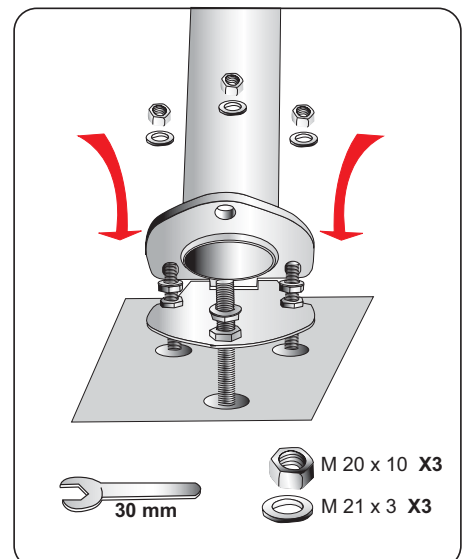
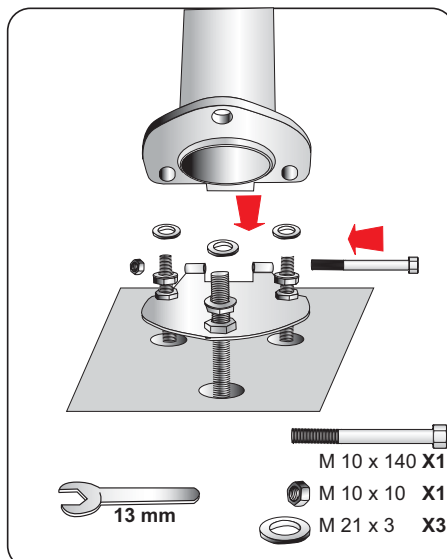
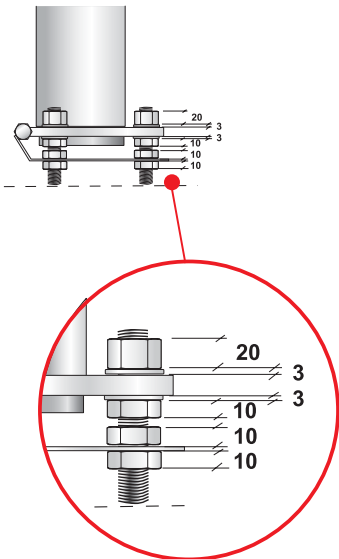
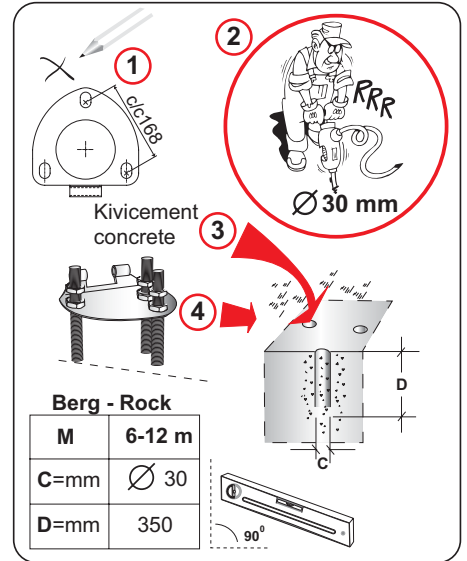
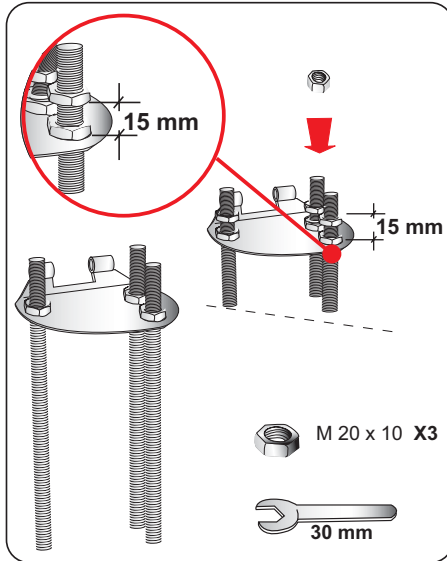
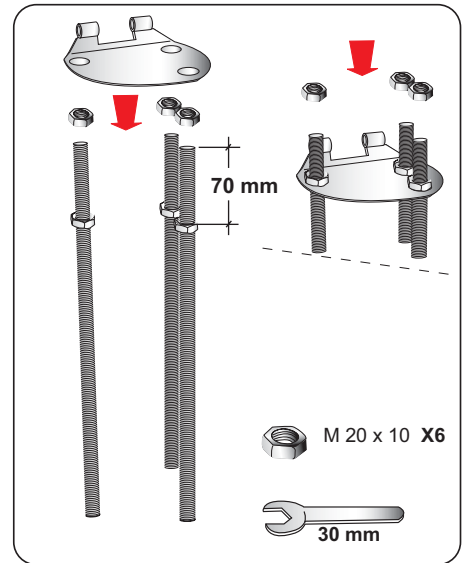
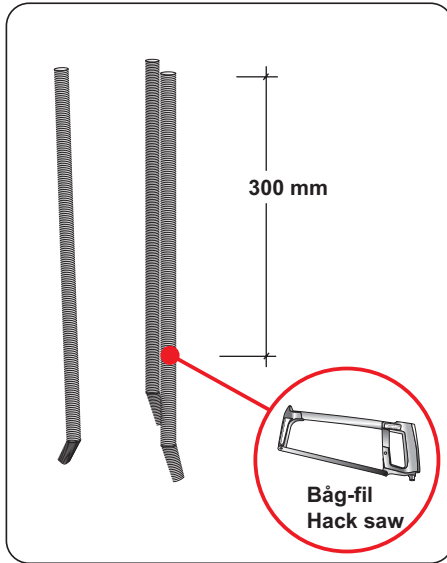
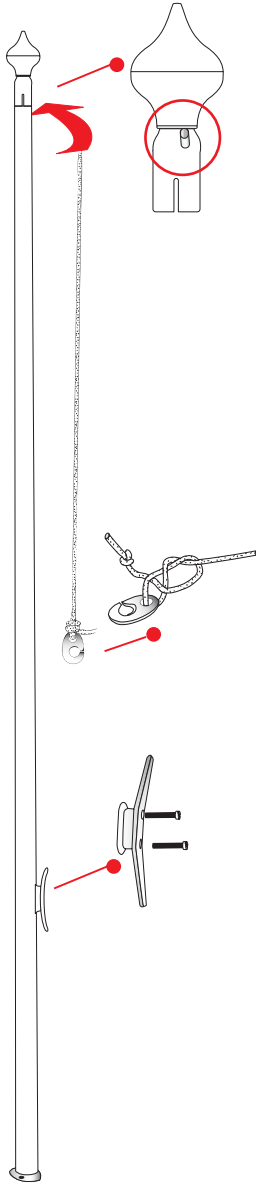
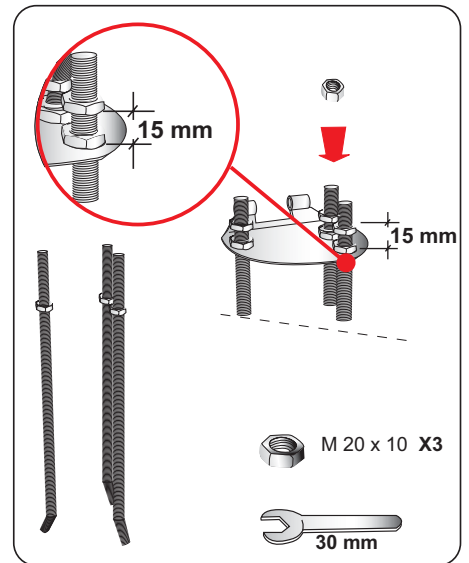
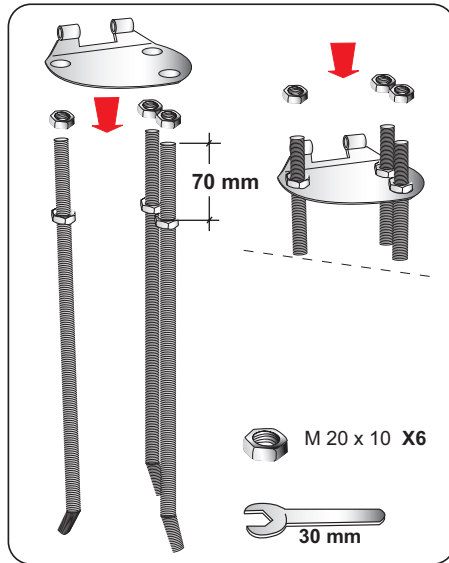
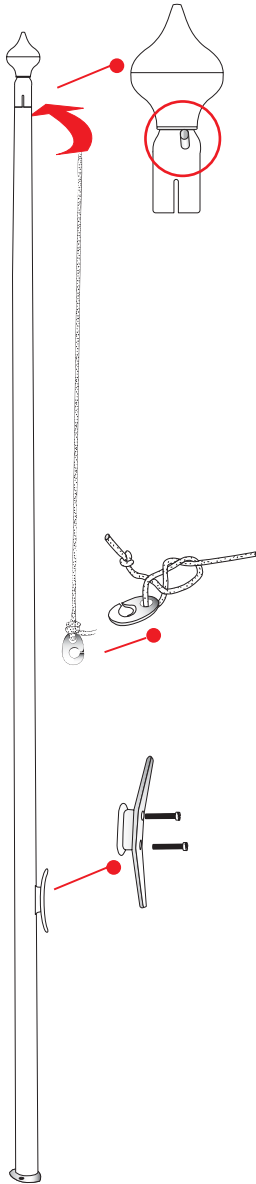


Nordic



Nordic



Ø 300-400 mm

A

Betong concrete

90°

B

2-300 mm

A

Mark - Ground

M	6-8 m	9 m	10 m	12 m
A= mm	300	300	400	400
B= mm	800	900	1000	1200

