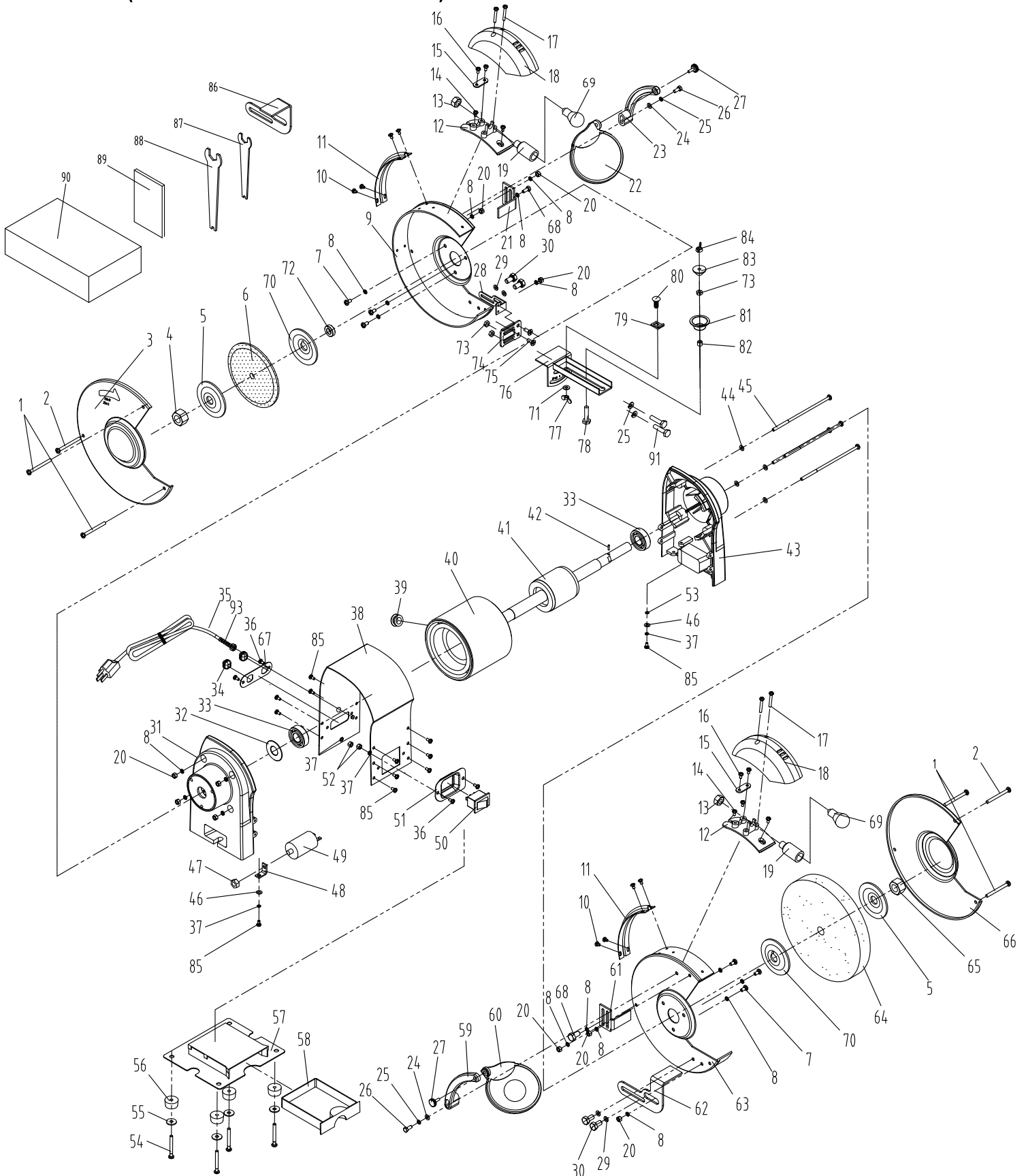


# 6" BENCH GRINDER PARTS DIAGRAM (WITH KNIFE GRINDING REST)



## GB602W PPL

Serial No.	Parts No.	Description	Specification	Qty
1	AL00000143	Philip screw	M5X46	4
2	AL00000106	Philip screw	M5X50	2
3	AL00000002	Left wheel cover		1
4	AL00000003	I type hex nut	M12Left	1
5	AL00000004	Grinder outer clamp		2
6	A-47195	Grinding wheel (A 60#)	φ150X6.4Xφ12.7	1
7	AL00000115	Philip screw	M5X10	6
8	AL00000132	Standard spring washer	washer 5	18
9	AL00000006	Left wheel guard (inner)		1
10	AL00000114	Little philip screw	M4X6	8
11	AL00000007	Cord press plate		2
12	AL00000008	Lamp base cover		2
13	AL00000009	Lamp holder retaining nut		2
14	AL00000102	Philip screw	M4X6	4
15	AL00000010	Strain relief		2
16	AL00000104	Philip screw	M4X10	4
17	AL00000105	Philip screw	M4X30	4
18	AL00000011	Lamp cover assy		2
19	AL00000012	Lamp assy		2
20	AL00000121	I type hex nut	M5	10
21	AL00000017	Left spark shield		1
22	AL00000016	Eyeshield assy		1
23	AL00000015	Left eyeshield mount rod		1
24	AL00000127	Plain washer	washer 6	2
25	AL00000133	Standard spring washer	washer 6	4
26	AL00000119	Hex bolt	M6X30	2
27	AL00000014	Eyeshield lock knot	M4X12	2
28	AL00000082	Left work rest for knife board		1
29	AL00000128	Flat washer	washer 8	4
30	AL00000118	Hex bolt	M8X10	4
31	AL00000028	Left end cap		1
32	AL00000027	wave spring washer	D35	1
33	AL00000100	Ball bearing	180202	2
34	AL00000026	Cord clip		2
35	AL00000152	Wire with plug		1
36	AL00000103	Philip screw	M4X8	4
37	AL00000131	Standard spring washer	washer 4	6
38	AL00000183	Motor housing		1
39	AL00000022	Wire bushing		1
40	AL00000185	Stator		1
41	AL00000020	Rotor		1
42	AL00000135	Roll pin	3X8	2
43	AL00000019	Right end cap		1
44	AL00000126	Plain washer	washer 5	4
45	AL00000113	Philip screw	M5X135	4
46	AL00000146	Plain washer	washer 4	2
47	AL00000122	I type hex nut	M8	1
48	AL00000029	Capacitor support		1
49	AL00000095	Capacitor	4uF/450V	1
50	AL00000141	Switch	KND2-12/2	1
51	AL00000031	Switch board		1
52	AL00000120	I type hex nut	M4	4
53	AL00000134	tooth locked washer	washer 4	1
54	AL00000109	Philip screw	M4X16	4
55	AL00000129	Big flat washer	washer 4	4
56	AL00000041	Rubber foot		4
57	AL00000040	Coolant tray plate assy		1
58	AL00000039	Coolant tray		1
59	AL00000038	Right eyeshield mount rod		1
60	AL00000037	Magnifying glass assy		1
61	AL00000036	Right spark shield		1
62	AL00000043	Right work rest		1
63	AL00000042	Right wheel guard(inner)		1
64	A-47210	Grinding wheel (WA 60#)	φ150X16Xφ12.7	1
65	AL00000035	I type hex nut	M12	1
66	AL00000034	Right wheel cover		1
67	AL00000192	Cord Clip Plate		1
68	AL00000115	Hex bolt	M5X10	2
69	AL00000013	Bulb	12V/10W	2
70	AL00000005	Grinder inner clamp		2
71	AL00000050	Flat washer	washer 10	1
72	AL00000001	Shaft sleeve		1
73	AL00000123	I type hex nut	M6	3
74	AL00000047	connector plate		1
75	AL00000048	Philip Sunk screw	M6X10	2
76	AL00000049	Knife board assy		1
77	AL00000124	Thumb nut	M8	1
78	AL00000117	Hex bolt	M6X40	1
79	AL00000051	Locating piece		1
80	AL00000052	Large oval head step screw	M8X20	1
81	AL00000054	Support cap		1
82	AL00000055	Spacer		1
83	AL00000053	tape bale		1
84	AL00000125	Thumb nut	M6	1
85	AL00000108	Philip screw	Zinc platingM4X8	12
86	AL00000018	Left work rest		1

87	AL00000045	Hex wrench I		1
88	AL00000044	Hex wrench II		1
89	AL00000167	MANUAL-ERO 8		1
90	AL00000046	Package		1
91	AL00000145	Hex bolt	M6X16	2
92	AL00000147	eyeshield		1
93	AL00000010	Strain relief		1