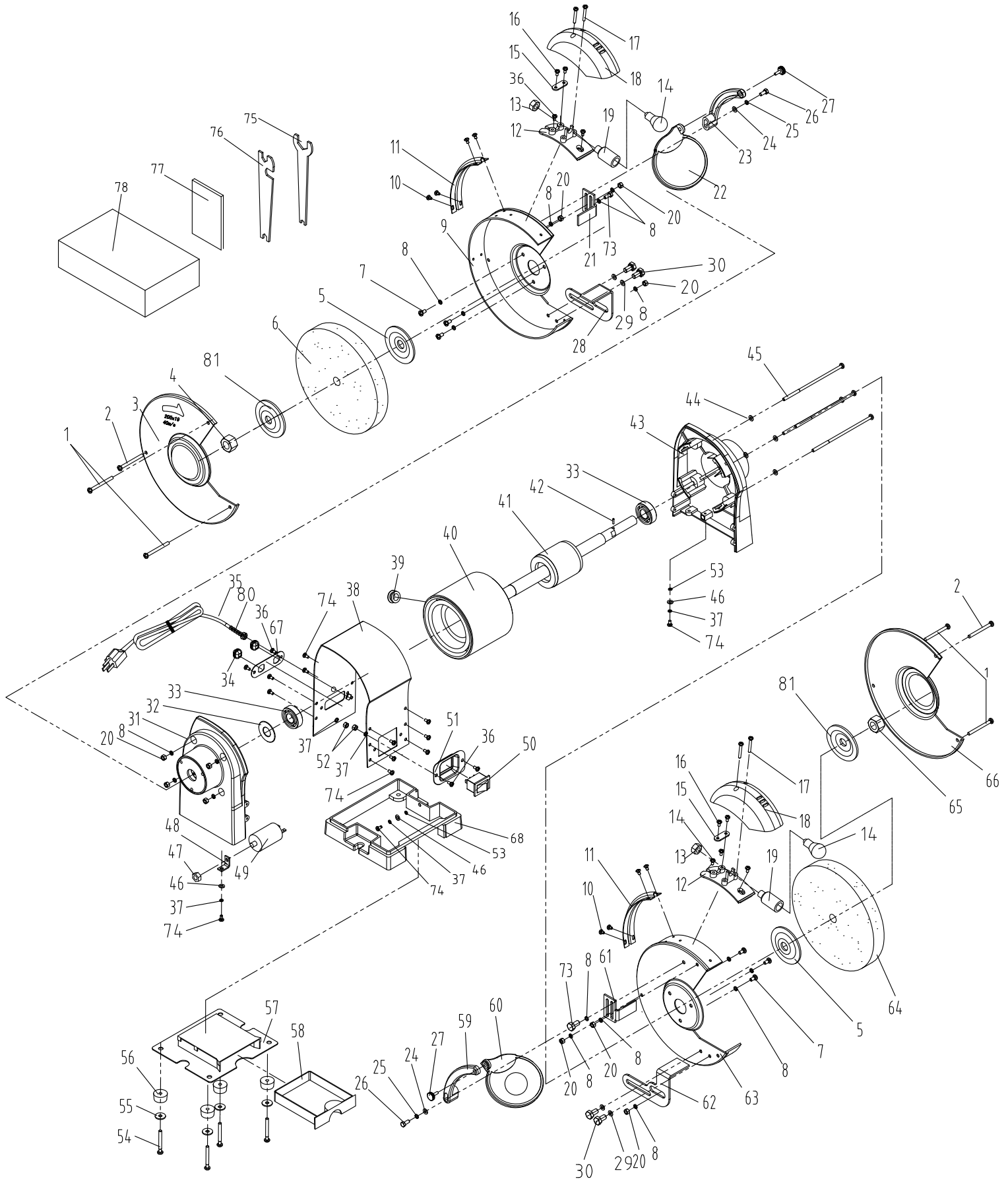


8" BENCH GRINDER PARTS DIAGRAM



GB801 PPL

Serial No.	Parts No.	Description	Specification	Qty
1	AL00000144	Philip screw	M5X51	4
2	AL00000107	Philip screw	M5X55	2
3	AL00000057	Left wheel cover		1
4	AL00000058	I type Hex nut	M16Left	1
5	AL00000182	Inner Grinder flange		2
6	A-47260	Grinding wheel(WA 60#)	φ 205X19X φ 15.88	1
7	AL00000111	Philip screw	M5X12	6
8	AL00000132	Standard spring washer	flat washer5	18
9	AL00000064	Left wheel guard (inner)		1
10	AL00000114	LittlePhilip screw	M4X6	8
11	AL00000065	Cord press clip		2
12	AL00000008	Lamp cover base		2
13	AL00000009	Lamp holder fixed nut		2
14	AL00000013	Bulb	12V/10W	2
15	AL00000010	Strain relief		2
16	AL00000104	Philip screw	M4X10	4
17	AL00000105	Philip screw	M4X30	4
18	AL00000011	Lamp cover assy		2
19	AL00000012	Lamp Assy		2
20	AL00000121	I type Hex nut	M5	10
21	AL00000066	Left spark shield		1
22	AL00000016	Eyeshield assy		1
23	AL00000015	Left eyeshield mounting rod		1
24	AL00000127	Flat Washer	flat washer6	2
25	AL00000133	Standard spring washer	flat washer6	2
26	AL00000119	Hex Bolt	M6X30	2
27	AL00000014	Eyeshield Locked knob	M4X12	2
28	AL00000067	Left work rest		1
29	AL00000128	Flat Washer	flat washer8	4
30	AL00000118	Hex Bolt	M8X10	4
31	AL00000074	Left end cap		1
32	AL00000073	wave spring washer	D47	1
33	AL00000101	ball bearing	180204	2
34	AL00000026	Cord clip		2
35	AL00000171	Wire with plug		1
36	AL00000103	Philip screw	M4X8	8
37	AL00000131	Standard spring washer	flat washer 4	7
38	AL00000184	Motor housing		1
39	AL00000022	Wire bushing		1
40	AL00000190	Stator		1
41	AL00000191	Rotor		1
42	AL00000135	Roll Pin	3X8	2
43	AL00000069	Right end cap		1
44	AL00000126	Flat Washer	flat washer5	4
45	AL00000068	Philip Screw	M5X142	4
46	AL00000146	Flat Washer	flat washer4	3
47	AL00000122	I type Hex nut	M8	1
48	AL00000029	Capacitor support		1
49	AL00000099	Capacitor	10uF/450V	1
50	AL00000141	Switch	KND2-12/2	1
51	AL00000031	Switch board		1
52	AL00000120	I type Hex nut	M4	4
53	AL00000134	Tooth Locked Washer	flat washer4	2
54	AL00000112	Philip Screw	M5X45	4
55	AL00000130	Big Flat Washer	flat washer5	4
56	AL00000083	Rubber foot		4
57	AL00000081	Coolant tray plate assy.		1
58	AL00000080	Coolant tray		1
59	AL00000038	Right eyeshield mounting rod		1
60	AL00000037	Magnifying glass Assy		1
61	AL00000079	Right spark shield		1
62	AL00000085	Right work rest		1
63	AL00000084	Right wheel guard(inner)		1
64	A-47254	Grinding wheel(GC 120#)	φ 205X19X φ 15.88	1
65	AL00000078	I type Hex nut	M16	1
66	AL00000077	Right wheel cover		1
67	AL00000192	Cord Clip Plate		1
68	AL00000076	Base		1
69	AL00000062	Outer Grinder flange		2
70	AL00000061	Counter Balance		4
71	AL00000060	Balance plate		2
72	AL00000059	Philip Screw	M5X5	2
73	AL00000115	Hex Bolt	M5X10	2
74	AL00000108	Philip Screw	ZINC plating M4X8	13
75	AL00000087	Hex wrench I		1
76	AL00000086	Hex wrench II		1
77	AL00000167	MANUAL-ERO 8		1
78	AL00000088	Package		1

79	AL00000147	EYESHIELD		1
80	AL00000180	Strain relief		1
81	AL00000181	Wheel Flange		2