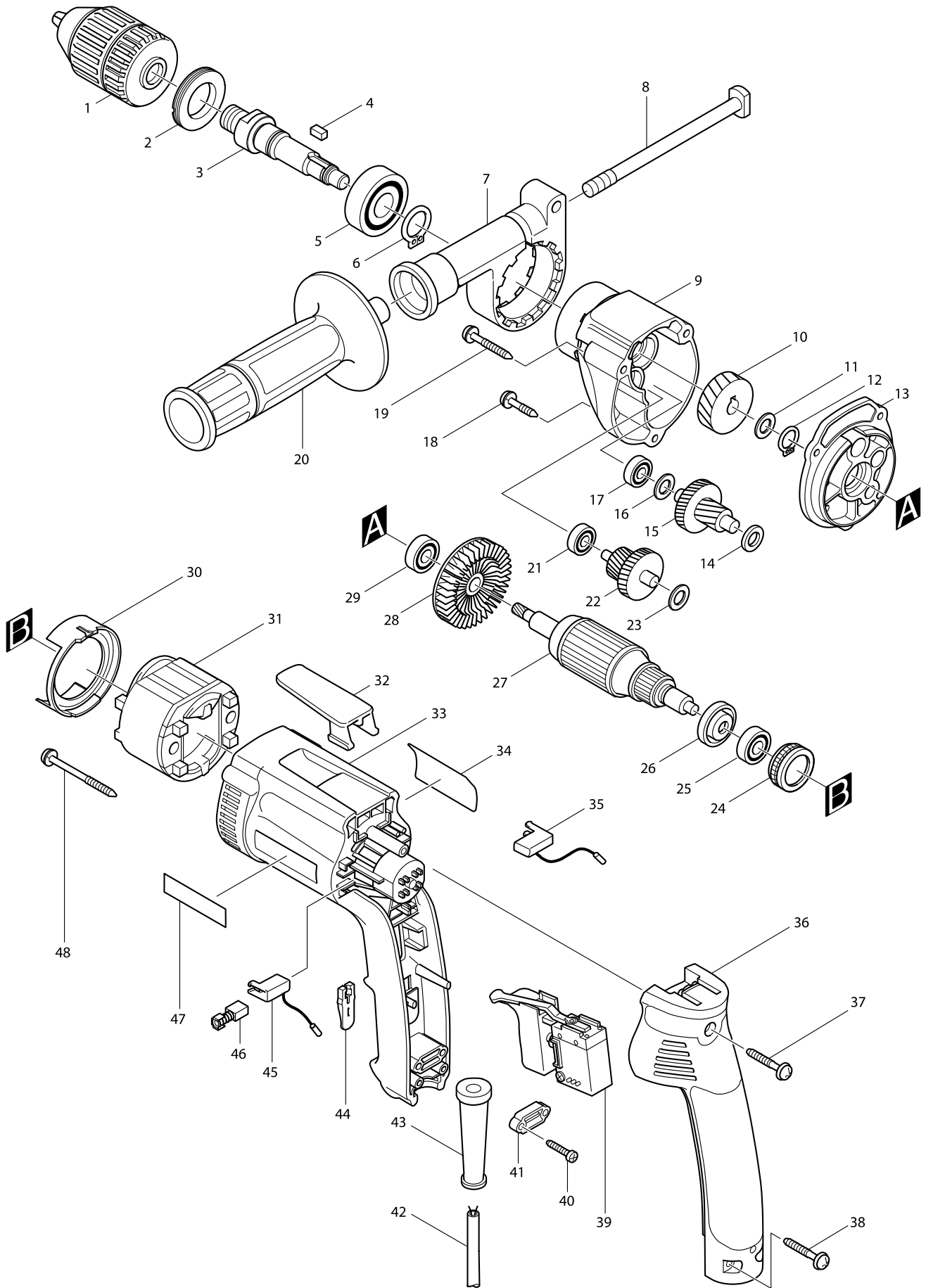


# Model No. DP4003 DRILL 13MM



# Model No. DP4003 DRILL 13MM

Item	Parts No.	Description	I/C	Qty	N/O	Opt. 1	Opt. 2	Note
001	192956-2	KEYLESS DRILL CHUCK		1				
002	285807-7	BEARING RETAINER 22-36		1				
003	324039-2	SPINDLE		1				
004	254202-2	KEY 4		1				
005	211206-7	BALL BEARING 6202LLB		1				
006	961055-9	RETAINING RING S-15		1				
007	317401-8	GRIP BASE		1				
008A_	266265-6	BOLT M8X195		1				
009	317397-3	GEAR HOUSING		1				
010	226529-0	HELICAL GEAR 26		1				
011	267143-3	FLAT WASHER 11		1				
012	961051-7	RETAINING RING S-11		1				
013	152639-6	GEAR HOUSING COVER COMPLETE		1				
C10	212004-2	NEEDLE BEARING 810		1				
C20	212016-5	NEEDLE BEARING 609		2				
014	253804-1	FLAT WASHER 6		1				
015	226138-5	GEAR COMPLETE 7-36		1				
016	253133-2	FLAT WASHER 7		1				
017	211021-9	BALL BEARING 607LLB		1				
018	266050-7	TAPPING SCREW 4X30		1				
019	266069-6	TAPPING SCREW 4X45		2				
020A_	152668-9	GRIP 36 COMPLETE		1				
021	211012-0	BALL BEARING 606ZZ		1				
022	226139-3	GEAR COMPLETE 16-34		1				
023	253804-1	FLAT WASHER 6		1				
024	421479-6	RUBBER RING 19		1				
025	211021-9	BALL BEARING 607LLB		1				
026	681636-0	INSULATION WASHER		1				
027A_	517358-5	ARMATURE ASS'Y 220-240V		1				
D10		INC. 25,26,28,29						
028	241873-4	FAN 55		1				
029	211031-6	BALL BEARING 608LLB		1				
030	417356-8	BAFFLE PLATE		1				
031A_	633468-1	FIELD 220-240V		1				
032	416996-9	HOOK		1	*			
032-1	417625-7	HOOK	X	1				
033	183270-7	MOTOR HOUSING SET		1				
D10		INC. 47						
034	852495-1	NAME PLATE DP4003		1				
035	643951-0	BRUSH HOLDER		1				
036	152641-9	HANDLE COVER COMPLETE		1				
C10	263002-9	RUBBER PIN 4		2				
037	265999-8	TAPPING SCREW 4X25		1				
038	265999-8	TAPPING SCREW 4X25		2				
039	651991-4	SWITCH C3MA-2L-L		1	*			
039-1	651991-4	SWITCH C3MA-2L-L	O	1				
040	265995-6	TAPPING SCREW 4X18		2				
041B_	687052-4	STRAIN RELIEF		1				

**Model No. DP4003 DRILL 13MM**

Item	Parts No.	Description	I/C	Qty	N/O	Opt. 1	Opt. 2	Note
042D_	665394-6	POWER SUPPLY CORD 1.0-2-2.5		1				
043	682559-5	CORD GUARD 8		1				
044	417358-4	SLIDE LEVER		1				
045	643948-9	BRUSH HOLDER		1				
046A_	191962-4	CARBON BRUSH CB-419		1				
047	819063-3	MAKITA LABEL		1				
048	266060-4	TAPPING SCREW 4X65		2				
049	442134-7	GASKET		1				
B01A_	134910-0	GRIP 36 ASS'Y		1				
D10		INC. 7,8,20						
E01B	824595-7	PLASTIC CARRYING CASE		1				
C10	417059-4	LATCH		2				
E02	645200-1	NOISE SUPPRESSOR		1	*			
E02-1	645105-5	NOISE SUPPRESSOR	<	1				
E03	646343-2	LINE COIL		1	*			