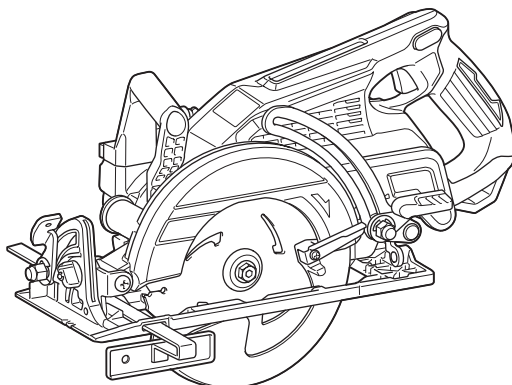
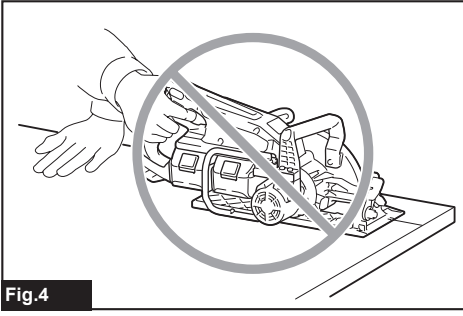
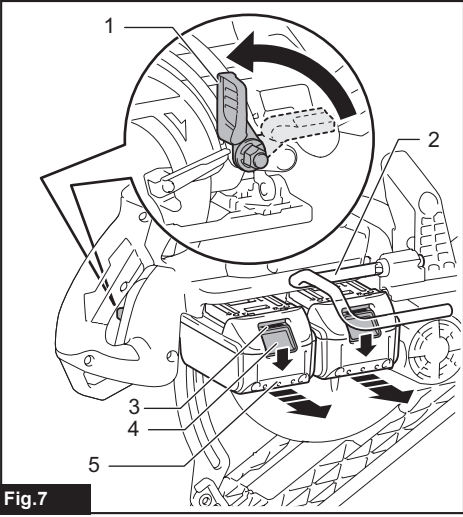
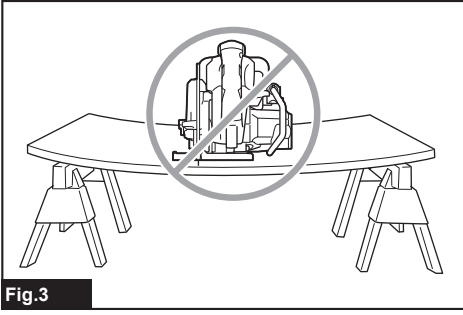
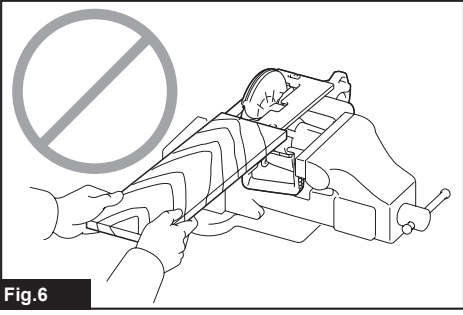
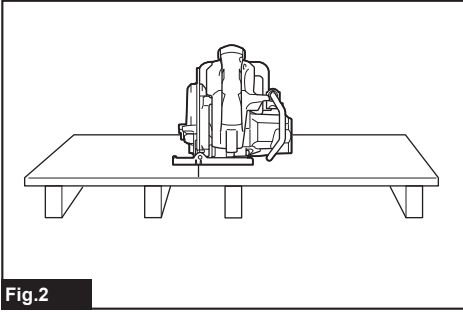
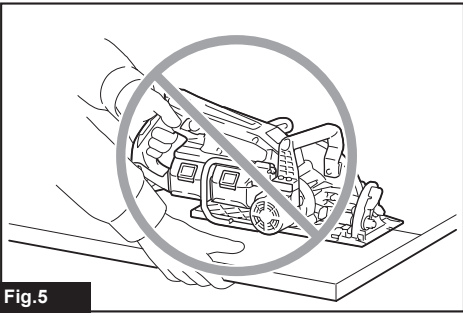
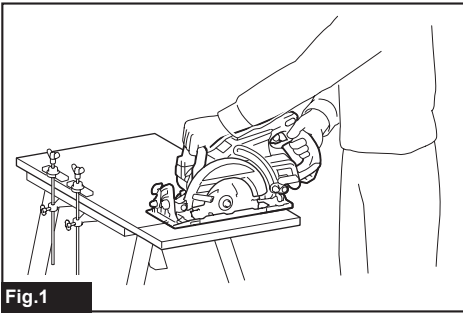


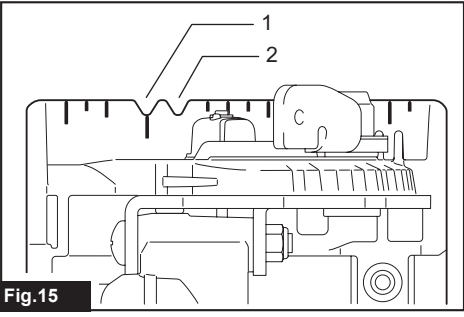
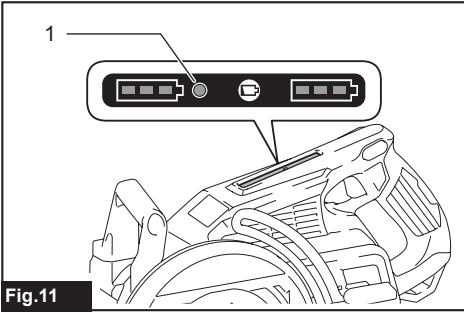
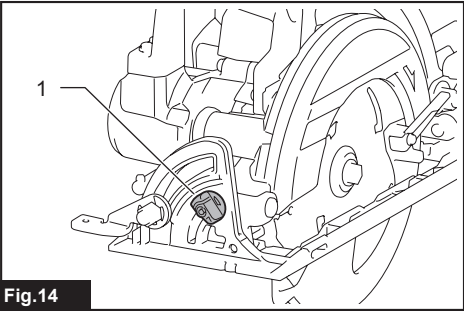
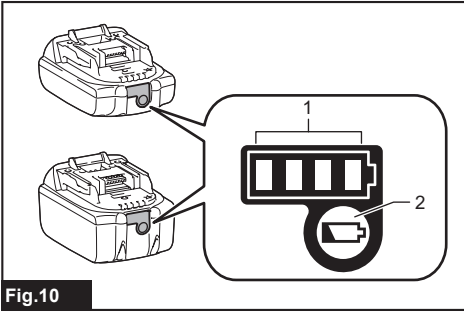
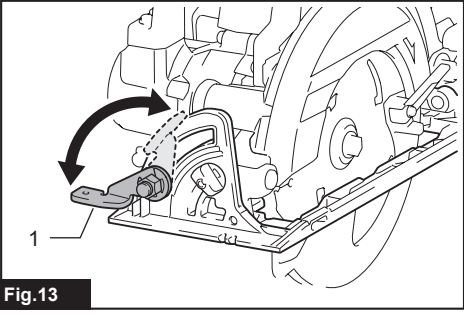
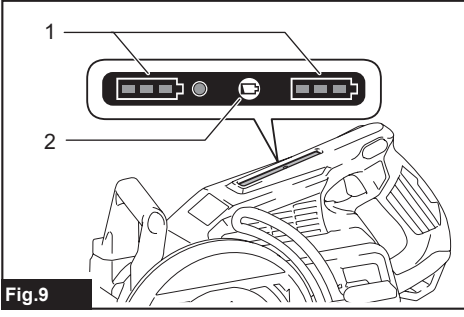
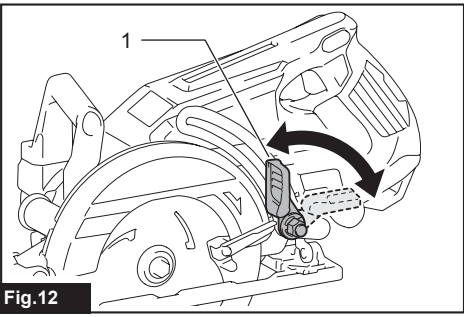
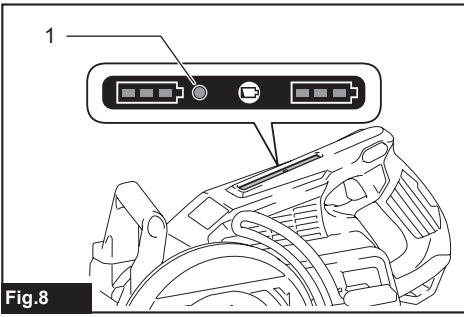


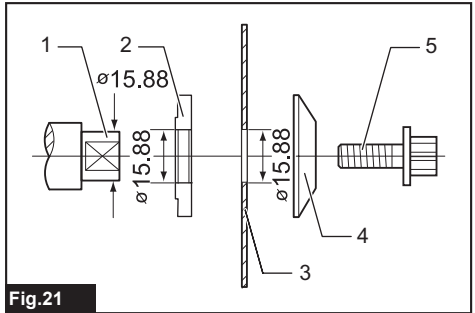
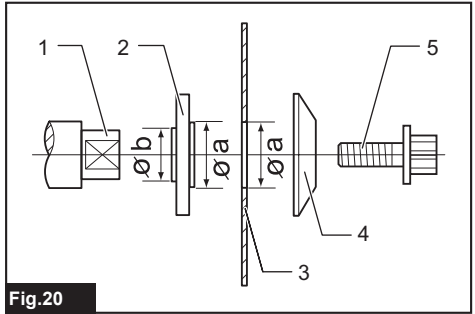
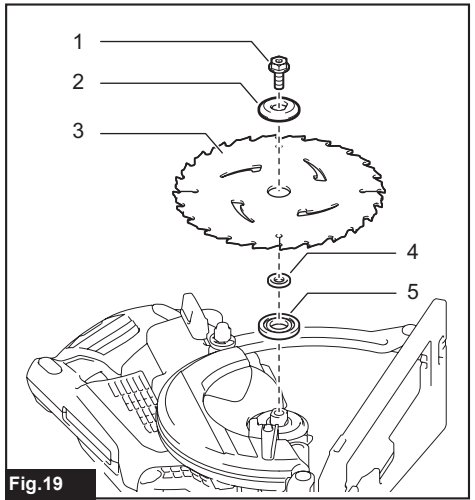
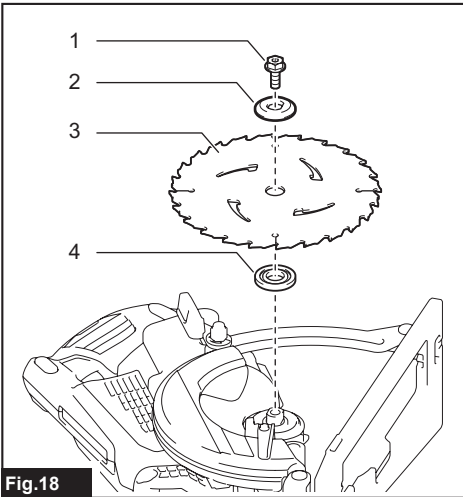
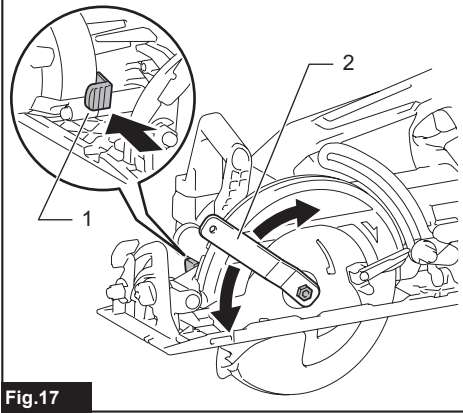
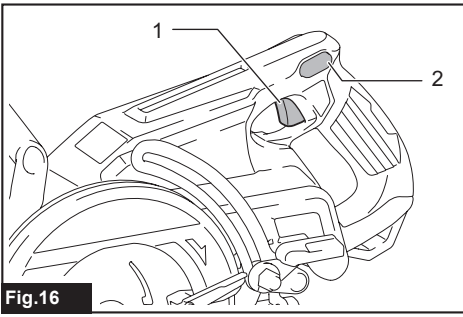
EN	Cordless Rear Handle Saw	INSTRUCTION MANUAL	7
SV	Sladdlös såg med handtag baktill	BRUKSANVISNING	15
NO	Batteridrevet sirkelsag	BRUKSANVISNING	23
FI	Akkukäyttöinen takakahvallinen saha	KÄYTTÖOHJE	31
LV	Bezvadu motorzāģis ar aizmugures rokturi	LIETOŠANAS INSTRUKCIJA	39
LT	Akumuliatorinis pjūklas su galine rankena	NAUDOJIMO INSTRUKCIJA	47
ET	Juhtmeta tagumise käepidemega saag	KASUTUSJUHEND	55
RU	Аккумуляторная дисковая пила	РУКОВОДСТВО ПО ЭКСПЛУАТАЦИИ	63

DRS780









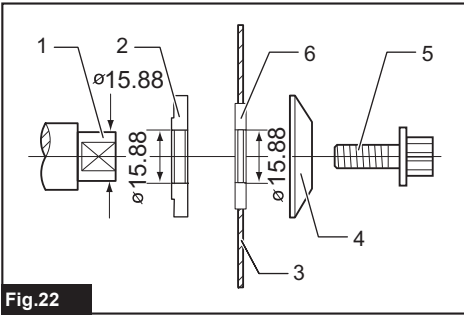


Fig.22

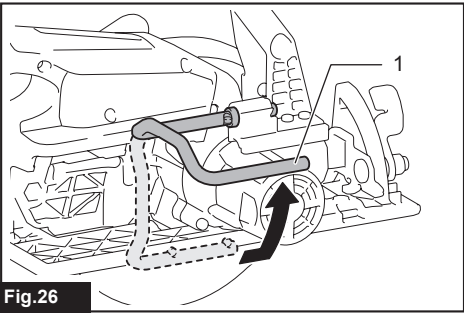


Fig.26

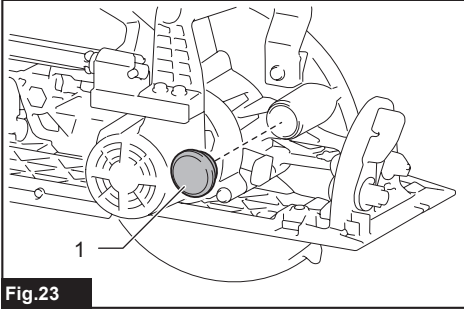


Fig.23

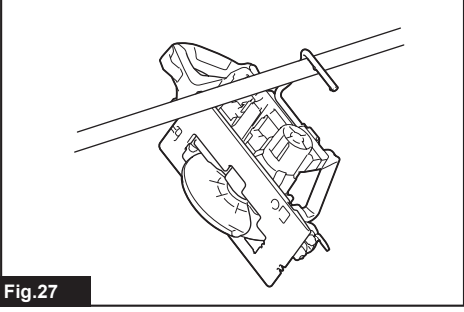


Fig.27

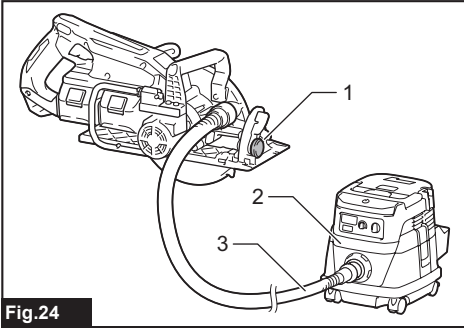


Fig.24

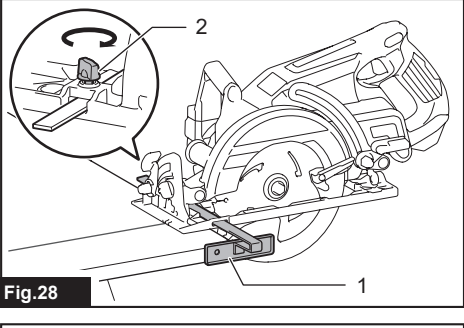


Fig.28

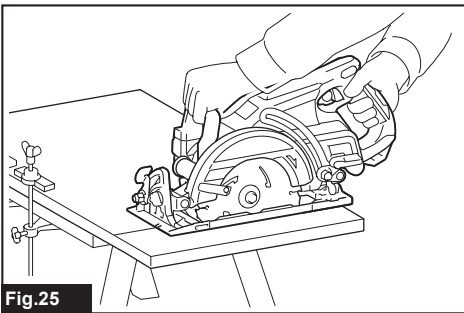


Fig.25

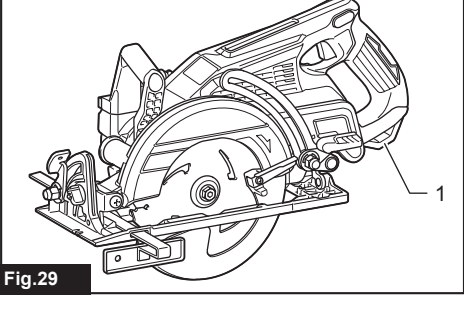


Fig.29

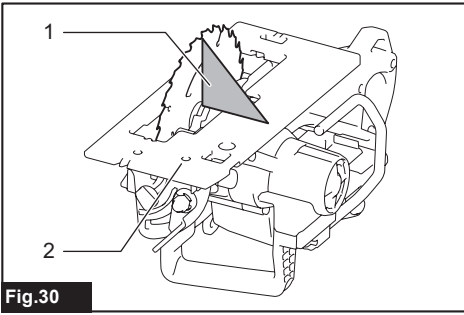


Fig.30

SPECIFICATIONS

Model:		DRS780
Blade diameter		185 mm
Max. Cutting depth	at 0°	65 mm
	at 45° bevel	45 mm
	at 53° bevel	38 mm
No load speed		5,100 min ⁻¹
Overall length		446 mm
Rated voltage		D.C. 36 V
Net weight		5.0 - 5.7 kg

- Due to our continuing program of research and development, the specifications herein are subject to change without notice.
- Specifications may differ from country to country.
- The weight may differ depending on the attachment(s), including the battery cartridge. The lightest and heaviest combination, according to EPTA-Procedure 01/2014, are shown in the table.

Applicable battery cartridge and charger

Battery cartridge	BL1815N / BL1820 / BL1820B / BL1830 / BL1830B / BL1840 / BL1840B / BL1850 / BL1850B / BL1860B
Charger	DC18RC / DC18RD / DC18RE / DC18SD / DC18SE / DC18SF

- Some of the battery cartridges and chargers listed above may not be available depending on your region of residence.

⚠WARNING: Only use the battery cartridges and chargers listed above. Use of any other battery cartridges and chargers may cause injury and/or fire.

Intended use

The tool is intended for performing lengthways and crossways straight cuts and mitre cuts with angles in wood while in firm contact with the workpiece.

Noise

The typical A-weighted noise level determined according to EN62841-2-5:

Sound pressure level (L_{pA}): 92 dB(A)

Sound power level (L_{WA}): 103 dB (A)

Uncertainty (K): 3 dB(A)

NOTE: The declared noise emission value(s) has been measured in accordance with a standard test method and may be used for comparing one tool with another.

NOTE: The declared noise emission value(s) may also be used in a preliminary assessment of exposure.

⚠WARNING: Wear ear protection.

⚠WARNING: The noise emission during actual use of the power tool can differ from the declared value(s) depending on the ways in which the tool is used especially what kind of workpiece is processed.

⚠WARNING: Be sure to identify safety measures to protect the operator that are based on an estimation of exposure in the actual conditions of use (taking account of all parts of the operating cycle such as the times when the tool is switched off and when it is running idle in addition to the trigger time).

Vibration

The vibration total value (tri-axial vector sum) determined according to EN62841-2-5:

Work mode: cutting wood

Vibration emission ($a_{h,w}$): 2.5 m/s² or less

Uncertainty (K): 1.5 m/s²

NOTE: The declared vibration total value(s) has been measured in accordance with a standard test method and may be used for comparing one tool with another.

NOTE: The declared vibration total value(s) may also be used in a preliminary assessment of exposure.

⚠ WARNING: The vibration emission during actual use of the power tool can differ from the declared value(s) depending on the ways in which the tool is used especially what kind of workpiece is processed.

⚠ WARNING: Be sure to identify safety measures to protect the operator that are based on an estimation of exposure in the actual conditions of use (taking account of all parts of the operating cycle such as the times when the tool is switched off and when it is running idle in addition to the trigger time).

EC Declaration of Conformity

For European countries only

The EC declaration of conformity is included as Annex A to this instruction manual.

SAFETY WARNINGS

General power tool safety warnings

⚠ WARNING: Read all safety warnings, instructions, illustrations and specifications provided with this power tool. Failure to follow all instructions listed below may result in electric shock, fire and/or serious injury.

Save all warnings and instructions for future reference.

The term "power tool" in the warnings refers to your mains-operated (corded) power tool or battery-operated (cordless) power tool.

Cordless circular saw safety warnings

Cutting procedures

- ⚠ DANGER:** Keep hands away from cutting area and the blade. Keep your second hand on auxiliary handle, or motor housing. If both hands are holding the saw, they cannot be cut by the blade.
- Do not reach underneath the workpiece.** The guard cannot protect you from the blade below the workpiece.
- Adjust the cutting depth to the thickness of the workpiece.** Less than a full tooth of the blade teeth should be visible below the workpiece.
- Never hold the workpiece in your hands or across your leg while cutting. Secure the workpiece to a stable platform.** It is important to support the work properly to minimise body exposure, blade binding, or loss of control.

► Fig.1

- Hold the power tool by insulated gripping surfaces, when performing an operation where the cutting tool may contact hidden wiring.** Contact with a "live" wire will also make exposed metal parts of the power tool "live" and could give the operator an electric shock.

- When ripping, always use a rip fence or straight edge guide.** This improves the accuracy of cut and reduces the chance of blade binding.
- Always use blades with correct size and shape (diamond versus round) of arbour holes.** Blades that do not match the mounting hardware of the saw will run off-centre, causing loss of control.
- Never use damaged or incorrect blade washers or bolt.** The blade washers and bolt were specially designed for your saw, for optimum performance and safety of operation.

Kickback causes and related warnings

- kickback is a sudden reaction to a pinched, jammed or misaligned saw blade, causing an uncontrolled saw to lift up and out of the workpiece toward the operator;
- when the blade is pinched or jammed tightly by the kerf closing down, the blade stalls and the motor reaction drives the unit rapidly back toward the operator;
- if the blade becomes twisted or misaligned in the cut, the teeth at the back edge of the blade can dig into the top surface of the wood causing the blade to climb out of the kerf and jump back toward the operator.

Kickback is the result of saw misuse and/or incorrect operating procedures or conditions and can be avoided by taking proper precautions as given below.

- Maintain a firm grip with both hands on the saw and position your arms to resist kickback forces. Position your body to either side of the blade, but not in line with the blade.** Kickback could cause the saw to jump backwards, but kickback forces can be controlled by the operator, if proper precautions are taken.
 - When blade is binding, or when interrupting a cut for any reason, release the trigger and hold the saw motionless in the material until the blade comes to a complete stop. Never attempt to remove the saw from the work or pull the saw backward while the blade is in motion or kickback may occur.** Investigate and take corrective actions to eliminate the cause of blade binding.
 - When restarting a saw in the workpiece, centre the saw blade in the kerf so that the saw teeth are not engaged into the material.** If a saw blade binds, it may walk up or kickback from the workpiece as the saw is restarted.
 - Support large panels to minimise the risk of blade pinching and kickback.** Large panels tend to sag under their own weight. Supports must be placed under the panel on both sides, near the line of cut and near the edge of the panel.
- Fig.2
► Fig.3
- Do not use dull or damaged blades.** Unsharpened or improperly set blades produce narrow kerf causing excessive friction, blade binding and kickback.
 - Blade depth and bevel adjusting locking levers must be tight and secure before making the cut.** If blade adjustment shifts while cutting, it may cause binding and kickback.

7. **Use extra caution when sawing into existing walls or other blind areas.** The protruding blade may cut objects that can cause kickback.
8. **ALWAYS hold the tool firmly with both hands. NEVER place your hand, leg or any part of your body under the tool base or behind the saw, especially when making cross-cuts.** If kickback occurs, the saw could easily jump backwards over your hand, leading to serious personal injury.

► Fig.4

9. **Never force the saw. Push the saw forward at a speed so that the blade cuts without slowing.** Forcing the saw can cause uneven cuts, loss of accuracy, and possible kickback.

Lower guard function

1. **Check the lower guard for proper closing before each use. Do not operate the saw if the lower guard does not move freely and close instantly. Never clamp or tie the lower guard into the open position.** If the saw is accidentally dropped, the lower guard may be bent. Raise the lower guard with the retracting handle and make sure it moves freely and does not touch the blade or any other part, in all angles and depths of cut.
2. **Check the operation of the lower guard spring. If the guard and the spring are not operating properly, they must be serviced before use.** Lower guard may operate sluggishly due to damaged parts, gummy deposits, or a build-up of debris.
3. **The lower guard may be retracted manually only for special cuts such as "plunge cuts" and "compound cuts". Raise the lower guard by the retracting handle and as soon as the blade enters the material, the lower guard must be released.** For all other sawing, the lower guard should operate automatically.
4. **Always observe that the lower guard is covering the blade before placing the saw down on bench or floor.** An unprotected, coasting blade will cause the saw to walk backwards, cutting whatever is in its path. Be aware of the time it takes for the blade to stop after switch is released.
5. **To check lower guard, open lower guard by hand, then release and watch guard closure. Also check to see that retracting handle does not touch tool housing.** Leaving blade exposed is VERY DANGEROUS and can lead to serious personal injury.

Additional safety warnings

1. **Use extra caution when cutting damp wood, pressure treated lumber, or wood containing knots.** Maintain smooth advancement of tool without decrease in blade speed to avoid overheating the blade tips.
2. **Do not attempt to remove cut material when blade is moving. Wait until blade stops before grasping cut material.** Blades coast after turn off.
3. **Avoid cutting nails. Inspect for and remove all nails from lumber before cutting.**
4. **Place the wider portion of the saw base on that part of the workpiece which is solidly supported, not on the section that will fall off when the cut is made. If the workpiece is short or small, clamp it down. DO NOT TRY TO HOLD SHORT PIECES BY HAND!**

► Fig.5

5. **Before setting the tool down after completing a cut, be sure that the guard has closed and the blade has come to a complete stop.**
6. **Never attempt to saw with the circular saw held upside down in a vise. This is extremely dangerous and can lead to serious accidents.**

► Fig.6

7. **Some material contains chemicals which may be toxic. Take caution to prevent dust inhalation and skin contact. Follow material supplier safety data.**
8. **Do not stop the blades by lateral pressure on the saw blade.**
9. **Do not use any abrasive wheels.**
10. **Only use the saw blade with the diameter that is marked on the tool or specified in the manual.** Use of an incorrectly sized blade may affect the proper guarding of the blade or guard operation which could result in serious personal injury.
11. **Keep blade sharp and clean.** Gum and wood pitch hardened on blades slows saw and increases potential for kickback. Keep blade clean by first removing it from tool, then cleaning it with gum and pitch remover, hot water or kerosene. Never use gasoline.
12. **Wear a dust mask and hearing protection when use the tool.**
13. **Always use the saw blade intended for cutting the material that you are going to cut.**
14. **Only use the saw blades that are marked with a speed equal or higher than the speed marked on the tool.**
15. **(For European countries only) Always use the blade which conforms to EN847-1.**

SAVE THESE INSTRUCTIONS.

⚠WARNING: DO NOT let comfort or familiarity with product (gained from repeated use) replace strict adherence to safety rules for the subject product. MISUSE or failure to follow the safety rules stated in this instruction manual may cause serious personal injury.

Important safety instructions for battery cartridge

1. **Before using battery cartridge, read all instructions and cautionary markings on (1) instructions charger, (2) battery, and (3) product using battery.**
2. **Do not disassemble battery cartridge.**
3. **If operating time has become excessively shorter, stop operating immediately. It may result in a risk of overheating, possible burns and even an explosion.**
4. **If electrolyte gets into your eyes, rinse them out with clear water and seek medical attention right away. It may result in loss of your eyesight.**

5. **Do not short the battery cartridge:**
 - (1) **Do not touch the terminals with any conductive material.**
 - (2) **Avoid storing battery cartridge in a container with other metal objects such as nails, coins, etc.**
 - (3) **Do not expose battery cartridge to water or rain.**

A battery short can cause a large current flow, overheating, possible burns and even a breakdown.

6. **Do not store the tool and battery cartridge in locations where the temperature may reach or exceed 50 °C (122 °F).**
7. **Do not incinerate the battery cartridge even if it is severely damaged or is completely worn out. The battery cartridge can explode in a fire.**
8. **Be careful not to drop or strike battery.**
9. **Do not use a damaged battery.**
10. **The contained lithium-ion batteries are subject to the Dangerous Goods Legislation requirements.**

For commercial transports e.g. by third parties, forwarding agents, special requirement on packaging and labeling must be observed.

For preparation of the item being shipped, consulting an expert for hazardous material is required. Please also observe possibly more detailed national regulations.

Tape or mask off open contacts and pack up the battery in such a manner that it cannot move around in the packaging.

11. **Follow your local regulations relating to disposal of battery.**
12. **Use the batteries only with the products specified by Makita.** Installing the batteries to non-compliant products may result in a fire, excessive heat, explosion, or leak of electrolyte.

SAVE THESE INSTRUCTIONS.

⚠ CAUTION: Only use genuine Makita batteries. Use of non-genuine Makita batteries, or batteries that have been altered, may result in the battery bursting causing fires, personal injury and damage. It will also void the Makita warranty for the Makita tool and charger.

Tips for maintaining maximum battery life

1. **Charge the battery cartridge before completely discharged. Always stop tool operation and charge the battery cartridge when you notice less tool power.**
2. **Never recharge a fully charged battery cartridge. Overcharging shortens the battery service life.**
3. **Charge the battery cartridge with room temperature at 10 °C - 40 °C (50 °F - 104 °F). Let a hot battery cartridge cool down before charging it.**
4. **Charge the battery cartridge if you do not use it for a long period (more than six months).**

FUNCTIONAL DESCRIPTION

⚠ CAUTION: Always be sure that the tool is switched off and the battery cartridge is removed before adjusting or checking function on the tool.

Installing or removing battery cartridge

⚠ CAUTION: Always switch off the tool before installing or removing of the battery cartridge.

⚠ CAUTION: Hold the tool and the battery cartridge firmly when installing or removing battery cartridge. Failure to hold the tool and the battery cartridge firmly may cause them to slip off your hands and result in damage to the tool and battery cartridge and a personal injury.

⚠ CAUTION: Always bring down the base when installing/removing the batteries. Be careful not to pinch your fingers.

⚠ CAUTION: Do not use the battery adapter with the circular saw. The cable of the battery adapter may hinder the operation and result in personal injury.

► Fig.7: 1. Lever 2. Hook 3. Red indicator 4. Button 5. Battery cartridge

Before removing the battery cartridge, lift the hook up and loosen the lever for depth adjustment to lower the tool base. Then slide the battery from the tool while sliding the button on the front of the cartridge.

To install the battery cartridge, align the tongue on the battery cartridge with the groove in the housing and slip it into place. Insert it all the way until it locks in place with a little click. If you can see the red indicator on the upper side of the button, it is not locked completely.

⚠ CAUTION: Always install the battery cartridge fully until the red indicator cannot be seen. If not, it may accidentally fall out of the tool, causing injury to you or someone around you.

⚠ CAUTION: Do not install the battery cartridge forcibly. If the cartridge does not slide in easily, it is not being inserted correctly.

NOTE: The tool does not work with only one battery cartridge.

Tool / battery protection system

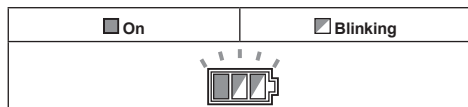
The tool is equipped with a tool/battery protection system. This system automatically cuts off power to the motor to extend tool and battery life. The tool will automatically stop during operation if the tool or battery is placed under one of the following conditions.

Overload protection

When the tool is operated in a manner that causes it to draw an abnormally high current, the tool automatically stops. In this situation, turn the tool off and stop the application that caused the tool to become overloaded. Then turn the tool on to restart.

Overheat protection

When the tool is overheated, the tool stops automatically, and the battery indicator blink about 60 seconds. In this situation, let the tool cool down before turning the tool on again.



Overload alert

If the tool is operated with excessive load, the mode indicator will blink in green. The mode indicator stops blinking and then lights up or turns off if you reduce the load on the tool.

► **Fig.8:** 1. Mode indicator

Overdischarge protection

When the battery capacity becomes low, the tool stops automatically. If the product does not operate even when the switches are operated, remove the batteries from the tool and charge the batteries.

Indicating the remaining battery capacity

► **Fig.9:** 1. Battery indicator 2. Check button

Press the check button to indicate the remaining battery capacities. The battery indicators correspond to each battery.

Battery indicator status			Remaining battery capacity
<input checked="" type="checkbox"/> On	<input type="checkbox"/> Off	<input checked="" type="checkbox"/> Blinking	
			50% to 100%
			20% to 50%
			0% to 20%
			Charge the battery

Indicating the remaining battery capacity

Only for battery cartridges with the indicator

► **Fig.10:** 1. Indicator lamps 2. Check button

Press the check button on the battery cartridge to indicate the remaining battery capacity. The indicator lamps light up for a few seconds.

Indicator lamps			Remaining capacity
<input checked="" type="checkbox"/> Lighted	<input type="checkbox"/> Off	<input checked="" type="checkbox"/> Blinking	
			75% to 100%
			50% to 75%
			25% to 50%
			0% to 25%
			Charge the battery.
			The battery may have malfunctioned.

NOTE: Depending on the conditions of use and the ambient temperature, the indication may differ slightly from the actual capacity.

Automatic speed change function

This tool has "high speed mode" and "high torque mode".

The tool automatically changes the operation mode depending on the work load. When the work load is low, the tool will run in the "high speed mode" for quicker cutting operation. When the work load is high, the tool will run in the "high torque mode" for powerful cutting operation.

► **Fig.11:** 1. Mode indicator

The mode indicator lights up when the tool is running in "high torque mode".

Mode indicator status		Operation mode
<input checked="" type="checkbox"/> On	<input type="checkbox"/> Off	
		High speed mode
		High torque mode

Adjusting depth of cut

⚠ CAUTION: After adjusting the depth of cut, always tighten the lever securely.

Loosen the lever on the depth guide and move the base up or down. At the desired depth of cut, secure the base by tightening the lever. For cleaner, safer cuts, set cut depth so that no more than one blade tooth projects below workpiece. Using proper cut depth helps to reduce potential for dangerous KICKBACKS which can cause personal injury.

► Fig.12: 1. Lever

Bevel cutting

⚠ CAUTION: After adjusting the bevel angle, always tighten the lever securely.

Loosen the lever and set for the desired angle by tilting accordingly, then tighten the lever securely.

► Fig.13: 1. Lever

Positive stopper

The positive stopper is useful for setting the designated angle quickly. Turn the positive stopper so that the arrow on it points your desired bevel angle (22.5°/45°/53°). Loosen the lever and then tilt the tool base until it stops. The position where the tool base stops is the angle you set with the positive stopper. Tighten the lever with the tool base at this position.

► Fig.14: 1. Positive stopper

Sighting

For straight cuts, align the 0° position on the front of the base with your cutting line. For 45° bevel cuts, align the 45° position with it.

► Fig.15: 1. Cutting line (0° position) 2. Cutting line (45° position)

Switch action

⚠ WARNING: Before installing the battery cartridge into the tool, always check to see that the switch trigger actuates properly and returns to the "OFF" position when released.

⚠ WARNING: NEVER defeat the lock-off button by taping down or some other means. A switch with a negated lock-off button may result in unintentional operation and serious personal injury.

⚠ WARNING: NEVER use the tool if it runs when you simply pull the switch trigger without pressing the lock-off button. A switch in need of repair may result in unintentional operation and serious personal injury. Return tool to a Makita service center for proper repairs BEFORE further usage.

To prevent the switch trigger from being accidentally pulled, a lock-off button is provided. To start the tool, depress the lock-off button and pull the switch trigger. Release the switch trigger to stop.

► Fig.16: 1. Switch trigger 2. Lock-off button

NOTICE: Do not pull the switch trigger hard without pressing in the lock-off button. This can cause switch breakage.

ASSEMBLY

⚠ CAUTION: Always be sure that the tool is switched off and the battery cartridge is removed before carrying out any work on the tool.

Removing or installing circular saw blade

⚠ CAUTION: Be sure the circular saw blade is installed with teeth pointing up at the front of the tool.

⚠ CAUTION: Use only the Makita wrench to install or remove the circular saw blade.

To remove the circular saw blade, press the shaft lock fully so that the circular saw blade cannot revolve and use the wrench to loosen the hex bolt clockwise. Then remove the hex bolt, ring (country specific), outer flange and circular saw blade.

► Fig.17: 1. Shaft lock 2. Wrench

For tool without the ring

► Fig.18: 1. Hex bolt 2. Outer flange 3. Circular saw blade 4. Inner flange

For tool with the ring

► Fig.19: 1. Hex bolt 2. Outer flange 3. Circular saw blade 4. Ring 5. Inner flange

To install the circular saw blade, follow the removal procedure in reverse.

For tool with the inner flange for other than 15.88 mm hole-diameter saw blade

The inner flange has a certain diameter protrusion on one side of it and a different diameter protrusion on the other side. Choose a correct side on which protrusion fits into the saw blade hole perfectly. Mount the inner flange onto the mounting shaft so that the correct side of protrusion on the inner flange faces outward and then place saw blade and outer flange.

► Fig.20: 1. Mounting shaft 2. Inner flange 3. Circular saw blade 4. Outer flange 5. Hex bolt

⚠ WARNING: BE SURE TO TIGHTEN THE HEX BOLT COUNTERCLOCKWISE SECURELY. Also be careful not to tighten the bolt forcibly. Slipping your hand from the hex wrench can cause a personal injury.

⚠ WARNING: Make sure that the protrusion "a" on the inner flange that is positioned outside fits into the saw blade hole "a" perfectly. Mounting the blade on the wrong side can result in the dangerous vibration.

For tool with the inner flange for a 15.88 mm hole-diameter saw blade (country specific)

Mount the inner flange with its recessed side facing outward onto the mounting shaft and then place circular saw blade (with the ring attached if needed), outer flange and hex bolt.

For tool without the ring

► **Fig.21:** 1. Mounting shaft 2. Inner flange 3. Circular saw blade 4. Outer flange 5. Hex bolt

For tool with the ring

► **Fig.22:** 1. Mounting shaft 2. Inner flange 3. Circular saw blade 4. Outer flange 5. Hex bolt 6. Ring

⚠ WARNING: BE SURE TO TIGHTEN THE HEX BOLT COUNTERCLOCKWISE SECURELY. Also be careful not to tighten the bolt forcibly. Slipping your hand from the hex wrench can cause a personal injury.

⚠ WARNING: If the ring is needed to mount the blade onto the spindle, always be sure that the correct ring for the blade's arbor hole you intend to use is installed between the inner and the outer flanges. Use of the incorrect arbor hole ring may result in the improper mounting of the blade causing blade movement and severe vibration resulting in possible loss of control during operation and in serious personal injury.

Blade guard cleaning

When changing the circular saw blade, make sure to also clean the upper and lower blade guards of accumulated sawdust as discussed in the Maintenance section. Such efforts do not replace the need to check lower guard operation before each use.

Connecting a vacuum cleaner

NOTE: In some countries, the tool does not have the dust nozzle.

When you wish to perform clean cutting operation, connect a Makita vacuum cleaner to your tool.

► **Fig.23:** 1. Rubber cap

► **Fig.24:** 1. Rubber cap 2. Vacuum cleaner 3. Hose

Remove the rubber cap from the dust nozzle and connect the vacuum cleaner's hose as illustrated.

NOTE: To prevent the rubber cap from being lost, store it on the front of the tool.

NOTE: When not using the vacuum cleaner, attach the rubber cap onto the dust nozzle.

OPERATION

⚠ CAUTION: Be sure to move the tool forward in a straight line gently. Forcing or twisting the tool will result in overheating the motor and dangerous kickback, possibly causing severe injury.

NOTE: When the battery cartridge temperature is low, the tool may not work to its full capacity. At this time, for example, use the tool for a light-duty cut for a while until the battery cartridge warms up as high as room temperature. Then, the tool can work to its full capacity.

► **Fig.25**

Hold the tool firmly. The tool is provided with both a front grip and rear handle. Use both to best grasp the tool. If both hands are holding saw, they cannot be cut by the circular saw blade. Set the base on the workpiece to be cut without the circular saw blade making any contact. Then turn the tool on and wait until the circular saw blade attains full speed. Now simply move the tool forward over the workpiece surface, keeping it flat and advancing smoothly until the sawing is completed. To get clean cuts, keep your sawing line straight and your speed of advance uniform. If the cut fails to properly follow your intended cut line, do not attempt to turn or force the tool back to the cut line. Doing so may bind the circular saw blade and lead to dangerous kickback and possible serious injury. Release switch, wait for circular saw blade to stop and then withdraw tool. Realign tool on new cut line, and start cut again. Attempt to avoid positioning which exposes operator to chips and wood dust being ejected from saw. Use eye protection to help avoid injury.

Hook

⚠ CAUTION: Always remove the batteries when hanging the tool with the hook.

⚠ CAUTION: Never hook the tool at high locations or on the surfaces where the tool may lose the balance and fall.

⚠ CAUTION: Do not pull the tool hooked downward.

The hook is convenient for hanging the tool temporarily. To use the hook, simply lift up hook until it snaps into the open position.

When not in use, always lower hook until it snaps into the closed position.

► **Fig.26:** 1. Hook

► **Fig.27**

Rip fence (Guide rule)

Optional accessory

The handy rip fence allows you to do extra-accurate straight cuts. Simply slide the rip fence up snugly against the side of the workpiece and secure it in position with the clamping screw on the front of the base. It also makes repeated cuts of uniform width possible.

► **Fig.28:** 1. Rip fence (Guide rule) 2. Clamping screw

Lanyard (tether strap) connection

⚠ Safety warnings specific for use at height
Read all safety warnings and instructions. Failure to follow the warnings and instructions may result in serious injury.

1. Always keep the tool tethered when working "at height". Maximum lanyard length is 2 m (6.5 ft).
 2. Use only with lanyards appropriate for this tool type and rated for at least 6.5 kg (14.4 lbs).
 3. Do not anchor the tool lanyard to anything on your body or on movable components. Anchor the tool lanyard to a rigid structure that can withstand the forces of a dropped tool.
 4. Make sure the lanyard is properly secured at each end prior to use.
 5. Inspect the tool and lanyard before each use for damage and proper function (including fabric and stitching). Do not use if damaged or not functioning properly.
 6. Do not wrap lanyards around or allow them to come in contact with sharp or rough edges.
 7. Fasten the other end of the lanyard outside the working area so that a falling tool is held securely.
 8. Attach the lanyard so that the tool will move away from the operator if it falls. Dropped tools will swing on the lanyard, which could cause injury or loss of balance.
 9. Do not use near moving parts or running machinery. Failure to do so may result in a crush or entanglement hazard.
 10. Do not carry the tool by the attachment device or the lanyard.
 11. Only transfer the tool between your hands while you are properly balanced.
 12. Do not attach lanyards to the tool in a way that keeps guards, switches or lock-offs from operating properly.
 13. Avoid getting tangled in the lanyard.
 14. Keep lanyard away from the cutting area of the tool.
 15. Use multi-action and screw gate type carabineers. Do not use single action spring clip carabineers.
 16. In the event the tool is dropped, it must be tagged and removed from service, and should be inspected by a Makita Factory or Authorized Service Center.
- Fig.29: 1. Hole for lanyard (tether strap)

MAINTENANCE

⚠ CAUTION: Always be sure that the tool is switched off and the battery cartridge is removed before attempting to perform inspection or maintenance.

⚠ CAUTION: Clean out the upper and lower guards to ensure there is no accumulated sawdust which may impede the operation of the lower guarding system. A dirty guarding system may limit the proper operation which could result in serious personal injury. The most effective way to accomplish this cleaning is with compressed air. If the dust is being blown out of the guards be sure the proper eye and breathing protection is used.

NOTICE: Never use gasoline, benzine, thinner, alcohol or the like. Discoloration, deformation or cracks may result.

Adjusting 0°-cut accuracy

This adjustment has been made at the factory. But if it is off, you can adjust it as the following procedure.

1. Slightly loosen the lever on the bevel scale plate.
2. Make the base perpendicular to the blade using a triangular rule or square rule by turning the adjusting bolt.
► Fig.30: 1. Triangular rule 2. Adjusting bolt
3. Tighten the lever and then make a test cut to check the verticalness.

To maintain product SAFETY and RELIABILITY, repairs, any other maintenance or adjustment should be performed by Makita Authorized or Factory Service Centers, always using Makita replacement parts.

OPTIONAL ACCESSORIES

⚠ CAUTION: These accessories or attachments are recommended for use with your Makita tool specified in this manual. The use of any other accessories or attachments might present a risk of injury to persons. Only use accessory or attachment for its stated purpose.

If you need any assistance for more details regarding these accessories, ask your local Makita Service Center.

- Circular saw blade
- Wrench
- Rip fence (Guide rule)
- Makita genuine battery and charger

NOTE: Some items in the list may be included in the tool package as standard accessories. They may differ from country to country.

SPECIFIKATIONER

Modell:		DRS780
Klingans diameter		185 mm
Max. sågdjup	vid 0°	65 mm
	vid 45° vinkel	45 mm
	vid 53° vinkel	38 mm
Hastighet utan belastning		5100 min ⁻¹
Total längd		446 mm
Märkspänning		36 V likström
Nettovikt		5,0 - 5,7 kg

- På grund av vårt pågående program för forskning och utveckling kan dessa specifikationer ändras utan föregående meddelande.
- Specifikationer kan variera mellan olika länder.
- Vikten kan variera beroende på tillbehören, inklusive batterikassett. Den lättaste och den tyngsta kombinationen enligt EPTA-procedur 01/2014 visas i tabellen.

Tillgänglig batterikassett och laddare

Batterikassett	BL1815N / BL1820 / BL1820B / BL1830 / BL1830B / BL1840 / BL1840B / BL1850 / BL1850B / BL1860B
Laddare	DC18RC / DC18RD / DC18RE / DC18SD / DC18SE / DC18SF

- Vissa av batterikassetterna och laddarna på listan ovan kanske inte finns tillgängliga i din region.

⚠ VARNING: Använd endast batterikassetter och laddare från listan ovan. Användning av andra batterikassetter och laddare kan orsaka personskada och/eller brand.

Avsedd användning

Verktyget är avsett för att utföra raka snitt längs och tvärs arbetsstycken i trä samt för vinkelsågning i trä med god kontakt med arbetsstycket.

Buller

Den normala bullernivån för A-belastning är bestämd enligt EN62841-2-5:

Ljudtrycksnivå (L_{pA}): 92 dB (A)
Ljudeffektnivå (L_{WA}): 103 dB (A)
Mättolerans (K): 3 dB (A)

OBS: Det deklarerade bullervärdet har uppmätts i enlighet med standardtestmetoden och kan användas för jämförandet av en maskin med en annan.

OBS: Det deklarerade bulleremissionsvärdet kan också användas i en preliminär bedömning av exponering för vibration.

⚠ VARNING: Använd hörselskydd.

⚠ VARNING: Bulleremissionen under faktisk användning av maskinen kan skilja sig från det deklarerade värdet, beroende på hur maskinen används och särskilt vilken typ av arbetsstycke som behandlas.

⚠ VARNING: Var noga med att identifiera säkerhetsåtgärder för att skydda användaren, vilka är grundade på en uppskattning av graden av exponering för vibrationer under de faktiska användningsförhållandena, (ta, förutom avtryckartiden, med alla delar av användarcykeln i beräkningen, som till exempel tiden då maskinen är avstängd och när den går på tomgång).

Vibration

Det totala vibrationsvärdet (treaxlad vektorsumma) bestämt enligt EN62841-2-5:

Arbetsläge: sågning i trä
Vibrationsemission ($a_{h,W}$): 2,5 m/s² eller lägre
Mättolerans (K): 1,5 m/s²

OBS: Det deklarerade totala vibrationsvärdet har uppmätts i enlighet med standardtestmetoden och kan användas för jämförandet av en maskin med en annan.

OBS: Det deklarerade totala vibrationsvärdet kan också användas i en preliminär bedömning av exponering för vibration.

⚠ VARNING: Vibrationsemissionen under faktisk användning av maskinen kan skilja sig från det deklarerade värdet, beroende på hur maskinen används och särskilt vilken typ av arbetsstycke som behandlas.

⚠ VARNING: Var noga med att identifiera säkerhetsåtgärder för att skydda användaren, vilka är grundade på en uppskattning av graden av exponering för vibrationer under de faktiska användningsförhållandena, (ta, förutom avtryckartiden, med alla delar av användarcykeln i beräkningen, som till exempel tiden då maskinen är avstängd och när den går på tomgång).

EG-försäkran om överensstämmelse

Gäller endast inom EU

EG-försäkran om överensstämmelse inkluderas som bilaga A till denna bruksanvisning.

SÄKERHETSVARNINGAR

Allmänna säkerhetsvarningar för maskiner

⚠ VARNING: Läs alla säkerhetsvarningar, anvisningar, illustrationer och specifikationer som medföljer det här maskinen. Underlåtenhet att följa instruktionerna kan leda till elstötar, brand och/eller allvarliga personskador.

Spara alla varningar och instruktioner för framtida referens.

Termen "maskin" som anges i varningarna hänvisar till din eldrivna maskin (sladdansluten) eller batteridrivna maskin (sladdlös).

Säkerhetsvarningar för sladdlös cirkelsåg

Sågningsförfarande

- ⚠ FARA:** Håll alltid händerna borta från sågningsområdet. Håll den andra handen på det extra handtaget eller motorhuset. Om du håller i sågen med båda händerna kan de inte skadas av klingan.
- Sträck dig inte in under arbetsstycket.** Skyddet har ingen skyddsfunktion under arbetsstycket.
- Ställ in sågdjupet efter arbetsstyckets tjocklek.** Mindre än en hel sågtand får synas under arbetsstycket.
- Håll aldrig arbetsstycket i händerna eller i knäet vid kapning. Fäst arbetsstycket på ett stabilt underlag.** Det är viktigt att arbetsstycket stöds ordentligt för att minimera risken för skador, undvika att klingan fastnar eller att något oväntat inträffar.

► Fig.1

- Håll maskinen i de isolerade handtagen om det finns risk för att skärverktyget kan komma i kontakt med en dold elkabel.** Om skärverktyget kommer i kontakt med en strömförande ledning blir maskinens metalldelar strömförande och kan ge användaren en elektrisk stöt.

- Vid klyvsågning ska alltid ett parallell- eller sidoanslag användas.** Detta förbättrar noggrannheten vid sågningen och minskar risken för att klingan nyper fast.
- Använd alltid en sågklinga med rätt storlek och form (diament respektive rund) på styrhålen.** (Klingor som inte passar monteringsfästet i sågen löper ojämnt, vilket ger en okontrollerbar sågning).
- Använd aldrig en klingbricka eller bult som på något sätt är felaktig eller skadad.** Klingbrickorna och bulten är specialtillverkade till sågen för optimal prestanda och säkerhet.

Orsaker till bakåtkast och relaterade varningar

- Bakåtkast är en plötslig reaktion när ett sågblad kläms, fastnar eller är felinriktat och innebär att sågen kastas upp ur arbetsstycket.
- Om klingan kläms eller fastnar och sågskäret därmed stoppas, driver motorkraften sågen mot användaren i hög hastighet.
- Om klingan böjs eller blir felriktad i sågskäret kan sågtänderna på klingans bakkant gräva sig in på ytan av arbetsstycket, driva klingan ur skäret och kasta sågen bakåt mot användaren.

Bakåtkast beror på ovarsamhet och/eller felaktiga arbetsrutiner och kan undvikas genom att vidta nedanstående förebyggande åtgärder.

- Håll sågen stadigt med båda händerna och placera armarna så att de kan ta emot kraften från ett bakåtkast. Stå vid sidan av klingan och aldrig i dess linje.** Vid ett bakåtkast kastas sågen bakåt, men kraften i bakåtkastet kan kontrolleras av användaren om rätt försiktighetsåtgärder vidtas.
- Om klingan kläms eller av annan orsak hindras i skäret ska du släppa avtryckaren och hålla sågen stilla i skäret tills klingan har stannat. För att undvika bakåtkast ska du aldrig försöka ta bort sågen från arbetsstycket eller dra sågen bakåt när klingan är i rörelse.** Undersök och åtgärda orsaken till att klingan fastnar.
- När sågen startas igen i arbetsstycket ska du centrera sågklingan i skäret och kontrollera att ingen sågtand är i grepp i materialet.** Om sågbladet sitter fast i materialet kan sågen klättra upp eller medföra bakåtkast när sågen startas på nytt.
- Stötta långa arbetsstycken för att minimera risken för att klingan nyper fast och ger bakåtkast.** Långa arbetsstycken böjs av sin egen tyngd. Placera stöd på båda sidorna, både nära såglinjen och vid kanten på arbetsstycket.

► Fig.2

► Fig.3

- Använd aldrig slöa eller skadade klingor.** En oskarp eller felinställd klinga ger ett trångt sågskär som orsakar onödig friktion och klingan kan lättare fastna och ge bakåtkast.
- Klingdjup och nivåinställda låsspakar måste vara åtdragna och låsta innan sågning.** Om klingans justering skiftar under sågning kan det orsaka att den nyper fast och ger bakåtkast.
- Var extra uppmärksam vid sågning i väggar eller andra dolda utrymmen.** Den utskjutande klingan kan såga de föremål som kan orsaka bakåtkast.

8. Håll ALLTID maskinen stadigt med båda händerna. Placera ALDRIG handen, benet eller någon annan kroppsdel under bottenplattan eller bakom sågen, i synnerhet vid tvärsågning. Vid eventuella bakåtkast kan sågen lätt kastas bakåt mot handen och orsaka allvarliga skador.
- Fig.4
9. Forcera aldrig sågen. Skjut sågen framåt med en sågningshastighet som låter klingan såga utan att tappa fart. En såg som forceras ger ojämna skår, är svårare att styra och ger risk för bakåtkast.

Skyddets funktion

1. **Kontrollera att det nedre skyddet är stängt före varje sågning. Använd inte sågen om det nedre skyddet kärvar och inte stängs omedelbart. Kila aldrig fast eller bind det nedre skyddet i öppet läge.** Om du tappar sågen kan det nedre skyddet böjas. Hög det nedre skyddet med handtaget och se till att det rör sig fritt och inte vidrör klingan eller någon annan del under någon sågvinkel eller något sågdjup.
2. **Kontrollera funktionen hos det nedre skyddets fjäder. Om skyddet eller fjädern inte fungerar på avsett vis ska sågen underhållas innan den används.** Det nedre skyddet kan fungera ojämnt på grund av skadade delar, gummiavlagringar eller andra ansamlingar.
3. **Det nedre skyddet får endast dras tillbaka manuellt inför specialsågningar som "insticks-sågning" och "geringsågning".** Hög det nedre skyddet med hjälp av handtaget och släpp det nedre skyddet så snart klingan går in i materialet. Under alla andra typer av sågning ska det nedre skyddets automatiska funktion användas.
4. **Kontrollera alltid att det nedre skyddet täcker klingan innan du ställer ned sågen på ett arbetsbordet eller på golvet.** En oskyddad klinga som roterar medför att sågen vandrar bakåt och säger i allt som kommer i dess väg. Tänk på att det tar en stund innan klingan stannar efter att du har släppt avtryckaren.
5. **Kontrollera det nedre skyddet genom att öppna det manuellt och sedan släppa det och observera skyddets stängning. Kontrollera även att handtaget inte vidrör verktygshuset.** Att lämna klingan oskyddad är MYCKET FARLIGT och kan leda till allvarliga personskador.

Ytterligare säkerhetsvarningar

1. **Var extra försiktig vid sågning i fuktigt, tryckbehandlat och kvistigt trä.** Bibehåll mjuk rörelse framåt med maskinen, utan att klingans hastighet minskar, för att undvika överhettning av klingspetsarna.
2. **Ta aldrig bort sågat material medan klingan rör sig.** Vänta tills klingan har stannat innan du tar bort det sågade materialet. Klingan stannar inte omedelbart när maskinen stängs av.
3. **Undvik att säga i spik.** Kontrollera arbetsstycket och ta bort alla spikar innan du börjar såga.
4. **Placera större delen av sågbordet på den del av arbetsstycket som har ett fast stöd och inte på den del som ska sägas bort.** Kläm fast arbetsstycket som är små eller korta. **FÖRSÖK INTE ATT HÅLLA SMÅ ARBETSSTYCKEN I HANDEN!**

► Fig.5

5. **Kontrollera att skyddet är stängt och att klingan har stannat innan du ställer ifrån dig sågen.**
6. **Använd aldrig cirkelsågen upp-och-nedvänd i ett skruvståd.** Det är extremt farligt och kan leda till allvarliga olyckor.

► Fig.6

7. **Vissa material kan innehålla giftiga kemikalier. Se till att du inte andas in damm eller får det på huden. Följ anvisningarna i leverantörens materialsäkerhetsblad.**
8. **Försök inte stoppa klingorna genom att trycka på dem.**
9. **Använd inte några slipskivor.**
10. **Använd endast sågklingor med den diameter som finns markerad på maskinen eller angiven i handboken.** Om en klinga med fel storlek används kan det påverka skyddet för klingan eller skyddets funktion vilket kan resultera i allvarlig personskada.
11. **Håll klingan vass och ren.** Gummi- och trärester på klingan hindrar sågningen och ökar risken för bakåtkast. Ta bort klingan från sågen och gör rent den med ett borttagningsmedel för gummi- och trärester, varmt vatten och fotogen. Använd aldrig bensin.
12. **Använd alltid andningsmask och hörselskydd när du arbetar med verktyget.**
13. **Använd alltid ett sågblad som är avsett för att skära i det avsedda materialet.**
14. **Använd endast sågblad som är märkta med ett maximalt varvantal som är lika med eller högre än varvtalet som är märkt på maskinen.**
15. **(endast för länder i Europa)** Använd alltid blad som överensstämmer med EN847-1.

SPARA DESSA ANVISNINGAR.

⚠️ VARNING: GLÖM INTE att också fortsättningsvis strikt följa säkerhetsanvisningarna för maskinen även efter att du blivit van att använda den. Vid FELAKTIG HANTERING av maskinen eller om inte säkerhetsanvisningarna i denna bruksanvisning följs kan följden bli allvarliga personskador.

Viktiga säkerhetsanvisningar för batterikassetten

1. **Innan batterikassetten används ska alla instruktioner och varningsmärken på (1) batteriladdaren, (2) batteriet och (3) produkten läsas.**
2. **Montera inte isär batterikassetten.**
3. **Om drifttiden blivit avsevärt kortare ska användningen avbrytas omedelbart.** Det kan uppstå överhettning, brännskador och t o m en explosion.
4. **Om du får elektrolyt i ögonen ska de sköljas med rent vatten och läkare uppsökas omedelbart.** Det finns risk för att synen förloras.

5. **Kortslut inte batterikassetten.**
 - (1) Rör inte vid polerna med något strömförande material.
 - (2) Undvik att förvara batterikassetten tillsammans med andra metallobjekt som t.ex. spikar, mynt o.s.v.
 - (3) Skydda batteriet mot vatten och regn. En batterikortslutning kan orsaka ett stort strömlöflöde, överhettning, brand och maskinhaveri.
6. Förvara inte maskinen och batterikassetten på platser där temperaturen kan nå eller överstiga 50 °C.
7. Bränn inte upp batterikassetten även om den är svårt skadad eller helt utsliten. Batterikassetten kan explodera i öppen eld.
8. Var försiktig så att du inte råkar tappa batteriet och utsätt det inte för stötar.
9. Använd inte ett skadat batteri.
10. De medföljande litiumjonbatterierna är föremål för kraven i gällande lagstiftning för farligt gods.

För kommersiella transporter (av t.ex. tredje parter som speditorsfirmor) måste de särskilda transportkrav som anges på emballaget och etiketter iakttas.

För att förbereda den produkt som ska avsändas krävs att du konsulterar en expert på riskmaterial. Var också uppmärksam på att det i ditt land kan finnas ytterligare föreskrifter att följa.

Tejpa över eller maskera blottade kontakter och packa batteriet på sådant sätt att det inte kan röra sig fritt i förpackningen.
11. Följ lokala föreskrifter beträffande avfallshandling av batteriet.
12. Använd endast batterierna med de produkter som specificerats av Makita. Att använda batterierna med ej godkända produkter kan leda till brand, överdriven värme, explosion eller utläckande elektrolyt.

SPARA DESSA ANVISNINGAR.

⚠FÖRSIKTIGT: Använda endast äkta Makita-batterier. Användning av oäkta Makita-batterier eller batterier som har manipulerats kan leda till person- och utrustningsskador eller till att batteriet fattar eld. Det upphäver också Makitas garanti för verktyget och laddaren.

Tips för att uppnå batteriets maximala livslängd

1. Ladda batterikassetten innan den är helt urladdad. Stanna alltid maskinen och ladda batterikassetten när du märker att maskinen blir svagare.
2. Ladda aldrig en fulladdad batterikassett. Överladdning förkortar batteriets livslängd.
3. Ladda batterikassetten vid en rumstemperatur på 10 °C - 40 °C. Låt en varm batterikassett svalna innan den laddas.
4. Ladda batterikassetten om du inte har använt den på länge (mer än sex månader).

FUNKTIONSBESKRIVNING

⚠FÖRSIKTIGT: Se alltid till att maskinen är avstängd och batterikassetten borttagen innan du justerar maskinen eller kontrollerar dess funktioner.

Montera eller demontera batterikassetten

⚠FÖRSIKTIGT: Stäng alltid av maskinen innan du monterar eller tar bort batterikassetten.

⚠FÖRSIKTIGT: Håll stadigt i maskinen och batterikassetten när du monterar eller tar bort batterikassetten. I annat fall kan det leda till att de glider ur dina händer och orsakar skada på maskinen och batterikassetten samt personskada.

⚠FÖRSIKTIGT: Fäll alltid ner bottenplattan vid installation/borttagning av batterier. Var försiktig så att du inte klämmer dina fingrar.

⚠FÖRSIKTIGT: Använd inte batteriadaptern med cirkelsågen. Kabeln till batteriadaptern kan hindra användningen och leda till personskada.

► Fig. 7: 1. Spärr 2. Krok 3. Röd indikator 4. Knapp 5. Batterikassett

Innan du tar bort batterikassetten måste du lyfta upp kroken och lossa spärren till djupinställningen för att sänka ner maskinens bottenplatta. Skjut sedan ut batterikassetten från maskinen medan du skjuter knappen fram till på kassetten.

Sätt in batterikassetten genom att rikta in tungan på batterikassetten mot spåret i höljets och skjut den på plats. Tryck in batterikassetten ordentligt tills den låser fast med ett klick. Om du kan se den röda indikatorn på knappens ovansida är den inte låst ordentligt.

⚠FÖRSIKTIGT: Sätt alltid in batterikassetten helt tills den röda indikatorn inte längre syns. I annat fall kan den oväntat falla ur maskinen och skada dig eller någon annan.

⚠FÖRSIKTIGT: Montera inte batterikassetten med våld. Om kassetten inte lätt glider på plats är den felinsatt.

OBS: Maskinen fungerar inte med endast en batterikassett.

Skyddssystem för maskinen/ batteriet

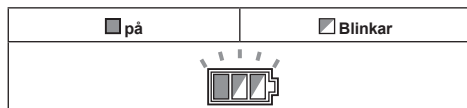
Maskinen är utrustad med ett skyddssystem för maskinen-/batteriet. Detta system bryter automatiskt strömmen till motorn för att förlänga maskinens och batteriets livslängd. Maskinen stoppar automatiskt under användningen om maskinen eller batteriet hamnar i en av följande situationer. Indikatorerna tänds i vissa situationer.

Överbelastningskydd

Om maskinen används på ett sätt som gör att det drar onormalt mycket ström kan maskinen stoppa automatiskt. Stäng då av maskinen och stoppa åtgärden som gjorde att den överbelastades. Starta därefter upp maskinen igen.

Överhettningsskydd

När maskinen blir överhettad stannar den av automatiskt och batteriindikatorn blinkar i cirka 60 sekunder. Låt maskinen svalna innan du startar den igen.



Överbelastningsvarning

Om maskinen används med överdriven belastning kommer lägesindikatorn blinka grönt. Lägesindikatorn slutar blinka och tänds eller släcks om du reducerar maskinens belastning.

► Fig.8: 1. Lägesindikator



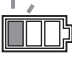

Överurladdningsskydd

När batteriets kapacitet är låg stoppar maskinen automatiskt. Om produkten inte fungerar trots att knapparna fungerar som de ska tar du bort batterierna från maskinen och laddar dem.

Indikerar kvarvarande batterikapacitet

► Fig.9: 1. Batteriindikator 2. Kontrollknapp

Tryck på kontrollknappen för att se kvarvarande batterikapacitet. Batteriindikeringarna motsvarar varje batteri.

Batteriindikatorstatus			Kvarvarande batterikapacitet
<input checked="" type="checkbox"/> På	<input type="checkbox"/> Av	<input checked="" type="checkbox"/> Blinkar	
			50 % till 100 %
			20 % till 50 %
			0 % till 20 %
			Ladda batteriet

Indikerar kvarvarande batterikapacitet

Endast för batterikassetter med indikator

► Fig.10: 1. Indikatorlampor 2. Kontrollknapp

Tryck på kontrollknappen på batterikassetten för att se kvarvarande batterikapacitet. Indikatorlamporna lyser i ett par sekunder.

Indikatorlampor			Kvarvarande kapacitet
<input checked="" type="checkbox"/> Upplyst	<input type="checkbox"/> Av	<input checked="" type="checkbox"/> Blinkar	
<input checked="" type="checkbox"/>	<input checked="" type="checkbox"/>	<input checked="" type="checkbox"/>	75% till 100%
<input checked="" type="checkbox"/>	<input checked="" type="checkbox"/>	<input type="checkbox"/>	50% till 75%
<input checked="" type="checkbox"/>	<input type="checkbox"/>	<input type="checkbox"/>	25% till 50%
<input checked="" type="checkbox"/>	<input type="checkbox"/>	<input type="checkbox"/>	0% till 25%
<input checked="" type="checkbox"/>	<input type="checkbox"/>	<input type="checkbox"/>	Ladda batteriet.
<input checked="" type="checkbox"/>	<input type="checkbox"/>	<input type="checkbox"/>	Batteriet kan ha skadats.
<input type="checkbox"/>	<input type="checkbox"/>	<input checked="" type="checkbox"/>	

OBS: Beroende på användningsförhållanden och den omgivande temperaturen kan indikationen skilja sig lätt från den faktiska batterikapaciteten.

Funktion för automatisk ändring av hastighet

Maskinen har ett höghastighetsläge och ett läge för högt vridmoment.

Maskinen ändrar automatiskt driftläge beroende på arbetsbelastningen. När arbetsbelastningen är låg körs maskinen i "Höghastighetsläge" för snabbare kapning. När arbetsbelastningen är hög körs maskinen i "Läge för högt vridmoment" för kraftig kapning.

► Fig.11: 1. Lägesindikator

Lägesindikatorn tänds när maskinen körs i "Läge för högt vridmoment".

Lägesindikatorstatus		Driftläge
<input checked="" type="checkbox"/> På	<input type="checkbox"/> Av	
<input type="checkbox"/>	<input type="checkbox"/>	Höghastighetsläge
<input checked="" type="checkbox"/>	<input type="checkbox"/>	Läge för högt vridmoment

Justera sågdjupet

⚠ FÖRSIKTIGT: Dra alltid åt spaken ordentligt efter att sågdjupet justerats.

Lossa spaken på djupanslaget och flytta bottenplattan uppåt eller nedåt. Läs bottenplattan med spaken när du har ställt in önskat sågdjup.

Bästa sågresultat och säkraste sågning erhålls om sågdjupet ställs in så att endast en sågtand syns på arbetsstyckets undersida. Rätt inställning av sågdjup bidrar till att minska risken för farliga BAKÅTKAST, som kan orsaka allvarliga personsador.

► **Fig.12:** 1. Spår

Vinkelsågning

⚠ FÖRSIKTIGT: Dra alltid åt spärren ordentligt efter justering av fsvinkel.

Lossa på spärren och ställ in önskad vinkel genom att luta maskinen i motsvarande mån och dra sedan åt spärren ordentligt.

► **Fig.13:** 1. Spår

Lägesstopp

Lägesstoppet är användbart för att snabbt ställa in avsedd vinkel. Vrid lägesstoppet så att dess pil pekar på önskad vinkel (22,5°/45°/53°). Lossa spärren och luta därefter maskinens basplatta tills den slutar. Positionen där maskinens basplatta slutar är den vinkel som du ställde in med lägesstoppet. Dra fast spärren med maskinens basplatta i denna position.

► **Fig.14:** 1. Lägesstopp

Inriktning

För rak sågning riktar du in läget för 0° fram till på bottenplattan mot såglinjen. För vinkelsågning med en vinkel på 45° riktar in den mot läget för 45°.

► **Fig.15:** 1. Såglinje (vid läget 0°) 2. Såglinje (vid läget 45°)

Avtryckarens funktion

⚠ VARNING: Innan du sätter i batterikassetten i maskinen ska du kontrollera att avtryckaren fungerar och återgår till läget "OFF" när du släpper den.

⚠ VARNING: Sätt ALDRIG säkerhetsknappens funktion ur spel genom att t.ex. tejpa fast den. I annat fall kan följden bli oavsiktlig aktivering och allvarlig personskada.

⚠ VARNING: Använd ALDRIG verktyget om det startar när du trycker in avtryckaren utan att ha tryckt in säkerhetsknappen. En säkerhetsknapp som behöver repareras kan orsaka oavsiktlig aktivering och allvarlig personskada. Returnera verktyget till ett Makita-servicecenter för reparation INNAN du fortsätter att använda det.

En säkerhetsknapp förhindrar oavsiktlig aktivering av avtryckaren. Starta verktyget genom att först trycka in säkerhetsknappen och sedan avtryckaren. Släpp avtryckaren för att stoppa verktyget.

► **Fig.16:** 1. Avtryckare 2. Startspår

OBSERVERA: Tryck inte in avtryckaren hårt utan att ha tryckt in säkerhetsknappen. Det kan skada avtryckaren.

MONTERING

⚠ FÖRSIKTIGT: Se alltid till att maskinen är avstängd och batterikassetten borttagen innan du underhåller maskinen.

Demontering eller montering av cirkelsågklinga

⚠ FÖRSIKTIGT: Se till att montera cirkelsågklingan med sågtänderna uppåt i verktygets framkant.

⚠ FÖRSIKTIGT: Använd endast medföljande insexnyckeln från Makita för att montera eller demontera cirkelsågklingan.

Ta bort cirkelsågbladet genom att trycka in spindellåset helt så att klingan inte kan rotera, och lossa därefter sexkantsbulten medurs med nyckeln. Ta sedan bort sexkantsbulten, ringen (landsspecifik), den yttre flänsen och cirkelsågbladet.

► **Fig.17:** 1. Spindellås 2. Nyckel

För verktyg utan insatsring

► **Fig.18:** 1. Sexkantsbult 2. Yttre fläns
3. Cirkelsågblad 4. Inre fläns

För verktyg med insatsring

► **Fig.19:** 1. Sexkantsbult 2. Yttre fläns
3. Cirkelsågblad 4. Insatsring 5. Inre fläns

Montera cirkelsågbladet genom att följa borttagningsproceduren i omvänd ordning.

För verktyg med en inre fläns som är avsedd för sågblad med en annan håldiameter än 15,88 mm

Den inre flänsen har en utskjutande del med en viss diameter på ena sidan och en utskjutande del med en annan diameter på den andra sidan. Välj den sidan där den utskjutande delen passar in perfekt i sågbladets hål. Montera den inre flänsen på monteringsaxeln så att rätt sida av den inre flänsens utskjutande del riktas utåt, och sätt sedan sågbladet och den yttre flänsen på plats.

► **Fig.20:** 1. Monteringsaxel 2. Inre fläns
3. Cirkelsågblad 4. Yttre fläns
5. Sexkantsbult

⚠ VARNING: SE TILL ATT DRA ÅT INSEXBULTEN ORDENTLIGT MOTURS. Var också noga med att inte dra åt bulten med våld. Om insexnyckeln glider ur handen kan den orsaka personskada.

⚠ VARNING: Se till att den utskjutande delen "a" på den inre flänsen som är placerad utåt passar in perfekt i hålet "a" i sågbladet. Att montera sågbladet på fel sida kan resultera i farliga vibrationer.

För verktyg med en inre fläns som är avsedd för ett sågblad med en håldiameter på 15,88 mm (landspecifikt)

Montera den inre flänsen med dess försänkta sida riktad utåt på monteringsaxeln och sätt sedan sågbladet (med insatsringen monterad om så krävs), den yttre flänsen och sexkantsbulten på plats.

För verktyg utan insatsring

- **Fig.21:** 1. Monteringsaxel 2. Inre fläns
3. Cirkelsågblad 4. Yttre fläns
5. Sexkantsbult

För verktyg med insatsring

- **Fig.22:** 1. Monteringsaxel 2. Inre fläns
3. Cirkelsågblad 4. Yttre fläns
5. Sexkantsbult 6. Insatsring

⚠ VARNING: SE TILL ATT DRA AT INSEXBULTEN ORDENTLIGT MOTURS. Var också noga med att inte dra åt bulten med våld. Om insexnyckeln glider ur handen kan den orsaka personskada.

⚠ VARNING: Om insatsringen behövs för att montera klingan på spindeln ska du alltid se till att korrekt insatsring för axelhålet på den klinga du ska använda monteras mellan den inre och den yttre flänsen. Att använda fel insatsring för axelhålet kan leda till felaktig montering av klingan, vilket orsakar förflyttning av klingan och ger allvarliga vibrationer. Detta kan leda till att du förlorar kontrollen under användning, vilket kan orsaka allvarliga personsador.

Rengöring av klingskydd

När du byter cirkelsågklinga bör du även se till att rengöra de övre och nedre klingskydden från sågspån enligt beskrivningen i avsnittet om underhåll. Detta ersätter inte den nödvändiga kontrollen av att det nedre skyddet fungerar som det ska före varje användning.

Ansluta en dammsugare

OBS: I vissa länder har maskinen inte något dammunestycke.

Anslut en dammsugare från Makita när du vill ha rent under sågningen.

- **Fig.23:** 1. Gummiprop

- **Fig.24:** 1. Gummiprop 2. Dammsugare 3. Slang

Ta bort gummiproppen från dammunestycket och anslut dammsugarsslangen enligt bilden.

OBS: Förvara gummiproppen framtill på maskinen så att den inte försvinner.

OBS: Fäst gummiproppen på dammunestycket när du inte använder dammsugaren.

ANVÄNDNING

⚠ FÖRSIKTIGT: Se till att verktyget förs framåt varsamt i en rät linje. Om du tvingar eller vrider sågen överhettas motorn och det finns risk för kraftiga bakåtkast som kan medföra allvarliga skador.

OBS: När batterikassettens temperatur är låg kan det hända att verktyget inte arbetar med full styrka. Använd då exempelvis verktyget för ett lätt sågarbete ett tag tills batterikassetten värms upp till rumstemperatur. Sedan kan verktyget arbeta med full styrka.

► Fig.25

Håll verktyget i ett fast grepp. Verktyget är försett med handtag både fram och bak. Använd båda handtagen för att hålla verktyget stadigt. Om du håller sågen med båda händerna kan de inte skadas av cirkelsågbladet. Placera bottenplattan på arbetsstycket utan att cirkelsågbladet kommer i kontakt med det. Starta sedan verktyget och vänta tills cirkelsågbladet uppnått full hastighet. För sedan sågen framåt över arbetsstyckets yta. Håll den plant och för den varsamt framåt tills sågningen är klar.

För att få en renare sågning ska du hålla rak såglinje och jämn hastighet framåt. Försök inte att vrida eller tvinga verktyget tillbaka till såglinjen om den avsedda såglinjen inte kan följas. Cirkelsågbladet kan då fastna, vilket kan leda till ett farligt bakåtkast med risk för allvarliga skador som följd. Släpp avtryckaren, vänta tills cirkelsågbladet har stannat och ta sedan bort verktyget. Rikta in verktyget mot en ny såglinje och starta sågningen på nytt. Undvik att stå så att du utsätts för spån och damm som kastas ut från sågen. Använd skyddsglasögon för att undvika skador.

Krok

⚠ FÖRSIKTIGT: Ta alltid bort batterierna när du hänger upp maskinen med kroken.

⚠ FÖRSIKTIGT: Häng aldrig upp maskinen på höga platser eller på ytor där maskinen kan tappa balansen och falla ner.

⚠ FÖRSIKTIGT: Dra inte maskinkroken neråt.

Kroken används för att hänga upp maskinen temporärt. När du ska använda kroken lyfter du den helt enkelt tills den fastnar i öppet läge.

När du inte behöver den, trycker du in kroken tills den fastnar i stängt läge.

- **Fig.26:** 1. Krok

- **Fig.27**

Parallellanslag (anslagsskena)

Valfria tillbehör

Ett praktiskt parallellanslag möjliggör extra noggrann, rak sågning. Placera parallellanslaget tätt mot arbetsstyckets sida och läs fast det med skruven framtill på bottenplattan. Parallellanslaget kan också användas när du vill såga flera arbetsstycken med samma bredd.

- **Fig.28:** 1. Parallellanslag (anslagsskena)
2. Låsskruv

Anslutning av rep (fästrem)

⚠ Särskilda säkerhetsvarningar för användning på hög höjd
Läs igenom alla säkerhetsvarningar och anvisningar. Om varningarna och anvisningarna inte följs kan det leda till allvarliga personskador.

1. Ha alltid maskinen fastbunden när du arbetar på hög höjd. Maxlängd för repet är 2 m (6,5 ft).
2. Används endast med rep som är lämpliga för denna maskintyp och klassade för minst 6,5 kg (14,4 lbs).
3. Fäst inte maskinrepet någonstans på kroppen eller på rörliga komponenter. Förankra maskinrepet i en stabil struktur som klarar kraften i ett fallande verktyg.
4. Se till att repet är ordentligt säkrat i båda ändarna före användning.
5. Inspektera maskinen och repet före varje användning för att kontrollera skador och korrekt funktion (inklusive tyg och sömmar). Använd det inte om det är skadat eller inte fungerar ordentligt.
6. Linda inte rep runt vassa eller grova kanter och låt dem inte komma i kontakt med dessa.
7. Fäst den andra änden på repet utanför arbetsområdet, så att en fallande maskin hålls säkert fast.
8. Fäst repet så att maskinen rör sig bort från operatören om den faller. Maskiner som ramlar gungar i repet, vilket kan orsaka skada eller förlorad balans.
9. Används inte nära rörliga delar eller maskineri som är igång. Det kan leda till risk för krosskador eller intrassling.
10. Bär inte maskinen i fästansordningen eller i repet.
11. Flytta över maskinen mellan händerna endast när du har ordentlig balans.
12. Fäst inte rep vid maskinen på ett sådant sätt att skydd, knappar eller spärar inte fungerar ordentligt.
13. Undvik att bli intrasslad i repet.
14. Håll repet borta från maskinens skärområde.
15. Använd flerfunktionskarbinfästen av skruvportstyp. Använd inte enkelfunktionskarbinfästen med fjäderklämma.
16. Om maskinen tappas måste den märkas ut och tas ur bruk, och inspekteras av en Makita-fabrik eller auktoriserat servicecenter.

► Fig.29: 1. Hål för rep (fästrem)

UNDERHÅLL

⚠ FÖRSIKTIGT: Se alltid till att maskinen är avstängd och batterikassetten borttagen innan inspektion eller underhåll utförs.

⚠ FÖRSIKTIGT: Rensa ut de övre och nedre skydden för att se till inga sågspån har samlats där som kan hämma det nedre skyddssystemets funktion. Ett smutsigt skyddssystem kan leda till att verktyget inte fungerar som det ska, vilket kan leda till allvarliga personskador. Det effektivaste rengöringssättet är med tryckluft. Om du blåser ut sågspån från skyddet ska du se till att ha ordentliga ögon- och andningskydd.

OBSERVERA: Använd inte bensin, förtunningsmedel, alkohol eller liknande. Missfärgning, deformation eller sprickor kan uppstå.

Justera noggrannhet för sågningar på 0°

Denna inställning har utförts i fabriken. Om den är rubbad kan du justera den med följande procedur.

1. Lossa spärren lite på vinkelskalan.
2. Gör bottenplattan vinkelrät mot klingan med hjälp av en vinkelhake genom att skruva på justerbulten.
► Fig.30: 1. Vinkelhake 2. Inställningsbult
3. Dra åt spärren och gör en testsågning för att kontrollera lodrätteten.

För att upprätthålla produktens SÄKERHET och TILLFÖRLITLIGHET bör allt underhålls- och justeringsarbete utföras av ett auktoriserat Makita servicecenter och med reservdelar från Makita.

VALFRIA TILLBEHÖR

⚠ FÖRSIKTIGT: Följande tillbehör eller tillsatser rekommenderas för användning med den Makita-maskin som denna bruksanvisning avser. Om andra tillbehör eller tillsatser används kan det uppstå risk för personskador. Använd endast tillbehören eller tillsatserna för de syften de är avsedda för.

Kontakta ditt lokala Makita servicecenter om du behöver ytterligare information om dessa tillbehör.

- Cirkelsågklinga
- Nyckel
- Parallellanslag (anslagsskena)
- Makitas originalbatteri och -laddare

OBS: Några av tillbehören i listan kan vara inkluderade i maskinpaketet som standardtillbehör. De kan variera mellan olika länder.

TEKNISKE DATA

Modell:		DRS780
Bladdiameter		185 mm
Maks. skjæredybde	med 0°	65 mm
	ved 45° skråskjæring	45 mm
	ved 53° skråskjæring	38 mm
Hastighet uten belastning		5100 min ⁻¹
Total lengde		446 mm
Nominell spenning		DC 36 V
Nettvekt		5,0 - 5,7 kg

- På grunn av vårt kontinuerlige forsknings- og utviklingsprogram kan spesifikasjonene som oppgis i dette dokumentet endres uten varsel.
- Spesifikasjonene kan variere fra land til land.
- Vekten kan variere avhengig av tilbehøret/tilbehørene, inkludert batteriet. Den letteste og tyngste kombinasjonen, i henhold til EPTA-prosedyre 01/2014, vises i tabellen.

Passende batteri og lader

Batteriinnsett	BL1815N / BL1820 / BL1820B / BL1830 / BL1830B / BL1840 / BL1840B / BL1850 / BL1850B / BL1860B
Lader	DC18RC / DC18RD / DC18RE / DC18SD / DC18SE / DC18SF

- Noen av batteriene og laderne som er opplistet ovenfor er kanskje ikke tilgjengelige, avhengig av hvor du bor.

⚠ ADVARSEL: Bruk kun de batteriene og laderne som er opplistet ovenfor. Bruk av andre batterier og ladere kan føre til personskader og/eller brann.

Riktig bruk

Verktøyet er beregnet på saging av langsgående og tversgående rette snitt og gjæringssnitt med vinkler i tre, mens det er i tett kontakt med arbeidsemnet.

Støy

Typisk A-vektet lydtrykknivå er bestemt i henhold til EN62841-2-5:
 Lydtrykknivå (L_{pA}): 92 dB (A)
 Lydeffektnivå (L_{WA}): 103 dB (A)
 Usikkerhet (K): 3 dB (A)

MERK: Den/de oppgitte verdien(e) for genererte vibrasjoner har blitt målt i henhold til standard testmetoder, og kan bli brukt til å sammenligne ett verktøy med et annet.

MERK: Den/de angitte verdien(e) for de genererte vibrasjonene kan også brukes til en foreløpig vurdering av eksponeringen.

⚠ ADVARSEL: Bruk hørselsvern.

⚠ ADVARSEL: De genererte vibrasjonene ved faktisk bruk av elektroverktøyet kan avvike fra den/de angitte vibrasjonsverdien(e), avhengig av hvordan verktøyet brukes.

⚠ ADVARSEL: Sørg for å identifisere vernetiltak for å beskytte operatøren, som er basert på et estimat av eksponeringen under de faktiske bruksforholdene (idet det tas hensyn til alle deler av driftssyklusen, dvs. hvor lenge verktøyet er slått av, hvor lenge det går på tomgang og hvor lenge startbryteren faktisk holdes trykket).

Vibrasjoner

Den totale vibrasjonsverdien (triaksial vektorsum) bestemt i henhold EN62841-2-5:
 Arbeidsmodus: saging av tre
 Genererte vibrasjoner ($a_{h,w}$): 2,5 m/s² eller mindre
 Usikkerhet (K): 1,5 m/s²

MERK: Den/de oppgitte verdien(e) for totalt genererte vibrasjoner har blitt målt i henhold til standard testmetoder, og kan bli brukt til å sammenligne ett verktøy med et annet.

MERK: Den/de angitte verdien(e) for totalt genererte vibrasjoner kan også brukes til en foreløpig vurdering av eksponeringen.

⚠ ADVARSEL: De genererte vibrasjonene ved faktisk bruk av elektroverktøyet kan avvike fra den/de angitte vibrasjonsverdien(e), avhengig av hvordan verktøyet brukes og spesielt i forhold til arbeidsstykket som blir behandlet.

⚠ ADVARSEL: Sørg for å identifisere vernetiltak for å beskytte operatøren, som er basert på et estimat av eksponeringen under de faktiske bruksforholdene (idet det tas hensyn til alle deler av driftssyklusen, dvs. hvor lenge verktøyet er slått av, hvor lenge det går på tomgang og hvor lenge startbryteren faktisk holdes trykket).

EFs samsvarserklæring

Gjelder kun for land i Europa

EFs samsvarserklæring er lagt til som vedlegg A i denne bruksanvisningen.

SIKKERHETSADVARSEL

Generelle advarsler angående sikkerhet for elektroverktøy

⚠ADVARSEL: Les alle sikkerhetsadvarsler, instruksjoner, illustrasjoner og spesifikasjoner som følger med dette elektroverktøyet. Hvis ikke alle instruksjonene nedenfor følges, kan det forekomme elektrisk støt, brann og/eller alvorlig skade.

Oppbevar alle advarsler og instruksjoner for senere bruk.

Uttrykket «elektrisk verktøy» i advarslene refererer både til elektriske verktøy (med ledning) tilkoblet strømmettet, og batteridrevne verktøy (uten ledning).

Sikkerhetsadvarsler for batteridrevet sirkelsag

Skjærepresedyrer

- ⚠FARE:** Hold hendene unna kappeområdet og bladet. Hold den andre hånden på hjelpehåndtaket eller motorhuset. Hvis du holder sagen med begge hendene, risikerer du ikke at de blir skåret av bladet.
 - Ikke strekk deg under arbeidsstykket.** Bladvernet kan ikke beskytte deg mot bladet under arbeidsemnet.
 - Juster dybden på kutt til tykkelsen på arbeidsstykket.** Mindre enn en hel sagtann skal være synlig nedenfor arbeidsemnet.
 - Du må aldri holde arbeidsstykket med hendene eller la det ligge tvers over bena dine når det kuttet. Sikre arbeidsstykket på en stødig plattform.** Det er viktig å støtte arbeidsstykket ordentlig for å gjøre risikoen minst mulig for å få skader, for at bladet skal sette seg fast, eller for at du skal miste kontrollen.
- Fig.1
- Hold elektroverktøyet i de isolerte gripeflatene når skjæreverktøyet kan komme i kontakt med skjulte ledninger under arbeidet.** Kontakt med en strømførende ledning kan føre til at metalldelene på elektroverktøyet også blir strømførende, og kan gi brukeren elektrisk støt.
 - Ved kløyving må du alltid bruke et parallellanlegg eller en føring med rett kant.** Dette forbedrer nøyaktigheten av kuttet og reduserer risikoen for at bladet skal sette seg fast.
 - Det må alltid brukes blader med riktig størrelse og form (diamant eller rund) på akselhullet.** Blader som ikke passer til monteringsmekanismen på sagen vil svive ute av senter og bli umulige å kontrollere.

- Bruk aldri mellomleggsskiver til bladet eller en bolt som er skadd eller ikke passer.** Mellomleggsskivene for bladet og boltene er spesielt utformet for sagen, for optimal ytelse og sikker drift.

Tilbakeslag oppstår og relaterte advarsler

- Tilbakeslag er en plutselig reaksjon på et klemt, fastsittende eller feiljustert sagblad, som kan føre til at en sag som ikke holdes godt fast blir løftet opp og ut av arbeidsstykket, og mot operatøren.
- Når bladet kommer i klem eller setter seg fast ved at snittet lukker seg, stopper bladet, og motoren driver enheten hurtig tilbake mot operatøren.
- Hvis bladet blir vridd eller feiljustert i snittet, vil tennene i bakkant av bladet grave seg inn i den øvre kanten av arbeidsemnet, slik at bladet arbeider seg ut av snittet og spretter tilbake mot operatøren.

Tilbakeslag er et resultat av feil bruk av sagen og/eller feilaktige arbeidsprosedyrer eller arbeidsforhold, og kan unngås hvis man tar de rette forholdsregler (se nedenfor).

- Hold sagen i et fast grep med begge hender, og hold armene dine slik at de kan motstå kraften fra sagen i tilfelle den slår tilbake mot deg. Posisjoner kroppen på den ene siden av bladet, men ikke på linje med det.** Tilbakeslag kan føre til at sagen hopper bakover. Tilbakeslagene kan imidlertid kontrolleres av brukeren, hvis brukeren tar de rette forholdsreglene.
- Når bladet setter seg fast, eller når du av en eller annen grunn vil avbryte sagingen, må du slippe startbryteren og holde sagen i ro i materialet inntil bladet har stoppet helt. Du må aldri forsøke å fjerne sagen fra arbeidsemnet eller å trekke den bakover mens bladet er i bevegelse, da dette kan få sagen til å slå tilbake.** Undersøk hvorfor bladet setter seg fast og sett i verk avhjelpende tiltak.
- Når du starter sagen i arbeidsstykket igjen, må du sentrere sagbladet i snittet slik at sagtennene ikke griper inn i materialet.** Hvis et sagblad sitter fast, kan det løfte seg opp eller føre til at sagen slår tilbake mot deg når den startes igjen.
- Støtt opp større plater for å redusere risikoen så mye som mulig for at bladet kommer i bennip, og for tilbakeslag.** Større plater har en tendens til å bøye seg under sin egen vekt. Støttene må plasseres under platen på begge sider, nær kappelinjnen og nær kantene av platen.

► Fig.2

► Fig.3

- Ikke bruk sløve eller ødelagte blad.** Uskarpe eller feilaktig innstilte blad gir trangt snitt, noe som forårsaker kraftig friksjon, får bladet til å sette seg fast og resulterer i at sagen slår tilbake mot operatøren.
- Dette kan medføre tilbakeslag (kickback) som kan gi alvorlige personskader.** Bladdybden og låsehendene for avfasingjusteringen må være strammet og festet før snittet gjøres.
- Vær ekstra forsiktig når du sager i eksisterende vegger eller andre områder uten innsyn.** Det fremstikkende bladet kan treffe gjenstander som kan forårsake tilbakeslag.

8. **Hold ALLTID maskinen fast med begge hender. Plasser ALDRI hånden, benet eller noen annen kroppsdeler under maskinfoten eller bak sagen, særlig når du sager på tvers.** Hvis det skjer et tilbakeslag, kan sagen lett komme til å hoppe bakover over hånden din og forårsake alvorlige helseskader.

► Fig.4

9. **Bruk aldri makt på sagen. Skyv sagen fremover med en slik hastighet at bladet skjærer uten å miste fart.** Hvis du bruker makt på sagen, kan det gi ujevne snitt, unøyaktighet og muligheter for tilbakeslag.

Vernfunksjon

1. **Sjekk at det nedre vernet er ordentlig lukket før hver gang maskinen tas i bruk. Ikke begynn å bruke sagen hvis det nedre vernet ikke beveger seg fritt og lukker seg momentant. Det nedre vernet må aldri klemmes fast eller bindes opp i åpen stilling.** Hvis sagen ved et ulykkestilfelle skulle falle ned, kan det nedre vernet bli bøyd. Løft det nedre vernet med hevehendelen og forviss deg om at det beveger seg fritt og ikke berører bladet eller andre deler, uansett snittvinkel eller -dybde.
2. **Kontroller at fjæren til det nedre vernet virker som den skal. Hvis vernet og fjæren ikke fungerer som de skal, må de etteres før bruk.** Det nedre vernet kan gå tregt pga. ødelagte deler, gummiavleiringer eller opphopning av spon.
3. **Det nedre vernet kan trekkes tilbake manuelt bare i forbindelse med spesielle typer snitt, som f.eks. innstikk og kombinasjonssaging.** Hev det nedre vernet ved hjelp av hevehendelen og slipp det så snart bladet går inn i materialet. For all annen saging bør det nedre vernet få lov til å fungere automatisk.
4. **Pass på at det nedre vernet alltid dekker bladet før du setter sagen ned på benken eller gulvet.** Et ubeskyttet, roterende blad vil få sagen til å bevege seg bakover mens bladet kapper alt som kommer i dets vei. Vær oppmerksom på at bladet trenger en viss tid for å stoppe etter at bryteren er sluppet.
5. **Kontroller det nedre vernets funksjon ved å åpne det for hånd, slippe det og kontrollere at det lukkes.** Kontroller også at hevehendelen ikke berører verktøyhuset. Et eksponert blad er SVÆRT FARLIG og kan føre til alvorlig personskade.

Flere sikkerhetsadvarsler

1. **Vær ekstra forsiktig ved skjæring i fuktig tre, trykkbehandlet tømmer eller tømmer med kvist.** Unngå overoppheting av bladspissene ved å bevege bladet jevnt fremover uten reduksjon i bladhastigheten.
2. **Ikke forsøk å fjerne kapp mens bladet er i bevegelse. Vent til bladet stopper før du griper det materialet som er kappet.** Bladene roterer fritt etter at maskinen er slått av.
3. **Unngå å skjære i spiker. Se etter og fjern all spiker fra arbeidsemnet før arbeidet påbegynnes.**
4. **Sett den bredeste delen av sagfoten på den delen av arbeidsemnet som er godt støttet opp, ikke på den delen som kommer til å falle av når snittet er fullført. Hvis arbeidsemnet er kort eller lite, må det klemmes fast. IKKE FORSØK Å HOLDE KORTE STYKKER MED HÅNDEN!**

► Fig.5

5. **Før du setter verktøyet ned etter å ha fullført et kutt, må du forvise deg om at vernet er lukket og at bladet har stoppet helt.**
6. **Forsøk aldri å sage mens sirlingsagen holdes opp ned i en skrustikke. Dette er ekstremt farlig og kan forårsake alvorlige ulykker.**

► Fig.6

7. **Enkelte materialer inneholder kjemikalier som kan være giftige. Treff tiltak for å hindre hudkontakt og innånding av støv. Følg leverandørens sikkerhetsanvisninger.**
8. **Ikke stopp bladene ved å presse sideveis på sagbladet.**
9. **Ikke bruk slipeskiver.**
10. **Bruk bare sagbladet med diameter som er merket på verktøyet eller spesifisert i håndboken.** Bruk av et blad med feil størrelse kan påvirke riktig beskyttelse av bladet eller bruk av bladvernet, som kan resultere i alvorlig personskade.
11. **Hold bladet skarpt og rent.** Harpiks og bek som størkner på bladene reduserer turtallet på sagen og øker risikoen for tilbakeslag. Hold bladet rent ved først å ta det av verktøyet og deretter gjøre det rent med en harpiks- og bekfjerner, varmt vann eller parafin. Du må aldri bruke bensin.
12. **Bruk en støvmaske og hørselsvern når du bruker verktøyet.**
13. **Bruk alltid sagbladet som er beregnet på kutting av materialet som du skal kutte.**
14. **Bruk bare sagbladene som er merket med en hastighet som er lik eller høyere enn hastigheten som er merket på verktøyet.**
15. **(Kun land i Europa.)**
Bruk alltid bladet som overholder EN847-1.

TA VARE PÅ DISSE INSTRUKSENE.

⚠ADVARSEL: IKKE LA hensynet til hva som er "behagelig" eller det faktum at du kjenner produktet godt (etter mange gangers bruk) gjøre deg mindre oppmerksom på sikkerhetsreglene for bruken av det aktuelle produktet. Ved MISBRUK eller hvis ikke sikkerhetsreglene i denne bruksanvisningen følges, kan det oppstå alvorlig personskade.

Viktige sikkerhetsanvisninger for batteriinnsetning

1. **Før du begynner å bruke batteriet, må du lese alle anvisninger og forsiktighetsregler på (1) batteriladeren, (2) batteriet og (3) det produktet batteriet skal brukes i.**
2. **Ikke ta fra hverandre batteriet.**
3. **Hvis driftstiden er blitt vesentlig kortere, må du omgående slutte å bruke maskinen. Hvis ikke kan resultatet bli overoppheting, mulige forbrenninger eller til og med en eksplosjon.**
4. **Hvis du får elektrolytt i øynene, må du skylle dem med store mengder rennende vann og oppsøke lege med én gang. Denne typen uhell kan føre til varig blindhet.**

- Ikke kortslutt batteriet:
 - De kan være ekstremt varme og du kan brenne deg.
 - Ikke lagre batteriet i samme beholder som andre metallgjenstander, som for eksempel spiker, mynter osv.
 - Ikke la batteriet komme i kontakt med vann eller regn.

En kortslutning av batteriet kan føre til et kraftig strømstøt, overoppvarming, mulige forbrenninger og til og med til at batteriet går i stykker.

- Ikke lagre maskinen og batteriet på steder hvor temperaturen kan komme opp i eller overskride 50 °C.
- Ikke sett fyr på batteriet, ikke engang om det er sterkt skadet eller helt utslitt. Batteriet kan eksplodere hvis det begynner å brenne.
- Vær forsiktig så du ikke mister batteriet eller utsetter det for slag.
- Ikke bruk batterier som er skadet.
- Lithium-ion-batteriene som medfølger er gjenstand for krav om spesialavfall. For kommersiell transport, f.eks av tredjeparter eller spedtører, må spesielle krav om pakking og merking følges. Før varen blir sendt, må du forhøre deg med en ekspert på farlig materiale. Ta også hensyn til muligheten for mer detaljerte nasjonale bestemmelser. Bruk teip eller maskeringsteip for å skjule åpne kontakter og pakk inn batteriet på en slik måte at den ikke kan bevege seg rundt i emballasjen.
- Følg lokale bestemmelser for avhending av batterier.
- Bruk batteriene kun med produkter spesifisert av Makita. Montere batteriene i produkter som ikke er konforme kan føre til brann, overheting eller elektrolyttlekkasje.

TA VARE PÅ DISSE INSTRUKSENE.

FORSIKTIG: Bruk kun originale Makita-batterier. Bruk av batterier som har endret seg, eller som ikke er originale Makita-batterier, kan føre til at batteriet sprekker og forårsaker brann, personskader og andre skader. Det vil også ugyldiggjøre garantien for Makita-verktøyet og -laderen.

Tips for å opprettholde maksimal batterilevetid

- Lad batteriinnsetningen før den er helt utladet. Stopp alltid driften av verktøyet og lad batteriinnsetningen når du merker at effekten reduseres.
- Lad aldri en batteriinnsetning som er fulladet. Overoplading forkorter batteriets levetid.
- Lad batteriet i romtemperatur ved 10 °C - 40 °C. Et varmt batteri må kjøles ned før lading.
- Lad batteriet hvis det ikke har vært brukt på en lang stund (over seks måneder).

FUNKSJONS BESKRIVELSE

FORSIKTIG: Forviss deg alltid om at maskinen er slått av og batteriet tatt ut før du justerer maskinen eller kontrollerer dens mekaniske funksjoner.

Sette inn eller ta ut batteri

FORSIKTIG: Slå alltid av verktøyet før du setter inn eller fjerner batteriet.

FORSIKTIG: Hold verktøyet og batteripatronen i et fast grep når du monterer eller fjerner batteripatronen. Hvis du ikke holder verktøyet og batteripatronen godt fast, kan du miste grepet, og dette kan føre til skader på verktøyet og batteripatronen samt personskader.

FORSIKTIG: Ta alltid ned foten før du setter inn/fjerner batteriene. Pass på at du ikke klemmer fingrene.

FORSIKTIG: Ikke bruk batteriadapteren med sirkelsagen. Batteriadapterens kabel kan komme i veien under bruk og føre til personskade.

► Fig.7: 1. Hendel 2. Krok 3. Rød indikator 4. Knapp 5. Batteriinnsetning

Før du tar ut batteriet, må du løfte opp kroken og løsne hendelen for dybdejustering slik at du kan senke verktøyfoten. Skyv deretter batteriet ut av verktøyet mens du skyver knappen foran på batteriet.

Når du skal sette inn batteriet, må du plassere tungen på batteriet på linje med sporet i huset og skyve batteriet på plass. Skyv det helt inn til det går i inngrep med et lite klikk. Hvis du kan se den røde anviseren på oversiden av knappen, er det ikke fullstendig låst.

FORSIKTIG: Batteriet må alltid settes helt inn, så langt at den røde anviseren ikke lenger er synlig. Hvis dette ikke gjøres, kan batteriet komme til å falle ut av maskinen og skade deg eller andre som oppholder seg i nærheten.

FORSIKTIG: Ikke bruk makt når du setter i batteriet. Hvis batteriet ikke glir lett inn, er det fordi det ikke settes inn på riktig måte.

MERK: Verktøyet fungerer ikke med kun ett batteri.

Batterivernssystem for verktøy/batteri

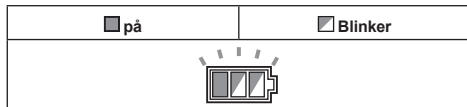
Verktøyet er utstyrt med et batterivernssystem for verktøy/batteri. Dette systemet slår automatisk av strømmen til motoren for å forlenge verktøyets og batteriets levetid. Verktøyet stopper automatisk under drift hvis verktøyet eller batteriet utsettes for en av følgende tilstander. Indikatorene lyser i noen tilfeller.

Overlastsikring

Når verktøyet brukes på en måte som gjør at det bruker unormalt mye strøm, vil verktøyet stoppe automatisk. Hvis dette skjer, må du slå av verktøyet og avslutte bruken som forårsaket at verktøyet ble overbelastet. Slå deretter verktøyet på for å starte det igjen.

Overopphetingsvern

Når verktøyet blir overopphetet, stopper verktøyet automatisk, og batteriindikatoren blinker i ca. 60 sekunder. Hvis dette skjer, må du la verktøyet kjøle seg ned før du slår på verktøyet igjen.



Varsel om overbelastning

Hvis verktøyet påføres for høy belastning, begynner modusindikatoren å blinke grønt. Modusindikatoren slutter å blinke og begynner å lyse uavbrutt, eller slår seg av hvis du reduserer belastningen på verktøyet.

► Fig.8: 1. Modusindikator

Overutladingsvern

Når det blir lite batteri igjen, stopper verktøyet automatisk. Hvis produktet ikke går selv om bryterne aktiveres, må du ta batteriene ut av verktøyet og lade batteriene.

Indikere gjenværende batterikapasitet

► Fig.9: 1. Batteriindikator 2. Kontrollknapp

Trykk på kontrollknappen for vise det gjenværende batterinivået. Batteriindikatorene korresponderer til hvert batteri.

Batteriindikatorstatus			Gjenværende batterikapasitet
På	Av	Blinker	
			50 % til 100 %
			20 % til 50 %
			0 % til 20 %
			Lad batteriet

Indikere gjenværende batterikapasitet

Kun for batterier med indikatoren

► Fig.10: 1. Indikatorlamper 2. Kontrollknapp

Trykk på sjekk-knappen på batteriet for vise gjenværende batterikapasitet. Indikatorlampene lyser i et par sekunder.

Indikatorlamper			Gjenværende batterinivå
Tent	Av	Blinker	
			75 % til 100 %
			50 % til 75 %
			25 % til 50 %
			0 % til 25 %
			Lad batteriet.
			Batteriet kan ha en feil.

MERK: Det angitte nivået kan avvike noe fra den faktiske kapasiteten alt etter bruksforholdene og den omgivende temperaturen.

Funksjon for automatisk hastighetsendring

Dette verktøyet har en modus for høy hastighet og en modus for høyt dreiemoment.

Verktøyet skifter automatisk driftsmodus avhengig av arbeidsbelastningen. Når arbeidsbelastningen er for lav, kjører verktøyet i modus for høy hastighet for raskere saging. Når arbeidsbelastningen er for høy, kjører verktøyet i modus for høyt dreiemoment for kraftig saging.

► Fig.11: 1. Modusindikator

Modusindikatoren begynner å lyse når verktøyet kjører i modus for høyt dreiemoment.

Modusindikatorstatus		Driftsmodus
På	Av	
		Modus for høy hastighet
		Modus for høyt dreiemoment

Justere skjæredybden

⚠️ FORSIKTIG: Når du har justert skjæredybden, må du alltid stramme hendelen godt.

Løsne hendelen på dybdeføringen, og beveg foten opp eller ned. Fest foten ved ønsket skjæredybde ved å stramme hendelen.

For at sagingen skal bli renere og sikrere må du stille inn skjæredybden slik at ikke mer enn én sagtann stikker ut under arbeidsstykket. Hvis skjæredybden er riktig, reduseres risikoen for farlige TILBAKESLAG som kan forårsake personskade.

► Fig.12: 1. Spak

Skråskjæring

⚠️ FORSIKTIG: Etter at du har justert skråvinkelen, må du alltid stramme hendelen godt.

Løsne hendelen, og still inn den ønskede vinkelen ved å vippe på verktøyet, og stram deretter hendelen godt.

► Fig.13: 1. Hendel

Positiv stopper

Den positive stopperen er nyttig når du vil stille inn ønsket vinkel raskt. Dreii den positive stopperen slik at pilen på den peker på ønsket skråvinkel (22,5°/45°/53°). Løsne hendelen, og vipp deretter verktøytøfoten til den stopper. Stillingen der verktøytøfoten stopper er vinkelen du stillte inn med den positive stopperen. Stram hendelen med verktøytøfoten i denne stillingen.

► Fig.14: 1. Positiv stopper

Sikting

For rette kutt, sett innstillingen foran på verktøyet på 0° og jevnt med skjærelinjen. For 45° skråsnitt, sett innstillingen på 45° jevnt med skjærelinjen.

► Fig.15: 1. Skjærelinje (0°-posisjon) 2. Skjærelinje (45°-posisjon)

Bryterfunksjon

⚠️ ADVARSEL: Før du setter batteriet inn i maskinen, må du alltid kontrollere at startbryteren aktiverer maskinen på riktig måte og går tilbake til «AV»-stilling når den slippes.

⚠️ ADVARSEL: ALDRI sett avsperringsknappen ute av funksjon ved å for eksempel teipe over den. En defekt avsperringsknapp kan føre til at maskinen aktiveres utilsikket og alvorlige personskader kan oppstå.

⚠️ ADVARSEL: Maskinen må ALDRI brukes hvis den begynner å gå bare du trykker på startbryteren, uten at du må trykke på avsperringsknappen også. En skadet/defekt bryter kan føre til at maskinen aktiveres utilsikket og alvorlige personskader kan oppstå. Returner maskinen til et Makita-servicesenter for å få den reparert FØR videre bruk.

For å unngå at startbryteren trykkes inn ved en feiltakelse, er maskinen utstyrt med en avsperringsknapp. Trykk på avsperringsknappen og startbryteren for å starte sagingen. Slipp opp bryteren for å stanse verktøyet.

► Fig.16: 1. Startbryter 2. AV-sperreknapp

OBS: Ikke press hardt på startbryteren uten å trykke inn AV-sperreknappen. Dette kan fl bryteren til i brette.

MONTERING

⚠️ FORSIKTIG: Forviss deg alltid om at maskinen er slått av og batteriet tatt ut før du utfører noe arbeid på maskinen.

Demontere eller montere sirkelsagbladet

⚠️ FORSIKTIG: Sørg for at sirkelsagbladet monteres med tennene pekende opp foran på verktøyet.

⚠️ FORSIKTIG: Bruk bare Makita-nøkkelen til å montere eller fjerne sirkelsagbladet.

For å ta av sirkelsagbladet må du trykke på spindellåsen slik at sirkelsagbladet ikke kan rotere og bruke nøkkelen for å løsne sekskantskruen med klokken. Deretter tar du ut sekskantskruen, ringen (landsspesifikk), den ytre flensen og sirkelsagbladet.

► Fig.17: 1. Spindellås 2. Fastnøkkel

For verktøy uten ringen

► Fig.18: 1. Sekskantskrue 2. Ytre flens
3. Sirkelsagblad 4. Indre flens

For verktøy med ringen

► Fig.19: 1. Sekskantskrue 2. Ytre flens
3. Sirkelsagblad 4. Ring 5. Indre flens

Monter sirkelsagbladet ved å følge fremgangsmåten for demontering i motsatt rekkefølge.

For verktøy med indre flens for sagblad med en annen hull diameter enn 15,88 mm

Den indre flensen har et visst diameterfremspring på den ene siden og et annet diameterfremspring på den andre siden. Velg den korrekte siden hvor fremspringet passer perfekt i hullet på sagbladet. Monter den indre flensen på festeakslingen slik at det riktige fremspringet på innerflensen vender utover og plasser deretter sagbladet og den ytre flensen.

► Fig.20: 1. Monteringsskift 2. Indre flens
3. Sirkelsagblad 4. Ytre flens
5. Sekskantskrue

⚠️ ADVARSEL: PASS PÅ AT DU TREKKER SEKSKANTSKRUEEN GODT TIL MOT KLOKKEN. Du må også passe på at skruen ikke strammes for hardt. Hvis hånden glipper fra sekskantnøkkelen, kan det føre til personskade.

⚠️ ADVARSEL: Pass på at fremspringet «a» på den indre flensen som er posisjonert på utsiden passer perfekt i hullet på sagbladet «a». Hvis bladet monteres på feil side, kan det resultere i farlig vibrasjon.

For verktøy med innvendig flens for sagblad med 15,88 mm hull diameter (bestemmes for hvert land)

Monter den indre flensen med den nedsenkede siden utover på festeakslingen og plasser sagbladet, ytterflensen og sekskantskruen (med ringen satt på om nødvendig).

For verktøy uten ringen

- **Fig.21:** 1. Monteringsskaf 2. Indre flens
3. Sirkelsagblad 4. Ytre flens
5. Sekskantskrue

For verktøy med ringen

- **Fig.22:** 1. Monteringsskaf 2. Indre flens
3. Sirkelsagblad 4. Ytre flens
5. Sekskantskrue 6. Ring

⚠ ADVARSEL: PASS PÅ AT DU TREKKER SEKSKANTSKRUEEN GODT TIL MOT KLOKKEN. Du må også passe på at skruen ikke strammes for hardt. Hvis hånden glipper fra sekskantnøkkelen, kan det føre til personskaade.

⚠ ADVARSEL: Hvis ringen er nødvendig for å montere bladet på spindelen, må du forsikre deg om at korrekt akselhulling er satt inn mellom de indre og ytre flensene. Hvis du bruker feil akselhulling, kan bladet bli feilmontert. Ved bruk av feil akselhullskive vil bladet kanskje ikke monteres riktig. Dette kan føre til at bladet begynner å vandre og vibrere kraftig, at du mister kontrollen over maskinen under arbeidet og til alvorlige helseskader.

Rengjøring av bladvern

Når du skifter sirkelsagblad, må du også rengjøre de øverste og nederste bladvernene for akkumulert sagflis, som nevnt i avsnittet Vedlikehold. Du må imidlertid fortsatt kontrollere at nedre bladvern virker før hver gangs bruk.

Koble til støvsuger

MERK: I enkelte land har ikke verktøyet støvmunnstykke.

Hvis du vil skjære så rent som mulig, kan du koble en Makita-støvsuger til verktøyet ditt.

- **Fig.23:** 1. Gummiheite

- **Fig.24:** 1. Gummiheite 2. Støvsuger 3. Slange

Ta gummiheiten av støvmunnstykket og koble støvsugerslangen til støvheten som vist i figuren.

MERK: For å forhindre at du mister gummiheiten, kan du oppbevare den foran på verktøyet.

MERK: Når du ikke bruker støvsugeren, fest gummiheiten på støvmunnstykket.

BRUK

⚠ FORSIKTIG: Sørg for å bevege verktøyet pent fremover i en rett linje. Hvis du bruker makt på eller vrir verktøyet, vil motoren bli overopphetet og maskinen kan slå tilbake mot brukeren. Dette er farlig og kan gi alvorlige personskaader.

MERK: Maskinen fungerer ikke som tiltenkt når batteritemperaturen er for lav. Bruk maskinen til lett saging inntil batteriet er oppvarmet til romtemperatur. Deretter kan maskinen brukes med full kapasitet.

► Fig.25

Hold godt fast i verktøyet. Verktøyet leveres både med fremre og bakre håndtak. Bruk begge for å få best mulig tak på maskinen. Hvis du holder sagen med begge hendene, unngår du å skjære deg på sirkelsagbladet. Sett foten på det arbeidsstykket som skal kappes, uten at sirkelsagbladet kommer borti arbeidsstykket. Slå deretter på maskinen, og vent til sirkelsagbladet oppnår full hastighet. Nå kan du ganske enkelt bevege sagen over overflaten på arbeidsemnet, holde den flatt og bevege den langsomt forover til sagingen er ferdig. For å få rene kutt må du sage i rett linje og med jevn hastighet. Hvis kuttet ikke følger skjærelinjen helt, må du ikke forsøke å dreie eller tvinge verktøyet tilbake til skjærelinjen. Hvis du gjør det, kan sirkelsagbladet sette seg fast og gi farlige tilbakeslag som kan føre til alvorlige kader. Slipp bryteren, vent til sirkelsagbladet stopper og trekk ut maskinen. Still inn maskinen på en ny skjærelinje og begynn sagingen på nytt. Forsøk å unngå en plassering som utsetter operatøren for en sprut av flis og sagmugg fra sagen. Bruk øyevern for å redusere risikoen for skader.

Krok

⚠ FORSIKTIG: Ta alltid ut batteriene før verktøyet henges opp med kroken.

⚠ FORSIKTIG: Du må aldri henge verktøyet høyt opp eller på overflater der det kan velte og falle ned.

⚠ FORSIKTIG: Ikke dra verktøyet nedover når det henger i kroken.

Kroken er praktisk å henge opp verktøyet med for kortere tid. Når du skal bruke kroken, trenger du bare løfte den opp til den åpner seg.

Når kroken ikke skal brukes på en stund, må du alltid senke den så den lukker seg.

- **Fig.26:** 1. Krok

- **Fig.27**

Parallellanlegg (føringslinjal)

Valgfritt tilbehør

Det praktiske parallellanlegget gjør det mulig å foreta ekstra nøyaktige rette kutt. Skyv ganske enkelt parallellanlegget tett opp til siden av arbeidsemnet og fest det med skruen foran på foten. Med parallellanlegget kan du dessuten skjære gjentatte ganger med samme bredde.

- **Fig.28:** 1. Parallellanlegg (føringslinjal)
2. Klemmeskrue

Fangsnor (sikkerhetsstropp)

⚠ Spesielle sikkerhetsadvarsler for bruk i høyden
Les alle sikkerhetsadvarslene og instruksjonene.
Hvis advarsler og instruksjoner ikke følges, kan det føre til alvorlig personskade.

1. Fest alltid verktøyet i en sikkerhetsstropp når du arbeider "i høyden". Maksimal fangsnorlengde er 2 m (6,5 fot).
2. Bare bruk fangsnorer som er tilpasset denne typen verktøy og som er merket for 6,5 kg (14,4 lbs).
3. Fangsnoren for verktøyet må ikke forankres til noe på kroppen din eller til bevegelige komponenter. Fangsnoren for verktøyet må forankres til en stiv konstruksjon som kan motstå krefte hvis verktøyet faller ned.
4. Pass på at fangsnoren er skikkelig sikret i begge ender før bruken.
5. Kontroller at fangsnoren for verktøyet ikke er skadd og fungerer riktig før hver bruk (inkludert stoff og sømmer). Ikke bruk den hvis den er skadd eller ikke fungerer som den skal.
6. Ikke surr fangsnorer rundt, eller la dem komme i kontakt med, skarpe kanter.
7. Fest den andre enden av fangsnoren utenfor arbeidsområdet slik at verktøyet holdes sikkert hvis det faller ned.
8. Fest fangsnoren slik at verktøyet vil bevege seg bort fra brukeren hvis det faller ned. Verktøy som faller ned vil svinge i fangsnoren, og kan føre til personskader eller til at du mister balansen.
9. Ikke bruk den nær bevegelige deler eller maskiner som er i gang. Hvis du gjør det, kan det føre til en innklemming eller at den vikler seg fast.
10. Ikke bær verktøyet i festeinnretningen eller fangsnoren.
11. Du må kun overføre verktøyet fra én hånd til den andre hvis du er i god balanse.
12. Ikke fest fangsnoren til verktøyet på en måte som kan hindre vern, brytere eller AV-sperrer fra å virke som de skal.
13. Unngå å vikle deg inn i fangsnoren.
14. Hold fangsnoren unna verktøyets skjærområde.
15. Bruk fleraksjons karabinkroker med skrulås. Ikke bruk enkelaksjons karabinkrok med fjærlukking.
16. Hvis verktøyet skulle falle ned, må det merkes og tas ut av bruk, og det bør kontrolleres av en Makita-fabrikk eller et autorisert servicesenter.

► Fig.29: 1. Hull for fangsnor (sikkerhetsstropp)

VEDLIKEHOLD

⚠FORSIKTIG: Forviss deg alltid om at maskinen er slått av og batteriet tatt ut før du foretar inspeksjon eller vedlikehold.

⚠FORSIKTIG: Rengjør øvre og nedre vern for å sikre at det ikke finnes oppsamlet sagspon som kan hindre betjening av nedre beskyttelsessystem. Et skittent beskyttelsessystem kan begrense forsvarlig drift og føre til alvorlig personskade. Den mest effektive måten å foreta denne rengjøringen på, er ved bruk av trykkluft. Hvis støvet blåses ut av vernene, pass på at det riktige øye- og åndedrettsvernet brukes.

OBS: Aldri bruk gasolin, bensin, tynner alkohol eller lignende. Det kan føre til misfarging, deformering eller sprekkdannelse.

Justering av 0° kuttnøyaktighet

Denne justeringen er gjort på fabrikken. Men hvis den er unøyaktig, kan du justere i henhold til følgende prosedyre.

1. Løsne hendelen litt på skrålkalaplaten.
2. Gjør foten vinkelrett i forhold til bladet ved hjelp av en trekantet linjal eller firkantet linjal, ved å vri justeringsskruen.

► Fig.30: 1. Trekantlinjal 2. Justeringsskruen

3. Stram hendelen, og foreta deretter en prøvesaging for å kontrollere at kuttet blir vertikalt.

For å opprettholde produktets SIKKERHET og PÅLITELIGHET, må reparasjoner, vedlikehold og justeringer utføres av autoriserte Makita servicesentre eller fabrikk-servicesentre, og det må alltid brukes reservedeler fra Makita.

VALGFRI TTILBEHØR

⚠FORSIKTIG: Det anbefales at du bruker dette tilbehøret eller verktøyet sammen med den Makita-maskinen som er spesifisert i denne håndboken. Bruk av annet tilbehør eller verktøy kan forårsake personskader. Tilbehør og verktøy må kun brukes til det formålet det er beregnet på.

Ta kontakt med ditt lokale Makita-servicesenter hvis du trenger mer informasjon om dette tilbehøret.

- Sirkelsagblad
- Fastnøkkel
- Parallellanlegg (føringslinjal)
- Makita originalbatteri og lader

MERK: Enkelte elementer i listen kan være inkludert som standardtilbehør i verktøypakken. Elementene kan variere fra land til land.

TEKNISEET TIEDOT

Malli:	DRS780		
Terän halkaisija	185 mm		
Suurin leikkuusyvyys	0°:ssa	65 mm	
	45° viisteellä	45 mm	
	53° viisteellä	38 mm	
Kuormittamaton kierrosnopeus	5100 min ⁻¹		
Kokonaispituus	446 mm		
Nimellisjännite	DC 36 V		
Nettopaino	5,0 - 5,7 kg		

- Jatkuvasta tutkimus- ja kehitystyöstämme johtuen esitetyt tekniset tiedot saattavat muuttua ilman erillistä ilmoitusta.
- Tekniset tiedot voivat vaihdella maittain.
- Paino voi olla erilainen lisävarusteista sekä akusta johtuen. EPTA-menettelytavan 01/2014 mukaisesti, taulukossa on kuvattu kevyin ja painavin laiteyhdistelmä.

Käytettävä akkupaketti ja laturi

Akkupaketti	BL1815N / BL1820 / BL1820B / BL1830 / BL1830B / BL1840 / BL1840B / BL1850 / BL1850B / BL1860B
Laturi	DC18RC / DC18RD / DC18RE / DC18SD / DC18SE / DC18SF

- Tiettyjä yläpuolella kuvattuja akkuja ja latureita ei ehkä ole saatavana asuinalueestasi johtuen.

VAROITUS: Käytä vain edellä eriteltyjä akkupaketteja ja latureita. Muiden akkupakettien ja laturien käyttäminen voi aiheuttaa loukkaantumisen ja/tai tulipalon.

Käyttötarkoitus

Työkalu on tarkoitettu puun pitkittäiseen, poikittaiseen ja jiirisahaukseen siten, että saha on koko ajan välittömässä kosketuksessa työkappaleeseen.

Melutaso

Tyypillinen A-painotettu melutaso määräytyy standardin EN62841-2-5 mukaan:

Äänenpainetaso (L_{pA}): 92 dB (A)

Äänen voiman taso (L_{WA}): 103 dB (A)

Virhemarginaali (K): 3 dB (A)

HUOMAA: Ilmoitetut melutasoarvot on mitattu standarditestausmenetelmän mukaisesti ja niiden avulla voidaan vertailla työkaluja keskenään.

HUOMAA: Ilmoitettuja melutasoarvoja voidaan käyttää myös altistumisen alustavaan arviointiin.

VAROITUS: Käytä kuulosuojaimia.

VAROITUS: Sähkötyökalun käytön aikana mitattu melutasoarvo voi poiketa ilmoitetuista arvoista laitteen käyttötavan ja erityisesti käsiteltävän työkappaleen mukaan.

VAROITUS: Selvitä käyttäjän suojaamiseksi tarvittavat varoimet todellisissa käyttöolosuhteissa tapahtuvan arvioidun altistumisen mukaisesti (ottaen huomioon käyttöjaksot kokonaisuudessaan, myös jaksot, joiden aikana laite on sammutettuna tai käy tyhjäkäynnillä).

Tärinä

Kokonaistärinä (kolmen akselin vektorien summa) määräytyy standardin EN62841-2-5 mukaan:

Työtila: puun leikkaaminen

Tärinäpäästö ($a_{h,w}$): 2,5 m/s² tai alhaisempi

Virhemarginaali (K): 1,5 m/s²

HUOMAA: Ilmoitetut kokonaistärinäarvot on mitattu standarditestausmenetelmän mukaisesti ja niiden avulla voidaan vertailla työkaluja keskenään.

HUOMAA: Ilmoitettuja kokonaistärinäarvoja voidaan käyttää myös altistumisen alustavaan arviointiin.

VAROITUS: Sähkötyökalun käytön aikana mitattu todellinen tärinäpäästöarvo voi poiketa ilmoitetuista arvoista laitteen käyttötavan ja erityisesti käsiteltävän työkappaleen mukaan.

VAROITUS: Selvitä käyttäjän suojaamiseksi tarvittavat varoimet todellisissa käyttöolosuhteissa tapahtuvan arvioidun altistumisen mukaisesti (ottaen huomioon käyttöjaksot kokonaisuudessaan, myös jaksot, joiden aikana laite on sammutettuna tai käy tyhjäkäynnillä).

EY-vaatimustenmukaisuusvakuutus

Koskee vain Euroopan maita

EY-vaatimustenmukaisuusvakuutus on liitetty tähän käyttöoppaaseen.

TURVAVAROITUKSET

Sähkötyökalujen käyttöä koskevat yleiset varoitukset

VAROITUS: Tutustu kaikkiin tämän sähkötyökalun mukana toimitettuihin varoituksiin, ohjeisiin, kuviin ja teknisiin tietoihin. Seuraavassa luettelujen ohjeiden noudattamatta jättäminen saattaa johtaa sähköiskuun, tulipaloon tai vakavaan vammautumiseen.

Säilytä varoitukset ja ohjeet tulevaa käyttöä varten.

Varoituksissa käytettävällä termillä ”sähkötyökalu” tarkoitetaan joko verkkovirtaa käyttävää (johdollista) työkalua tai akkukäyttöistä (johdotonta) työkalua.

Akkukäyttöisen pyörösahan turvallisuusohjeet

Sahausohjeet

- VAARA:** Pidä kädet loitolla sahauslinjalta ja terästä. Pidä toista kättä apukahvalla tai moottorin kotelon päällä. Jos pidät kiinni sahasta molemmin käsin, terä ei voi vahingoittaa käsiä.
 - Älä korota työkappaleen alapuolelle.** Suojus ei suojaa terältä työkappaleen alapuolella.
 - Säädä leikkaussyvyys työkappaleen paksuuden mukaan.** Pienempi osa kuin terän täysin hammas tulee olla näkyvillä työkappaleen alapuolella.
 - Älä koskaan pidä työkappaletta käsissäsi tai jalkojesi välissä leikkaamisen aikana. Kiinnitä työkappale tukevaan jalustaan.** On tärkeää, että työkappale tuetaan luotettavasti loukkaantumisriskin, terän juuttumisen ja laitteen hallinnan menettämisen välttämiseksi.
- **Kuva 1**
- Pidä sähkötyökalua vain sen eristetyistä tartuntapinnoista, kun on mahdollista, että sen leikkuuterä osuu piilossa oleviin johtoihin.** Jos sähkötyökalun metalliosa joutuu kosketukseen jännitteellisen virtajohdon kanssa, laitteen sähköä johtavat metalliosat voivat aiheuttaa käyttäjälle sähköiskun.
 - Käytä halkaisuun aina halkaisu- tai sivuohjainta.** Se parantaa sahaustarkkuutta ja vähentää terän juuttumista.
 - Käytä aina oikeankokoisia ja -muotoisia teriä (timanttii vs. pyöreä).** Terät, jotka eivät sovi työkalun kiinnityslaitteisiin, pyörivät epäkeskeisesti ja aiheuttavat sahan ohjauksen menetyksen.
 - Älä koskaan käytä viallisia tai vääriä terän aluslevyjä tai pultteja.** Terän aluslaatat ja pultit on suunniteltu erityisesti tälle sahalle ja takaavat parhaan suorituskyvyn ja turvallisuuden.

Takapotku ja siihen liittyvät varoitukset

- takapotku on äkillinen reaktio, jonka aiheuttaa kiinni juuttunut, vääntynyt tai väärien kohdistettu terä, joka saa sahan hypähtämään irti työkappaleesta käyttäjää kohti;

- jos terä juuttuu tai jumittuu tiukkaan sahausuraan, terä pysähtyy ja moottorin suojaus kääntää sen pyörimissuunnan nopeasti taaksepäin käyttäjää kohti;
- jos terä vääntyy tai sen kohdistus muuttuu sahaessa, terän takaosan hampaat voivat pureutua puun pintakerrokseen, jolloin terä nousee ylös urasta ja saha ponnahtaa käyttäjään kohti.

Takapotku johtuu sahan virheellisestä käytöstä ja/tai vääristä käyttöolosuhteista. Takapotku voidaan välttää noudattamalla seuraavia varotoimia.

- Ota sahasta tukeva ote molemmin käsin ja pidä käsiä sellaisessa asennossa, että voit ottaa vastaan mahdollisen takapotkun aiheuttamat voimat.** Sijoita vartalo jommallekummalle puolelle terää, mutta ei terän suuntaisesti. Takapotku voi aiheuttaa sahan ponnahtamisen taaksepäin, mutta käyttäjä voi hallita sen voimat, jos takapotkuun varaudutaan asianmukaisin varotoimin.
- Jos terä jumittuu tai jos keskeyttää leikkaamisen jostakin muusta syystä, vapauta liipaisinkytkin ja pidä saha paikoillaan työkappaleessa, kunnes terä on täysin pysähtynyt. Älä koskaan yritä poistaa sahaa työkappaleesta tai vetää sahaa taaksepäin, kun terä liikkuu tai seurauksena voi olla takapotku.** Tutki ja korjaa mahdolliset syyt, jotka aiheuttavat terän jumiumisen.
- Kun saha käynnistetään uudelleen työkappaleessa, keskitä sahanterä sahausuraan ja tarkista, että sahan hampaat eivät ole kiinni materiaalissa.** Jos terä on jumissa, se saattaa hypähtää työkappaleesta tai aiheuttaa takapotkun käynnistettäessä sahaa uudelleen.
- Tue suuria paneeleja, jotta minimoit terien jumiumisen ja takapotkujen riskin.** Suurilla paneeleilla on tapana taipua oman painonsa vaikutuksesta. Levy on tuettava molemmilta puolilta sahauslinjan vierestä ja reunoilta.

► **Kuva 2**

► **Kuva 3**

- Älä käytä tylsiä tai voittuneita teriä.** Tylsät tai vääriin asetetut terät tekevät kapean sahausuran, josta on seurauksena ylimääräistä kitkaa, terän taipuminen ja takapotku.
- Terän syvyys ja viisteen säädön lukitusvivut on oltava tiukalla ennen leikkauksen suoritusta.** Jos terän asetus siirtyy leikkauksen aikana, seurauksena voi olla terän jumiuminen ja takapotku.
- Ole erityisen varovainen, kun sahaat umpinaisia seinäpintoja tai jos ei muuten näe sahatavaa kohdetta.** Läpitukeutuva terä voi leikata kohteita, jotka saattavat aiheuttaa takapotkun.
- PIDÄ AINA koneesta tukevasti molemmin käsin. ÄLÄ KOSKAAN pidä kättä, jalkaa tai muuta ruumiinosaa työkalun pohjan alapuolelle tai sahan taakse, varsinkaan katkaisussa.** Jos saha potkaisee taakse, se voi helposti ponnahtaa käsille ja aiheuttaa vakavia vammoja.

► **Kuva 4**

- Älä koskaan sahaa väkisin. Työnnä sahaa eteenpäin sellaisella nopeudella, että terä leikkaa hidastumatta.** Sahan pakottaminen voi aiheuttaa epätasaista leikkausjälkeä, tarkkuuden vähenemistä ja mahdollisesti takapotkun.

Suojuksen toiminta

- Varmista alasuojuksen sulkeutuminen ennen jokaista käyttökertaa. Älä käytä sahaa, jos alasuojus ei liiku vapaasti ja sulkeudu heti. Älä koskaan sido alasuojusta auki-asentoon.** Jos saha putoaa vahingossa, alasuojus voi taittua. Nosta alasuojusta sisään vedettävästä kahvasta ja varmista, että suojus liikkuu vapaasti eikä kosketa terää tai muita osia missään leikkauskulmassa tai -syvyydessä.
- Tarkista alasuojuksen jousen toiminta. Jos suojus ja jousi eivät toimi oikein, ne tulee huoltaa ennen käyttöä.** Alasuojus saattaa toimia hitaasti johtuen voittuneista osista, tahmeasta karstasta tai jäännösten kasautumisesta.
- Alasuojus voidaan vetää taakse käsin vain silloin, kun sahataan umpinaisia pintoja.** Nosta alasuojus vedettävästä kahvasta ja heti, kun terä leikkaa materiaalin, alasuojus tulee vapauttaa. Kaikessa muussa sahauskessa alasuojuksen tulee antaa toimia automaattisesti.
- Huomioi aina, että alasuojus peittää terän ennen kuin asetat sahan penkille tai lattialle.** Suojaamaton ja vapaasti liikkuva terä voi aiheuttaa sahan siirtymisen taaksepäin leikaten mitä sen eteen tulee. Ota huomioon se aika, jonka terän pysähtyminen sahan sammuttamisen jälkeen vaatii.
- Voit tarkistaa alasuojuksen avamalla sen käsin ja sitten vapauttamalla seuraten samalla, miten se sulkeutuu.** Varmista myös, ettei sisään vedettävä kahva osu leikkurin koteloon. Terän jättäminen ilman suojusta on ERITTÄIN VAARALLISTA ja voi johtaa vakaviin vammoihin.

Turvallisuutta koskevia lisävaroituksia

- Ole erityisen varovainen, jos sahaat kosteaa, painekyllästettyä tai oksaista puuta.** Vältä terän ylikuumenemista säätämällä terän nopeus sellaiseksi, että sahaus etenee sujuvasti terän nopeuden hidastumatta.
- Älä yritä poistaa leikattua materiaalia, kun terä on vielä liikkeessä.** Odota, kunnes terä pysähtyy, ennen kuin tartut sahattuun kappaleeseen. Terä pyörii vielä jonkin aikaa sen jälkeen, kun saha on sammutettu.
- Vältä naulojen sahaamista.** Tarkista puutavara ja poista kaikki naulat ennen sahausta.
- Aseta sahan alustan leveämpi puoli työkapaleen tuetun osan päälle, älä sahattaessa irtoavan osan päälle.** Jos työkapale on lyhyt tai pieni, kiinnitä se ruuvipenkkiin. **ÄLÄ YRITÄ PITÄÄ LYHYTTÄ TYÖKAPALETTA PAIKOILLAAN KÄSIN!**

► Kuva5

- Ennen sahan laskemista käsistäsi, varmista, että suojus on sulkeutunut ja terä on täysin pysähtynyt.**
- Älä koskaan yritä leikata sirkkeliillä, joka on ylösalaisin viilapenkillä.** Tämä on erittäin vaarallista ja voi johtaa vakaviin vammoihin.

► Kuva6

- Jotkin materiaalit sisältävät kemikaaleja, jotka voivat olla myrkyllisiä.** Huolehdi siitä, että pölyn sisäänhengittäminen ja ihokosketus estetään. Noudata materiaalin toimittajan turvaohjeita.

- Älä pysäytä teriä painamalla sivusta sahanterää.**
- Älä käytä minkäänlaisia hiomalaikkoja.**
- Käytä vain sahanteriä, joiden halkaisija on sama kuin työkaluun merkitty tai ohjekirjassa mainittu.** Vääränkokoisien terän käyttäminen voi vaikuttaa terän suojukseen tai itse terän toimivuuteen ja aiheuttaa vakavia vammoja.
- Pidä terät terävinä ja puhtaina.** Terään kovetunut pinna hidastaa sahaamista ja lisää takapotkun vaaraa. Pidä terä puhtaan irrottamalla se sahasta ja puhdistamalla pikkanpoistoaineella, kuumalla vedellä tai petrolilla. Älä käytä koskaan puhdistukseen bensiiniä.
- Käytä työkalua käyttäessäsi hengitys- ja kuulosuojaimia.**
- Käytä aina sahattavalle materiaalille tarkoitettua sahanterää.**
- Käytä vain sahanteriä, joiden merkitty nopeus on vähintään yhtä suuri tai suurempi kuin työkaluun merkitty nopeus.**
- (Ainoastaan Euroopan valtiot)** Käytä aina sahanteriä, jotka noudattavat standardin EN847-1 vaatimuksia.

SÄILYTÄ NÄMÄ OHJEET.

VAROITUS: ÄLÄ anna työkalun helppokäyttöisyyden (toistuvan käytön aikaansaama) johtaa sinua väärään turvallisuuden tunteeseen niin, että laiminlyöt työkalun turvaohjeiden noudattamisen. **VÄÄRINKÄYTTÖ** tai tässä käyttöohjeessa ilmoitettujen turvamääräysten laiminlyönti voi aiheuttaa vakavia henkilövahinkoja.

Akkupakettia koskevia tärkeitä turvaohjeita

- Ennen akun käyttöönottoa tutustu kaikkiin laturissa (1), akussa (2) ja akkukäyttöisessä tuotteessa (3) oleviin varoitusteksteihin.**
- Älä pura akkua.**
- Jos akun toiminta-aika lyhenee merkittävästi, lopeta akun käyttö.** Seurauksena voi olla ylikuumeneminen, palovammoja tai jopa räjähdys.
- Jos akkunestettä pääsee silmiin, huuhtele puhtaalla vedellä ja hakeudu välittömästi lääkärin hoitoon.** Akkuneste voi aiheuttaa näön menetyksen.
- Älä oikosulje akkua.**
 - Älä koske akun napoihin millään sähköä johtavalla materiaalilla.**
 - Vältä akun oikosulkemista äläkä säilytä akkua yhdessä muiden metalliesineiden, kuten naulojen, kolikoiden ja niin edelleen kanssa.**
 - Älä aseta akkua alttiiksi vedelle tai sateelle.****Oikosulku voi aiheuttaa virtapiikin, ylikuumenemista, palovammoja tai laitteen rikkoontumisen.**
- Älä säilytä työkalua ja akkua paikassa, jossa lämpötila voi nousta 50 °C:een tai sitäkin korkeammaksi.**

7. Älä hävitä akkua polttamalla, vaikka se olisi pahoin vaurioitunut tai täysin loppuun kulunut. Avotuli voi aiheuttaa akun räjähtämisen.
8. Varo kolhimasta tai pudottamasta akkua.
9. Älä käytä viallista akkua.
10. Sisältyviä litium-ioni-akkuja koskevat vaarallisten aineiden lainsäädännön vaatimukset. Esimerkiksi kolmansien osapuolten huolintaliikkeiden tulee kaupallisissa kuljetuksissa noudattaa pakkaamista ja merkintöjä koskevia erityisvaatimuksia. Lähetettävän tuotteen valmistelu edellyttää vaarallisten aineiden asiantuntijan neuvontaa. Huomioi myös mahdollisesti yksityiskohtaisemmat kansalliset määräykset. Akun avoimet liittimet tulee suojata teipillä tai suojuksella ja pakkaaminen tulee tehdä niin, ettei akku voi liikkua pakkauksessa.
11. Hävitä akku paikallisten määräysten mukaisesti.
12. Käytä akkuja vain Makitan ilmoittamien tuotteiden kanssa. Akkujen asentaminen yhteensopimattomiin tuotteisiin voi aiheuttaa tulipalon, liiallisen ylikuumentumisen, räjähdyksen tai akkuneuvuotoja.

SÄILYTÄ NÄMÄ OHJEET.

⚠HUOMIO: Käytä vain alkuperäisiä Makita-akkuja. Muiden kuin aitojen Makita-akkujen, tai mahdollisesti muutettujen akkujen käyttö voi johtaa akun murtumiseen ja aiheuttaa tulipaloja, henkilö- ja omaisuusvahinkoja. Se mitätöi myös Makita-työkalun ja -laturin Makita-takuun.

Vihjeitä akun käyttöön pidentämiseksi

1. Lataa akku ennen kuin se purkautuu täysin. Lopeta aina työkalun käyttö ja lataa akku, jos huomaat työkalun tehon vähenevän.
2. Älä koskaan lataa uudestaan täysin ladattua akkua. Yliilataaminen lyhentää akun käyttöikää.
3. Lataa akku huoneen lämpötilassa välillä 10 °C - 40 °C. Anna kuuman akun jäähtyä ennen lataamista.
4. Lataa akkupaketti, jos et käytä sitä pitkään aikaan (yli kuusi kuukautta).

TOIMINTOJEN KUVAUS

⚠HUOMIO: Varmista aina ennen säätöjä ja tarkastuksia, että työkalu on sammutettu ja akkupaketti irrotettu.

Akun asentaminen tai irrottaminen

⚠HUOMIO: Sammuta työkalu aina ennen akun kiinnittämistä tai irrottamista.

⚠HUOMIO: Pidä työkalusta ja akusta tiukasti kiinni, kun irrotat tai kiinnität akkua. Jos akkupaketti tai työkalu putoaa, ne voivat vaurioitua tai aiheuttaa tapaturman.

⚠HUOMIO: Laseke jalusta aina alas akkujen asennuksen/irrotuksen aikana. Varo, etteivät sormesi jää puristukseen.

⚠HUOMIO: Älä käytä akkusovittinta pyörösahan kanssa. Akkusovittimen johto voi haitata käyttöä ja aiheuttaa henkilövahingon.

► Kuva7: 1. Vipu 2. Koukku 3. Punainen merkkivalo 4. Painike 5. Akkupaketti

Ennen akun irrottamista, nosta koukku ylös ja löysää syvyydensäätövipua laitejalustan laskemiseksi. Vedä akku ulos laitteesta samalla liu'uttamalla akku etupuolella olevaa painiketta.

Akku liitetään sovitamalla akun kieleke rungon uraan ja työntämällä se sitten paikoilleen. Työnnä akku pohjaan asti niin, että kuulet sen napsahavan paikoilleen. Jos painikkeen yläpuolella näkyy punainen ilmaisin, akku ei ole lukkiutunut täysin paikoilleen.

⚠HUOMIO: Työnnä akku aina pohjaan asti, niin että punainen ilmaisin ei enää näy. Jos akku ei ole kunnolla paikallaan, se voi pudota työkalusta ja aiheuttaa vammoja joko sinulle tai sivullisille.

⚠HUOMIO: Älä käytä voimaa akun asennuksessa. Jos akku ei liu'u paikalleen helposti, se on väärässä asennossa.

HUOMAA: Laite ei toimi yhdellä akulla.

Työkalun/akun suojausjärjestelmä

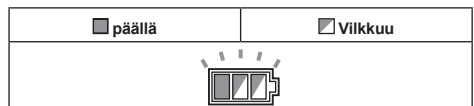
Työkalu on varustettu työkalu/akun suojausjärjestelmällä. Tämä järjestelmä pidentää työkalun ja akun käyttöikää katkaisemalla automaattisesti moottorin virran. Työkalu pysähtyy automaattisesti kesken käytön, jos työkalussa tai akussa ilmenee jokin seuraavista tilanteista: Joissakin tilanteissa merkkivalot syttyvät.

Ylikuormitussuoja

Kun akkua käytetään tavalla, joka saa sen kuluttamaan epätavallisen suuren määrän virtaa, laite pysähtyy automaattisesti. Katkaise tässä tilanteessa laitteesta virta ja lopeta ylikuormitusilman aiheuttanut käyttö. Käynnistä sitten laite uudelleen kytkemällä siihen virta.

Ylikuumentussuoja

Kun laite ylikuumentaa, se pysähtyy automaattisesti ja akku merkkivalo vilkkuu noin 60 sekunnin ajan. Tässä tapauksessa anna laitteen jäähtyä, ennen kuin kytket sen uudelleen päälle.



Ylikuormituksen hälytys

Jos laitetta käytetään äärimmäisellä kuormituksella, tilan merkkivalo vilkkuu vihreänä. Tilan merkkivalo sammuu ja syttyy uudelleen, tai merkkivalo sammuu jos alennat laitteen kuormitusta.

► **Kuva8:** 1. Tilan merkkivalo




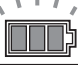
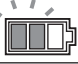
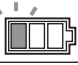
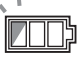
Ylipurkautumissuoja

Jos akun varaus käy vähiin, työkalu pysähtyy automaattisesti. Jos työkalu ei toimi, vaikka kytkimiä käytetään, irrota akut työkalusta ja lataa ne.

Akun jäljellä olevan varaustason ilmaisin

► **Kuva9:** 1. Akun merkkivalo 2. Tarkistuspainike

Painamalla tarkistuspainiketta saat näkyviin akun varaustason. Kumpikin akun ilmaisin vastaa yhtä akkua.











Akun merkkivalon tila			Akkusa jäljellä oleva varaus
 Päällä	 Pois päältä	 Vilkkuu	
			50 % - 100 %
			20 % - 50 %
			0 % - 20 %
			Lataa akku

Akun jäljellä olevan varaustason ilmaisin

Vain akkupaketeille ilmaisimella

► **Kuva10:** 1. Merkkivalo 2. Tarkistuspainike

Painamalla tarkistuspainiketta saat näkyviin akun jäljellä olevan varauksen. Merkkivalot palavat muutaman sekunnin ajan.

Merkkivalot			Akkusa jäljellä olevan varaus
 Palaa	 Pois päältä	 Vilkkuu	
			75% - 100%
			50% - 75%
			25% - 50%
			0% - 25%
			Lataa akku.
			Akkusa on saattanut olla toimintahäiriö.
			

HUOMAA: Ilmoitettu varaustaso voi erota hieman todellisesta varaustasosta sen mukaan, millaisissa oloissa ja missä lämpötilassa laitetta käytetään.





Automaattinen nopeudenvaihtotoiminto

Tässä laitteessa on "suuren nopeuden tila" ja "suuren vääntömomentin tila".

Laitte muuttaa toimintatilaa automaattisesti työkuormituksen mukaan. Kun työkuormitus on alhainen, laite toimii "suuren nopeuden tilassa" varmistaen nopeaman sahaustoiminnon. Kun työkuormitus on korkea, laite toimii "suuren vääntömomentin tilassa" varmistaen tehokkaamman sahaustoiminnon.

► **Kuva11:** 1. Tilan merkkivalo

Tilan merkkivalo syttyy käytön aikana laitteen ollessa "suuren vääntömomentin tilassa".

Tilan merkkivalon tila		Toimintatila
 Päällä	 Pois päältä	
		Suuren nopeuden tila
		Suuren vääntömomentin tila

Leikkaussyvyyden säätäminen

HUOMIO: Kiristä kahva luotettavasti aina leikkaussyvyyden säätämisen jälkeen.

Löysää syvyyttulkissa olevaa vipua ja siirrä jalustaa ylös tai alas. Kun sopiva leikkaussyvyys on säädetty, lukitse jalusta kiristämällä vipua.

Aseta syvyys niin, että vain yksi terän hammas ulottuu työkalupaleen alapinnan ulkopuolelle, jolloin leikkauks jäljestä tulee siisti ja itse leikkaus on turvallisempaa. Oikea leikkaussyvyys vähentää henkilövahinkoja ja aiheutavien mahdollisten TAKAPOTKUJEN vaaraa.

► **Kuva12:** 1. Vipua

Viistosahaus

HUOMIO: Kun viistekulma on säädetty, kiristä aina vipu luotettavasti.

Löysää vipua ja aseta haluttu kulma kallistamalla laitetta haluttuun kulmaan ja kiristä sitten vipu luotettavasti.

► **Kuva13:** 1. Vipua

Positiivinen pysäytin

Positiivinen pysäytin on hyödyllinen nopean kohdekulman asettamiseen. Kierrä positiivista pysäytintä siten, että sen kärjessä oleva nuoli osoittaa valitsemaasi viistekulmaan (22,5°/45°/53°). Löysää vipua ja tämän jälkeen kallista laitejalustaa sen pysähtymiseen asti. Kohta, missä laitejalusta pysähtyy on positiivisella pysäyttimellä asettamasi kulma. Kiristä vipua laitejalustan ollessa tässä asennossa.

► **Kuva14:** 1. Positiivinen pysäytin

Tähtäys

Kun haluat sahata suoraan, kohdista pohjan etuosan 0°-kohta sahauslinjaan. Kun haluat tehdä 45°:n viisteitä, kohdista 45°-kohta sahauslinjaan.

► **Kuva15:** 1. Leikkuulinja (0° -asento) 2. Leikkuulinja (45° -asento)

Kytkimen käyttäminen

VAROITUS: Tarkista aina ennen akkupaketin asettamista työkaluun, että liipaisinkytkin kytkeytyy oikein ja palaa ”OFF”-asentoon, kun se vapautetaan.

VAROITUS: ÄLÄ KOSKAAN ohita lukituksen vapautuspainiketta teippaamalla sitä kiinni tai muulla tavoin. Jos kytkimen lukituksen vapautuspainike vapautetaan, laite saattaa käynnistyä vahingossa, mistä voi seurata vakava henkilövahinko.

VAROITUS: ÄLÄ KOSKAAN käytä sahaa, jos se käynnistyy pelkästään liipaisinkytkintä painamalla ilman, että painaisit lukituksen vapautuspainiketta. Jos kytkin on viallinen, laite saattaa käynnistyä vahingossa, mistä voi seurata vakava henkilövahinko. Toimita työkalu Makita-huoltoon korjattavaksi ENNEN kuin jatkat käyttöä.

Lukituksen vapautusnappi ehkäisee liipaisinkytkimen tahattoman vetämisen. Käynnistä työkalu painamalla lukituksen vapautuspainike sisään ja vetämällä liipaisinkytkimestä. Voit pysäyttää työkalun vapauttamalla liipaisinkytkimen.

► **Kuva16:** 1. Liipaisinkytkin 2. Lukituspainike

HUOMAUTUS: Älä vedä kytkimen liipaisinta voimakkaasti, ellei samalla paina lukituksen vapautusnappia. Kytkin voi rikkoutua.

KOKOONPANO

HUOMIO: Varmista aina ennen mitään työkalulle tehtäviä toimenpiteitä, että se on sammutettu ja akku irrotettu.

Pyörösahanterän irrotus ja kiinnitys

HUOMIO: Varmista, että terä on asennettu hampaat sahan etuosassa osoittamaan ylöspäin.

HUOMIO: Käytä terän irrottamiseen ja kiinnittämiseen vain Makitan kiintoavainta.

Pyöröterä irrotetaan painamalla karalukitusta täysin niin, että pyörösahanterä ei pääse pyörimään ja löysäämällä sitten kuusiopulttia kiintoavaimella myötöpäivään. Poista sitten kuusiopultti, rengas (maakohtainen), ulompi laippa ja pyörösahanterä.

► **Kuva17:** 1. Karalukko 2. Kiintoavain

Työkaluille, jossa ei ole rengasta

► **Kuva18:** 1. Kuusiopultti 2. Ulkolaippa
3. Pyörösahanterä 4. Sisälaippa

Työkaluille, jossa on rengas

► **Kuva19:** 1. Kuusiopultti 2. Ulkolaippa
3. Pyörösahanterä 4. Rengas 5. Sisälaippa

Sahanterä kiinnitetään irrottamiseen nähden päinvastaisessa järjestyksessä.

Työkalu, jossa on jokin muu kuin 15,88 mm:n reiällä varustetulle terälle tarkoitettu sisälaippa

Sisälaipan ulkoneman halkaisija on erilainen eri puolilla laippaa. Valitse se puoli, jonka ulkonema sopii sahanterän reikään. Kiinnitä sisälaippa sitten asennusakseliin siten, että haluamasi sisälaipan uloke osoittaa ulospäin, ja aseta sahanterä ja ulkolaippa paikalleen.

► **Kuva20:** 1. Asennusakseli 2. Sisälaippa
3. Pyörösahanterä 4. Ulkolaippa
5. Kuusiopultti

VAROITUS: MUISTA KIRISTÄÄ KUUSIOPULTTI TIUKASTI VASTAPÄIVÄÄN KIERTÄMÄLLÄ. Varo myös kiristämästä pulttia väkisin. Kätesi lipsahtaminen kuusioavaimesta voi aiheuttaa tapaturman.

VAROITUS: Varmista, että sisälaipan ulospäin osoittava ulkonema ”a” sopii tarkasti sahanterän reikään ”a”. Terän asentaminen väärälle puolelle saattaa aiheuttaa vaarallista tärinää.

Työkalu, jossa on 15,88 mm:n reiällä varustettuun sahanterään sopiva sisälaippa (maakohtainen)

Kiinnitä sisälaippa akseliin siten, että sen syvennys on ulospäin, ja aseta sitten sahanterä (tarvittaessa renkaan kanssa), ulkolaippa ja kuusiopultti paikalleen.

Työkaluille, jossa ei ole rengasta

► **Kuva21:** 1. Asennusakseli 2. Sisälaippa
3. Pyörösahanterä 4. Ulkolaippa
5. Kuusiopultti

Työkaluille, jossa on rengas

► **Kuva22:** 1. Asennusakseli 2. Sisälaippa
3. Pyörösahanterä 4. Ulkolaippa
5. Kuusiopultti 6. Rengas

VAROITUS: MUISTA KIRISTÄÄ KUUSIOPULTTI TIUKASTI VASTAPÄIVÄÄN KIERTÄMÄLLÄ. Varo myös kiristämästä pulttia väkisin. Kätesi lipsahtaminen kuusioavaimesta voi aiheuttaa tapaturman.

VAROITUS: Jos rengasta tarvitaan terän sovitamiseen karalle, varmista aina, että sisä- ja ulkolaippojen väliin on asennettu käytettävän terän akselin reikään sopiva rengas. Vääränlaisen renkaan käyttäminen voi aiheuttaa terän virheellisen kiinnityksen, jolloin terä pääsee liikkumaan ja tärisee voimakkaasti, minkä seurauksena voi olla työkalun hallinnan menetys ja vakava henkilövahinko.

Teräsuojuksen puhdistus

Muista pyörösahanterän vaihdon yhteydessä puhdistaa terän ylä- ja alasuojus niihin kertyneestä sahanpurusta Kunnossapito-kohdassa kuvatulla tavalla. Tarkista näistä toimenpiteistä huolimatta aina alasuojuksen toiminta ennen jokaista käyttökertaa.

Pölynimurin kytkeminen

HUOMAA: Joissakin maissa työkalussa ei ole pölysuutinta.

Jos haluat suorittaa siistin sahaustyön, liitä laitteeseesi Makita-pölynimuri.

► **Kuva23:** 1. Kumisuojaus

► **Kuva24:** 1. Kumisuojaus 2. Pölynimuri 3. Letku

Poista kumikupu pölysuuttimesta ja kiinnitä pölynimurin letku kuvassa näytetyllä tavalla.

HUOMAA: Säilytä kumikupua työkalun etuosassa, jotta se ei katoa.

HUOMAA: Kun et käytä pölynimuria, pidä kumikupu pölysuuttimen suojana.

TYÖSKENTELY

▲HUOMIO: Työnnä työkalua kevyesti suoraan eteenpäin. Työkalun pakottaminen tai vääntäminen johtaa moottorin ylikuumentumiseen ja voi aiheuttaa vaarallisen takapotkun ja vakavia vammoja.

HUOMAA: Jos akku on kylmä, työkalu ei ehkä toimi täydellä teholla. Silloin voit esimerkiksi käyttää työkalua kevyisiin tehtäviin, kunnes akku lämpenee huoneenlämpöiseksi. Tämän jälkeen työkalua voi taas käyttää täydellä teholla.

► **Kuva25**

Ota koneesta luja ote. Laitteessa on sekä etu- että takakahva. Tartu sahaan molemmista. Jos pidät kiinni työkalusta molemmin käsin, et voi loukata käsiä terään. Aseta leikkurin pohja leikkattavan työkalupaleen päälle ilman, että pyörösahanterä koskee työkalupaleeseen missään kohdassa. Käynnistä sitten työkalu ja odota, kunnes terä saavuttaa täyden nopeuden. Siirrä nyt työkalua eteenpäin työkalupaleen pinnan yli pitämällä sitä tasaisena ja edeten sillä tasaisesti, kunnes sahaus on valmis.

Siistin leikkausten saavuttamiseksi, pidä sahauslinja suorana ja etenemisnopeutesi tasaisena. Jos sahaus menee vinoon, älä yritä vääntää tai pakottaa leikkuria oikeaan linjaan. Pyörösahanterä voi jumiuua ja aiheuttaa vaarallisen takapotkun ja mahdollisesti henkilövammoja. Vapauta liipaisinkytkin ja odota, kunnes terä pysähtyy ja ota sen jälkeen työkalu pois. Kohdista saha uuteen linjaan ja aloita uudestaan. Yritä asettaa sellaiseen kohtaan, jossa et joudu alttiiksi sahasta lentävälle purulle ja lastuille. Käytä suojalaseja vammojen välttämiseksi.

Koukku

▲HUOMIO: Poista akut aina ripustaessasi laitteen sen koukulla.

▲HUOMIO: Älä koskaan ripusta laitetta korkeisiin paikkoihin tai pinnoille, missä laite voi menettää tasapainonsa ja pudota alas.

▲HUOMIO: Älä vedä ripustettua laitetta alaspäin.

Laite voidaan kätevästi ripustaa väliaikaisesti koukkuun. Käytä koukkuja yksinkertaisesti nostamalla sitä, kunnes se napsahtaa aivoimeen asemaansa.

Kun et käytä sitä, laske aina koukkuja, kunnes se napsahtaa suljettuun asemaansa.

► **Kuva26:** 1. Koukku

► **Kuva27**

Halkaisuohjain (ohjaustulkki)

Lisävaruste

Kätevän halkaisuohjaimen (ohjaustulkin) avulla voit leikata tarkasti suorassa linjassa. Siirrä halkaisuohjain tiukasti kiinni työkalupaleen reunaa vasten ja kiristä se paikoilleen pohjan etuosassa olevalla ruuvilla. Näin voit myös leikata peräkkäin useita saman leveyisiä kappaleita.

► **Kuva28:** 1. Repeämäohjain (ohjaustulkki)
2. Kiristysruuvi

Turvalliinan (liekaköyden) kiinnittäminen

▲Korkealla työskentelyyn liittyvät varoitukset
Lue huolellisesti kaikki turvallisuusvaroitukset ja käyttöohjeet. Varoitusten ja ohjeiden noudattamatta jättäminen voi aiheuttaa vakavia vammoja.

1. Pidä laite aina kiinnitettynä turvalliinan korkealla työskenneltäessä. Käytettävän turvalliinan enimmäispituus on 2 m (6,5 ft).
2. Käytä vain laitetyypille sopivia turvalliinoja, jotka kestävät vähintään 6,5 kg:n (14,4 lbs) kuorman.
3. Älä kiinnitä laitteen turvalliinan toista päätä vartaloosi tai liikkuviin kohteisiin. Ankkuroi turvalliina kiinteään rakenteeseen, joka kestää laitteen putoamisvoiman.
4. Varmista ennen käyttöä, että turvalliina on kiinnitetty huolellisesti kummastakin päästä.
5. Tarkista ennen käyttöä, että sekä laite että turvalliina (myös kangas ja ompeleet) ovat ehjiä ja että ne toimivat oikein. Älä käytä niitä, jos ne ovat vaurioituneet tai eivät toimi oikein.
6. Älä kierrä turvalliinaa terävä- tai karkeareunaisien esineiden ympärille tai päästä sitä koskettamaan niitä.
7. Kiinnitä turvalliinan toinen pää työskentelyalueen ulkopuolelle niin, että turvalliina pysäyttää putoavan laitteen varmasti.
8. Kiinnitä turvalliina niin, että laite liikkuu pois päin käyttäjältä pudotessaan. Putoavien laitteiden aiheuttama turvalliinan kiristyminen voi aiheuttaa vammoja tai tasapainon pettämisen.

9. Älä käytä liikkuvien osien tai käynnissä olevien koneiden lähellä. Ne voivat aiheuttaa puserutumis- tai kiinnijääntivaaran.
 10. Älä kanna laitetta kiinnitysmekanismista tai turvaliinasta.
 11. Siirrä laite kädestäsi toiseen vain, kun asentosi on täysin tasapainoinen.
 12. Älä kiinnitä laitteeseen turvaliinoja niin, että ne estävät suojusten, kytkimien tai lukitusten oikean toiminnan.
 13. Vältä turvaliinaan sotkeutumista.
 14. Pidä turvaliina pois laitteen leikkuualueelta.
 15. Käytä monivaiheisia ja kiinni ruuvattavia kiinnitysoskia. Älä käytä jousitoimisia yksivaiheisia kiinnitysoskia.
 16. Mikäli laite putoaa, se on merkittävä ja poistettava käytöstä, minkä jälkeen se on tarkistettava Makitan tehtaalla tai valtuutetussa huoltoliikkeessä.
- **Kuva29:** 1. Turvaliinan (liekaköyden) kiinnityskohta

LISÄVARUSTEET

▲HUOMIO: Seuraavia lisävarusteita tai laitteita suositellaan käytettäväksi tässä ohjeessa kuvatun Makita-työkalun kanssa. Muiden lisävarusteiden tai laitteiden käyttö voi aiheuttaa henkilövahinkoja. Käytä lisävarusteita ja -laitteita vain niiden käyttötarkoituksen mukaisesti.

Jos tarvitset apua tai yksityiskohtaisempia tietoja seuraavista lisävarusteista, ota yhteys paikalliseen Makitan huoltoon.

- Pyörösahanterä
- Kiintoavain
- Halkaisuhajain (ohjaustulkki)
- Aito Makitan akku ja laturi

HUOMAA: Jotkin luettelossa mainitut varusteet eivät sisälly työkalun toimitukseen vakiovarusteina. Ne voivat vaihdella maittain.

KUNNOSSAPITO

▲HUOMIO: Varmista aina ennen tarkastusta tai huoltoa, että työkalu on sammutettu ja akku irrotettu.

▲HUOMIO: Puhdista ylä- ja alasuojukset ja varmista, ettei niihin ole kertynyt sahanpurua, joka voisi estää alasuojusjärjestelmän toiminnan. Jos suojusjärjestelmä on likainen, se ei ehkä toimi asianmukaisesti, mikä voi aiheuttaa vakavia vammoja. Tehokkain puhdistustapa on käyttää paineilmaa. Jos suojuksista lentää pölyä, muista aina käyttää asianmukaisia silmä- ja hengityssuojaimia.

HUOMAUTUS: Älä koskaan käytä bensiiniä, ohenteita, alkoholia tai tms. aineita. Muutoin pinta voi halkeilla tai sen värit ja muoto voivat muuttua. Muutoin laitteeseen voi tulla värjäytymiä, muodon vääristymiä tai halkeamia.

0°-leikkaustarkkuuden säätö

Tämä säätö on tehty tehtaalla. Jos säätö ei ole oikea, voit säätää sitä seuraava ohjeen mukaan.

1. Löysää mittaviivaimen levyn vipua kevyesti.
2. Säädä pohja kohtisuoraan terään nähden käyttäen kolmiosaääntöä tai neliosaääntöä säätöpulttia kiertämällä.

► **Kuva30:** 1. Kolmioviivain 2. Säätöpultti

3. Kiristä vipu ja suorita testileikkaus pystysuuntaisuuden tarkistamiseksi.

Tuotteen TURVALLISUUDEN ja LUOTETTAVUUDEN takaamiseksi korjaukset, muut huoltotyöt ja säädöt on teetettävä Makitan valtuutetussa huoltopisteessä Makitan varaosia käyttäen.

SPECIFIKĀCIJAS

Modelis:		DRS780
Asmens diametrs		185 mm
Maks. zāģēšanas dziļums	0° leņķī	65 mm
	45° slīpā leņķī	45 mm
	53° slīpā leņķī	38 mm
Ātrums bez slodzes		5100 min ⁻¹
Kopējais garums		446 mm
Nominālais spriegums		Līdzstrāva 36 V
Tīrsvars		5,0–5,7 kg

- Nepārtrauktās izpētes un izstrādes programmas dēļ šeit uzrādītās specifikācijas var tikt mainītas bez brīdinājuma.
- Atkarībā no valsts specifikācijas var atšķirties.
- Svārs var būt atšķirīgs atkarībā no papildierīces (-ēm), tostarp akumulatora kasetnes. Tabulā ir attēlota vieglākā un smagākā kombinācija atbilstoši EPTA procedūrai 01/2014.

Piemērotā akumulatora kasetne un lādētājs

Akumulatora kasetne	BL1815N / BL1820 / BL1820B / BL1830 / BL1830B / BL1840 / BL1840B / BL1850 / BL1850B / BL1860B
Lādētājs	DC18RC / DC18RD / DC18RE / DC18SD / DC18SE / DC18SF

- Daži no iepriekš norādītajiem lādētājiem un akumulatora kasetnēm var nebūt pieejami atkarībā no jūsu mītnes reģiona.

▲BRĪDINĀJUMS: Izmantojiet vienīgi iepriekš norādītās akumulatora kasetnes un lādētājus. Cita tipa akumulatora kasetņu un lādētāju izmantošana var radīt traumu un/vai aizdegšanās risku.

Paredzētā lietošana

Šis darbarīks paredzēts kokmateriālu taisnvirziena un leņķveida zāģēšanai gareniski un šķērseniski, cieši saskaroties ar apstrādājamo materiālu.

Trokšņa līmenis

Tipiskais A svērtais trokšņa līmenis noteikts saskaņā ar EN62841-2-5:

Skaņas spiediena līmeni (L_{pA}): 92 dB (A)

Skaņas jaudas līmeni (L_{WA}): 103 dB (A)

Mainīgums (K): 3 dB (A)

PIEZĪME: Paziņotā trokšņa emisijas vērtība noteikta atbilstoši standarta pārbaudes metodei, un to var izmantot, lai salīdzinātu vienu darbarīku ar citu.

PIEZĪME: Paziņoto trokšņa emisijas vērtību arī var izmantot iedarbības sākotnējā novērtējumā.

▲BRĪDINĀJUMS: Lietojiet ausu aizsargus.

▲BRĪDINĀJUMS: Trokšņa emisija patiesos darba apstākļos var atšķirties no paziņotās vērtības atkarībā no darbarīka izmantošanas veida un jo īpaši atkarībā no apstrādājamā materiāla veida.

▲BRĪDINĀJUMS: Lai aizsargātu lietotāju, nosakiet drošības pasākumus, kas pamatoti ar iedarbību reālos darba apstākļos (ņemot vērā visus ekspluatācijas cikla posmus, piemēram, laiku, kamēr darbarīks ir izslēgts un kad darbojas tukšgaitā, kā arī palaides laiku).

Vibrācija

Vibrācijas kopējā vērtība (trīsasu vektora summa) noteikta atbilstoši EN62841-2-5:

Darba režīms: koksnes zāģēšana

Vibrācijas izmete ($a_{h,w}$): 2,5 m/s² vai mazāk

Mainīgums (K): 1,5 m/s²

PIEZĪME: Paziņotā kopējā vibrācijas vērtība noteikta atbilstoši standarta pārbaudes metodei, un to var izmantot, lai salīdzinātu vienu darbarīku ar citu.

PIEZĪME: Paziņoto kopējo vibrācijas vērtību arī var izmantot iedarbības sākotnējā novērtējumā.

▲BRĪDINĀJUMS: Vibrācijas emisija patiesos darba apstākļos var atšķirties no paziņotās vērtības atkarībā no darbarīka izmantošanas veida un jo īpaši atkarībā no apstrādājamā materiāla veida.

▲BRĪDINĀJUMS: Lai aizsargātu lietotāju, nosakiet drošības pasākumus, kas pamatoti ar iedarbību reālos darba apstākļos (ņemot vērā visus ekspluatācijas cikla posmus, piemēram, laiku, kamēr darbarīks ir izslēgts un kad darbojas tukšgaitā, kā arī palaides laiku).

EK atbilstības deklarācija

Tikai Eiropas valstīm

EK atbilstības deklarācija šajā lietošanas rokasgrāmatā ir iekļauta kā A pielikums.

DROŠĪBAS BRĪDINĀJUMI

Vispārīgi elektrisko darbarīku drošības brīdinājumi

▲BRĪDINĀJUMS: Izlasiet visus drošības brīdinājumus, instrukcijas, apskatiet ilustrācijas un tehniskos datus, kas iekļauti mehanizētā darbarīka komplektācijā. Ja netiek ievēroti visi tālāk minētie noteikumi, var tikt izraisīta elektrotrauma, notikt aizdegšanās un/vai rasties smagas traumas.

Glabājiet visus brīdinājumus un norādījumus, lai varētu tajos ieskatīties turpmāk.

Termins „elektrisks darbarīks” brīdinājumos attiecas uz tādu elektrisko darbarīku, ko darbina ar elektrību (ar vadu), vai tādu, ko darbina ar akumulatoru (bez vada).

Drošības brīdinājumi par bezvadu rīpžāga lietošanu

Zāģēšanas procedūras

- ▲BĪSTAMI:** Netuviniet rokas griešanas zonai un asmenim. Otru roku turiet uz palīgrokura vai motora korpusa. Ja turat zāģi ar abām rokām, asmens tās nevar sagriezt.
- Nesniedzieties zem apstrādājamā materiāla.** Aizsargs neaizsargā no asmens zem apstrādājamā materiāla.
- Noregulējiet griešanas dziļumu atbilstoši apstrādājamā materiāla biezumam.** Zem apstrādājamā materiāla jābūt redzamam nedaudz mazāk nekā veselam zāģa zobam.
- Griezot apstrādājamo materiālu, nekad neturiet to rokās vai pār kāju.** Apstrādājamo materiālu nostipriniet uz stabilas platformas. Materiālu ir svarīgi pareizi nostiprināt, lai mazinātu apdraudējumu ķermenim, novērstu asmens iekļīšanās vai kontroles zuduma risku.

► Att.1

- Ja, veicot darbību, griezējinstrumentus var pieskarties slēptam vadam, mehanizēto darbarīku turiet pie izolētajām satveršanas virsmām.** Saskaroties ar vadu, kurā ir spriegums, mehānizētā darbarīka ārējās metāla virsmas var vadīt spriegumu un operators saņems strāvas triecienu.
- Zāģējot gareniski, vienmēr izmantojiet garenzāģēšanas ierobežotāju vai aizsargu ar taisnām malām.** Tas uzlabo zāģēšanas precizitāti un mazina asmens iekļīšanās iespēju.
- Vienmēr izmantojiet asmeņus ar pareizā izmēra un formas (dimanta vai apaļas) pievienošanas atverēm.** Asmeņi, kas neatbilst zāģa uzstādīšanas sastāvdaļām, darbosies nepareizi, izraisot kontroles zudumu.
- Nekādā gadījumā nelietojiet bojātas vai neatbilstošas asmens starplikas vai skrūvi.** Asmens paplāksnes un skrūves ir speciāli paredzētas konkrētajam zāģim, lai sniegtu optimālu darba izpildi un drošību.

Atsitienu iemesli un ar to saistīti brīdinājumi

- atsitiens ir pēkšņa kustība pēc zāģa asmens iesprūšanas, iekļīšanās vai nepareizas novietošanās, liekot zāģim nekontrolēti pacelties un izvīrīties no apstrādājamā materiāla operatora virzienā;
- kad asmens cieši iesprūst vai iekļījas starp sakļaujošos iezāģējumu, asmens apstājas, un dzinēja kustība liek ierīci strauji virzīties atpakaļ operatora virzienā;
- ja asmeni iezāģējumā saspiež vai nepareizi novieto, zobi asmens aizmugurējā malā var ieurbties koka virsmā, liekot asmenim izvīrīties no iezāģējuma un atlēkt atpakaļ operatora virzienā.

Atsitiens rodas zāģa nepareizas lietošanas un/vai nepareizas darbības vai apstākļu rezultātā, un no tā var izvairīties, veicot piemērotus drošības pasākumus, kā tālāk norādīts.

- Ar abām rokām spēcīgi turiet zāģi, rokas novietojot tā, lai spētu pretoties atsitienu spēkam. Turiet asmeni vienā ķermeņa pusē, bet neturiet vienā līnijā ar ķermeņa vidusdaļu.** Atsitiens var likt zāģim atlēkt atpakaļ, taču atsitienu spēku operators var kontrolēt, ja veic piemērotus drošības pasākumus.
- Ja asmens iekļījas vai kāda iemesla dēļ neļauj pabeigt zāģēšanu, atļaidiet mēlīti un nekustinot turiet zāģi materiālā, kamēr asmens pilnībā apstājas. Nekad neņemiet zāģi ārā no materiāla un nevirziet to atpakaļ, ja asmens kustas, jo tā var izraisīt atsitienu.** Pārbaudiet un koriģējiet, lai novērstu asmens iekļīšanās cēlošus.
- Atsakot zāģa darbību apstrādājamajā materiālā, novietojiet zāģa asmeni iezāģējuma centrā tā, lai zāģa zobi nesaskaras ar materiālu.** Ja zāģa asmens ir iekļījies, tas var palēties vai atsīties no apstrādājamā materiāla, kad zāģa darbība tiek atsākta.
- Atbalstiet lielus gabalus, lai samazinātu asmens iesprūšanu vai atsitienu.** Lielī gabali bieži vien zem sava svara ieliecas. Atbalstī jānovieto abās pusēs zem gabala, blakus griezuma līnijai un blakus gabala malai.

► Att.2

► Att.3

- Neizmantojiet neasus vai bojātus asmeņus.** Neuzasināts vai nepareizi uzstādīts asmens veido šauru iezāģējumu, kas rada pārmērīgu berzi, asmens iekļīšanās vai atsitienu.
- Pirms sākt zāģēt pārliecinieties, vai asmens dziļuma un slīpuma regulēšanas sviras ir ciešas un nostiprinātas.** Ja noregulētais asmens griešanas laikā pārvietojas, tas var iekļīties un izraisīt atsitienu.
- Īpaši uzmanieties, zāģējot jau esošās sienās vai citās aizsegtās vietās.** Caurejošais asmens var ietriekties priekšmetos, kas var izraisīt atsitienu.
- Vienmēr stingri turiet darbarīku ar abām rokām. NEKAD nenovietojiet savu galvu, kāju vai jebkuru savu ķermeņa daļu zem darbarīka pamatnes vai aiz zāģa, īpaši, kad zāģējat šķēršām.** Ja ir atsitiens, zāģis var atlēkt atpakaļ virs jūsu rokas, radot smagu traumu.

► Att.4

- Nekad nespiediet zāģi. Virziet zāģi uz priekšu tādā ātrumā, lai asmens zāģētu bez palēnināšanās.** Ja spēcīgi spiedīsiet zāģi, zāģējumi būs nevienmērīgi, neprecīzi un radīsies atsitienu risks.

Aizsarga funkcionēšana

1. **Pirms katras lietošanas reizes pārbaudiet, vai apakšējais aizsargs aizveras pareizi. Nelietojiet zāģi, ja apakšējais aizsargs nevirzās brīvi un nekavējoties neaizveras. Nekad nepiestipriniet un nepiesieniet apakšējo aizsargu atvārtā stāvoklī.** Ja zāģis nejausi nokrīt, apakšējais aizsargs var salocīties. Paceliet apakšējo aizsargu ar ievilkšanas rokturi un pārliecinieties, ka tas virzās brīvi un nepieskaras asmenim vai citai daļai visos griezumala leņķos un dziļumos.
2. **Pārbaudiet apakšējā aizsarga atsperes darbību. Ja aizsargs un atspere nedarbojas pareizi, tie pirms lietošanas jāsalabo.** Apakšējais aizsargs var darboties lēni bojātu daļu, sveķu nosedumu vai uzkrājušos gružu dēļ.
3. **Apakšējais aizsargs jāizvelk manuāli tikai īpašas zāģēšanas nolūkā, piemēram, „iezāģējumu” un „kombinētu zāģējumu” gadījumā.** Paceliet apakšējo aizsargu ar ievilkšanas rokturi un, tiklīdz asmens nokļūst materiālā, atlaidiet apakšējo aizsargu. Visu citu zāģēšanas darbu gadījumā apakšējam aizsargam jādarbojas automātiski.
4. **Pirms novietot zāģi uz sola vai grīdas, vienmēr pārbaudiet, vai apakšējais aizsargs nosedz asmeni.** Neaizsargāts asmens, kas kustas pēc inerces, virzīs zāģi atpakaļ, sagriežot visu, kas ir tā ceļā. Atcerieties, ka pēc slēdža atlaišanas asmenim nepieciešams laiks, lai apstātos.
5. **Lai pārbaudītu apakšējo aizsargu, atveriet to ar roku, tad atlaidiet un novērojiet, kā tas aizveras. Pārbaudiet arī, vai ievilkšanas rokturis nepieskaras darbarīka korpusam.** Neaizsegts asmens ir ĻOTI BĪSTAMS un var radīt smagas traumas.

Papildu drošības brīdinājumi

1. **Ievērojiet sevišķu piesardzību, zāģējot mitru koksni, ar spiedienu apstrādātu zāģmateriālu vai zarus.** Noregulējiet zāģēšanas ātrumu tā, lai darbarīks vienmērīgi palielinātu ātrumu, nesamazinot asmens ātrumu un nepieļaujot asmens malu pārkaršanu.
2. **Neņemiet nost sagriezto materiālu, kamēr asmens griežas. Pirms sazāģētā materiāla satveršanas nogaidiet, līdz asmens apstājas.** Asmeņi pēc darbarīka izslēgšanās turpina kustēties pēc inerces.
3. **Negrieziet naglas. Pirms zāģēšanas pārbaudiet, vai zāģmateriālā nav naglu, un tās izņemiet.**
4. **Zāģa pamata platāko daļu novietojiet uz tās apstrādājamā materiāla daļas, kas ir cieši atbalstīta, nevis uz daļas, kas pēc nogriešanas nokrītīs. Ja apstrādājamais materiāls ir īss vai mazs, piestipriniet to. NETURIET ĪSOS GABALUS ROKĀS!**

► Att.5

5. **Pirms nolaist darbarīku, pabeidzot zāģēšanu, pārliecinieties, ka apakšējais aizsargs ir aizvēries un asmens ir pilnībā apstājies.**
6. **Nekad nezāģējiet, ja ripzāģis skrūvspīlēs iestiprināts otrādi. Tas ir ārkārtīgi bīstami un var izraisīt smagus negadījumus.**

► Att.6

7. **Daži materiāli satur ķīmiskas vielas, kas var būt toksiskas. Izvairieties no putekļu ieelpošanas un to nokļūšanas uz ādas. Ievērojiet materiāla piegādātāja drošības datus.**
8. **Nemēģiniet apstādināt asmeņus, no sāniem spiežot uz zāģa asmens.**
9. **Neizmantojiet abrazīvās ripas.**
10. **Izmantojiet tikai tāda diametra zāģa asmeņus, kas ir norādīts uz darbarīka vai rokasgrāmatā.** Izmantojot nepareiza izmēra asmeni, var būt traucēta asmens pareiza aizsardzība vai aizsarga darbība, kas var izraisīt nopietnus ievainojumus.
11. **Uzturiet asmeni asu un tīru.** Ja asmeņiem pielīpuši sveķi un koka darva, zāģa darbība kļūst lēnāka un atsitiena risks palielinās. Rūpējieties, lai asmens būtu tīrs, vispirms to noņemot nost no darbarīka, tad nolīrot ar sveķu un darvas tīrītāju, karstu ūdeni vai petroleju. Nekad neizmantojiet benzīnu.
12. **Lietojot darbarīku, izmantojiet putekļu masku un ausu aizsargus.**
13. **Vienmēr izmantojiet zāģa asmeni, kas paredzēts materiālam, ko griezīsiet.**
14. **Izmantojiet tikai tādus zāģa asmeņus, kas ir marķēti ar ātrumu, kas ir tāds pats vai lielāks kā uz darbarīka norādītais ātrums.**
15. **(Tikai Eiropas valstīm)** Vienmēr izmantojiet asmeni, kas atbilst EN847-1 standartam.

SAGLABĀJIET ŠOS NORĀDĪJUMUS.

▲BRĪDINĀJUMS: NEPIEĻAUJIET to, ka labu iemaņu vai izstrādājuma labas pārzināšanas (darbarīku atkārtoti ekspluatējot) rezultātā vairs stingri neievērojat šī izstrādājuma drošības noteikumus. NEPAREIZI LIETOJOT darbarīku vai neievērojot šajā instrukcijā rokasgrāmatā minētos drošības noteikumus, var tikt gūtas smagas traumas.

Svarīgi drošības norādījumi par akumulatora kasetni

1. **Pirms akumulatora lietošanas izlasiet visus norādījumus un brīdinājumus, kuri attiecas uz (1) akumulatora lādētāju, (2) akumulatoru un (3) ierīci, kurā tiek izmantots akumulators.**
2. **Neizjauciet akumulatoru.**
3. **Ja akumulatora darbības laiks kļuva ievērojami īsāks, nekavējoties pārtrauciet to izmantot. Citādi, tas var izraisīt pārkarsējumu, uzliesmojumu vai pat sprādzienu.**
4. **Ja elektrolīts nonāk acīs, izskalojiet tās ar tīru ūdeni un nekavējoties griezieties pie ārsta. Tas var izraisīt redzes zaudēšanu.**
5. **Neradiet īssavienojumu akumulatora kasetnē:**
 - (1) Nepieskarieties spailēm ar elektriību vadošiem materiāliem.
 - (2) Neuzglabājiet akumulatoru kasetni kopā ar citiem metāla priekšmetiem, tādiem kā naglas, monētas u. c.
 - (3) Nepakļaujiet akumulatora kasetni ūdens vai lietus iedarbībai.

Akumulatora īssavienojums var radīt spēcīgu strāvas plūsmu, pārkaršanu, uzliesmojumu un pat sabojāt akumulatoru.

6. Neglabājiet darbarīku un akumulatora kasetni vietās, kur temperatūra var sasniegt vai pārsniegt 50 °C (122 °F).
7. Nededziniet akumulatora kasetni, pat ja tā ir stipri bojāta vai pilnībā nolietota. Akumulatora kasetne ugunī var eksplodēt.
8. Uzmanieties, lai neļautu akumulatoram nokrist un nepakļautu to sītienam.
9. Neizmantojiet bojātu akumulatoru.
10. Uz izmantotajiem litija jonu akumulatoriem attiecas likumdošanas prasības par bīstamiem izstrādājumiem.
Komerציאלā transportēšanā, ko veic, piemēram, trešās puses, transporta uzņēmumi, jāievēro uz iesaiņojuma un marķējuma norādītās īpašās prasības.
Lai izstrādājumu sagatavotu nosūtīšanai, jāpasaziņās ar bīstamo materiālu speciālistu. Ievērojiet arī citus attiecināmos valsts normatīvus.
Valējus kontaktus nosedziet ar līmlenti vai citādi pārklājiet, bet akumulatoru iesaiņojiet tā, lai sainītas nevarētu izkustēties.
11. Ievērojiet vietējos noteikumus par akumulatora likvidēšanu.
12. Izmantojiet šos akumulatorus tikai ar izstrādājumiem, kurus norādījis Makita. Ievietojot šos akumulatorus nesaderīgos izstrādājumos, var rasties ugunsgrēks, pārmērīgs karstums, tie var uzsprāgt vai no tiem var iztect elektrolīts.

SAGLABĀJIET ŠOS NORĀDĪJUMUS.

UZMANĪBU: Lietojiet tikai oriģinālos Makita akumulatorus. Ja lietojat neoriģinālus Makita akumulatorus vai pārveidotus akumulatorus, tie var uzsprāgt un izraisīt aizdegšanos, traumas un materiālos zaudējumus. Tīks anulēta arī Makita darbarīka un lādētāja garantija.

Ieteikumi akumulatora kalpošanas laika pagarināšanai

1. Uzlādējiet akumulatora kasetni, pirms tā ir pilnībā izlādējusies. Vienmēr, kad ievērojāt, ka darbarīka darba jauda zudusi, apturiet darbarīku un uzlādējiet akumulatora kasetni.
2. Nekad neuzlādējiet pilnībā uzlādētu akumulatora kasetni. Pārmērīga uzlāde saīsina akumulatora kalpošanas laiku.
3. Uzlādējiet akumulatora kasetni istabas temperatūrā 10 °C - 40 °C. Karstai akumulatora kasetnei pirms uzlādes ļaujiet atdzist.
4. Uzlādējiet litija jonu akumulatora kasetni, ja to ilgstoši nelietosit (vairāk nekā sešus mēnešus).

FUNKCIJU APRAKSTS

UZMANĪBU: Pirms darbarīka regulēšanas vai tā darbības pārbaudes vienmēr pārliecinieties, ka darbarīks ir izslēgts un akumulatora kasetne ir izņemta.

Akumulatora kasetnes uzstādīšana un izņemšana

UZMANĪBU: Vienmēr pirms akumulatora kasetnes uzstādīšanas vai noņemšanas izslēdziet darbarīku.

UZMANĪBU: Uzstādot vai izņemot akumulatora kasetni, darbarīku un akumulatora kasetni turiet cieši. Ja darbarīku un akumulatora kasetni netur cieši, tie var izkrist no rokām un radīt bojājumus darbarīkam un akumulatora kasetnei, kā arī izraisīt ievainojumus.

UZMANĪBU: Ievietojot/izņemot akumulatorus, obligāti nolaidiet pamatni. Rīkojieties uzmanīgi, lai neiespiestu pirkstus.

UZMANĪBU: Neizmantojiet akumulatora adapteru kopā ar ripzāģi. Akumulatora adaptera vads var traucēt darbarīka darbību, tādējādi izraisot traumas.

► Att.7: 1. Svira 2. Āķis 3. Sarkanās krāsas indikators 4. Poga 5. Akumulatora kasetne

Pirms akumulatora kasetnes izņemšanas pavelciet āķi uz augšu un atbrīvojiet dziļuma regulēšanas sviru, lai nolaistu darbarīka pamatni. Tad izvelciet akumulatoru no darbarīka, bīdot kasetnes priekšpusē esošo pogu.

Lai uzstādītu akumulatora kasetni, salāgojiet mēlīti uz akumulatora kasetnes ar rienu ietvarā un iebīdīet to vietā. Ievietojiet to līdz galam, līdz tā ar klikšķi nofiksējas. Ja pogas augšējā daļā redzams sarkanais krāsas indikators, tas nozīmē, ka tā nav pilnīgi fiksēta.

UZMANĪBU: Vienmēr ievietojiet akumulatora kasetni tā, lai sarkanais indikators nebūtu redzams. Pretējā gadījumā tā var nejauši izkrist no darbarīka un izraisīt jums vai apkārtējiem traumas.

UZMANĪBU: Neievietojiet akumulatora kasetni ar spēku. Ja kasetne neslīd ietvarā viegli, tā nav pareizi ielikta.

PIEZĪME: Darbarīks ar tikai vienu akumulatora kasetni nedarbojas.

Darbarīka/akumulatora aizsardzības sistēma

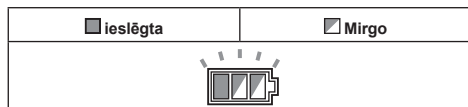
Darbarīks ir aprīkots ar darbarīka/akumulatora aizsardzības sistēmu. Šī sistēma automātiski izslēdz jaudas padevi motoram, lai pagarinātu darbarīka un akumulatora kalpošanas laiku. Darbarīks automātiski pārstās darboties ekspluatācijas laikā, ja darbarīku vai akumulatoru pakļaus kādam no šiem apstākļiem. Dažu apstākļu gadījumā izgaismojas indikatori.

Aizsardzība pret pārslodzi

Ja darbarīku lieto tā, ka tas patērē pārmērīgi lielu strāvas daudzumu, darbarīks automātiski pārstāj darboties. Šādā gadījumā izslēdziet darbarīku un pārtrauciet darbību, kas izraisīja darbarīka pārslodzi. Tad ieslēdziet darbarīku, lai atsāktu darbu.

Aizsardzība pret pārkaršanu

Kad darbarīks ir pārkaršis, tas automātiski pārstāj darboties, un apmēram 60 sekundes mirgo akumulatora indikators. Šādā gadījumā ļaujiet darbarīkam atdzist, pirms atkārtotas darbarīka ieslēgšanas.



Brīdinājums par pārslodzi

Ja darbarīks būs pakļauts pārmērīgai slodzei, režīma indikators mirgos zaļā krāsā. Samazinot darbarīka slodzi, režīma indikators pārstās mirgot un tad iedegsies vai izslēgsies.

► **Att.8:** 1. Režīma indikators

Aizsardzība pret akumulatora pārmērīgu izlādi

Kad akumulatora jauda ir zema, darbarīks automātiski pārstāj darboties. Ja darbarīks nedarbojas, pat ieslēdzot slēdžus, no darbarīka izņemiet akumulatoru un vieciat akumulatoram uzlādi.

Atlikušās akumulatora jaudas indikators

► **Att.9:** 1. Akumulatora indikators 2. Pārbaudes poga

Nospiediet pārbaudes pogu, lai pārbaudītu akumulatora atlikušo jaudu. Akumulatora indikatori atbilst katram akumulatoram.

Akumulatora indikatora stāvoklis			Atlikusi akumulatora jauda
Ieslēgts	Izslēgts	Mirgo	
			No 50% līdz 100%
			No 20% līdz 50%
			No 0% līdz 20%
			Akumulatora uzlāde

Atlikušās akumulatora jaudas indikators

Tikai akumulatora kasetnēm ar indikatoru

► **Att.10:** 1. Indikatora lampas 2. Pārbaudes poga

Nospiediet akumulatora kasetnes pārbaudes pogu, lai pārbaudītu akumulatora atlikušo uzlādes līmeni. Indikatoru iedegsies uz dažām sekundēm.

Indikatora lampas			Atlikusi jauda
Iededzies	Izslēgts	Mirgo	
			No 75% līdz 100%
			No 50% līdz 75%
			No 25% līdz 50%
			No 0% līdz 25%
			Uzlādējiet akumulatoru.
			Iespējama akumulatora kļūme.

PIEZĪME: Reālā jauda var nedaudz atšķirties no norādītās atkarībā no lietošanas apstākļiem un apkārtējās temperatūras.

Automātiskā ātruma maiņas funkcija

Šim darbarīkam ir "liela ātruma režīms" un "liela griezes momenta režīms".

Darbarīks atbilstoši darba slodzei automātiski maina darbības režīmu. Kad darba slodze ir maza, darbarīks darbojas "liela ātruma režīmā", lai nodrošinātu ātrāku zāģēšanu. Kad darba slodze ir liela, darbarīks darbojas "liela griezes momenta režīmā", lai nodrošinātu lielāku zāģēšanas jaudu.

► **Att.11:** 1. Režīma indikators

Kad darbarīks darbojas "liela griezes momenta režīmā", iedegas režīma indikators.

Režīma indikatora stāvoklis		Darbības režīms
Ieslēgts	Izslēgts	
		Liela darbības ātruma režīms
		Liela griezes momenta režīms

Griezuma dziļuma regulēšana

⚠UZMANĪBU: Pēc frēzēšanas dziļuma noregulēšanas vienmēr cieši pievelciet sviru.

Atļaidiet dziļuma vadīklas sviru un pamatni pārvietojiet uz augšu vai uz leju. Pamatni nostipriniet vēlamojā zāģēšanas dziļumā, pievelkot sviru.

Lai zāģēšana būtu tīrāka un drošāka, uzstādiēt zāģēšanas dziļumu tā, lai ne vairāk kā viens asmens zobs būtu redzams zem apstrādājamā materiāla. Izmantojot pareizu zāģēšanas dziļumu, iespējams samazināt bīstamus ATSJITIENUS, kas var izraisīt ievainojumus.

► **Att.12:** 1. Svira

Slīpā zāģēšana

⚠UZMANĪBU: Pēc slīpā leņķa noregulēšanas vienmēr stingri pievelciet sviru.

Atbrīvojiet sviru un iestatiet vēlamo leņķi, attiecīgi sasverot darbarīku, pēc tam cieši pieskrūvējiet sviru.

► **Att.13:** 1. Svira

Pozitīvais sprūds

Pozitīvais sprūds ir noderīgs, kad ātri jāiestata vajadzīgais leņķis. Pagrieziet pozitīvo sprūdu tā, lai tā buļiņa būtu vērsta pret vajadzīgo slīpuma leņķi (22,5°/45°/53°). Atbrīvojiet sviru un tad sasveriet darbarīka pamatni, līdz tās apstājas. Stāvoklis, kurā darbarīka pamatne apstājas, ir leņķis, ko iestatāt ar pozitīvo sprūdu. Kad darbarīka pamatne ir šajā stāvoklī, pievelciet sviru.

► **Att.14:** 1. Pozitīvais sprūds

Mērķēšana

Lai zāģētu taisni, 0° stāvoklī uz pamatnes priekšējās daļas salāgojiet ar zāģēšanas līniju. Lai zāģētu 45° slīpumā, salāgojiet 45° pozīciju.

► **Att.15:** 1. Zāģēšanas līnija (0° stāvoklis)
2. Zāģēšanas līnija (45° stāvoklis)

Slēdža darbība

⚠BRĪDINĀJUMS: Pirms akumulatora kasetnes uzstādīšanas darbarīkā vienmēr pārbaudiet, vai slēdža mēlīte darbojas pareizi un pēc atļaišanas atgriežas stāvoklī „OFF” (Izslēgts).

⚠BRĪDINĀJUMS: NEKAD neizjauciet atbloķēšanas pogu, to neapīļņojiet un citādāk nepārveidojiet. Slēdzis ar izjauktu atbloķēšanas pogu var izraisīt neparedzētu darbību un radīt smagas traumas.

⚠BRĪDINĀJUMS: NEKAD nelietojiet darbarīku, ja tas ieslēdzas tikai pēc slēdža mēlītes pavilkšanas un nav jānospiež atbloķēšanas poga. Slēdzis, ko nepieciešams labot, var izraisīt neparedzētu darbību un radīt nopietnus ievainojumus. PIRMS turpmākas ekspluatācijas nododiet darbarīku Makita apkopes centrā, lai to atbilstīgi saremontētu.

Lai slēdža mēlīti nevarētu pavilkt nejauši, darbarīks aprīkots ar bloķēšanas pogu. Lai iedarbinātu darbarīku, nospiediet atbloķēšanas pogu un paveliciet slēdža mēlīti. Lai apturētu darbarīku, atļaidiet slēdža mēlīti.

► **Att.16:** 1. Slēdža mēlīte 2. Atbloķēšanas poga

IEVĒRĪBAI: Nevelciet slēdža mēlīti ar spēku, neiespiežot atbloķēšanas pogu uz iekšu. Rezultātā var tikt sabojāts slēdzis.

MONTĀŽA

⚠UZMANĪBU: Pirms darbarīka regulēšanas vai apkopes vienmēr pārlicinieties, ka darbarīks ir izslēgts un akumulatora kasetne ir izņemta.

Ripzāga asmens noņemšana vai uzstādīšana

⚠UZMANĪBU: Pārbaudiet, vai ripzāga asmens ir uzstādīts tā, ka tā zobi vērsti augšup pret darbarīka priekšpusi.

⚠UZMANĪBU: Uzstādiēt vai noņemiet ripzāga asmeni tikai ar Makita uzgriežņu atslēgu.

Lai noņemtu ripzāga asmeni, nospiediet vārpstas bloķētāju līdz galam, lai asmens nevarētu griezties, un ar uzgriežņu atslēgu pulksteņrādītāju kustības virzienā atskrūvējiet sešstūru galvas skrūvi. Pēc tam izņemiet sešstūru galvas skrūvi, gredzenu (dažādās valstīs atšķiras), ārējo atloku un ripzāga asmeni.

► **Att.17:** 1. Vārpstas bloķētājs 2. Uzgriežņu atslēga

Darbarīkam bez gredzena

► **Att.18:** 1. Sešstūru galvas skrūve 2. Ārējais atloks
3. Ripzāga asmens 4. Iekšējais atloks

Darbarīkam ar gredzenu

► **Att.19:** 1. Sešstūru galvas skrūve 2. Ārējais atloks
3. Ripzāga asmens 4. Gredzens 5. Iekšējais atloks

Lai ripzāga asmeni uzstādītu, noņemšanas darbības izpildiet pretējā secībā.

Darbarīkam ar iekšējo atloku, kas paredzēts zāga asmenim, kura atvērums diametrs nav 15,88 mm

Iekšējam atlokam vienā pusē ir noteikta diametra izcilnis, bet atloka otrā pusē izcilnis ir savādāks diametrs. Izvēlieties pareizo pusi, kurā izcilnis pilnībā atbilst zāga asmens atvērums. Iekšējo atloku uz stiprinājuma ass nostipriniet tā, lai iekšējā atloka izciļņa pareizā puse būtu ārpusē, tad uzlieciet zāga asmeni un ārējo atloku.

► **Att.20:** 1. Stiprinājuma ass 2. Iekšējais atloks
3. Ripzāga asmens 4. Ārējais atloks
5. Sešstūru galvas skrūve

⚠BRĪDINĀJUMS: PĀRBAUDIET, VAI SEŠSTŪRU GALVAS SKRŪVE IR CIEŠI PIESKRŪVĒTA PRETĒJI PULKSTEŅRĀDĪTĀJU KUSTĪBAS VIRZIENAM. Tāpat uzmanieties, lai nepievilkta skrūvi ar pārmerīgi spēku. Rokas noslīdēšana no sešstūru uzgriežņu atslēgas var radīt traumu.

⚠BRĪDINĀJUMS: Pārbaudiet, vai iekšējā atloka izcilnis „a”, kas atrodas ārpusē, pilnībā atbilst zāga asmens atvērums „a”. Ja asmeni uzstādīsiet uz nepareizās puses, var rasties bīstama vibrācija.

Darbarīkam ar iekšējo atloku, kas paredzēts zāga asmenim ar atvēruma diametru 15,88 mm (dažādās valstīs atšķiras)

Uz stiprinājuma ass uzstādi iekšējo atloku ar tā padziļināto pusi uz āru, tad uzlieciet zāga asmeni (ja nepieciešams, ar piestiprinātu gredzenu), ārējo atloku un sešstūru galvas skrūvi.

Darbarīkam bez gredzena

- **Att.21:** 1. Stiprinājuma ass 2. Iekšējais atloks
3. Ripzāga asmens 4. Ārējais atloks
5. Sešstūru galvas skrūve

Darbarīkam ar gredzenu

- **Att.22:** 1. Stiprinājuma ass 2. Iekšējais atloks
3. Ripzāga asmens 4. Ārējais atloks
5. Sešstūru galvas skrūve 6. Gredzens

▲BRĪDINĀJUMS: PĀRBAUDIET, VAI SEŠSTŪRU GALVAS SKRŪVE IR CIEŠI PIESKRŪVĒTA PRETĒJI PULKSTENRĀDĪTĀJU KUSTĪBAS VIRZIENAM. Tāpat uzmanieties, lai nepievilktu skrūvi ar pārmērīgu spēku. Rokas noslīdēšana no sešstūru uzgriežņu atslēgas var radīt traumu.

▲BRĪDINĀJUMS: Ja asmens uzstādīšanai uz vārpstas nepieciešams gredzens, vienmēr pārbaudiet, vai starp iekšējo un ārējo atloku ir uzstādīts pareizais gredzens izmantojamā asmens vārpstas atverei. Nepareiza vārpstas atveres gredzena izmantošanas dēļ asmens var nebūt piestiprināts pareizi un tas var kustēties, radot spēcīgu vibrāciju, kas, savukārt, var izraisīt vadības zudumu darbības laikā un smagi traumēt.

Asmens aizsarga tīrīšana

Nomainot ripzāga asmeni, noteikti notīriet arī uzkrājušās zāgu skaidas no augšējā un apakšējā asmens aizsarga, kā aprakstīts sadaļā „Apkope”. Šīs darbības nevar aizvietot apakšējā aizsarga darbības pārbaudi pirms katras ekspluatācijas reizes.

Putekļsūcēja pievienošana

PIEZĪME: Dažās valstīs darbarīka komplektācijā nav putekļu sūcēja uzgaļa.

Ja vēlaties tīru zāgējumu, darbarīkam pievienojiet „Makita” putekļu sūcēju.

- **Att.23:** 1. Gumijas uzliktnis
► **Att.24:** 1. Gumijas uzliktnis 2. Putekļsūcējs
3. Šļūtene

Noņemiet gumijas uzliktni no putekļu sūcēja uzgaļa un pievienojiet putekļu sūcēja cauruli, kā norādīts attēlā.

PIEZĪME: Lai nepazaudētu gumijas uzliktni, glabājiet to darbarīka priekšpusē.

PIEZĪME: Kad neizmantojat putekļu sūcēju, uzlieciet putekļu sūcēja uzgalim gumijas uzliktni.

EKSPLUATĀCIJA

▲UZMANĪBU: Vienmēr saudzīgi virziet darbarīku uz priekšu taisnā līnijā. Ja darbarīku spēcīgi spiedīsīt vai grozīsīt, motors var pārkarst un iespējams radīt bīstamu atsitieni, kas var izraisīt smagas traumas.

PIEZĪME: Ja akumulatora kasetnes temperatūra ir zema, darbarīks var neizmantot pilnu akumulatora nominālo ietilpību. Tādā gadījumā izmantojiet darbarīku nelielām zāgēšanas darbībām, kamēr akumulatora kasetne uzslīs līdz istabas temperatūrai. Tad darbarīks varēs izmantot pilnu akumulatora ietilpību.

► Att.25

Turiet darbarīku cieši. Darbarīkam ir gan priekšējais, gan aizmugurējais rokturis. Darbarīka satveršanai izmantojiet abus. Ja abām rokām tur zāģi, ripzāga asmens nevar tajās iezāģēt. Pamatni uz apstrādājamā materiāla novietojiet tā, lai ripzāga asmens ar to nesaskartos. Tad ieslēdziet darbarīku un nogaidiet, līdz ripzāga asmens sasniedz pilnu ātrumu. Pēc tam darbarīku virziet pāri apstrādājamā materiāla virsmai, turot to līdzīgi vienmērīgi virzot uz priekšu, kamēr zāgēšana pabeigta. Lai zāgēšana būtu precīza, saglabājiet zāgēšanas līniju taisnu un virzīšanas ātrumu vienmērīgu. Ja zāģis nezāģē paredzētajā zāgēšanas līnijā, nemēģiniet darbarīku pagriezt vai ar spēku aizstumt atpakaļ uz zāgēšanas līniju. Šāda rīcība var saliekt ripzāga asmeni, izraisot bīstamu atsitieni un potenciāli bīstamu traumu. Atlaidiet slēdzi, nogaidiet, kamēr ripzāga asmens pārstāj darboties, tad izņemiet darbarīku no zāgējuma. Darbarīku ievietojiet jaunajā zāgējuma līnijā un sāciet zāgējumu no jauna. Centieties izvairīties no tāda zāga stāvokļa, kad skaidas un koksnes putekļi lido virzienā uz operatoru. Lai netraumētu acis, izmantojiet acu aizsarglīdzekļus.

Āķis

▲UZMANĪBU: Pirms karināt darbarīku aiz āķa, obligāti izņemiet akumulatorus.

▲UZMANĪBU: Nekādā gadījumā nekariniet darbarīku aiz āķa lielā augstumā vai pie nestabilām virsmām, no kurām darbarīks var nokrist.

▲UZMANĪBU: Nevelciet darbarīku uz leju, kad tas ir pakarināts.

Āķis noder, ja darbarīks ir jāpakarina uz neilgu laiku. Lai izmantotu āķi, vienkārši velciet to uz augšu, līdz tas nofiksējas atvērtā pozīcijā. Ja neizmantojat āķi, obligāti nolaidiet to uz leju, līdz tas nofiksējas slēgtā pozīcijā.

- **Att.26:** 1. Āķis

- **Att.27**

Garenzāgēšanas ierobežotājs (vadotnes lineāls)

Papildu piederumi

Parocīgais garenzāgēšanas ierobežotājs ļauj zāģēt ļoti precīzi. Piebīdīet garenzāgēšanas ierobežotāju cieši pie apstrādājamā materiāla malas un nostipriniet to paredzētajā vietā ar pamatnes priekšējā daļā esošo skrūvi. Tas arī ļauj veikt vairākus zāgējumus vienādā platumā.

- **Att.28:** 1. Garenzāgēšanas ierobežotājs (vadotnes lineāls) 2. Saspiedēja skrūve

Saites (stiprinājuma saites) savienojums

▲Specifiskie drošības brīdinājumi, strādājot lielā augstumā

Izlasiet visus drošības brīdinājumus un norādījumus. Neievērojot brīdinājumus un norādījumus, iespējams gūt nopietnus ievainojumus.

1. Strādājot augstumā, vienmēr nostipriniet darbarīku ar stiprinājuma saiti. Maksimālais saites garums ir 2 m (6,5 pēdas).
2. Izmantojiet tikai ar tādām saitēm, kas piemērotas šim darbarīka veidam un ir paredzētas vismaz 6,5 kg (14,4 mārciņām).
3. Nenostipriniet darbarīka saiti pie sava ķermeņa vai pie kustīgiem priekšmetiem. Nostipriniet darbarīka saiti pie stingras konstrukcijas, kas var izturēt krītoša darbarīka radītos spēkus.
4. Pirms izmantošanas pārliecinieties, ka saites abi gali ir pienācīgi nostiprināti.
5. Pirms katras izmantošanas reizes pārbaudiet, vai darbarīkam un saitei nav kādu bojājumu un tie veic savas funkcijas (pārbaudiet arī audumu un šuves). Neizmantojiet, ja tiem ir bojājumi vai tie pienācīgi neveic savas funkcijas.
6. Netiniet saites ap asām vai raupjām šķautnēm un raugiet, lai saite ar šādām šķautnēm nesaskartos.
7. Nostipriniet otru saites galu ārpus darba zonas, lai tā droši noturētu krītošu darbarīku.
8. Pievienojiet saiti tā, lai darbarīks, ja tas krīt, pārvietotos virzienā prom no lietotāja. Nokrituši darbarīki šūposies saitē, un tas varētu izraisīt savainojumus vai līdzsvara zudumus.
9. Neizmantojiet kustīgu daļu vai darbojošos iekārtu tuvumā. Pretējā gadījumā var būt sasišanas vai sapīšanās risks.
10. Nesot darbarīku, neturiet to aiz pievienotās ierīces vai saites.
11. Ja vēlaties paņemt darbarīku no vienas rokas otrā, vispirms nostāieties stabilā pozīcijā.
12. Pievienojiet saites darbarīkam tādā veidā, lai tās netraucētu aizsargu, slēdžu vai bloķēšanas ierīču pareizu darbību.
13. Nesapīnieties saitē.
14. Raugiet, lai saite neatrastos darbarīka griešanas zonā.
15. Izmantojiet daudzfunkcionālas karabīnes ar skrūvējamu savienojumu. Neizmantojiet vienkāršas karabīnes ar atsperes savienojumu.
16. Gadījumā, ja darbarīks nokrīt, tam jāpievieno etiķete, un to nedrīkst ekspluatēt; darbarīks ir jāpārbauda Makita rūpnīcā vai pilnvarotā servīsa centrā.

► **Att.29:** 1. Atvere saitei (stiprinājuma saitei)

APKOPE

▲UZMANĪBU: Pirms darbarīka pārbaudes vai apkopes vienmēr pārliecinieties, ka darbarīks ir izslēgts un akumulatora kasetne ir izņemta.

▲UZMANĪBU: Notīriet arī uzkrājušās zāģskaidas no augšējā un apakšējā asmens aizsarga, jo tās var traucēt apakšējās aizsargsistēmas darbību. Netīra aizsargsistēma var traucēt pareizai lietošanai, un tas var izraisīt smagas traumas. Visefektīvāk šo tīrīšanu var veikt ar saspiestu gaisu. Ja putekļi tiek izpūsti ārā pa aizsargu, noteikti izmantojiet piemērotus acu un elpceļu aizsarglīdzekļus.

IEVĒRĪBAI: Nekad neizmantojiet gāzoliņu, benzīnu, atšķaidītāju, spirtu vai līdzīgus šķidrumus. Tas var radīt izbalēšanu, deformāciju vai plaisas.

0° griezuma precizitātes regulēšana

Tas izdarīts jau rūpnīcā. Taču vajadzības gadījumā regulējiet, veicot šādas darbības.

1. Mazliet atbrīvojiet sviru uz slīpā leņķa plāksnes.
2. Pamatni novietojiet perpendikulāri asmenim ar trijstūri vai lekalu, griežot regulēšanas skrūvi.

► **Att.30:** 1. Trijstūris 2. Regulēšanas skrūve

3. Pievelciet sviru un veiciet pārbaudes griezumu, lai pārbaudītu vertikālo stāvokli.

Lai saglabātu izstrādājuma DROŠU un UZTICAMU darbību, remontdarbus, apkopi un regulēšanu uzticiet veikt tikai Makita pilnvarotam vai rūpnīcas apkopes centram, un vienmēr izmantojiet tikai Makita rezerves daļas.

PAPILDU PIEDERUMI

▲UZMANĪBU: Šādi piederumi un papildierīces tiek ieteiktas lietošanai ar šajā rokasgrāmatā aprakstīto Makita darbarīku. Izmantojot citus piederumus vai papildierīces, var tikt radīta traumu gūšanas bīstamība. Piederumu vai papildierīci izmantojiet tikai paredzētajam mērķim.

Ja jums vajadzīga palīdzība vai precīzāka informācija par šiem piederumiem, vērsieties savā tuvākajā Makita apkopes centrā.

- Ripzāga asmens
- Uzgriežņu atslēga
- Garenzāģēšanas ierobežotājs (vadotnes lineāls)
- Makita oriģinālais akumulators un lādētājs

PIEZĪME: Daži sarakstā norādītie izstrādājumi var būt iekļauti instrumenta komplektācijā kā standarta piederumi. Tie dažādās valstīs var būt atšķirīgi.

SPECIFIKACIJOS

Modelis:		DRS780
Disko skersmuo		185 mm
Maks. pjovimo gylis	0° kampu	65 mm
	esant 45° posvyriui	45 mm
	esant 53° posvyriui	38 mm
Be apkrovos		5100 min ⁻¹
Bendrasis ilgis		446 mm
Vardinė įtampa		Nuol. sr. 36 V
Grynasis svoris		5,0 – 5,7 kg

- Atliekame tęstinus tyrimus ir nuolatos tobuliname savo gaminius, todėl čia pateikiamos specifikacijos gali būti keičiamos be įspėjimo.
- Skirtingose šalyse specifikacijos gali skirtis.
- Svoris gali priklausyti nuo priedo (-ų), įskaitant akumulatoriaus kasetę. Lengviausias ir sunkiausias deriniai pagal EPTA 2014 m. sausio mėn. procedūrą yra parodyti lentelėje.

Tinkama akumulatoriaus kasetė ir (arba) įkroviklis

Akumulatoriaus kasetė	BL1815N / BL1820 / BL1820B / BL1830 / BL1830B / BL1840 / BL1840B / BL1850 / BL1850B / BL1860B
Įkroviklis	DC18RC / DC18RD / DC18RE / DC18SD / DC18SE / DC18SF

- Atsižvelgiant į gyvenamosios vietos regioną, kai kurios pirmiau nurodytos akumulatoriaus kasetės ir įkrovikliai gali būti neprieinami.

⚠️ ĮSPĖJIMAS: Naudokite tik akumulatoriaus kasetes ir įkroviklius, kurie nurodyti anksčiau. Naudojant bet kurias kitas akumulatoriaus kasetes ir įkroviklius, gali kilti sužeidimo ir gaisro pavojus.

Numatytoji naudojimo paskirtis

Šis įrankis skirtas tiesiems ir nuožambiams pjūviams įvairiais kampais išilgai ir skersai pjauti, įrankiu tvirtai spaudžiant ruošinį.

Triukšmas

Įprastas triukšmo A lygis, nustatytas pagal EN62841-2-5:
Garso slėgio lygis (L_{pA}): 92 dB (A)
Garso galios lygis (L_{WA}): 103 dB (A)
Paklaida (K): 3 dB (A)

PASTABA: Paskelbta (-os) triukšmo reikšmė (-ės) nustatyta (-os) pagal standartinį testavimo metodą ir jį galima naudoti vienam įrankiui palyginti su kitu.

PASTABA: Paskelbta (-os) triukšmo reikšmė (-ės) taip pat gali būti naudojama (-os) norint preliminariai įvertinti triukšmo poveikį.

⚠️ ĮSPĖJIMAS: Dėvėkite ausų apsaugą.

⚠️ ĮSPĖJIMAS: Faktiškai naudojant elektrinį įrankį, keliamo triukšmo dydis gali skirtis nuo paskelbtos (-ų) reikšmės (-ių), priklausomai nuo būdu, kuriais yra naudojamas šis įrankis, ir ypač nuo to, kokio tipo ruošinys apdirbamas.

⚠️ ĮSPĖJIMAS: Siekdami apsaugoti operatorių, būtina įvertinkite saugos priemones, remdamiesi vibracijos poveikio įvertinimu esant faktinėms naudojimo sąlygoms (atsižvelgdami į visas darbo ciklo dalis, pavyzdžiui, ne tik kiek laiko įrankis veikia, bet ir kiek kartų jis yra išjungiamas bei kai jis veikia be apkrovų).

Vibracija

Vibracijos bendroji vertė (triašio vektorius suma) nustatyta pagal EN62841-2-5 standartą:

Darbo režimas: medžio pjovimas
Vibracijos emisija (a_{w}): 2,5 m/s² arba mažiau
Paklaida (K): 1,5 m/s²

PASTABA: Paskelbta (-os) vibracijos bendroji (-osios) reikšmė (-ės) nustatyta (-os) pagal standartinį testavimo metodą ir jį galima naudoti vienam įrankiui palyginti su kitu.

PASTABA: Paskelbta (-os) vibracijos bendroji (-osios) reikšmė (-ės) taip pat gali būti naudojama (-os) norint preliminariai įvertinti vibracijos poveikį.

⚠️ ĮSPĖJIMAS: Faktiškai naudojant elektrinį įrankį, keliamos vibracijos dydis gali skirtis nuo paskelbtos (-ų) reikšmės (-ių), priklausomai nuo būdu, kuriais yra naudojamas šis įrankis, ir ypač nuo to, kokio tipo ruošinys apdirbamas.

⚠️ ĮSPĖJIMAS: Siekdami apsaugoti operatorių, būtina įvertinkite saugos priemones, remdamiesi vibracijos poveikio įvertinimu esant faktinėms naudojimo sąlygoms (atsižvelgdami į visas darbo ciklo dalis, pavyzdžiui, ne tik kiek laiko įrankis veikia, bet ir kiek kartų jis yra išjungiamas bei kai jis veikia be apkrovų).

EB atitikties deklaracija

Tik Europos šalis

EB atitikties deklaracija yra pridedama kaip šio instrukcijų vadovo A priedas.

SAUGOS ĮSPĖJIMAI

Bendrieji įspėjimai dirbant elektriniais įrankiais

⚠️ ĮSPĖJIMAS: Perskaitykite visus saugos įspėjimus, instrukcijas, iliustracijas ir techninius duomenis, pateiktus kartu su šiuo elektriniu įrankiu. Nesilaikant visų toliau išvardytų instrukcijų galima patirti elektros smūgį, gali kilti gaisras ir (arba) galima sunkiai susižaloti.

Įsisaugokite visus įspėjimus ir instrukcijas, kad galėtumėte jas peržiūrėti ateityje.

Terminas „elektrinis įrankis“ pateiktuose įspėjimuose reiškia į maitinimo tinklą jungiamą (laidinį) elektrinį įrankį arba akumuliatoriaus maitinamą (belaidį) elektrinį įrankį.

Įspėjimai dėl akumuliatorinio diskinio pjūklo saugos

Pjovimo darbų tvarka

- ⚠️ PAVOJUS:** rankas laikykite kuo toliau nuo pjovimo vietos ir geležtės. Kitą ranką laikykite ant pagalbinės rankenos arba variklio korpuso. Jei pjūklą laikysite abiem rankomis, geležtė negalės jį įpjauti.
 - Nekiškite rankų po ruošiniu.** Po ruošiniu apsauginis įtaisas negali apsaugoti jūsų nuo geležtės.
 - Pjovimo gylį sureguliuokite pagal ruošinio storį.** Po ruošiniu turi matytis mažiau nei vienas visas geležtės dantis.
 - Pjaudami ruošinio jokiū būdu nelaikykite rankose ar tarp kojų.** Ruošinį pritvirtinkite prie stabilaus darbastalio. Labai svarbu tinkamai paremti ruošinį, kad kiltų kuo mažiau pavojų kūnui, kad nelinktų diskas ir kad neprarastumėte kontrolės.
- **Pav.1**
- Laikykite elektrinį įrankį už izoliuotų paviršių, jei pjovimo įrankis gali paliesti nematomus laidus. Jei tvirtinimo detalės palies laidą su įtampa, elektrinio įrankio metalinėmis dalimis taip pat gali imti tekėti srovė, todėl operatorius gali patirti elektros šoką.
 - Darydami prapjovimo darbus, visuomet naudokite prapjovos kreiptuvą arba tiesią krašto kreipiamąją.** Taip pjūvis bus tikslesnis ir sumažės tikimybė, kad geležtė užstrigs ruošinyje.
 - Diskus naudokite tik su tinkamo dydžio ir formos (deimantinėmis ar apvaliomis) angomis.** Diskai, kurie netinka montavimo pjūkle įtaisams, slinks nuo centro į šalis, todėl nesuvaldysite įrankio.

- Niekada nenaudokite apgadintų arba netinkamų geležtės poveržlių arba varžto.** Geležtės poveržlės ir varžtai specialiai pagaminti šiam pjūklui, kad jis būtų optimaliai našus ir saugus.

Atatranks priežastys ir su ja susiję įspėjimai

- atatranka yra staigi reakcija į pjūklo disko įstrigimą, sulinkimą ar išsiderinimą, dėl kurių nevaldomas pjūklas pakyla ir iššoka iš ruošinio operatoriaus link;
- jei diskas įstringa arba smarkiai sulinksta užsidarant įpjovai, diskas stringa, o variklio reakcija staigiai nukreipia įrankį operatoriaus link;
- Jei geležtė susisuka arba išsiderina įpjovoje, gali nėje geležtės briaunoje esantys dantukai gali įjsti į medienos paviršių ir todėl geležtė iššoks iš įpjovos operatoriaus link.

Atatranka yra piktnaudžiavimo pjūklui ir (arba) netinkamų darbo procedūrų ar sąlygų rezultatas, jos galima išvengti vadovaujantis toliau nurodytomis atsargumo priemonėmis.

- Tvirtai laikykite pjūklą abiem rankomis, rankas laikykite taip, kad jos atlaikytų atatranks jėgą. Stovėkite bet kurioje geležtės pusėje, bet ne vienoje linijoje su ja.** Dėl atatranks pjūklas gali atšokti atgal, bet operatorius gali valdyti atatranks jėgą, jei imasi reikiamų atsargumo priemonių.
- Jei geležtė sulinksta arba įpjovimas pertraukiamas dėl kitos priežasties, atleiskite gaiduką ir nejudinkite pjūklo ruošinyje, kol geležtė visiškai nesustos. Jokiū būdu nemėginkite ištraukti pjūklo iš ruošinio arba traukti pjūklo atgal, kol geležtė juda, antraip įvyks atatranka.** Apžiūrėkite ir imkitės priemonių geležtės sulinkimo priežastčiai pašalinti.
- Įstatydami pjūklą atgal į ruošinį, pjūklo diską įstatykite įpjovos centre taip, kad pjūklo dantukai nebūtų įstrigę ruošinyje.** Jei pjūklo diskas linksta, jis gali pakilti arba iššokti iš ruošinio vėl įjungus pjūklą.
- Dideles plokštes paremkite ir taip sumažinkite pavojų, kad geležtė bus suspausta ir iššoks.** Didelės plokštes linksta dėl savo pačių svorio. Atramas reikia dėti po plokštę iš abiejų pusių, netoli pjovimo linijos ir greta plokštės briaunos.

► **Pav.2**

► **Pav.3**

- Nenaudokite atšipusių ar sugadintų geležčių.** Naudojant nepagaląstas arba netinkamai nustatytas geležtes gaunama siaura įpjova, dėl to padidėja trintis, linksta geležtė ir kyla atatranka.
- Prieš atliekant pjūvį, geležtės gylio ir nuožulnumo reguliavimo-fiksavimo svirtys turi būti gerai pritvirtintos ir priveržtos.** Jei geležtės reguliavimas pasikeis įjauant, geležtė gali sulinkti ar iššokti.
- Būkite ypač atsargūs, kai darote pjūvius sienose arba kitose aklinese vietose.** Išsikišusi geležtė gali pataikyti į objektus ir nuo jų atšokti.
- VISUOMET tvirtai laikykite įrankį abiem rankomis. NEDEKITE rankų, kojų ar kitos kūno dalies po įrankio pagrindu ar už pjūklo, ypač darydami kryžminius pjūvius.** Įvykus atatrankai, pjūklas gali atšokti atgal per jūsų ranką ir sunkiai sužaloti.

► Pav.4

9. Nedirbkite pjūklų per jėgą. Stumkite pjūklą tokiu greičiu, kad geležtė pjautų nelėtėdama. Spaudžiant pjūklą, galimi nelygūs pjūviai, tikslumo sumažėjimas ir atatranka.

Apsauginio skydo veikimas

1. Prieš kiekvieną naudojimą patikrinkite, ar apatinis apsauginis įtaisas tinkamai užsidaro. Nenaudokite pjūklo, jei apatinis apsauginis įtaisas nejuda laisvai ir neužsidaro iš karto. Jokiū būdu neįtvirtinkite ir nepririškite apatinio apsauginio įtaiso atviroje padėtyje. Jei pjūklas netyčia išmetamas, apatinis apsauginis įtaisas gali sulinkti. Pakelkite apatinį apsauginį įtaisą atitraukiant rankena ir įsitinkinkite, ar jis laisvai juda ir neliečia geležtės ar kitos dalies, esant bet kokiam pjūvio kampui ir gyliui.
2. Patikrinkite apatinio apsauginio įtaiso spyruoklės veikimą. Jei apsauginis įtaisas ir spyruoklė neveikia tinkamai, prieš naudojimą juos reikia sutvarkyti. Apatinis apsauginis įtaisas gali veikti lėtai dėl pažeistų dalių, lipnių nuosėdų ar susikaupusių nešvarumų.
3. Apatinį apsauginį įtaisą galima įtraukti ranka, bet tik atliekant specialius pjovimo darbus, pvz., gilius pjūvius arba sudėtinus pjūvius. Nuleiskite apatinį apsauginį įtaisą įtraukimo rankena, o kai tik diskas įpjau medžiagą, paleiskite apatinį apsauginį įtaisą. Darant kitus pjūvius, apatinė apsauga turi veikti automatiškai.
4. Prieš dėdami pjūklą ant suolo ar grindų, patikrinkite, ar apatinis apsaugos įtaisas uždengia geležtę. Neapsaugota iš inercijos judanti geležtė privers pjūklą važiuoti atgal, pjaunant viską savo kelyje. Atkreipkite dėmesį į laiką, kurio reikia, kad geležtė sustotų atleisus jungiklį.
5. Norėdami patikrinti apatinį apsaugos įtaisą, atidarykite apatinį apsaugos įtaisą ranka, tuomet atleiskite ir stebėkite, kaip jis užsidaro. Taip pat patikrinkite, ar atitraukimo rankenėlė neliečia įrankio korpuso. Palikti diską atvirą LABAI PAVOJINGA, galima sunkiai susižaloti.

Papildomi įspėjimai dėl saugos

1. Būkite ypač budrūs, kai pjaunate drėgną medieną, suslėgtus rąstus arba medį su šakomis. Vienodu greičiu stumkite įrankį pirmyn, nemažindami pjūklo greičio, kad neperkaistų pjūklo galiukai.
2. Nemėginkite nuimti atpjautos medžiagos geležtei judant. Prieš imdami nupjautą medžiagą, palaukite, kol geležtė sustos. Išjungus įrankį, geležtės dar sukasi iš inercijos.
3. Nepjaukite vinių. Prieš pjaudami apžiūrėkite medieną ir išimkite visas vinis.
4. Platesnę pjūklo pagrindo dalį dėkite ant tos ruošinio dalies, kuri gerai paremta, o ne ant tos, kuri nukris baigus pjauti. Jei ruošinys trumpas arba smulkus, suspauskite jį spaustuvais. NEMĖGINKITE LAIKYTI TRUMPO RUOŠINIO RANKAI!

► Pav.5

5. Prieš pastatydami įrankį, kai baigėte pjauti, įsitinkinkite, ar apatinis apsauginis įtaisas užsidarė, o geležtė visiškai sustojė.

6. Nemėginkite pjauti apskritu pjūklų apvertę jį spaustuvuose. Tai ypač pavojinga, todėl gali įvykti sunkus nelaimingas atsitikimas.

► Pav.6

7. Kai kuriose medžiagose esama cheminių medžiagų, kurios gali būti nuodingos. Saugokitės, kad neįkvėptumėte dulkių ir nesi-liestumėte oda. Laikykites medžiagų tiekėjo saugos duomenų.
8. Nestabdykite spausdami pjūklo geležtę iš šono.
9. Nenaudokite šlifuojamųjų diskų.
10. Naudokite tik tokio skersmens pjovimo diską, koks yra nurodytas ant įrankio arba naudojimo instrukcijoje. Naudojant netinkamo dydžio geležtę, ji gali būti netinkamai apsaugota arba netinkamai veiks apsauginis jos gaubtas, todėl galima sunkiai susižeisti.
11. Geležtė turi būti aštri ir švari. Ant geležtės esantys sukietėję sakai ar derva sulėtina pjovimą ir didina atatrankos pavojų. Valykite geležtę pirmiausia išimdami ją iš įrankio, tada nuvalydami sakų ir dervos šalinimo priemone, karštu vandeniu ar žibalu. Nenaudokite benzino.
12. Naudodami įrankį, užsidėkite kaukę, saugančią nuo dulkių, ir klausos apsaugos priemones.
13. Visada naudokite pjaunamai medžiagai tinkamą pjūklo diską.
14. Naudokite tik tuos pjūklo diskus, ant kurių nurodytas sukimosi greitis prilygsta arba viršija ant įrankio nurodytą sukimosi greitį.
15. (Tik Europos šalims) Naudokite tik pjovimo diskus, kurie atitinka EN847-1.

SAUGOKITE ŠIAS INSTRUKCIJAS.

ĮSPĖJIMAS: NELEISKITE, kad patogumas ir gaminio pažinimas (įgyjamas pakartotinai naudojant) susilpnintų griežtą saugos taisyklių, taikytinų šiam gaminiui, laikymąsi. Dėl NETINKAMO NAUDOJIMO arba saugos taisyklių, kurios pateiktos šioje instrukcijoje, nesilaikymo galima rimtai susižeisti.

Svarbios saugos instrukcijos, taikomos akumulatoriaus kasetei

1. Prieš naudodami akumulatoriaus kasetę, perkaitykite visas instrukcijas ir perspėjimus ant (1) akumuliatorių įkroviklio, (2) akumuliatorių ir (3) akumuliatorių naudojančio gaminio.
2. Neardykite akumulatoriaus kasetės.
3. Jei įrankio darbo laikas žymiai sutrumpėjo, nedelsdami nutraukite darbą su įrankiu. Tai gali kelti perkaitimą, nudegimų ar net sprogo-pavojų.
4. Jei elektrolitas pateko į akis, plaukite jas tyru vandeniu ir nedelsdami kreipkitės į gydytoją. Gali kilti regėjimo praradimo pavojus.

5. **Neužtrumpinkite akumulatoriaus kasetės:**
 - (1) Nelieskite kontaktų degiomis medžiagomis.
 - (2) Venkite laikyti akumulatoriaus kasetę kartu su kitais metaliniais daiktais, pavyzdžiui, vinimis, monetomis ir pan.
 - (3) Saugokite akumulatoriaus kasetę nuo vandens ir lietaus.

Trumpasis jungimas akumulatoriuje gali sukelti stiprią srovę, perkaitimą, galimus nudegimus ar net akumulatoriaus gedimą.
6. Nelaikykite įrankio ir akumulatoriaus kasetės vietose, kur temperatūra gali pasiekti ar viršyti 50 °C.
7. Nedeginkite akumulatoriaus kasetės, net jei yra stipriai pažeista ar visiškai susidėvėjusi. Ugnyje akumulatoriaus kasetė gali sprogti.
8. Saugokite akumuliatorių nuo kritimo ir smūgių.
9. Nenaudokite pažeisto akumulatoriaus.
10. Įdėtoms ličio jonų akumuliatoriams taikomi Pavojingų prekių teisės akto reikalavimai. Komeracinis transportas, pvz., trečiųjų šalių, prekių vežimo atstovų, turi laikytis specialaus reikalavimo ant pakuotės ir ženklavimo. Norėdami paruošti siųstiną prekę, pasitarkite su pavojingų medžiagų specialistu. Be to, laikykites galimai išsamesnių nacionalinių reglamentų. Užkljuokite juosta arba padenkite atvirus kontaktus ir supakuokite akumuliatorių taip, kad ji pakuotėje nejudėtų.
11. **Vadovaukitės vietos įstatymais dėl akumuliatorių išmetimo.**
12. **Baterijas naudokite tik su „Makita“ nurodytais gaminiais.** Baterijas įdėjus į netinkamus gaminius gali kilti gaisras, gaminys pernelyg kaisti, kilti sprogimas arba pratekėti elektrolitas.

SAUGOKITE ŠIAS INSTRUKCIJAS.

⚠️ PERSPĖJIMAS: Naudokite tik originalų „Makita“ akumuliatorių. Neoriginalaus „Makita“ arba pakeisto akumulatoriaus naudojimas gali nulemti gaisrą, asmens sužalojimą ir pažeidimą. Tai taip pat panaikina „Makita“ suteikiamą „Makita“ įrankio ir įkroviklio garantiją.

Patarimai, ką daryti, kad akumulatorius veiktų kuo ilgiau

1. **Pakraukite akumulatoriaus kasetę prieš jai visiškai išsikraunant.** Visuomet nustokite naudoti įrankį ir pakraukite akumulatoriaus kasetę, kai pastebite, kad įrankio galia sumažėjo.
2. **Niekada nekraukite iki galo įkrautos akumulatoriaus kasetės.** Perkraunant trumpėja akumulatoriaus eksploatacijos laikas.
3. **Akumulatoriaus kasetę kraukite esant kambario temperatūrai 10 - 40 °C.** Prieš pradėdami krauti, leiskite įkaitusiai akumulatoriaus kasetei atvėsti.
4. **Įkraukite akumulatoriaus kasetę, jei jos nenaudojate ilgą laiką (ilgiau nei šešis mėnesius).**

VEIKIMO APRAŠYMAS

⚠️ PERSPĖJIMAS: Prieš pradėdami reguliuoti arba tikrinti įrankio veikimą, visuomet būtinai išjunkite įrankį ir išimkite akumulatoriaus kasetę.

Akumulatoriaus kasetės uždėjimas ir nuėmimas

⚠️ PERSPĖJIMAS: Prieš įdėdami arba išimdami akumulatoriaus kasetę, visada išjunkite įrankį.

⚠️ PERSPĖJIMAS: Įdėdami arba išimdami akumulatoriaus kasetę, tvirtai laikykite įrankį ir akumulatoriaus kasetę. Jeigu įrankį ir akumulatoriaus kasetę laikysite netvirtai, jie gali išslysti iš jūsų rankų, todėl įrankis ir akumulatoriaus kasetė gali būti sugadinti, o naudotojas sužalotas.

⚠️ PERSPĖJIMAS: Visada nuleiskite pagrindą žemyn, kai dedate / išimate akumulatoriaus. Būkite atsargūs, kad dirbdami neprispaustumėte pirštų.

⚠️ PERSPĖJIMAS: Su diskiniu pjūklų nenaudokite akumulatoriaus adapterio. Akumulatoriaus adapterio kabelis gali trukdyti darbu ir sužaloti.

► **Pav.7:** 1. Svirtis 2. Kablys 3. Raudonas indikatorius 4. Mygtukas 5. Akumulatoriaus kasetė

Prieš išimdami akumulatoriaus kasetę, pakelkite kabliį ir atlaisvinkite svirtį, kad galėtumėte reguliuoti gylį, ir nuleiskite įrankio pagrindą. Tuomet išstumkite akumuliatorių iš įrankio, slinkdami kasetės priekyje esantį mygtuką.

Jei norite įdėti akumulatoriaus kasetę, sulygiuokite liežuvelį ant akumulatoriaus kasetės su grioveliu korpusė ir įstumkite jį jai skirtą vietą. Įdėkite iki galo, kol spragtelėdama užsifiksuos. Jeigu matote raudoną indikatorius viršutinėje mygtuko pusėje, ji nėra visiškai užfiksuota.

⚠️ PERSPĖJIMAS: Akumulatoriaus kasetę visada įkiškite iki galo, kol nebeatysite raudono indikatoriaus. Priešingu atveju ji gali atsitiktinai iškristi iš įrankio, sužeisti jus arba aplinkinius.

⚠️ PERSPĖJIMAS: Nekiškite akumulatoriaus kasetės jėga. Jeigu kasetė sunkiai lenda, ją kišate netinkamai.

PASTABA: Įrankis neveikia tik su viena akumulatoriaus kasete.

Įrankio / akumulatoriaus apsaugos sistema

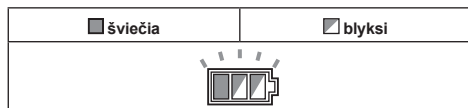
Įrankyje įrengta įrankio / akumulatoriaus apsaugos sistema. Ši sistema automatiškai atjungia variklio maitinimą, kad įrankis ir akumulatorius ilgiau veiktų. Įrankis automatiškai išsijungs darbo metu esant vienai iš toliau nurodytų įrankio arba akumulatoriaus darbo sąlygų. Esant tam tikroms sąlygoms užsidega indikatoriai.

Apsauga nuo perkrovos

Kai įrankis naudojamas taip, kad neįprastai padidėja elektros srovė, įrankis automatiškai išsijungia. Tokiu atveju atleiskite įrankio gaiduką ir nutraukite darbą, dėl kurio kilo įrankio perkrova. Po to vėl įjunkite įrankį.

Apsauga nuo perkaitimo

Jeigu įrankis perkaista, automatiškai išsijungia ir maždaug 60 sekundžių žybcioja akumuliatoriaus indikatorius lemputė. Tokiu atveju palaukite, kol įrankis atvės, paskui vėl jį įjunkite.



Įspėjimas apie perkrovą

Jeigu įrankis naudojamas esant pernelyg didelei apkrovai, režimo indikatorius mirksės žaliai. Režimo indikatorius nustos mirksėti, tuomet įsižiėbs arba išsijungs, jeigu sumažinsite apkrovą įrankiu.

► **Pav.8:** 1. Režimo indikatorius

Apsauga nuo visiško išsikrovimo

Žymiai sumažėjus akumuliatoriaus galiai, įrankis automatiškai išsijungia. Jeigu gaminyje neveikia net ir spaudžiant jungiklius, išimkite akumuliatorių iš įrankio ir įkraukite.

Likusios akumuliatoriaus galios rodymas

► **Pav.9:** 1. Akumuliatoriaus indikatorius 2. Tikrinimo mygtukas

Paspauskite tikrinimo mygtuką, kad būtų rodoma likusi akumuliatoriaus energija. Akumuliatorių indikatoriai parodo atitinkamo akumuliatoriaus galią.

Akumuliatoriaus indikatorius būseną			Likusi akumuliatorių galia
Šviečia	Nešviečia	Blyksi	
			50–100 %
			20–50 %
			0–20 %
			Įkraukite akumuliatorių

Likusios akumuliatoriaus galios rodymas

Tik akumuliatoriaus kasetėms su indikatoriumi

► **Pav.10:** 1. Indikatorių lemputės 2. Tikrinimo mygtukas

Paspauskite akumuliatoriaus kasetės tikrinimo mygtuką, kad būtų rodoma likusi akumuliatoriaus energija. Maždaug trims sekundėms užsidegs indikatorių lemputės.

Indikatorių lemputės			Likusi galia
Šviečia	Nešviečia	Blyksi	
			75 - 100 %
			50 - 75 %
			25 - 50 %
			0 - 25 %
			Įkraukite akumuliatorių.
			Galimai įvyko akumuliatoriaus veikimo triktis.

PASTABA: Rodmuo gali šiek tiek skirtis nuo faktinės energijos lygio – tai priklauso nuo naudojimo sąlygų ir aplinkos temperatūros.

Automatinio greičio keitimo funkcija

Šis įrankis turi „didelio greičio režimą“ ir „didelio sukimo momento režimą“.

Įrankis automatiškai perjungia darbo režimą atsižvelgiant į darbo apkrovą. Kai darbo apkrova maža, įrankis veiks didelio greičio režimu, kad greičiau pjautų. Kai darbo apkrova didelė, įrankis veiks didelio sukimo momento režimu, kad galingiau pjautų.

► **Pav.11:** 1. Režimo indikatorius

Kai veikiant įrankiui užsidega režimo indikatorius lemputė, įrankis veikia didelio sukimo momento režimu.

Režimo indikatorius būseną		Veikimo režimas
šviečia	nešviečia	
		Didelio greičio režimas
		Didelio sukimo momento režimas

Pjovimo gylio reguliavimas

▲ PERSPĖJIMAS: Nustatę pjovimo gylį, visada patikimai užtvirtinkite svirtelę.

Atlaisvinkite ant gylio kreiptuvo esančią svirtelę ir slinkite pagrindą aukštyn arba žemyn. Nustatę norimą pjovimo gylį, užtvirtinkite pagrindą, užverždami svirtelę. Norėdami pjauti švariau ir saugiau, nustatykite tokį pjovimo gylį, kad už ruošinio kyšotų tik vienas disko dantis. Tinkamo pjovimo gylio pasirinkimas padeda sumažinti galimą ATATRANKOS pavojų, dėl kurios galima susižeisti.

► **Pav.12:** 1. Svirtis

Istrižųjų pjūvių darymas

▲ PERSPĖJIMAS: Paregulavę nuožulnumo kampa, visada tvirtai užveržkite svirtį.

Atlaisvinkite svirtelę ir atitinkamai pakreipdami, nustatykite norimą kampa, po to tvirtai priveržkite svirtelę.

► **Pav.13:** 1. Svirtis

Teigiamas kaištis

Teigiamas kaištis yra naudingas norint greitai nustatyti nurodytą kampa. Pasukite teigiamą kaištį taip, kad ant jo esanti rodyklė būtų nukreipta į norimą posvyrio kampa (22,5°/45°/53°). Atlaisvinkite svirtelę ir kreipkite įrankio pagrindą, kol jis sustos. Padėtis, kurioje sustoja įrankio pagrindas, yra jūsų teigiamu kaiščiu nustatytas kampas. Priveržkite svirtelę, kad įrankio pagrindas liktų šioje padėtyje.

► **Pav.14:** 1. Teigiamas kaištis

Nutaikymas

Norėdami atlikti tiesius pjūvius, sulygiuokite pagrindo priekyje pažymėtą 0° padėtį su pjovimo linija. Norėdami atlikti istrižuosius 45° pjūvius, su pjovimo linija sulygiuokite 45° padėtį.

► **Pav.15:** 1. Pjovimo linija (0° padėtis) 2. Pjovimo linija (45° padėtis)

Jungiklio veikimas

▲ JSPĖJIMAS: Prieš montuodami akumuliatoriaus kasetę įrankyje, visuomet patikrinkite, ar gaidukas tinkamai veikia ir atleistas grįžta į išjungimo padėtį „OFF“.

▲ JSPĖJIMAS: NIEKADA neužklijuokite atlaisvinimo mygtuko lipnia juostele ir nepanaikinkite jo funkcijos kitomis priemonėmis. Jungiklis su užblokuotu atlaisvinimo mygtuku gali netyčia įjungti įrankį ir operatorius gali būti sunkiai sužeistas.

▲ JSPĖJIMAS: NIEKADA nenaudokite įrankio, jei jis veikia nuspaudus tik gaiduką, tačiau nenspaudus atlaisvinimo mygtuko. Jungiklis, kurį reikia taisyti, gali netyčia įjungti įrankį ir operatorius gali būti sunkiai sužeistas. PRIEŠ pradėdami vėl naudoti įrankį, atiduokite jį suremontuoti į „Makita“ techninės priežiūros centrą.

Atlaisvinimo mygtukas neleidžia atsitiktinai paspausti gaiduko. Jei norite įjungti įrankį, paspauskite atlaisvinimo mygtuką ir gaiduką. Norėdami įrankį išjungti, gaiduką atleiskite.

► **Pav.16:** 1. Gaidukas 2. Atlaisvinimo mygtukas

PASTABA: Negalima stipriai spausti jungiklio gaiduko, nenspaudus atlaisvinimo mygtuko. Taip galima sugadinti jungiklį.

SURINKIMAS

▲ PERSPĖJIMAS: Prieš darydami ką nors įrankiui visada patikrinkite, ar įrenginys išjungtas, o akumuliatorių kasetė – nuimta.

Apvalaus pjovimo disko sumontavimas arba nuėmimas

▲ PERSPĖJIMAS: Patikrinkite, ar sumontuoto apvalaus pjovimo disko dantys įrankio priekyje nukreipti aukštyn.

▲ PERSPĖJIMAS: Apvaliam pjovimo diskui sumontuoti arba nuimti naudokite tik „MAKITA“ veržliaraktį.

Norėdami nuimti diskinio pjūklo diską, iki galo nuspauskite ašies fiksatorių, kad diskinio pjūklo diskas negalėtų sukstis, ir raktu atlaisvinkite varžtą su šešiabriaune lizdine galvute, sukdami pagal laikrodžio rodyklę. Tada visiškai išsukite varžtą su šešiabriaune lizdine galvute, nuimkite žiedą (pritaikytą konkrečiai šaliai), išorinę jungę ir diskinio pjūklo diską.

► **Pav.17:** 1. Ašies fiksatorius 2. Raktas

Įrankis be žiedo

► **Pav.18:** 1. Varžtas su šešiabriaune lizdine galvute
2. Išorinė jungė 3. Diskinio pjūklo diskas
4. Vidinė jungė

Įrankis su žiedu

► **Pav.19:** 1. Varžtas su šešiabriaune lizdine galvute
2. Išorinė jungė 3. Diskinio pjūklo diskas
4. Žiedas 5. Vidinė jungė

Jei norite sumontuoti diskinio pjūklo diską, atlikite nuėmimo procedūrą atvirkščia tvarka.

Įrankis su vidine jungė, skirta pjovimo diskui su kitokia nei 15,88 mm skersmens vidine anga

Vienoje vidinės jungės pusėje yra vienokio skersmens iškyša, o kitoje, kitokio skersmens iškyša. Pasirinkite tinkamą pusę, kurios iškyša idealiai tinka vidinei pjovimo disko angai. Dėkite vidinę jungę ant tvirtinimo veleno taip, kad vidinės jungės tinkamos pusės iškyša būtų nukreipta į išorę, paskui dėkite pjovimo diską ir išorinę jungę.

► **Pav.20:** 1. Tvirtinimo velenas 2. Vidinė jungė
3. Diskinio pjūklo diskas 4. Išorinė jungė
5. Varžtas su šešiabriaune lizdine galvute

▲ JSPĖJIMAS: PATIKRINKITE, AR TVIRTAI UŽVERŽĖTE ŠEŠIAKAMPĮ VARŽTĄ, SUKdami PRIŠ LAIKRODŽIO RODYKLĘ. Tačiau neveržkite varžto per jėgą. Nuslydus rankai nuo šešiabriaunio rakto, galima susižaloti.

▲ JSPĖJIMAS: Įsitinkinkite, ar į išorę nukreipta vidinės jungės iškyša „a“ idealiai atitinka pjovimo disko angą „a“. Uždėjus diską netinkama puse, gali atsirasti pavojinga vibracija.

Įrankis su vidine jungė, skirta pjovimo diskui su 15,88 mm skersmens vidine anga (pritaikyta konkrečiai šaliai)

Dėkite vidinę jungė ant tvirtinimo veleno taip, kad įdubusi vidinės jungės pusė būtų nukreipta į išorę, tada uždėkite pjovimo diską (jei reikia, uždėję žiedą), išorinę jungė ir įsukite varžtą su šešiabriaune lizdine galvute.

Įrankis be žiedo

- **Pav.21:** 1. Tvirtinimo velenas 2. Vidinė jungė
3. Diskinio pjūklo diskas 4. Išorinė jungė
5. Varžtas su šešiabriaune lizdine galvute

Įrankis su žiedu

- **Pav.22:** 1. Tvirtinimo velenas 2. Vidinė jungė
3. Diskinio pjūklo diskas 4. Išorinė jungė
5. Varžtas su šešiabriaune lizdine galvute
6. Žiedas

⚠ PERSPĖJIMAS: PATIKRINKITE, AR TVIRTAI UŽVERŽĖTE ŠEŠIAKAMPĮ VARŽTĄ, SUKDAMI PRIEŠ LAIKRODŽIO RODYKLĘ. Tačiau neveržkite varžto per jėgą. Nuslydus rankai nuo šešiabriauno rakto, galima susižaloti.

⚠ PERSPĖJIMAS: Jei diskui ant veleno uždėti reikalingas žiedas, visada patikrinkite, ar tarp vidinės ir išorinės jungių uždėtas žiedas, tinkantis ketinamo naudoti disko veleno angai. Naudojant netinkamo skersmens veleno angai skirtą žiedą, diskas gali būti sumontuotas netinkamai, būti per laisvas ir stipriai vibruoti, todėl galima nesuvaldyti įrankio ir sunkiai susižaloti.

Disko apsauginio gaubto valymas

Keisdami apvalų pjovimo diską, būtinai išvalykite ir viršutiniame bei apatiniame apsauginiuose disko gaubtuose susikaupusias pjuvenas, kaip nurodyta techninės priežiūros skyriuje. Visgi prieš kiekvieną naudojimą būtinai patikrinkite, ar tinkamai veikia apatinis apsauginis gaubtas.

Dulkių siurblio prijungimas

PASTABA: Kai kuriose šalyse įrankis neturi dulkių ištraukimo antgalio.

Kai norite švariai nupjauti, prie savo įrankio prijunkite „Makita“ vakuuminį valymo įrenginį.

- **Pav.23:** 1. Guminis gaubtelis
► **Pav.24:** 1. Guminis gaubtelis 2. Dulkių siurblys
3. Žarna

Nuimkite guminį gaubtelį nuo dulkių ištraukimo antgalio ir prijunkite vakuuminio valymo įrenginio žarną, kaip parodyta.

PASTABA: Guminį gaubtelį laikykite įrankio priekyje, kad nepažeistumėte.

PASTABA: Kai vakuuminio valymo įrenginio nenaudojate, pritvirtinkite guminį gaubtelį prie dulkių ištraukimo antgalio.

NAUDOJIMAS

⚠ PERSPĖJIMAS: **Atsargiai tiesiai traukite įrankį į priekį.** Traukiant jėga arba sukant įrankį, variklis gali perkaisti, atsirasti pavojinga atitranka, kuri kelia pavojų sunkiai susižeisti.

PASTABA: Kai akumulatoriaus kasetė yra šalta, įrankis gali veikti ne visu pajėgumu. Tokiu atveju kurį laiką naudokite įrankį, pavyzdžiui, nedideliems pjovimo darbams, kol akumulatoriaus kasetė sušils iki kambario temperatūros. Tuomet įrankis galės veikti visu pajėgumu.

► Pav.25

Tvirtai laikykite įrankį. Įrankyje įtaisytos priekinė ir galinė rankenos. Norėdami tvirtai laikyti įrankį, laikykite už abiejų rankenų. Jei pjūklą laikysite abiem rankomis, diskinio pjūklo diskas negalės jų įpjauti. Padėkite įrankio pagrindą ant ruošinio, kurį pjausite, taip, kad diskinio pjūklo diskas nelieštų ruošinio. Įjunkite įrankį ir palaukite, kol diskinio pjūklo diskas pradės sukis visu greičiu. Tada tiesiog stumkite įrankį ruošinio paviršiumi į priekį, laikydami lygiai ir tolygiai stumdami, kol baigsite pjauti. Kad pjūviai būtų tiesūs, išlaikykite tiesią pjovimo liniją ir tolygiai stumkite įrankį. Jei pjudami nukrypote nuo numatytos pjovimo linijos, nebandykite pasukti arba jėga grąžinti įrankio į pjovimo liniją. Taip darant diskinio pjūklo diskas gali pradėti strigti, sukelti pavojingą atitranką ir sunkiai sužaloti. Atleiskite jungiklį, palaukite, kol diskinio pjūklo diskas sustos, ir atitraukite įrankį. Sulygiuokite įrankį pagal naują pjovimo liniją ir vėl pradėkite pjauti. Stenkitės išvengti tokios padėties, kurioje į įrenginio valdytoją nuo pjūklo lekia atplaišos ir medžio dulkės. Kad išvengtumėte sužalojimų, užsidėkite apsauginius akinius.

Kablys

⚠ PERSPĖJIMAS: Kai pakabinatė įrankį už kablo, visada išimkite akumulatorius.

⚠ PERSPĖJIMAS: Niekada nekabinkite įrankio aukštai arba ant paviršių, kur įrankis gali netekti pusiausvyros ir nukristi.

⚠ PERSPĖJIMAS: Netraukite pakabinto įrankio žemyn.

Kablys yra patogus, kai reikia trumpam pakabinti įrankį. Norėdami naudoti kablį, tiesiog pakeikite ir atverskite kablį, kad jis spragtelėdamas užsifiksuotų. Kai jo nenaudojate, visada lenkite kablį, kol jis spragtelės, užfiksuojamas į nuleistą padėtį.

- **Pav.26:** 1. Kablys

► Pav.27

Prapjovos kreiptuvas (kreipiamoji liniuotė)

Pasirenkamas priedas

Patogus prapjovos kreiptuvą leidžia padaryti labai tikslus tiesius pjūvius. Tiesiog priglauskite prapjovos kreiptuvą prie ruošinio šono ir pagrindo priekyje esančiu varžtu užtvirtinkite jį tokioje padėtyje. Šis įrenginys taip pat leidžia atlikti vienodo pločio pjūvius.

- **Pav.28:** 1. Prapjovos kreiptuvas (kreipiamoji liniuotė) 2. Suveržimo varžtas

Saugos diržo (diržo) jungtis

⚠ Saugos įspėjimai naudojant aukštai
Perskaitykite visus saugos įspėjimus ir nurodymus.
Nepaisant įspėjimų ir nurodymų, galima sunkiai susižeisti.

1. Kai dirbate aukštai, įrankį visada laikykite priištą. Maksimalus saugos diržo ilgis yra 2 m (6,5 pėd.).
2. Naudokite tik šiam įrankio tipui tinkamus saugos diržus, skirtus bent 6,5 kg (14,4 sv.).
3. Netvirtinkite įrankio saugos diržo prie savęs ar ant judančių dalių. Įrankio saugos diržą tvirtinkite prie tvirtos konstrukcijos, kad jis išlaikytų numesto įrankio jėgas.
4. Prieš naudojimą įsitikinkite, kad saugos diržas yra tinkamai pritvirtintas kiekviename gale.
5. Prieš kiekvieną naudojimą patikrinkite įrankį ir saugos diržą, ar nesugadinti ir tinkamai veikia (įskaitant audinį ir siūles). Jeigu sugadinti arba veikia netinkamai, nenaudokite.
6. Nevyniokite saugos diržų aplink ir neleiskite jiems liestis prie aštrių ar grubių kraštų.
7. Kitą saugos diržą galą pritvirtinkite ne darbo zonoje, kad krintantis įrankis būtų saugiai prilaikomas.
8. Pritvirtinkite saugos diržą taip, kad įrankis kritimo atveju judėtų tolyn nuo operatoriaus. Nukritę įrankiai susips ant saugos diržo, todėl galima susižaloti arba prarasti pusiausvyrą.
9. Nenaudokite šalia judančių dalių ar veikiančių įrengimų. Jeigu nesilaikysite šio nurodymo, gali kilti sutraiškymo ar įsipaiojimo pavojus.
10. Neneškite įrankio, paėmę už tvirtinimo įtaiso arba saugos diržo.
11. Įrankį iš vienos rankos į kitą perimkite tik tada, kai galite tinkamai išlaikyti pusiausvyrą.
12. Netvirtinkite saugos diržų prie įrankio taip, kad apsaugai, jungikliui ar atlaisvinimo įtaisai negalėtų tinkamai veikti.
13. Stenkitės nesusipainioti saugos diržuose.
14. Saugos diržą laikykite kuo toliau nuo įrankio pjovimo vietos.
15. Naudokite kelių veiksmų ir varžtų tipo karabinus. Nenaudokite vieno veiksmo spyruoklinio užsegimo karabinų.
16. Jeigu įrankis numetamas, jis turi būti pažymėtas ir pašalintas iš eksploatacijos; jį taip pat turi patikrinti „Makita“ gamykla ar įgaliotasis aptarnavimo centras.

► Pav.29: 1. Saugos diržo (diržo) anga

PASTABA: Niekada nenaudokite gazolino, benzino, tirpiklio, spirito arba panašių medžiagų. Gali atsirasti išblukimų, deformacijų arba įtrūkimų.

0° pjūvio tikslumo reguliavimas

Šis reguliavimas atliktas gamykloje. Jei įrankis išsireguliuo, jį galite vėl sureguliuoti atlikdami toliau aprašytą procedūrą.

1. Šiek tiek atlaisvinkite svirtelę ant įstrižos skalės plokštelės.
 2. Naudodami trikampę arba statuso kampo liniuotę ir sukdami reguliavimo varžtą, nustatykite, kad pagrindas būtų statmenas diskui.
- Pav.30: 1. Trikampė liniuotė 2. Reguliavimo varžtas
3. Priveržkite svirtelę ir pabandykite pjauti, kad patikrintumėte, ar diskas vertikalus.

Kad gaminys būtų SAUGUS ir PATIKIMAS, jį taisyti, apžiūrėti ar vykdyti bet kokią kitą priežiūrą ar derinimą turi įgaliotasis kompanijos „Makita“ techninės priežiūros centras; reikia naudoti tik kompanijos „Makita“ pagamintas atsargines dalis.

PASIRENKAMI PRIEDAI

⚠ PERSPĖJIMAS: Šiuos papildomus priedus arba įtaisyti rekomenduojama naudoti su šioje instrukcijoje nurodytu „Makita“ bendrovės įrankiu. Naudojant bet kokius kitus papildomus priedus arba įtaisyti, gali kilti pavojus sužeisti žmones. Naudokite tik nurodytam tikslui skirtus papildomus priedus arba įtaisyti.

Jeigu norite daugiau sužinoti apie tuos priedus, kreipkitės į artimiausią „Makita“ techninės priežiūros centrą.

- Apvalus pjovimo diskas
- Raktas
- Prapjovos kreiptuvas (kreipiamoji liniuotė)
- Originalus „Makita“ akumulatorius ir įkroviklis

PASTABA: Kai kurie sąraše esantys priedai gali būti pateikti įrankio pakuotėje kaip standartiniai priedai. Jie įvairiose šalyse gali skirtis.

TECHNINĖ PRIEŽIŪRA

⚠ PERSPĖJIMAS: Visuomet įsitikinkite, ar įrankis yra išjungtas ir akumulatoriaus kasetė yra nuimta prieš atlikdami apžiūrą ir priežiūrą.

⚠ PERSPĖJIMAS: Išvalykite viršutinį ir apatinį apsauginius gaubtus, kad neliktų susikaupusių pjuvenų, kurios gali trukdyti veikti apatinei apsaugos sistemai. Nešvari apsaugos sistema gali tinkamai neveikti ir dėl to galima sunkiai susižaloti. Norint išvalyti efektyviausiai, reikia naudoti suslėgtą orą. Pučiant pjuvenas iš apsauginių gaubtų, būtina naudoti tinkamą akių ir kvėpavimo organų apsaugą.

TEHNILISED ANDMED

Mudel:	DRS780		
Tera läbimõõt	185 mm		
Max. lõikesügavus	0° juures	65 mm	
	45° kaldserva juures	45 mm	
	53° kaldserva juures	38 mm	
Koormuseta kiirus	5100 min ⁻¹		
Üldpikkus	446 mm		
Nimipinge	Alalisvool 36 V		
Netokaal	5,0 - 5,7 kg		

- Meie pideva uuringu- ja arendusprogrammi tõttu võidakse tehnilisi andmeid muuta ilma sellest ette teatamata.
- Tehnilised andmed võivad riigiti erineda.
- Kaal võib erineda olenevalt lisaseadistest, kaasa arvatud akukassetist. Kergeim ja raskeim kombinatsioon EPTA-protseduuri 01/2014 kohaselt on toodud tabelis.

Sobiv akukassett ja laadija

Akukassett	BL1815N / BL1820 / BL1820B / BL1830 / BL1830B / BL1840 / BL1840B / BL1850 / BL1850B / BL1860B
Laadija	DC18RC / DC18RD / DC18RE / DC18SD / DC18SE / DC18SF

- Mõned eespool loetletud akukassetid ja -laadijad ei pruugi olla teie riigis saadaval.

⚠ HOIATUS: Kasutage ainult ülalpool loetletud akukassette ja laadijaid. Muude akukassettide ja laadijate kasutamine võib tekitada vigastusi ja/või tulekahju.

Kavandatud kasutus

Tööriist on ette nähtud puidust piki- ja ristsuunaliste sirgjooneliste lõigete ja erineva nurga all faaside lõikamiseks tihedas kokkupuutes töödeldava detailiga.

Müra

Tüüpiline A-korrigeeritud müratase, määratud standardi EN62841-2-5 kohaselt:

Helirõhutase (L_{pA}): 92 dB (A)

Helivõimsuse tase (L_{WA}): 103 dB (A)

Määramatus (K): 3 dB (A)

MÄRKUS: Deklareeritud müra väärtust (väärtuseid) on mõõdetud kooskõlas standardse katsemeetodiga ning seda võib kasutada ühe seadme võrdlemiseks teisega.

MÄRKUS: Deklareeritud müra väärtust (väärtuseid) võib kasutada ka mürataseme esmaseks hindamiseks.

⚠ HOIATUS: Kasutage kõrvakaitsmeid.

⚠ HOIATUS: Müratase võib elektritööriista tegelikkuses kasutamise ajal erineda deklareeritud väärtus(t)est olenevalt tööriista kasutusviisidest ja eriti töödeldavast toorikust.

⚠ HOIATUS: Rakendage operaatori kaitsmiseks kindlasti piisavaid ohutusabinõusid, mis põhinevad hinnangulisel müratasemel tegelikus tööolukorras (võttes arvesse tööperioodi kõiki osasid, näiteks korrad, kui seade lülitatakse välja ja seade töötab tühikäigul, lisaks tööajale).

Vibratsioon

Vibratsiooni koguväärtus (kolmeteljeliste vektorite summa) määratud standardi EN62841-2-5 kohaselt:

Töörežiim: puidu saagimine

Vibratsiooniheide ($a_{h,w}$): 2,5 m/s² või vähem

Määramatus (K): 1,5 m/s²

MÄRKUS: Deklareeritud vibratsiooni koguväärtust (-väärtuseid) on mõõdetud kooskõlas standardse katsemeetodiga ning seda võib kasutada ühe seadme võrdlemiseks teisega.

MÄRKUS: Deklareeritud vibratsiooni koguväärtust (-väärtuseid) võib kasutada ka mürataseme esmaseks hindamiseks.

⚠ HOIATUS: Vibratsioonitase võib elektritööriista tegelikkuses kasutamise ajal erineda deklareeritud väärtus(t)est olenevalt tööriista kasutusviisidest ja eriti töödeldavast toorikust.

⚠ HOIATUS: Rakendage operaatori kaitsmiseks kindlasti piisavaid ohutusabinõusid, mis põhinevad hinnangulisel müratasemel tegelikus tööolukorras (võttes arvesse tööperioodi kõiki osasid, näiteks korrad, kui seade lülitatakse välja ja seade töötab tühikäigul, lisaks tööajale).

EÜ vastavusdeklaratsioon

Ainult Euroopa riikide puhul

EÜ vastavusdeklaratsioon sisaldub käesoleva juhendi Lisas A.

OHUTUSHOIATUSED

Üldised elektritööriistade ohutushoiatused

⚠️HOIATUS: Lugege läbi kõik selle elektritööriistaga kaasas olevad ohutushoiatused, juhised, joonised ja tehnilised andmed. Järgnevate juhiste eiramine võib põhjustada elektrilöögi, süttimise ja/või raske kehavigastuse.

Hoidke edaspidisteks viideteks alles kõik hoiatused ja juhtnõbrid.

Hoiatuses kasutatud termini „elektritööriist“ all peetakse silmas elektriga töötavaid (juhtmega) elektritööriistu või akuga töötavaid (juhtmeta) elektritööriistu.

Juhtmeta ketassae ohutusnõuded

Lõikamine

- ⚠️OHT:** Hoidke käed lõikepiirkonnast ja -terast eemal. Hoidke oma teist kätt abikäepidemel või mootori korpusel. Kui tööriista hoitakse mõlema käega, siis ei satu need lõiketera ette.
 - Ärge kummardage töödeldava detaili alla.** Piire ei kaitse teid lõiketera eest töödeldava detaili all.
 - Reguleerige lõikesügavust vastavalt töödeldava detaili paksusele.** Töödeldava detaili all peavad olema näha lõiketera hambad vähem kui terve hamba kõrguse ulatuses.
 - Ärge hoidke mitte kunagi töödeldavat detaili lõikamise ajal käes ega põlve peal. Kinnitage töödeldav detail stabiilsele alusele.** Oluline on töödeldavat detaili õigesti toestada, et vähendada keha kaitseta jätmist, lõiketera kinnikiilumist või kontrolli kaotust.
- ▶ **Joon.1**
- Hoidke elektritööriista isoleeritud käepidemetest, kui töötate kohtades, kus lõikeriist võib kokku puutuda peidetud juhtmetega.** Kokkupuude voolu all oleva juhtmega võib pingestada ka elektritööriista katmata metallosad ning operaator võib saada elektrilöögi.
 - Pikilõikamisel kasutage alati piiret või sirge serva juhikut.** See parandab lõike täpsust ja vähendab lõiketera kinnikiilumise võimalust.
 - Kasutage alati õige suuruse ja kujuga (teemant tavalise asemel) vooliaukudega lõiketerasid.** Sae konstruktsiooniga mitteühitvad lõiketerad hakkavad liikuma ekstsentriliselt, põhjustades kontrolli kaotuse tööriista üle.
 - Ärge kasutage kahjustunud ega nõuetele mittevastavaid lõiketera seibe ega polti.** Optimaalse töövõime ja -ohutuse tagamiseks on lõiketera seibid ja polt spetsiaalselt välja töötatud teie saele.

Tagasilöögi põhjused ja sellega seotud hoiatused

- tagasilööök on äkiline reaktsioon kinni kiilunud, kinni pigistatud või orientatsiooni kaotanud saeterale, mis põhjustab tööriista üleskerkimist ja väljumist töödeldavast detailist operaatori poole;

- kui lõiketera on sisselõikesse tihedalt kinni pigistatud või kinni kiilunud, siis lõiketera seiskub ja mootori reaktsiooni tõttu juhitakse seade kiiresti tagasi operaatori poole;
- kui lõiketera on sisselõikesse väändunud või orientatsiooni kaotanud, võivad lõiketera tagumise serva hambad kaevuda puidu pealispinda ning põhjustada lõiketera ülespoole tõusmise sisselõikes ja pörkimise tagasi operaatori poole.

Tagasilööök on sae väärkasutuse ja/või ebaõigete tööoperatsioonide või -tingimuste tulemus, mida on võimalik vältida, kui järgitakse alljärgnevat asjakohaseid ettevaatusabinõusid.

- Hoidke saest mõlema käega kindlalt kinni ja seadke käsivarred asendisse, et vastu panna tagasilöögi jõududele. Olge ükskõik kummal pool lõiketera, kuid mitte otse selle taga.** Tagasilööök võib põhjustada tööriista järsu tahapoole liikumise, kuid asjakohaseid ettevaatusabinõusid järgides saab operaator tagasilöögi jõudusid kontrolli all hoida.
- Kui lõiketera kiilub kinni või katkestab mingil põhjusel lõikamise, vabastage päästik ja hoidke tööriista liikumatul materjalil, kuni tera on täielikult seiskunud. Ärge kunagi püüdke saagi eemaldada töödeldavast detailist ega tõmmake saagi tahapoole, kui lõiketera liigub või esineb tagasilöögioht.** Tehke kindlaks lõiketera kinnikiilumise põhjus ja kõrvaldage see.
- Sae taaskäivitamisel töödeldavas detailis tsentreerige saetera sisselõikesse nii, et saehambad ei lõikuks materjalisse.** Kui saetera on materjali sisse surutud, võib see sae taaskäivitamisel kerkida või töödeldavast detailist tagasilöögi anda.
- Lõiketera kinnikiilumise ja tagasilöögiriski minimeerimiseks toestage suured paneelid.** Suured paneelid kalduvad omaenese raskele all painduma. Toed tuleb paigutada paneeli mõlema külje alla lõikekoha ja paneeliserva lähedale.

▶ Joon.2

▶ Joon.3

- Ärge kasutage nürsid ega vigastatud lõiketerasid.** Teritamata või vääralt paigaldatud lõiketerade kasutamise tulemuseks on kitsas sisselõige, mis põhjustab liigset hõõrdumist, lõiketera kinnikiilumist ja tagasilööki.
- Lõiketera sügavuse ja faasi reguleerimise lukustushoovad peavad olema enne lõikamist piguldatud ja kindlalt kinnitatud.** Kui lõiketera seadistus lõikamise ajal nihkub, võib see põhjustada kinnikiilumise ja tagasilöögi.
- Olge eriti ettevaatlik, kui teostate lõikeid olemasolevates seinetes või muudes varjatud piirkondades.** Väljaulatuv lõiketera võib lõikuda objektidesse, mis võivad põhjustada tagasilöögi.
- Hoidke ALATI tööriista kindlalt kahe käega. Ärge pange oma kätt, jalga ega mingit muud kehaosa KUNAGI tööriistaaluse alla ega sae taha, eriti ristlõigete tegemise ajal.** Kui tekib tagasilööök, võib saag hõlpsasti hüpata tahapoole üle teie kae ja põhjustada tõsise kehavigastuse.

► Joon.4

- Ärge kunagi kasutage sae suhtes jõudu. Lükake saagi ettepoole sellise kiirusega, et tera löikab kiirust vähendamata. Jõu kasutamine võib põhjustada lõigete ebatasasuse, täpsuse kaotuse ja võimaliku tagasilöögi.

Piirde funktsioon

- Enne igakordset kasutamist kontrollige alumise piirde õiget sulgemist. Ärge käivitage saagi, mille alumine piire ei liigu vabalt ja ei sulgu kohe. Ärge kunagi kinnitage alumist piiret klambriga ega siduge seda avatud asendisse. Kui saag on juhuslikult maha kukkunud, võib alumine piire olla paindunud. Tõstke alumist piiret väljatõmmatava käepideme abil ja veenduge, et see liiguks vabalt ega puudutaks lõiketera ning muid osi lõikamise kõigi nurkade ja sügavuste korral.
- Kontrollige, kas alumise piirde vedru on töökorras. Kui piire ja vedru ei tööta korrektselt, tuleb neid enne tööriista kasutamist hooldada. Alumine piire võib töötada aeglaselt kahjustunud osade, kummisette või lõikamisjääkide kogunemise tõttu.
- Alumise piirde võib käsitsi tagasi tõmmata ainult teatud lõikamiste puhul, nagu „sukelduslõikamised“ ja „kombineeritud lõikamised“. Tõstke alumist piiret väljatõmmatava käepideme abil ja niipea kui lõiketera siseneb materjali, tuleb alumine piire vabastada. Igasuguse muu saagimise puhul peab alumine juhik automaatselt töötama.
- Enne sae asetamist pingile või pörandale jälgige alati, et alumine piire kataks lõiketera. Kaitsmata, vabalt liikuv tera võib põhjustada sae tahapoole liikumise ja lõikumise ükskõik millesse oma liikumisteele. Olge teadlik ajast, mis kulub lõiketera seiskumiseks pärast tööriista väljalülitamist.
- Alumise piirde kontrollimiseks avage alumine piire käega, seejärel vabastage see ja jälgige piirde sulgumist. Kontrollige ka seda, et välja-tõmmatav käepide ei puudutaks tööriista korpusi. Lõiketera katmata jätmine on VÄGA OHTLIK ning võib põhjustada tõsiseid kehavigastusi.

Lisaohutusnõuded

- Olge eriti ettevaatlik märja puidu, survetöötlemise läbinud saematerjali või oksakohtadega puidu lõikamisel. Tagage tööriista sujuv liikumine lõiketera kiirust vähendamata, et vältida lõiketera tippude ülekuumenemist.
- Ärge püüdke eemaldada lõigatavat materjali lõiketera liikumise ajal. Enne lõigatavast materjalist kinni haaramist oodake, kuni lõiketera seiskub. Terad liiguvad peale sae väljalülitamist vabakäiguga edasi.
- Vältige naeltesse sisselõikamist. Enne lõikamist kontrollige saematerjali ja eemaldage sellest kõik naelad.
- Asetage saekorpuse laiema osa töödeldava detaili selle poole peale, mis on kindlalt toetatud, mitte sinna, mis pärast lõikamist küljest ära kukub. Kui töödeldav detail on lühike või väike, tuleb see pitskruvidega kinnitada. **ÄRGE PÜÜDKE HOIDA LÜHIKESI TÜKKE KÄEGA!**

► Joon.5

- Enne tööriista maha asetamist pärast lõikamise lõpetamist veenduge, et piire oleks suletud ja lõiketera täielikult seiskunud.
- Ärge kunagi püüdke saagida rakises tagurpidi asendis hoitava ketassaega. See on väga ohtlik ja võib põhjustada tõsiseid õnnetusi.

► Joon.6

- Mõned materjalid võivad sisaldada mürgiseid aineid. Võtke meetmed tolmu sissehingamise ja nahaga kokkupuute vältimiseks. Järgige materjali tarnija ohutusteavet.
- Ärge püüdke lõiketerasid seisata neid külgsuunas surudes.
- Ärge kasutage abrasiivkettaid.
- Kasutage saeterade puhul ainult sellist läbi-moõtu, mis on märgitud tööriistale või määratud kindlaks kasutusjuhendis. Vale suurusega lõiketera kasutamine võib negatiivselt mõjutada lõiketera nõuetekohast kaitset või kaitsepiirde funktsioneerimist, mille tagajärjeks võib olla raske kehavigastus.
- Hoidke lõiketera terava ja puhtana. Kõvastunud kumm ja puuvaik lõiketeradel aeglustab sae tööd ning suurendab tagasilöögi tekkimise võimalust. Hoidke lõiketera puhtana, eemaldage see esmalt tööriista küljest, seejärel puhastage seda kummi- ja puuvaigu eemaldusvahendi, kuuma vee või petrooleumiga. Ärge kunagi kasutage bensiini.
- Tööriista kasutamisel kandke tolmumaski ja kuulumiskaitsevahendeid.
- Kasutage alati lõigatava materjali lõikamiseks ettenähtud saetera.
- Kasutage ainult selliseid saeteri, millele märgitud kiirus on võrdne tööriistale märgitud kiirusega või sellest suurem.
- (Ainult Euroopa riikide puhul) Kasutage alati standardile EN847-1 vastavat saetera.

HOIDKE JUHEND ALLES.

▲HOIATUS: ÄRGE UNUSTAGE järgida toote ohutusnõudeid mugavuse või toote (korduskasutamise saavutatud) hea tundmise tõttu. **VALE KASUTUS** või kasutusjuhendi ohutuseeskirjade eiramine võib põhjustada tervisekahjustusi.

Akukassetiga seotud olulised ohutusjuhised

- Enne akukasseti kasutamist lugege (1) akulaadimise, (2) akul ja (3) seadmel olevad juhendkirjad ja hoiatused läbi.
- Ärge võtke akukassetti lahti.
- Kui tööaeg järsult lüheneb, siis lõpetage kohe kasutamine. Edasise kasutamise tulemuseks võib olla ülekuumenemine, võimalikud põletused või isegi plahvatus.
- Kui elektrolüüt satub silma, siis loputage silma puhta veega ja pöörduge koheselt arsti poole. Selline õnnetus võib põhjustada pimedaksjäämist.

- Ärge tekitage akukassettis lühis:
 - Ärge puutuge klemme elektrijuhtidega.
 - Ärge hoidke akukassetti tööriistakassis koos metallesemetega, nagu naelad, mündid jne.
 - Ärge tehke akukassetti märjaks ega jätke seda vihma kätte.

Aku lühis võib põhjustada tugevat elektrivoolu, ülekuumenemist, põletusi ning ka sea-
det tõsiselt kahjustada.

- Ärge hoidke tööriista ja akukassetti kohtades, kus temperatuur võib tõusta üle 50 °C.
- Ärge põletage akukassetti isegi siis, kui see on saanud tõsiselt vigastada või on täiesti kulu-
nud. Akukassett võib tules plahvatada.
- Olge ettevaatlik, ärge laske akul maha kukkuda ja vältige lööke.
- Ärge kasutage kahjustatud akut.
- Sisalduvatele liitium-ioonakudele võivad kohalduda ohtlike kaupade õigusaktide nõu-
ded.

Kaubanduslikul transportimisel, näiteks kolman-
date poolte või transportiettevõtete poolt, tuleb
järgida pakendil ja siltidel toodud erinõudeid.
Transportimiseks ettevalmistamisel on vajalik
pidada nõu ohtliku materjali eksperdiga. Samuti
tuleb järgida võimalike riiklike regulatsioonide
üksikasjalikumaid nõudeid.

Katke teibiga või varjake avatud kontaktid ja
pakendage aku selliselt, et see ei saaks pakendis
liikuda.

- Järgige kasutuskõlbmatuks muutunud aku
käitlemisel kohalikke eeskirju.
- Kasutage akusid ainult Makita heaks kiidetud
toodetega. Akude paigaldamine selleks mitte
ettenähtud toodetele võib põhjustada süttimist,
ülemääraselt kuumust, plahvatamist või elektrolüüdi
lekkimist.

HOIDKE JUHEND ALLES.

⚠ETTEVAATUST: Kasutage ainult Makita
originaalakusid. Mitte Makita originaalakude või
muudetud akude kasutamine võib põhjustada akude
süttimise, kehavigastuse ja kahjustuse. Samuti muu-
dab see kehtetuks Makita tööriista ja laadija Makita
garantii.

Vihjeid aku maksimaalse kasu- tustaja tagamise kohta

- Laadige akukassetti enne selle täielikku
tühjenemist. Kui märkate, et tööriist töötab
väiksema võimsusega, peatage töö ja laadige
akukassetti.
- Ärge laadige täielikult laetud akukassetti.
Ülelaadimine lühendab akude kasutusiga.
- Laadige akukassetti toatemperatuuril 10 °C -
40 °C. Enne laadimist laske kuumenenud aku-
kassetil maha jahtuda.
- Kui te ei kasuta akukassetti kauem kui kuus
kuud, laadige see.

FUNKTSIONAALNE KIRJELDUS

⚠ETTEVAATUST: Kandke alati hoolt selle eest,
et tööriist oleks enne reguleerimist ja kontrolli-
mist välja lülitatud ja akukassett eemaldatud.

Akukasseti paigaldamine või eemaldamine

⚠ETTEVAATUST: Lülitage tööriist alati enne
akukasseti paigaldamist või eemaldamist välja.

⚠ETTEVAATUST: Akukasseti paigaldamisel
või eemaldamisel tuleb tööriista ja akukassetti
kindlalt paigal hoida. Kui tööriista ja akukassetti ei
hoita kindlalt paigal, võivad need käest libiseda ning
kahjustada tööriista ja akukassetti või põhjustada
kehavigastusi.

⚠ETTEVAATUST: Viige akude paigaldamise/
eemaldamise ajaks alus alati alla. Olge ettevaatlik,
et mitte sõrmi vahele jätta.

⚠ETTEVAATUST: Ärge kasutage ketassaega
akuadapterit. Akuadapteri juhe võib tööd takis-
tada ja põhjustada kehavigastusi.

► **Joon.7:** 1. Hoob 2. Konks 3. Punane näidik 4. Nupp
5. Akukassett

Enne akukasseti eemaldamist tõstke konks üles ja
lõdvendage tööriista aluse langetamiseks sügavuse
reguleerimise hooba. Lükake aku tööriistast välja, lüka-
tes samal ajal kasseti esiosal asuvat nuppu.

Akukasseti paigaldamiseks joondage akukasseti keel
korpuse soonega ja libistage kassett oma kohale.
Paigaldage akuadapter alati nii kaugele, et see lukus-
tuks klõpsatusega oma kohale. Kui näete nupu ülaosas
punast osa, pole kassett täielikult lukustunud.

⚠ETTEVAATUST: Paigaldage akukassett alati
täies ulatuses nii, et punast osa ei jääks näha.
Muidu võib adapter juhuslikult tööriistast välja kuk-
kuda ning põhjustada teile või läheduses viibivatele
isikutele vigastusi.

⚠ETTEVAATUST: Ärge rakendage akukassetti
paigaldamisel jõudu. Kui kassett ei lähe kergesti
sisse, pole see õigesti paigaldatud.

MÄRKUS: Tööriist ei tööta ainult ühe akukassetiga.

Tööriista/aku kaitsesüsteem

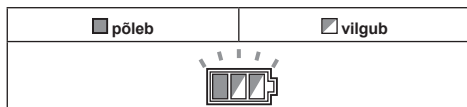
Tööriist on varustatud tööriista või aku kaitsesüsteemiga. Süsteem lülitab mootori automaatselt välja, et pikendada tööriista ja aku tööiga. Tööriist seiskub
käitamise ajal automaatselt, kui tööriista või aku kohta
kehtib üks järgmistest tingimustest. Teatud tingimustes
hakkavad indikaatorid põlema.

Ülekoormuskaitse

Kui tööriist hakkab kasutamise käigus tarbima ebaharilikult palju voolu, seiskub see automaatselt. Sellisel juhul lülitage tööriist välja ja lõpetage kasutamine, mis põhjustas tööriista ülekoormuse. Pärast seda käivitage tööriist uuesti.

Ülekuumenemiskaitse

Kui tööriist on ülekuumenenud, seiskub see automaatselt ja aku indikaator vilgub umbes 60 sekundit. Sellisel olukorras laske tööriistal enne uuesti sisselülitamist maha jahtuda.



Ülekuumenemise hoiatus

Kui tööriista kasutatakse liiga suurel koormusel, hakkab režiimiindikaator roheliselt vilkuma. Režiimiindikaator lõpetab vilkumise ja jääb põlema või kustub, kui vähendate tööriista koormust.

► **Joon.8:** 1. Režiiminäidik

Ülelaadimiskaitse

Kui aku laetuse tase on madal, siis seiskub tööriist automaatselt. Kui seade ei hakka tööle ka lülitite kasutamisel, eemaldage tööriistast akud ja laadige neid.

Aku jääkmahutavuse näit

► **Joon.9:** 1. Akunäidik 2. Kontrollimise nupp

Aku järelejäänud mahutavuse kontrollimiseks vajutage kontrollimise nuppu. Kummalgi akul on oma akuindikaator.

Akunäidiku olek			Aku jääkmahutavus
<input type="checkbox"/> Põleb	<input type="checkbox"/> Ei põle	<input type="checkbox"/> Vilgub	
			50% kuni 100%
			20% kuni 50%
			0% kuni 20%
			Laadige akut

Aku jääkmahutavuse näit

Ainult näidikuga akukassettidele

► **Joon.10:** 1. Märgulambid 2. Kontrollimise nupp

Akukasseti järelejäänud mahutavuse kontrollimiseks vajutage kontrollimise nuppu. Märgulambid süttivad mõneks sekundiks.

Märgulambid			Jääkmahutavus
<input type="checkbox"/> Põleb	<input type="checkbox"/> Ei põle	<input type="checkbox"/> Vilgub	
<input checked="" type="checkbox"/>	<input checked="" type="checkbox"/>	<input checked="" type="checkbox"/>	75 - 100%
<input checked="" type="checkbox"/>	<input checked="" type="checkbox"/>	<input type="checkbox"/>	50 - 75%
<input checked="" type="checkbox"/>	<input type="checkbox"/>	<input type="checkbox"/>	25 - 50%
<input type="checkbox"/>	<input type="checkbox"/>	<input type="checkbox"/>	0 - 25%
<input type="checkbox"/>	<input type="checkbox"/>	<input type="checkbox"/>	Laadige akut.
<input checked="" type="checkbox"/>	<input type="checkbox"/>	<input type="checkbox"/>	Akul võib olla tõrge.
<input type="checkbox"/>	<input type="checkbox"/>	<input checked="" type="checkbox"/>	

MÄRKUS: Näidatud mahutavus võib veidi erineda tegelikust mahutavusest olenevalt kasutustingimustest ja ümbritseva keskkonna temperatuurist.

Automaatne kiiruse muutmise funktsioon

Tööriistal on „suure kiiruse režiim” ja „suure pöördemomendi režiim”.

Tööriist muudab olenevalt töökoormusest töörežiimi automaatselt. Kui töökoormus on väike, töötab tööriist kiiremini lõikamiseks „suure kiiruse režiimis”. Kui töökoormus on suur, töötab tööriist suurema võimsusega lõikamiseks „suure pöördemomendi režiimis”.

► **Joon.11:** 1. Režiiminäidik

Režiimiindikaator läheb põlema, kui tööriist töötab „suure pöördemomendi režiimis”.

Režiiminäidiku olek		Töörežiim
<input checked="" type="checkbox"/> Põleb	<input type="checkbox"/> Ei põle	
<input type="checkbox"/>	<input type="checkbox"/>	Suure kiiruse režiim
<input checked="" type="checkbox"/>	<input type="checkbox"/>	Suure pöördemomendi režiim

Lõikesügavuse reguleerimine

⚠ETTEVAATUST: Pärast lõikesügavuse reguleerimist pingutage hoob alati korralikult.

Lõdvendage sügavusjuhikule olevat hooba ning nihutage alust üles või alla. Soovitud lõikesügavuse juures kinnitage alus, pingutades hooba.

Puhtamate ja ohutumate lõigete tegemiseks seadke lõikesügavus sellisel, et töödeldavast detailist allapoole ei ulatuks rohkem kui üks terahammus. Õige lõikesügavuse kasutamine aitab vähendada kehavigastusi põhjustada võivate ohtlike TAGASILÕÖKIDE võimalust.

► **Joon.12:** 1. Hoob

Kaldlõikamine

⚠ETTEVAATUST: Pärast kaldenurga reguleerimist pingutage hoob alati korralikult kinni.

Lõdvendage hooba ja seadke kallutamise paika soovitud kaldenurk, seejärel kinnitage korralikult hoob.

► **Joon.13:** 1. Hoob

Positiivne sulgur

Positiivne sulgur on kasulik vajaliku nurga kiiresti seadistamiseks. Pöörake positiivset sulgurit nii, et sellel olev nool osutaks soovitud kaldenurgale (22,5°/45°/53°). Lõdvendage hooba ja kallutage seejärel tööriista alust, kuni see peatub. Tööriista aluse peatumiskoht on nurk, mille seadistate positiivse sulguriga. Kinnitage hoob, kui tööriista alus on selles asendis.

► **Joon.14:** 1. Positiivne sulgur

Sihtimine

Sirgete lõigete puhul joondage 0° positsioon aluse ees oma lõikejoonega. 45° kaldlõigete tegemiseks seadke sellega kohakuti 45° positsioon.

► **Joon.15:** 1. Lõikejoon (0° positsioon) 2. Lõikejoon (45° positsioon)

Lüliti funktsioneerimine

⚠HOIATUS: Kontrollige alati enne akukasseti tööriista külge paigaldamist, kas lüliti päästik funktsioneerib nõuetekohaselt ja liigub lahtilaskmisel tagasi väljalülitatud asendisse.

⚠HOIATUS: Lahtilukustusnupu fikseerimine kleelplindi vms-ga on KEELATUD. Inaktiveeritud lahtilukustusnupuga lüliti võib põhjustada masina soovimatut sisselülitumist, millega kaasnevad tõsised vigastused.

⚠HOIATUS: ÄRGE kasutage KUNAGI masinat, kui see käivitub ka siis, kui lahtilukustusnupu vajutamata vajutate lihtsalt lüliti päästikut.

Remonti vajav lüliti võib põhjustada masina soovimatut sisselülitumist, millega kaasnevad tõsised vigastused. ENNE edasist kasutamist viige masin parandamiseks Makita teeninduskeskusesse.

Et vältida lüliti päästiku juhuslikku vajutamist, on tööriistal lahtilukustusnupp. Tööriista käivitamiseks vajutage lahtilukustusnupp alla ja tõmmake lüliti päästikut. Vabastage lüliti päästik tööriista seiskamiseks.

► **Joon.16:** 1. Lüliti päästik 2. Lukust avamise nupp

TÄHELEPANU: Ärge tõmmake lüliti päästikut tugevasti ilma lahtilukustusnupu vajutamata. See võib põhjustada lüliti purunemist.

KOKKUPANEK

⚠ETTEVAATUST: Kandke alati hoolt selle eest, et tööriist oleks enne igasuguseid hooldustöid välja lülitatud ja akukassett eemaldatud.

Ketassaetera eemaldamine või paigaldamine

⚠ETTEVAATUST: Ketassaetera peab olema paigaldatud sellisel, et hambad on suunatud tööriista esiosas üles.

⚠ETTEVAATUST: Kasutage ketassaetera paigaldamiseks ja eemaldamiseks ainult Makita mutrivõtit.

Ketassaetera eemaldamiseks vajutage võlliuk lõpuni alla, et ketassaetera ei saaks pöördelda, ning keerake kuuskantpolt mutrivõtme abil päripäeva lahti. Seejärel eemaldage kuuskantpolt, rõngas (riigispetsiifiline), välisäärik ja ketassaetera.

► **Joon.17:** 1. Võlliuk 2. Mutrivõti

Rõngata tööriist

► **Joon.18:** 1. Kuuskantpolt 2. Välisäärik
3. Ketassaetera 4. Siseäärik

Rõngaga tööriist

► **Joon.19:** 1. Kuuskantpolt 2. Välisäärik
3. Ketassaetera 4. Rõngas 5. Siseäärik

Ketassaetera paigaldamiseks järgige eemaldamise protseduuri vastupidises järjekorras.

Tööriistale, mille siseäärik sobib muu kui 15,88 mm ava läbimõõduga saeteraga

Siseäärikul on ühel küljel kindla läbimõõduga eend ning teisel küljel teistsuguse läbimõõduga eend. Valige õige eendiga pool, mis sobib täpselt saetera avasse. Paigaldage siseäärik paigaldusvõlile nii, et siseääriku õige eendipoollega külg jääks väljapoole, ning paigaldage siis saetera ja välisäärik.

► **Joon.20:** 1. Paigaldusvõll 2. Siseäärik
3. Ketassaetera 4. Välisäärik
5. Kuuskantpolt

⚠HOIATUS: KEERAKE KUUSKANTPOLT KINDLASTI KORRALIKULT VASTUPÄEVA KINNI.

Samas jälgige, et te polti liiga suure jõuga ei pingutaks. Käte libisemine kuuskantvõtmelt võib põhjustada vigastusi.

⚠HOIATUS: Veenduge, et siseääriku eend „a”, mis asetseb suunaga väljapoole, sobiks täpselt saetera avasse „a”. Tera paigaldamine valele küljele võib põhjustada ohtlikku vibratsiooni.

Tööriistale, mille siseäärrik sobib 15,88 mm ava läbimõõduga saeteraga (riigispetsiifiline)

Paigaldage siseäärrik paigaldusvõllile, suunates taanduva osa väljapoole, ja asetage siis paika saetera (vajaduse korral kinnitatud rõngaga), välisäärrik ja kuuskantpolt.

Rõngata tööriist

- **Joon.21:** 1. Paigaldusvõll 2. Siseäärrik
3. Ketassaetera 4. Välisäärrik
5. Kuuskantpolt

Rõngaga tööriist

- **Joon.22:** 1. Paigaldusvõll 2. Siseäärrik
3. Ketassaetera 4. Välisäärrik
5. Kuuskantpolt 6. Rõngas

⚠HOIATUS: KEERAKE KUUSKANTPOLT KINDLASTI KORRALIKULT VASTUPÄEVA KINNI. Samas jälgige, et te polti liiga suure jõuga ei pingutaks. Käe libisemine kuuskantvõtmelt võib põhjustada vigastusi.

⚠HOIATUS: Kui tera spindlile kinnitamiseks on vajalik rõngas, veenduge alati, et sise- ja välisäärriku vahele oleks paigaldatud kasutatava tera völliavaga kokkusobiv rõngas. Vale völliava rõnga kasutamine võib kaasa tuua tera vale paigalduse, mis põhjustab saetera lengerdamist ja tugevat vibratsiooni, mis võib omakorda põhjustada kontrolli kaotust tööriista üle ning raskeid kehavigastusi.

Terakaitse puhastamine

Ketassaetera vahetamisel puhastage kindlasti ka ülemine ja alumine lõiketera kaitsepiire neile kogunenud saepurust, nagu on kirjeldatud peatükis „Hooldus”. See ei tähenda, et võiks loobuda alumise kaitsepiirde töökorrast oleku kontrollimisest enne iga kasutuskorda.

Tolmuimeja ühendamine

MÄRKUS: Mõnes riigis puudub tööriistal tolmuotsak.

Kui soovite puhtamalt lõigata, ühendage tööriista külge Makita tolmuimeja.

- **Joon.23:** 1. Kummist kork

- **Joon.24:** 1. Kummist kork 2. Tolmuimeja 3. Voolik

Eemaldage tolmuotsakult kummist kork ja ühendage tolmuimeja voolik nii, nagu on joonisel näidatud.

MÄRKUS: Selleks et kummist kork kaotsi ei läheks, hoidke seda tööriista esiosal.

MÄRKUS: Kui te tolmuimejat ei kasuta, kinnitage kummist kork tolmuotsakule.

TÖÖRIISTA KASUTAMINE

⚠ETTEVAATUST: Liigutage tööriista kindlasti ettevaatlikult sirgjooneliselt ettepoole. Tööriistale surve avaldamisel või selle väänamisel kuumeneb mootor üle ja tekib ohtlik tagasilöökk, mis võib põhjustada tõsiseid vigastusi.

MÄRKUS: Kui akukasseti temperatuur on madal, ei pruugi tööriist töötada täisvõimsusel. Sellisel juhul kasutage tööriista mõnda aega näiteks kergemal režiimil lõikamiseks, kuni akukassett soojeneb toatemperatuurini. Pärast seda saab tööriist töötada täisvõimsusel.

► Joon.25

Hoidke tööriistast kindlalt kinni. Sael on nii eesmine kui ka tagumine käepide. Kasutage mõlemat, et tööriista parimal moel hoida. Kui hoiate saagi mõlema käega, ei saa ketassaetera neisse lõigata. Asetage saeraam töödeldava esemele nii, et ketassaetera seda ei puudutaks. Siis lülitage saag sisse ja oodake, kuni ketassaetera saavutab täiskirguse. Nüüd lihtsalt lükake saagi sujuvalt ettepoole üle töödeldava eseme pinna, hoides tööriista vastu eseme pinda. Puhastage saamiseks hoidke saejoont sirgena ja töökiirust ühtlasena. Kui lõige ei järgi planeeritud lõikejoont täpselt, ärge proovige seda pöörata ja ärge suruge tööriista lõikejoonele tagasi. Kui te nii teete, võib ketassaetera kinni kiiluda ja tekitada ohtlikku tagasilööki ning tõsiseid kehavigastusi. Vabastage lüliti ja oodake, kuni ketassaetera seisma jääb, ning siis eemaldage saag. Reastage tööriist uuele lõikejoonele ja hakake uuesti lõikama. Püüdke vältida asetust, mis jätab operaatori saest paiskuvate laastude ja saepuru eest kaitsetuks. Kasutage silmakaitset, et vigastusi vältida.

Konks

⚠ETTEVAATUST: Eemaldage alati aku tööriistast, kui tööriista konksuga üles riputate.

⚠ETTEVAATUST: Ärge riputage tööriista konksuga kunagi kõrgele aega pindadele, kus see võib kaotada tasakaalu ja kukkuda.

⚠ETTEVAATUST: Ärge tõmmake konksul ripuvat tööriista allapoole.

Konksu abil saate mugavalt tööriista ajutiselt üles riputada. Konksu kasutamiseks tõstke see lihtsalt üles, kuni see klõpsatab avatud asendisse.

Kui konks pole kasutusel, lükake see alati alla, et see klõpsataks kinnisesse asendisse.

- **Joon.26:** 1. Konks

- **Joon.27**

Piire (juhtjoonlaud)

Valikuline tarvik

Käepärane piire võimaldab teha eriti täpseid ja sirgeid lõikeid. Libistage lihtsalt piire tihedalt vastu töödeldava detaili külge üles ja kinnitage see aluse esiosas oleva kruviga kohale. Samuti võimaldab see ühesuguse laiusega korduslõigete tegemist.

- **Joon.28:** 1. Piire (juhtjoonlaud) 2. Kinnituskruvi

Kinnitusrihm (kinnitusosaga)

⚠Spetsiaalsed ohutusjuhised kõrguses kasutamiseks

Luige kõik ohutusohiatused ja juhtnõõrid läbi. Hoiatuste ja juhtnõõride eiramine võib lõppeda tõsise kehavigastusega.

1. Kõrgustes töötamise ajal hoidke tööriista kinnitusrihma abil kinni. Kinnitusrihma max pikkus 2 m (6,5 jalga).
 2. Kasutage ainult tööriista tüübi jaoks sobivat kinnitusrihma, mis on mõeldud vähemalt 6,5 kg (14,4 naela) jaoks.
 3. Ärge kinnitage tööriista kinnitusrihma oma keha ega liikuvate osade külge. Kinnitage tööriista kinnitusrihm jäiga konstruktsiooni külge, mis suudab vastu pidada kukkuvat tööriista jõududele.
 4. Enne kasutamist veenduge, et kinnitusrihm oleks mõlemast otsast kindlalt kinnitatud.
 5. Enne iga kasutamist kontrollige tööriista ja kinnitusrihma, et poleks kahjustusi ja kõik toimiks nõuetekohaselt (sh riie ja õmblused). Ärge kasutage, kui need on kahjustatud või ei tööta korralikult.
 6. Ärge siduge kinnitusrihma ümber teravate või töötlemata servadega esemete ega laske neil kokku puutuda.
 7. Kinnitage kinnitusrihma teine ots väljaspool tööpiirkonda nii, et kukkuv tööriis jääks rihma külge rippuma.
 8. Kinnitage kinnitusrihm nii, et kukkuv tööriist liiguks kasutajast eemale. Mahakukkunud tööriistad jäävad kinnitusrihma külge õõtsuma ja see võib põhjustada vigastusi või tasakaalu kadu.
 9. Ärge kasutage liikuvate osade ega töötavate masinate lähedal. Muidu võib tekkida kokkupõrke- või takerdumisoht.
 10. Ärge hoidke tööriista kandes kinni lisaseadisest ega kinnitusrihmast.
 11. Kandke tööriista oma käte vahel ainult siis, kui olete korralikult tasakaalustatud.
 12. Ärge ühendage tööriista kinnitusrihmaga viisil, kus kaitsepiirdeid, lülitid või lukustusseadmed ei saa korralikult toimida.
 13. Vältige kinnitusrihma sisse takerdumist.
 14. Hoidke kinnitusrihm tööriista löikepiirkonnast eemal.
 15. Kasutage mitmetoimelisi ja lukustatavaid karabiine. Ärge kasutage ühetoimelisi vabakäiguga karabiine.
 16. Kui tööriist kukub maha, tuleb see märgistada ja kasutusest kõrvaldama ning seda peaks laskma kontrollida kas Makita tehases või volitatud hoolduskeskuses.
- **Joon.29:** 1. Kinnitusrihma ava (kinnitusosaga)

HOOLDUS

⚠ETTEVAATUST: Enne kontrolli- või hooldustoimingute tegemist kandke alati hoolt selle eest, et tööriist oleks välja lülitatud ja akukassett korpuse küljest eemaldatud.

⚠ETTEVAATUST: Puhastage ülemisi ja alumisi kaitsepiirdeid neile kogunenud saepurust, mis võib takistada alumise kaitseüsteemi toimimist. Määratud kaitseüsteem võib piirata nõuetekohast talitlust, mille tagajärjeks võib olla tõsine kehavigastus. Kõige tõhusam on kasutada puhastamiseks suruõhku. Tolmu väljapuhumisel kaitsepiiretest kasutage kindlasti nõuetekohaseid silmade ja hingamisteede kaitsevahendeid.

⚠TÄHELEPANU: Ärge kunagi kasutage bensiini, vedeldit, alkoholi ega midagi muud sarnast. Selle tulemuseks võib olla luitumine, deformatsioon või pragunemine.

0°-löike täpsuse reguleerimine

See on tehases reguleeritud. Kui see on vale, saate seda reguleerida järgneva protseduuri eeskujul.

1. Lõdvendage pisut kaldserva skaalaplaadil olevat hooba.
 2. Seadke kolmnurkjoonlauda või nurgikut kasutades ja reguleerimispoliti keerates alus tera suhtes risti.
- **Joon.30:** 1. Kolmnurkjoonlaud 2. Reguleerimispoliti
3. Pingutage hooba ja tehke vertikaalsuse kontrollimiseks proovilöige.

Toote OHUTUSE ja TÖÖKINDLUSE tagamiseks tuleb vajalikud remonttööd ning muud hooldus- ja reguleerimistööd lasta teha Makita volitatud teeninduskeskustes või tehase teeninduskeskustes. Alati tuleb kasutada Makita varuosi.

VALIKULISED TARVIKUD

⚠ETTEVAATUST: Neid tarvikuid ja lisaseadiseid on soovitatav kasutada koos Makita tööriistaga, mille kasutamist selles kasutusjuhendis kirjeldatakse. Muude tarvikute ja liseseadiste kasutamiseks kaasneb vigastada saamise oht. Kasutage tarvikuid ja liseseadiseid ainult otstarbekohaselt.

Saate vajaduse korral kohalikust Makita teeninduskeskusest lisateavet nende tarvikute kohta.

- Ketassaatera
- Mutrivõti
- Piire (juhtjoonlaud)
- Makita algupärane aku ja laadija

MÄRKUS: Mõned nimekirjas loetletud tarvikud võivad kuuluda standardvarustusse ning need on lisatud tööriista pakendisse. Need võivad riigiti erineda.

ТЕХНИЧЕСКИЕ ХАРАКТЕРИСТИКИ

Модель:		DRS780
Диаметр диска		185 мм
Макс. глубина пропила	при 0°	65 мм
	угол скоса 45°	45 мм
	угол скоса 53°	38 мм
Число оборотов без нагрузки		5100 мин ⁻¹
Общая длина		446 мм
Номинальное напряжение		36 В пост. тока
Масса нетто		5,0 - 5,7 кг

- Благодаря нашей постоянно действующей программе исследований и разработок указанные здесь технические характеристики могут быть изменены без предварительного уведомления.
- Технические характеристики могут различаться в зависимости от страны.
- Масса может отличаться в зависимости от дополнительного оборудования. Обратите внимание, что блок аккумулятора также считается дополнительным оборудованием. В таблице представлены комбинации с наибольшим и наименьшим весом в соответствии с процедурой EPTA 01/2014.

Подходящий блок аккумулятора и зарядное устройство

Блок аккумулятора	BL1815N / BL1820 / BL1820B / BL1830 / BL1830B / BL1840 / BL1840B / BL1850 / BL1850B / BL1860B
Зарядное устройство	DC18RC / DC18RD / DC18RE / DC18SD / DC18SE / DC18SF

- В зависимости от региона проживания некоторые блоки аккумуляторов и зарядные устройства, перечисленные выше, могут быть недоступны.

⚠ОСТОРОЖНО: Используйте только перечисленные выше блоки аккумуляторов и зарядные устройства. Использование других блоков аккумуляторов и зарядных устройств может привести к травме и/или пожару.

Назначение

Данный инструмент предназначен для прямолинейного продольного и поперечного пиления, а также для пиления древесины под углом при наличии надежного контакта с распиливаемой деталью.

Шум

Типичный уровень взвешенного звукового давления (A), измеренный в соответствии с EN62841-2-5:
 Уровень звукового давления (L_{pA}): 92 дБ (A)
 Уровень звуковой мощности (L_{WA}): 103 дБ (A)
 Погрешность (K): 3 дБ (A)

ПРИМЕЧАНИЕ: Заявленное значение распространения шума измерено в соответствии со стандартной методикой испытаний и может быть использовано для сравнения инструментов.

ПРИМЕЧАНИЕ: Заявленное значение распространения шума можно также использовать для предварительных оценок воздействия.

⚠ОСТОРОЖНО: Используйте средства защиты слуха.

⚠ОСТОРОЖНО: Распространение шума во время фактического использования электроинструмента может отличаться от заявленного значения в зависимости от способа применения инструмента и в особенности от типа обрабатываемой детали.

⚠ОСТОРОЖНО: Обязательно определите меры безопасности для защиты оператора, основанные на оценке воздействия в реальных условиях использования (с учетом всех этапов рабочего цикла, таких как выключение инструмента, работа без нагрузки и включение).

Вибрация

Суммарное значение вибрации (сумма векторов по трем осям), определенное в соответствии с EN62841-2-5:
 Рабочий режим: распиливание древесины
 Распространение вибрации ($a_{h,w}$): 2,5 м/с² или менее
 Погрешность (K): 1,5 м/с²

ПРИМЕЧАНИЕ: Заявленное общее значение распространения вибрации измерено в соответствии со стандартной методикой испытаний и может быть использовано для сравнения инструментов.

ПРИМЕЧАНИЕ: Заявленное общее значение распространения вибрации можно также использовать для предварительных оценок воздействия.

⚠ОСТОРОЖНО: Распространение вибрации во время фактического использования электроинструмента может отличаться от заявленного значения в зависимости от способа применения инструмента и в особенности от типа обрабатываемой детали.

⚠ОСТОРОЖНО: Обязательно определите меры безопасности для защиты оператора, основанные на оценке воздействия в реальных условиях использования (с учетом всех этапов рабочего цикла, таких как выключение инструмента, работа без нагрузки и включение).

Декларация о соответствии ЕС

Только для европейских стран

Декларация о соответствии ЕС включена в руководство по эксплуатации (Приложение А).

МЕРЫ БЕЗОПАСНОСТИ

Общие рекомендации по технике безопасности для электроинструментов

⚠ОСТОРОЖНО: Ознакомьтесь со всеми представленными инструкциями по технике безопасности, указаниями, иллюстрациями и техническими характеристиками, прилагаемыми к данному электроинструменту. Несоблюдение каких-либо инструкций, указанных ниже, может привести к поражению электрическим током, пожару и/или серьезной травме.

Сохраните брошюру с инструкциями и рекомендациями для дальнейшего использования.

Термин "электроинструмент" в предупреждениях относится ко всему инструменту, работающему от сети (с проводом) или на аккумуляторах (без провода).

Правила техники безопасности при эксплуатации аккумуляторной циркулярной пилы

Процедуры резки

- ⚠ОПАСНО:** Держите руки на расстоянии от места распила и пилы. Держите вторую руку на дополнительной ручке или корпусе двигателя. Удержание инструмента обеими руками позволит избежать попадания рук диск пилы.

2. **Не наклоняйтесь под обрабатываемую деталь.** Защитный кожух не защитит вас от диска под обрабатываемой деталью.
3. **Отрегулируйте глубину распила в соответствии с толщиной детали.** Под распиливаемой деталью должен быть виден почти весь зуб пилы.
4. **Запрещается держать деталь руками и ставить ее поперек ноги во время работы. Закрепите обрабатываемую деталь на устойчивом основании.** Важно обеспечить правильную фиксацию детали для снижения до минимума риска получения травм, заклинивания диска или потери контроля.

► Рис.1

5. **Если при выполнении работ существует риск контакта режущего инструмента со скрытой электропроводкой, держите электроинструмент за специально предназначенные изолированные поверхности.** Контакт с проводом под напряжением приведет к тому, что металлические детали инструмента также будут под напряжением, что может стать причиной поражения оператора электрическим током.
6. **Обязательно используйте направляющей планкой или направляющей с прямым краем при продольной распиловке.** Это повышает точность распила и снижает риск изгиба диска.
7. **Обязательно используйте диски соответствующего размера и формы отверстий для оправки (ромбовидные или круглые).** Диски с несоответствующим креплением будут работать эксцентрически, что приведет к потере контроля над инструментом.
8. **Запрещается использовать поврежденные или несоответствующие пиле шайбы или болт крепления.** Шайбы и болт крепления диска были специально разработаны для данной пилы с целью обеспечения оптимальных эксплуатационных характеристик и безопасности работы.

Причины отдачи и соответствующие предупреждения

- отдача - это мгновенная реакция на защемление, застревание или нарушение соосности пильного диска, приводящая к неконтролируемому подъему пилы и ее движению из детали по направлению к оператору;
 - если диск зажат или жестко ограничивается пропилом снизу, он прекратит вращаться, и реакция двигателя приведет к тому, что инструмент начнет быстро двигаться в сторону оператора;
 - если диск становится изогнутым или неправильно ориентированным в распиле, зубья на задней стороне диска могут цепляться за верхнюю поверхность распиливаемой древесины, что приведет к выскакиванию диска из пропила и его движению в сторону оператора.
- Отдача - это результат неправильного использования пилы и/или неправильных процедур или условий эксплуатации. Ее можно избежать, соблюдая меры предосторожности, указанные ниже.

1. **Крепко держите пилу обеими руками и располагайте руки так, чтобы они могли справиться с отдачей.** Располагайтесь с боковой стороны циркулярной пилы, а не на одной линии с ней. Отдача может привести к отскакиванию дисковой пилы назад, однако силы отдачи могут контролироваться оператором при условии соблюдения соответствующих мер предосторожности.

2. При изгибании пилы или прекращении пиления по какой-либо причине отпустите триггерный переключатель и держите пилу без ее перемещения в детали до полной остановки вращения диска. Не пытайтесь вытащить пилу из распиливаемой детали или потянуть пилу назад, когда пила продолжает вращаться. Это может привести к отдаче. Проверьте и выполните действия по устранению причины заклинивания диска.
3. При повторном включении пилы, когда она находится в детали, отцентрируйте пильный диск в пропилен так, чтобы зубья пилы не касались распиливаемой детали. Если пильный диск изогнется, пила может приподняться или возникнет обратная отдача при повторном запуске пилы.
4. Поддерживайте большие панели для снижения риска заклинивания и отдачи диска. Большие панели провисают под собственным весом. Опоры необходимо располагать под панелью с обеих сторон, около линии распила и около края панели.

► Рис.2

► Рис.3

5. Не используйте тупые или поврежденные диски. Незаточенные или неправильно установленные диски приведут к узкому распилу, что вызовет чрезмерное трение, заклинивание диска и отдачу.
6. Перед резкой необходимо крепко затянуть блокирующие рычаги глубины распила и регулировки скоса. Если при резке регулировка диска нарушится, это может привести к заклиниванию диска и возникновению отдачи.
7. Будьте особенно осторожны при распиливании уже имеющихся стен или иных поверхностей, недоступных для осмотра. Выступающий диск пилы может столкнуться с предметами, которые могут вызвать отдачу инструмента.
8. **ВСЕГДА** держите инструмент крепко обеими руками. **НИКОГДА** не помещайте свои руки, ноги или иные части тела под основание инструмента или позади пилы, особенно при выполнении поперечных распилов. В случае отдачи пила может легко отскочить назад на вашу руку, что приведет к серьезной травме.

► Рис.4

9. Никогда не прилагайте повышенных усилий к пиле. Двигайте пилу вперед со скоростью, которая позволяет дисковой пиле пилить без снижения скорости. Приложение повышенных усилий к дисковой пиле может привести к неравномерному распилу, снижению точности и возможной отдаче.

Функционирование ограждения

1. Перед каждым использованием убеждайтесь в том, что нижний защитный кожух надежно закрыт. Не эксплуатируйте пилу, если нижний защитный кожух не перемещается свободно и мгновенно не закрывается. Запрещается фиксировать нижний защитный кожух в открытом положении каким бы то ни было способом. При случайном падении пилы кожух может погнуться. Поднимите нижний защитный кожух при помощи ручки подъема и убедитесь в его свободном перемещении и в том, что он не касается пилы или других деталей при любом угле и глубине распила.

2. Проверьте работу пружины нижнего защитного кожуха. Если щиток и пружина не работают надлежащим образом, их необходимо отремонтировать перед использованием пилы. Нижний защитный кожух может работать медленно из-за поврежденных деталей, отложения смол или скопления мусора.
3. Нижний защитный кожух можно поднимать вручную только при специальных распилах, таких как "врезание" или "комплексная резка". Поднимите нижний кожух, отодвинув рукоятку назад; как только диск войдет в материал, нижний защитный кожух обязательно нужно вернуть на место. При осуществлении любых других распилов нижний защитный кожух должен работать автоматически.
4. Перед тем как положить пилу на верстак или на пол, обязательно убедитесь, что нижний защитный кожух закрывает режущий диск. Незащищенный, вращающийся по инерции диск пилы может непреднамеренно двинуться назад, распиливая все, что попадет на пути. Помните о времени, необходимом для полной остановки пилы после отпускания выключателя.
5. Для проверки нижнего кожуха вручную откройте нижний защитный кожух, затем отпустите и убедитесь, что он закрылся. Также убедитесь в том, что убирающаяся ручка не касается корпуса. Открытая пила **ОЧЕНЬ ОПАСНА** и может привести к серьезной травме.

Дополнительные предупреждения о безопасности

1. Будьте особенно осторожны при распиливании сырой, прессованной или сучковатой древесины. Сохраняйте постоянную скорость подачи без снижения оборотов диска, чтобы избежать перегрева кромок диска.
2. Не пытайтесь убирать отрезанные детали при вращении диска. Перед удалением распиленных деталей дождитесь полной остановки пилы. После выключения диск будет вращаться еще некоторое время.
3. Избегайте попадания режущего инструмента на гвозди. Перед распиливанием осмотрите деталь и удалите из нее все гвозди.
4. Устанавливайте более широкую часть основания пилы на ту часть обрабатываемой детали, которая имеет хорошую опору, а не на ту часть, которая упадет после отпиливания. Если распиливаемая деталь короткая или маленькая, ее необходимо закрепить. **НЕ ПЫТАЙТЕСЬ УДЕРЖИВАТЬ КОРОТКИЕ ДЕТАЛИ РУКОЙ!**

► Рис.5

5. Перед размещением пилы после завершения распила убедитесь, что нижний защитный кожух закрылся и пила полностью прекратила вращаться.
6. Никогда не пытайтесь осуществлять распиливание, закрепив циркулярную пилу в перевернутом виде. Это очень опасно и может привести к серьезным травмам.

► Рис.6

7. Некоторые материалы могут содержать токсичные химические вещества. Примите соответствующие меры предосторожности, чтобы избежать вдыхания или контакта с кожей таких веществ. Соблюдайте требования, указанные в паспорте безопасности материала.
8. Не пытайтесь остановить пилу путем бокового давления на пильный диск.
9. Не используйте абразивные круги.

10. Разрешается использовать только пильные диски с диаметром, соответствующим указанному на инструменте или в руководстве. Применение диска неверного размера может препятствовать надлежащей защите диска или мешать работе защитного кожуха, что, в свою очередь, может стать причиной серьезных травм.
11. Пилы должны быть острыми и чистыми. Смола и древесный пек, затвердевшие на пильных дисках, снижают производительность пилы и повышают потенциальный риск отдачи. Содержите пилу в чистоте. Для этого снимите ее с инструмента и очистите растворителем смолы и древесного пека, горячей водой или керосином. Запрещается использовать бензин.
12. При использовании инструмента надевайте пылезащитную маску и используйте средства защиты слуха.
13. Используйте пильные диски, соответствующие материалу заготовки.
14. Используйте только пильные диски, маркировка максимальной скорости которых равна или выше скорости, указанной на инструменте.
15. (Только для европейских стран)
Используйте диски, соответствующие EN847-1.

СОХРАНИТЕ ДАННЫЕ ИНСТРУКЦИИ.

⚠ОСТОРОЖНО: НЕ ДОПУСКАЙТЕ, чтобы удобство или опыт эксплуатации данного устройства (полученный от многократного использования) доминировали над строгим соблюдением правил техники безопасности при обращении с этим устройством. **НЕПРАВИЛЬНОЕ ИСПОЛЬЗОВАНИЕ** инструмента или несоблюдение правил техники безопасности, указанных в данном руководстве, может привести к тяжелой травме.

Важные правила техники безопасности для работы с аккумуляторным блоком

1. Перед использованием аккумуляторного блока прочитайте все инструкции и предупреждающие надписи на (1) зарядном устройстве, (2) аккумуляторном блоке и (3) инструменте, работающем от аккумуляторного блока.
2. Не разбирайте аккумуляторный блок.
3. Если время работы аккумуляторного блока значительно сократилось, немедленно прекратите работу. В противном случае, может возникнуть перегрев блока, что приведет к ожогам и даже к взрыву.
4. В случае попадания электролита в глаза промойте их обильным количеством чистой воды и немедленно обратитесь к врачу. Это может привести к потере зрения.
5. Не замыкайте контакты аккумуляторного блока между собой:
 - (1) Не прикасайтесь к контактам какими-либо токопроводящими предметами.
 - (2) Не храните аккумуляторный блок в контейнере вместе с другими металлическими предметами, такими как гвозди, монеты и т. п.
 - (3) Не допускайте попадания на аккумуляторный блок воды или дождя.

6. Замыкание контактов аккумуляторного блока между собой может привести к возникновению большого тока, перегреву, возможному ожогу и даже поломке блока.
6. Не храните инструмент и аккумуляторный блок в местах, где температура может достигать или превышать 50 °C (122 °F).
7. Не бросайте аккумуляторный блок в огонь, даже если он сильно поврежден или полностью вышел из строя. Аккумуляторный блок может взорваться под действием огня.
8. Не роняйте и не ударяйте аккумуляторный блок.
9. Не используйте поврежденный аккумуляторный блок.
10. Входящие в комплект литий-ионные аккумуляторы должны эксплуатироваться в соответствии с требованиями законодательства об опасных товарах. При коммерческой транспортировке, например, третьей стороной или экспедитором, необходимо нанести на упаковку специальные предупреждения и маркировку.
В процессе подготовки устройства к отправке обязательно проконсультируйтесь со специалистом по опасным материалам. Также соблюдайте местные требования и нормы. Они могут быть строже. Закройте или закрепите разомкнутые контакты и упакуйте аккумулятор так, чтобы он не перемещался по упаковке.
11. Выполняйте требования местного законодательства относительно утилизации аккумуляторного блока.
12. Используйте аккумуляторы только с продукцией, указанной Makita. Установка аккумуляторов на продукцию, не соответствующую требованиям, может привести к пожару, перегреву, взрыву или утечке электролита.

СОХРАНИТЕ ДАННЫЕ ИНСТРУКЦИИ.

⚠ВНИМАНИЕ: Используйте только фирменные аккумуляторные батареи Makita. Использование аккумуляторных батарей, не произведенных Makita, или батарей, которые были подвергнуты модификациям, может привести к взрыву аккумулятора, пожару, травмам и повреждению имущества. Это также автоматически аннулирует гарантию Makita на инструмент и зарядное устройство Makita.

Советы по обеспечению максимального срока службы аккумулятора

1. Зарядите блок аккумуляторов перед его полной разрядкой. Обязательно прекратите работу с инструментом и зарядите блок аккумуляторов, если вы заметили снижение мощности инструмента.
2. Никогда не подзаряжайте полностью заряженный блок аккумуляторов. Перезарядка сокращает срок службы аккумулятора.
3. Заряжайте блок аккумуляторов при комнатной температуре в 10 - 40 °C (50 - 104 °F). Перед зарядкой горячего блока аккумуляторов дайте ему остыть.
4. Зарядите ионно-литиевый аккумуляторный блок, если вы не будете пользоваться инструментом длительное время (более шести месяцев).

ОПИСАНИЕ РАБОТЫ

▲ ВНИМАНИЕ: Перед регулировкой или проверкой функций инструмента обязательно убедитесь, что он выключен и его аккумуляторный блок снят.

Установка или снятие блока аккумуляторов

▲ ВНИМАНИЕ: Обязательно выключайте инструмент перед установкой и извлечением аккумуляторного блока.

▲ ВНИМАНИЕ: При установке и извлечении аккумуляторного блока крепко удерживайте инструмент и аккумуляторный блок. Если не соблюдать это требование, они могут выскользнуть из рук, что приведет к повреждению инструмента, аккумуляторного блока и травмированию оператора.

▲ ВНИМАНИЕ: При установке/снятии аккумулятора всегда опускайте основание. Будьте осторожны, чтобы не защемить пальцы.

▲ ВНИМАНИЕ: Не используйте для дисковой пилы переходник зарядного устройства. Кабель переходника зарядного устройства может помешать работе, что может повлечь за собой травму.

► Рис.7: 1. Рычаг 2. Крючок 3. Красный индикатор 4. Кнопка 5. Блок аккумулятора

Перед снятием блока аккумулятора поднимите крючок и ослабьте рычаг регулировки глубины, чтобы опустить основание инструмента. Затем плавно снимите аккумулятор с инструмента, удерживая нажатой кнопку на лицевой стороне, и извлеките блок.

Для установки аккумуляторного блока совместите выступ аккумуляторного блока с пазом в корпусе и задвиньте его на место. Устанавливайте блок до упора так, чтобы он зафиксировался на месте с небольшим щелчком. Если вы можете видеть красный индикатор на верхней части клавиши, адаптер аккумулятора не полностью установлен на месте.

▲ ВНИМАНИЕ: Обязательно устанавливайте аккумуляторный блок до конца, чтобы красный индикатор не был виден. В противном случае аккумуляторный блок может выпасть из инструмента и нанести травму вам или другим людям.

▲ ВНИМАНИЕ: Не прилагайте чрезмерных усилий при установке аккумуляторного блока. Если блок не двигается свободно, значит он вставлен неправильно.

ПРИМЕЧАНИЕ: Инструмент не будет работать с одним блоком аккумулятора.

Система защиты инструмента/аккумулятора

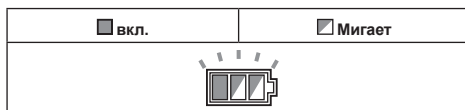
На инструменте предусмотрена система защиты инструмента/аккумулятора. Она автоматически отключает питание двигателя для продления срока службы инструмента и аккумулятора. Инструмент автоматически остановится во время работы при возникновении указанных ниже ситуаций. В некоторых ситуациях загораются индикаторы.

Защита от перегрузки

Если из-за способа эксплуатации инструмент потребляет очень большое количество тока, произойдет автоматический останов. В этом случае выключите инструмент и прекратите работу, повлекшую перегрузку инструмента. Затем включите инструмент для перезапуска.

Защита от перегрева

При перегреве инструмент автоматически останавливается, а индикатор аккумулятора мигает около 60 секунд. В таком случае дайте инструменту остыть перед повторным включением.



Предупреждение о перегрузке

Если инструмент работает с чрезмерной нагрузкой, индикатор режима загорится зеленым. После снижения нагрузки индикатор режима перестанет мигать и будет гореть непрерывно или выключится.

► Рис.8: 1. Индикатор режима

Защита от переразрядки

При истощении заряда аккумулятора инструмент автоматически останавливается. Если устройство не работает даже после нажатия переключателей, снимите аккумуляторы с инструмента и зарядите их.

Индикация оставшегося заряда аккумулятора

► Рис.9: 1. Индикатор аккумулятора 2. Кнопка проверки

Нажмите кнопку проверки для проверки заряда аккумулятора. Индикаторы соответствуют каждому аккумулятору.

Состояние индикатора аккумуляторной батареи			Уровень заряда аккумулятора
Вкл.	Выкл.	Мигает	
			от 50% до 100%
			от 20% до 50%
			от 0% до 20%
			Зарядите аккумулятор

Индикация оставшегося заряда аккумулятора

Только для блоков аккумулятора с индикатором

► Рис.10: 1. Индикаторы 2. Кнопка проверки

Нажмите кнопку проверки на аккумуляторном блоке для проверки заряда. Индикаторы загорятся на несколько секунд.

Индикаторы			Уровень заряда
Горит	Выкл.	Мигает	
■	□	▣	от 75 до 100%
■	■	■	от 50 до 75%
■	■	□	от 25 до 50%
■	□	□	от 0 до 25%
▣	□	□	Зарядите аккумуляторную батарею.
■	■	□	Возможно, аккумуляторная батарея неисправна.
□	□	■	

ПРИМЕЧАНИЕ: В зависимости от условий эксплуатации и температуры окружающего воздуха индикация может незначительно отличаться от фактического значения.

Функция автоматического изменения скорости

В данном инструменте предусмотрен "режим высокой скорости" и "режим высокого крутящего момента".

Инструмент автоматически меняет режим работы в зависимости от нагрузки. При малой рабочей нагрузке инструмент будет работать в высокоскоростном режиме для более быстрого резания. При высокой рабочей нагрузке инструмент будет работать в режиме высокого крутящего момента для более мощного резания.

► Рис.11: 1. Индикатор режима

Индикатор режима включается, когда инструмент находится в режиме высокого крутящего момента.

Состояние индикатора режима		Режим работы
● Вкл	○ Выкл	
○	○	Режим высокой скорости
●	○	Режим высокого крутящего момента

Регулировка глубины пропила

▲ВНИМАНИЕ: После регулировки глубины реза всегда крепко затягивайте рычаг.

Ослабьте рычаг на направляющей глубины и переместите основание вверх или вниз. Установив необходимую глубину реза, закрепите основание путем затяжки рычага. Для чистого и безопасного распиливания установите глубину пропила так, чтобы под распиливаемой деталью дисковая пила выступала не более чем на один зуб.

Установка надлежащей глубины пропила снижает вероятность опасной ОТДАЧИ, которая может причинить травму.

► Рис.12: 1. Рычаг

Резка под углом

▲ВНИМАНИЕ: После установки угла резки надежно затягивайте рычаг.

Ослабьте рычаг и установите необходимый угол, для чего наклоните основание соответствующим образом, а затем надежно затяните рычаг.

► Рис.13: 1. Рычаг

Упор-ограничитель

Упор-ограничитель позволяет быстро задать необходимый угол. Поверните упор-ограничитель таким образом, чтобы стрелка на нем указывала на необходимый угол (22,5°/45°/53°). Ослабьте рычаг и наклоняйте основание инструмента до остановки. Положение, в котором остановится основание, и есть угол установки упора-ограничителя. Затяните рычаг, когда основание инструмента находится в этом положении.

► Рис.14: 1. Упор-ограничитель

Наведение

Для прямого пропила совместите положение 0° лицевой стороны основания с вашей линией разреза. Для реза со скосом 45° совместите положение 45° с линией распиливания.

► Рис.15: 1. Линия разреза (положение 0°)
2. Линия разреза (положение 45°)

Действие выключателя

▲ОСТОРОЖНО: Перед установкой аккумуляторного блока в инструмент обязательно убедитесь, что его триггерный переключатель нормально работает и возвращается в положение "OFF" (ВЫКЛ) при отпускании.

▲ОСТОРОЖНО: ЗАПРЕЩАЕТСЯ нарушать работу кнопки разблокировки, заклеивая ее скотчем или другими способами. Выключатель с неработающей кнопкой разблокировки может стать причиной случайного включения и причинения тяжелой травмы.

▲ОСТОРОЖНО: ЗАПРЕЩАЕТСЯ использовать инструмент, когда он работает при простом нажатии на триггерный переключатель без нажатия на кнопку разблокировки. Требующий ремонта инструмент может случайно включиться и причинить тяжелую травму. Верните инструмент в сервисный центр Makita для надлежащего ремонта ДО продолжения его эксплуатации.

Для предотвращения непреднамеренного включения триггерного переключателя имеется кнопка разблокировки. Для запуска инструмента, отпустите кнопку блокировки, затем потяните триггерный переключатель. Отпустите триггерный переключатель для остановки.

► **Рис.16:** 1. Триггерный переключатель 2. Кнопка разблокировки

ПРИМЕЧАНИЕ: Не нажимайте сильно на триггерный переключатель без нажатия на кнопку разблокировки. Это может привести к поломке переключателя.

СБОРКА

ВНИМАНИЕ: Перед проведением каких-либо работ с инструментом обязательно убедитесь, что инструмент отключен, а блок аккумулятора снят.

Снятие или установка диска циркулярной пилы

ВНИМАНИЕ: Обязательно проверяйте правильность установки диска циркулярной пилы. Зубья должны смотреть вверх в передней части инструмента.

ВНИМАНИЕ: Для снятия или установки диска циркулярной пилы пользуйтесь только ключом Makita.

Для снятия диска циркулярной пилы полностью нажмите на замок вала, чтобы диск не вращался, и ослабьте шестигранный болт, повернув его ключом по часовой стрелке. Затем снимите болт с шестигранной головкой, кольцо (зависит от страны), внешний фланец и диск циркулярной пилы.

► **Рис.17:** 1. Фиксатор вала 2. Гаечный ключ

Для инструмента без кольца

► **Рис.18:** 1. Болт с шестигранной головкой
2. Наружный фланец 3. Диск циркулярной пилы 4. Внутренний фланец

Для инструмента с кольцом

► **Рис.19:** 1. Болт с шестигранной головкой
2. Наружный фланец 3. Диск циркулярной пилы 4. Кольцо 5. Внутренний фланец

Установка диска циркулярной пилы выполняется в порядке, обратном процедуре снятия.

Для инструмента с внутренним фланцем под пильный диск с отверстием, размер которого не соответствует стандарту в 15,88 мм

На одной стороне внутреннего фланца имеется выступ определенного диаметра, отличающийся от диаметра выступа на противоположной стороне. Правильно выбирайте сторону, выступ на которой точно соответствует отверстию на пильном диске. Установите внутренний фланец на вал так, чтобы правильная сторона выступа на внутреннем фланце была обращена наружу, после чего установите диск и внешний фланец.

► **Рис.20:** 1. Установочный вал 2. Внутренний фланец 3. Диск циркулярной пилы 4. Наружный фланец 5. Болт с шестигранной головкой

ОСТОРОЖНО: ХОРОШО ЗАТЯНИТЕ БОЛТ С ШЕСТИГРАННОЙ ГОЛОВКОЙ, ПОВОРАЧИВАЯ ЕГО ПРОТИВ ЧАСОВОЙ СТРЕЛКИ. Не перетягивайте болт. Соскальзывание руки с шестигранного ключа может стать причиной травмы.

ОСТОРОЖНО: Убедитесь, что наружный выступ "а" на внутреннем фланце точно входит в отверстие "а" пильного диска. Установка диска неверной стороной может привести к возникновению опасной вибрации.

Для инструмента с внутренним фланцем под пильный диск с отверстием диаметром 15,88 мм (зависит от страны)

Установите внутренний фланец на вал утопленной частью наружу, затем установите пильный диск (при необходимости – с установленным кольцом), внешний фланец и болт с шестигранной головкой.

Для инструмента без кольца

► **Рис.21:** 1. Установочный вал 2. Внутренний фланец 3. Диск циркулярной пилы 4. Наружный фланец 5. Болт с шестигранной головкой

Для инструмента с кольцом

► **Рис.22:** 1. Установочный вал 2. Внутренний фланец 3. Диск циркулярной пилы 4. Наружный фланец 5. Болт с шестигранной головкой 6. Кольцо

ОСТОРОЖНО: ХОРОШО ЗАТЯНИТЕ БОЛТ С ШЕСТИГРАННОЙ ГОЛОВКОЙ, ПОВОРАЧИВАЯ ЕГО ПРОТИВ ЧАСОВОЙ СТРЕЛКИ. Не перетягивайте болт. Соскальзывание руки с шестигранного ключа может стать причиной травмы.

ОСТОРОЖНО: Перед установкой диска на шпindelь всегда проверяйте, что между внутренним и внешним фланцами установлено кольцо с соответствующим отверстием для того диска, который вы собираетесь использовать. Использование неправильного кольца с отверстием может привести к неправильной установке диска, что вызовет его перемещение и сильную вибрацию, которая может стать причиной потери контроля над инструментом во время работы и причинения тяжелых травм.

Очистка ограждения диска

При замене диска циркулярной пилы убедитесь, что вы почистили верхнее и нижнее ограждение диска от скопившихся опилок в соответствии с инструкциями в разделе "Техническое обслуживание". Подобные меры не заменяют необходимость проверки нижнего защитного кожуха перед каждым использованием.

Подключение пылесоса

ПРИМЕЧАНИЕ: В некоторых странах инструмент не оснащается пылесборным патрубком.

При необходимости выполнения чистого резания подключите к инструменту пылесос Makita.

- **Рис.23:** 1. Резиновый колпачок
- **Рис.24:** 1. Резиновый колпачок 2. Пылесос 3. Шланг

Снимите резиновый колпачок с пылесборного патрубка и подсоедините шланг пылесоса, как показано.

ПРИМЕЧАНИЕ: Чтобы не потерять резиновый колпачок, закрепите его на передней стороне инструмента.

ПРИМЕЧАНИЕ: Когда пылесос не используется, прикрепите резиновый колпачок к пылесборному патрубку.

ЭКСПЛУАТАЦИЯ

ВНИМАНИЕ: Осторожно перемещайте инструмент вперед по прямой линии.

Применение силы или кручение инструмента приведут к перегреву двигателя и опасному отскоку, результатом чего может стать серьезная травма.

ПРИМЕЧАНИЕ: При низкой температуре блока аккумуляторов инструмент может работать не в полную мощность. В это время инструмент рекомендуется использовать для резания в легких режимах, пока блок аккумуляторов не нагреется до комнатной температуры. Затем инструмент может работать в полную мощность.

► Рис.25

Крепко держите инструмент. Инструмент снабжен передней и задней ручками. Используйте обе ручки для удержания инструмента. Если вы держите пилу обеими руками, вы исключаете риск их травмирования пильным диском. Установите основание циркулярной пилы на распиливаемую деталь так, чтобы пильный диск не касался детали. Затем включите инструмент и дождитесь набора полной скорости диска циркулярной пилы. Теперь просто перемещайте инструмент вперед по распиливаемой детали, ровно держа пилу и аккуратно подавая ее вперед до полного распиливания детали. Для чистого распиливания перемещайте инструмент вперед строго по прямой линии и с постоянной скоростью. Если при распиливании произошло отклонение от намеченной линии, не пытайтесь принудительно вернуть инструмент на линию распиливания. Это может вызвать изгиб диска циркулярной пилы и возникновение опасной отдачи, которая может привести к травме. Отпустите выключатель, дождитесь остановки диска циркулярной пилы и вытащите его из распила. Заново совместите инструмент с новой линией пропила и начните распиливание снова. Старайтесь избегать положений, при которых отбрасываемые пилой опилки и древесная пыль попадают на оператора. Во избежание получения травм используйте защитные очки.

Крючок

ВНИМАНИЕ: Обязательно извлекайте аккумуляторы при подвешивании инструмента с помощью крючка.

ВНИМАНИЕ: Не подвешивайте инструмент высоко и не оставляйте его на поверхностях, с которых он может упасть.

ВНИМАНИЕ: Не тяните подвешенный инструмент вниз.

Крючок используется для временного подвешивания инструмента. Для использования крючка просто поднимите его так, чтобы он зашелкнулся в открытом положении. Если крючок не используется, опустите его так, чтобы он зашелкнулся в закрытом положении.

- **Рис.26:** 1. Крючок

- **Рис.27**

Направляющая планка (направляющая линейка)

Дополнительные принадлежности

Удобная направляющая планка помогает вам делать исключительно точные прямые пропилы. Просто придвиньте направляющую планку к боковой поверхности обрабатываемой детали и закрепите ее в таком положении с помощью винта в передней части основания. Она позволяет также осуществлять повторное отпиливание деталей одинаковой ширины.

- **Рис.28:** 1. Направляющая планка (направляющая линейка) 2. Зажимной винт

Подсоединение стропа (страховочного ремня)

ВНИМАНИЕ: Инструкции по технике безопасности работ на высоте

Ознакомьтесь со всеми предупреждениями и инструкциями по технике безопасности. Несоблюдение требований предупреждений и инструкций может привести к серьезным травмам.

1. При выполнении работ на высоте обязательно используйте страховочный ремень для фиксации инструмента. Максимальная длина стропа составляет 2 м (6,5 фута).
2. С этим инструментом следует использовать только специальные стропы, рассчитанные на нагрузку не менее 6,5 кг (14,4 фунта).
3. Не прикрепляйте строп инструмента к элементам одежды или к подвижным деталям. Прикрепите строп инструмента к жесткой конструкции, которая может выдержать вес падающего инструмента.
4. Перед использованием убедитесь в том, что строп надежно закреплен со всех концов.
5. Проверяйте инструмент и строп перед каждым использованием на предмет исправности и отсутствия повреждений (включая состояние ткани и швов). Не используйте поврежденные или неисправные приспособления.

6. Не оборачивайте стропы вокруг предметов с острыми или зазубренными краями и не допускайте соприкосновения стропов с такими предметами.
7. Прикрепите другой конец стропа за пределами рабочей зоны таким образом, чтобы падающий инструмент надежно фиксировался.
8. Прикрепите строп таким образом, чтобы в случае падения инструмент двигался в противоположном от оператора направлении. Упавшие инструменты будут раскачиваться на стропе, что может привести к травме или потере баланса.
9. Не использовать вблизи движущихся частей или работающего оборудования. Несоблюдение этого требования может привести к механическим повреждениям или запутыванию.
10. Не переносите инструмент, держа за крепежное приспособление или строп.
11. Переключайте инструмент из одной руки в другую только находясь в устойчивом положении.
12. Прикрепляя стропы к инструменту, следите за тем, чтобы они не препятствовали нормальной работе защитных приспособлений, переключателей или рычагов блокировки.
13. Не допускайте запутывания в стропе.
14. Держите строп на расстоянии от зоны резания инструмента.
15. Используйте универсальные карабины и карабины с винтовым замком. Не используйте карабины одностороннего действия с пружинным фиксатором.
16. Если инструмент упал, его следует помечать, прекратить его эксплуатацию и отправить на завод или в авторизованный сервисный центр Makita для проверки.

► Рис.29: 1. Отверстие для стропа (страховочный ремень)

ОБСЛУЖИВАНИЕ

▲ВНИМАНИЕ: Перед проведением проверки или работ по техобслуживанию всегда проверяйте, что инструмент выключен, а блок аккумуляторов снят.

▲ВНИМАНИЕ: Очистите верхний и нижний кожухи, чтобы удалить скопившиеся опилки, так как они могут ухудшить работу нижней защитной системы. Загрязнение защитной системы может помешать ее работе и привести к тяжелым травмам. Самый эффективный способ очистки – это очистка с использованием сжатого воздуха. При удалении пыли из кожухов с помощью сжатого воздуха обязательно используйте надлежащие средства защиты органов зрения и дыхания.

ПРИМЕЧАНИЕ: Запрещается использовать бензин, растворители, спирт и другие подобные жидкости. Это может привести к обесцвечиванию, деформации и трещинам.

Точность регулировки распила под углом 0°

Данная регулировка уже выполнена на предприятии-изготовителе. Если регулировка нарушается, выполните следующую процедуру.

1. Слегка ослабьте рычаг на пластине индикатора.
2. Обеспечьте прямой угол между поверхностью и диском с помощью треугольной или квадратной линейки. Для этого поворачивайте регулировочный болт.

► Рис.30: 1. Треугольная линейка
2. Регулировочный болт

3. Затяните рычаг и выполните пробный надрез для проверки перпендикулярности.

Для обеспечения БЕЗОПАСНОСТИ и НАДЕЖНОСТИ оборудования ремонт, любое другое техобслуживание или регулировку необходимо производить в уполномоченных сервис-центрах Makita или сервис-центрах предприятия с использованием только сменных частей производства Makita.

ДОПОЛНИТЕЛЬНЫЕ ПРИНАДЛЕЖНОСТИ

▲ВНИМАНИЕ: Данные принадлежности или приспособления рекомендуются для использования с инструментом Makita, указанным в настоящем руководстве. Использование других принадлежностей или приспособлений может привести к получению травмы. Используйте принадлежность или приспособление только по указанному назначению.

Если вам необходимо содействие в получении дополнительной информации по этим принадлежностям, свяжитесь с вашим сервис-центром Makita.

- Диск циркулярной пилы
- Гаечный ключ
- Направляющая планка (направляющая линейка)
- Оригинальный аккумулятор и зарядное устройство Makita

ПРИМЕЧАНИЕ: Некоторые элементы списка могут входить в комплект инструмента в качестве стандартных приспособлений. Они могут отличаться в зависимости от страны.

Makita Europe N.V. Jan-Baptist Vinkstraat 2,
3070 Kortenberg, Belgium

Makita Corporation 3-11-8, Sumiyoshi-cho,
Anjo, Aichi 446-8502 Japan

www.makita.com

885559-981
EN, SV, NO, FI, LV,
LT, ET, RU
20180912