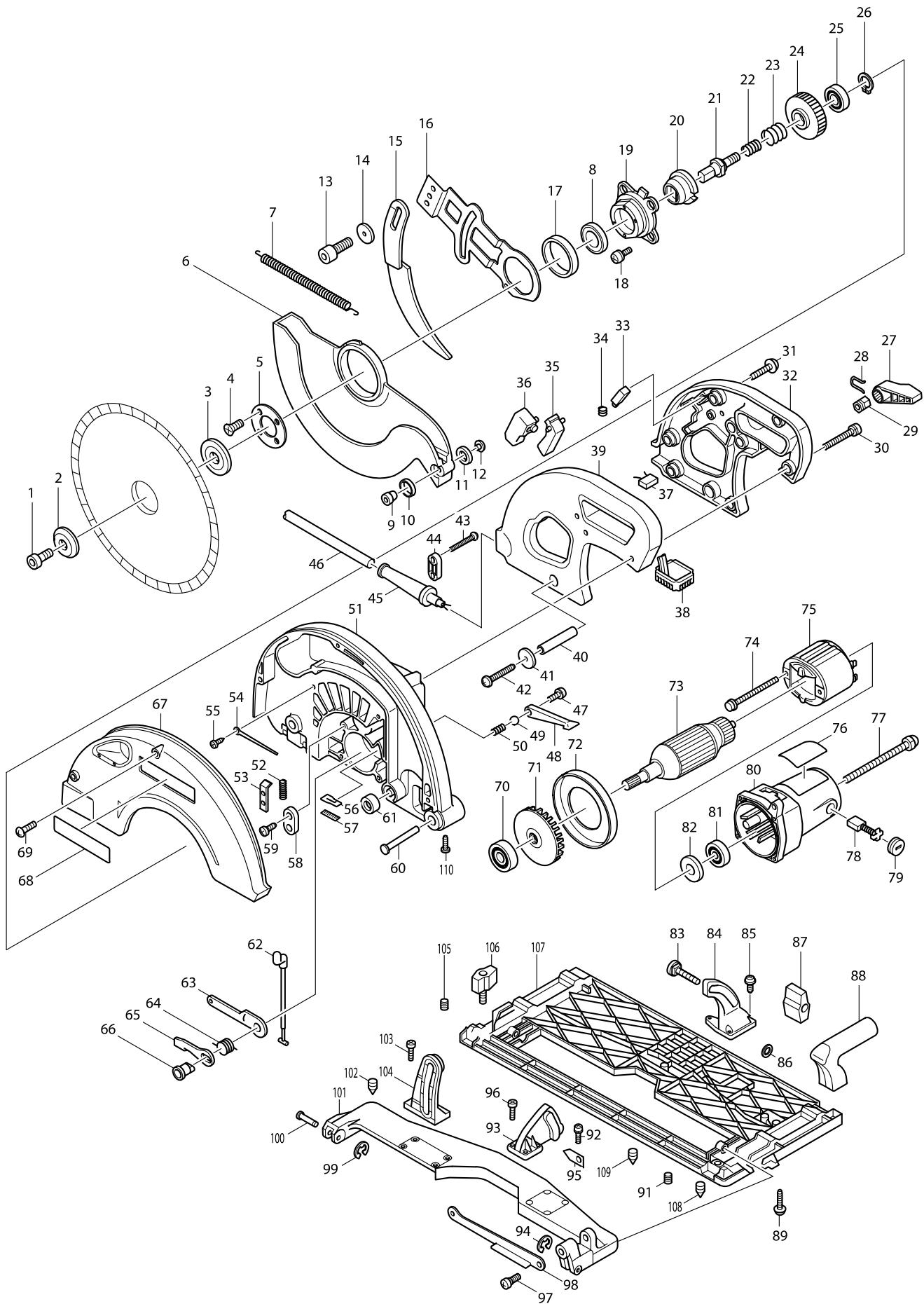


# Model No. 5143R CIRCULAR SAW 355MM



# Model No. 5143R CIRCULAR SAW 355MM

Item	Parts No.	Description	I/C	Qty	N/O	Opt. 1	Opt. 2	Note
001	266083-2	HEX. SOCKET HEAD BOLT M10X25		1				
002	224327-6	OUTER FLANGE 65		1				
003	224328-4	INNER FLANGE 65		1				
004	912222-9	COUNTERSUNK HEAD SCREW M5X16		4				
005	285683-9	BEARING RETAINER 42-68		1				
006	316751-8	SAFETY COVER		1	*			
006-1	318063-5	SAFETY COVER	<	1				
007	231803-3	TENSION SPRING 5		1	*			
007-1	231842-3	TENSION SPRING 8	S	1				
008	211329-1	BALL BEARING 6204DDW		1				
009	415437-2	ROLLER PIN 6		1				
010	415438-0	ROLLER 20		1				
011	415438-0	ROLLER 20		1				
012	415437-2	ROLLER PIN 6		1				
013	922422-3	HEX. SOCKET HEAD BOLT M8X16		1				
014	267147-5	FLAT WASHER 8		1	*			
014-1	267284-5	FLAT WASHER 8	<	1				
015	165151-7	RIVING KNIFE		1	*			
015-1	345751-1	RIVING KNIFE	<	1				
016	344297-4	RIVING KNIFE HOLDER		1	*			
016-1	345753-7	RIVING KNIFE HOLDER	<	1				
017	344304-3	THICKNESS RING		1				
018	911223-4	PAN HEAD SCREW M5X16		4				
019	316753-4	BEARING BOX		1				
020	322830-2	LOCK SLEEVE		1				
021	322828-9	SPINDLE		1				
022	231969-9	LOCK SPRING 20		1				
023	231968-1	LOCK SPRING 27		1				
024	226453-7	HELICAL GEAR 57		1				
025	211104-5	BALL BEARING 6001		1				
026	961052-5	RETAINING RING S-12		1				
027	272230-5	LEVER 54		1				
028	231955-0	RING SPRING 12		1				
029	252134-7	HEX. NUT M8		1				
030	911263-2	PAN HEAD SCREW M5X40		3				
031	266041-8	TAPPING SCREW 5X25		4				
032	182773-8	HANDLE SET		1				
D10		INC. 39						
033	415440-3	LOCK-OFF BUTTON		1				
034	231230-4	COMPRESSION SPRING 4		1				
035	415439-8	SWITCH LEVER		1				
036	651923-1	SWITCH TG70B		1				
037	645105-5	NOISE SUPPRESSOR		1				
037A_	645200-1	NOISE SUPPRESSOR		1				
038A_	631209-9	CONTROLLER 200/220/240V		1				
039	182773-8	HANDLE SET		1				
D10		INC. 32						
040	331469-0	PIPE 9		1				

Item	Parts No.	Description	I/C	Qty	N/O	Opt. 1	Opt. 2	Note
041	941201-0	FLAT WASHER 8		1				
042	266019-1	CAP SQUARE NECK BOLT M8X98		1				
043	265995-6	TAPPING SCREW 4X18		2				
044A_	687052-4	STRAIN RELIEF		1				
045B_	682540-6	CORD GUARD 9.3-90		1				
046K_	665883-1	POWER SUPPLY CORD 1.0-2-5.0		1				
047	911213-7	PAN HEAD SCREW M5X12		1				
048	415908-9	LEVER 110		1	*			
048-1	416250-1	LEVER 110	X	1				
049	216004-4	STEEL BALL 7.9		1				
050	231240-1	COMPRESSION SPRING 7		1				
051	152497-0	BLADE CASE COMPLETE		1	*			
C10	263005-3	RUBBER PIN 6		1	*			
051-1	152546-3	BLADE CASE COMPLETE	X	1	*			
C10	263005-3	RUBBER PIN 6		1	*			
051-2	152549-7	BLADE CASE COMPLETE	X	1	*			
C10	263005-3	RUBBER PIN 6		1	*			
051-3	158091-6	BLADE CASE COMPLETE	S	1				
C10	263005-3	RUBBER PIN 6		1				
052	233140-1	COMPRESSION SPRING 5		1				
053	344294-0	SHAFT LOCK		1				
054	322829-7	GUIDE ROD		1				
055	266026-4	TAPPING SCREW BIND CT 4X12		1				
056	443098-8	FELT		1				
057	344263-1	PLATE		1				
058	687053-2	STRAIN RELIEF		1				
059	266034-5	TAPPING SCREW CT 4X16		2				
060	268008-2	PIN 10		1	*			
060-1	268018-9	PIN 10	X	1				
061	262007-6	RUBBER RING 8		1	*			
061-1	421966-5	CUSHION	S	1				
062	353017-5	WIRE ROPE		1				
063	344295-8	ARM		1				
064	231625-1	TORSION SPRING 23		1				
065	344296-6	CAM PLATE		1				
066	268009-0	PIN 12		1				
067	415817-2	BLADE CASE COVER		1				
068	819091-8	MAKITA LABEL		1				
069	266036-1	TAPPING SCREW BIND CT 5X20		5				
070	211227-9	BALL BEARING 6002DDW		1	*			
070-1	211236-8	BALL BEARING 6002DDW	O	1				
071	241889-9	FAN 74		1				
072	415768-9	BAFFLE PLATE		1				
073B_	516668-7	ARMATURE ASS'Y 220/240V		1				
D10		INC. 81,82						
074	911947-2	PAN HEAD SCREW M5X90		2				
075B_	636118-7	FIELD 220/240V		1	*			
075B1	636173-9	FIELD 220/240V	X	1	*			

Item	Parts No.	Description	I/C	Qty	N/O	Opt. 1	Opt. 2	Note
075B2	596323-7	FIELD ASS'Y 220-240V	S	1				
C10	654197-3	RING TERMINAL		2				
C20	654502-4	CONNECTOR P-2		2				
076	857936-2	NAME PLATE 5143R		1				
077	911288-6	PAN HEAD SCREW M5X65		4				
078	191953-5	CARBON BRUSH CB-203		1				
079	643700-5	BRUSH HOLDER CAP 7-18		2				
080B_	159843-8	MOTOR HOUSING 200-240V		1	*			
C10	643705-5	BRUSH HOLDER		2	*			
C11	643707-1	BRUSH HOLDER	O	2	*			
C20	632542-2	SUPPORT UNIT 200-240V		1	*			
080B1	158628-9	MOTOR HOUSING 200-240V	S	1				
C10	643712-8	BRUSH HOLDER		2				
081	211056-0	BALL BEARING 629LLB		1	*			
081-1	210042-8	BALL BEARING 629LLB	O	1				
082	681633-6	INSULATION WASHER		1				
083	923471-3	CAP SQUARE NECK BOLT M8X50		1				
084	316747-9	ANGULAR PLATE GUIDE		1				
085	266036-1	TAPPING SCREW BIND CT 5X20		3				
086	941201-0	FLAT WASHER 8		1				
087	252626-6	WING NUT		1				
088	415815-6	GRIP		1				
089	266041-8	TAPPING SCREW 5X25		2				
090	268013-9	PIN 8		1				
091	265993-0	H.S.SET SCREW(CUP POINT)M4X5		1				
092	266026-4	TAPPING SCREW BIND CT 4X12		1				
093	316746-1	ANGULAR PLATE		1	*			
093-1	316879-2	ANGULAR PLATE	X	1				
094	961012-7	STOP RING E-6		1				
095	343902-0	POINTER		1				
096	266036-1	TAPPING SCREW BIND CT 5X20		2	*			
096-1	266036-1	TAPPING SCREW BIND CT 5X20	O	4				
097	265011-4	+ BINDING HEAD SCREW M5		1				
098	344298-2	LINK		1	*			
098-1	345722-8	LINK	<	1				
099	961012-7	STOP RING E-6		1				
100	268013-9	PIN 8		1				
101	316750-0	BASE BRIDGE		1	*			
101-1	316880-7	BASE BRIDGE	X	1				
102	266085-8	H.S.SET SCREW(FLAT POINT)M6X10		1				
103	266036-1	TAPPING SCREW BIND CT 5X20		3				
104	316748-7	DEPTH GUIDE		1				
105	265993-0	H.S.SET SCREW(CUP POINT)M4X5		1				
106	251858-2	DIAL SCREW M6X15		4				
107	316752-6	BASE		1				
108	266085-8	H.S.SET SCREW(FLAT POINT)M6X10		1				
109	266085-8	H.S.SET SCREW(FLAT POINT)M6X10		1				
110	266026-4	TAPPING SCREW BIND CT 4X12		1				

