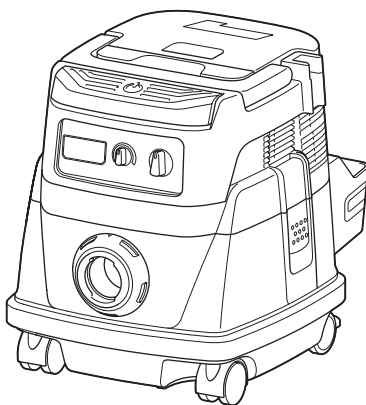




EN	Corded and Cordless Vacuum Cleaner	INSTRUCTION MANUAL	6
SV	Sladdansluten och sladdlös dammsugare	BRUKSANVISNING	14
NO	Støvsuger med og uten ledning	BRUKSANVISNING	22
FI	Verkkovirta- ja akkukäyttöinen pölynimuri	KÄYTTÖOHJE	30
LV	Puteklju sūcējs ar vadu un bez vada	LIETOŠANAS INSTRUKCIJA	38
LT	Laidinis ir akumuliatorinis vakuuminis valymo įrenginys	NAUDOJIMO INSTRUKCIJA	46
ET	Juhtmega ja juhtmeta tolmuimeja	KASUTUSJUHEND	54
RU	Аккумуляторный / Сетевой Пылесос	РУКОВОДСТВО ПО ЭКСПЛУАТАЦИИ	62

DVC860L
DVC861L



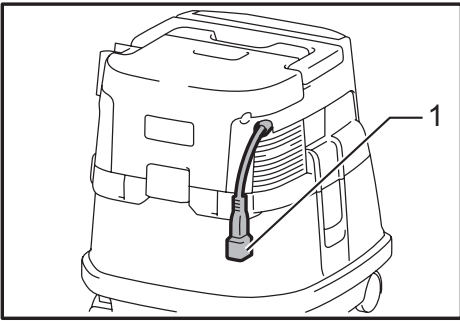


Fig.1

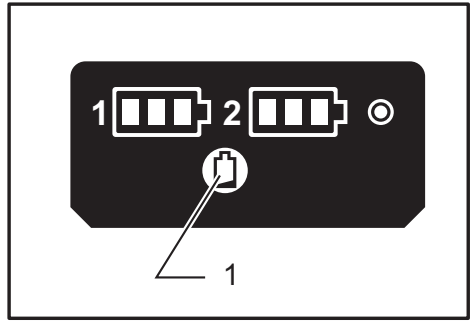


Fig.5

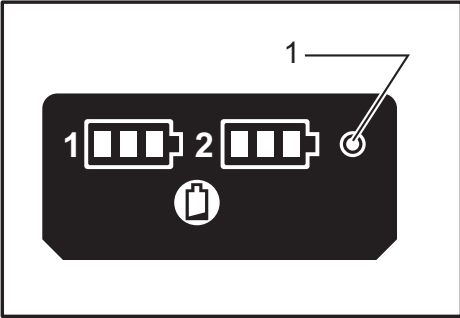


Fig.2

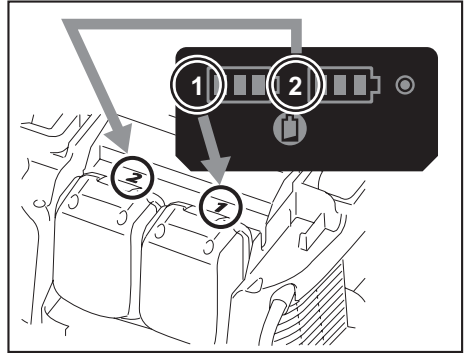


Fig.6

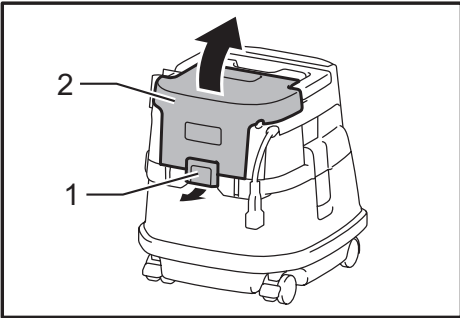


Fig.3

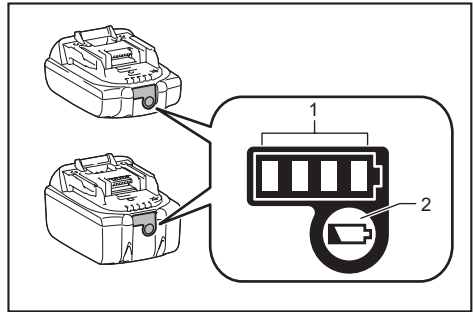


Fig.7

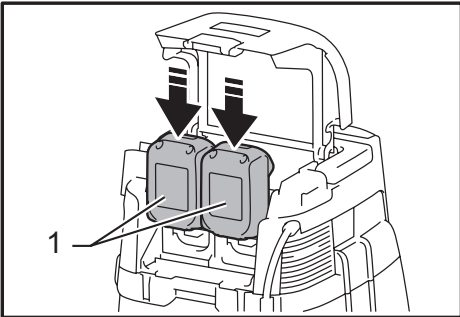


Fig.4

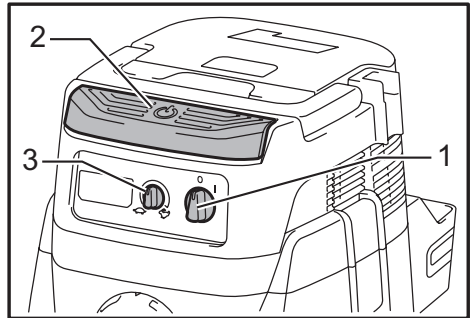


Fig.8

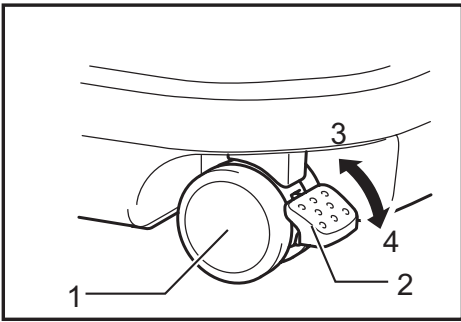


Fig.9

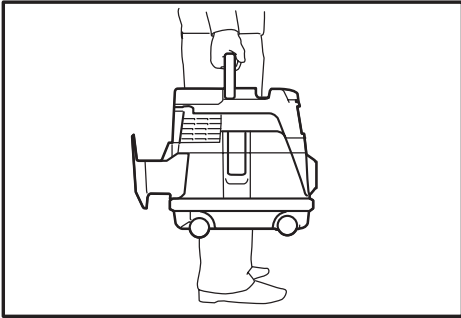


Fig.10

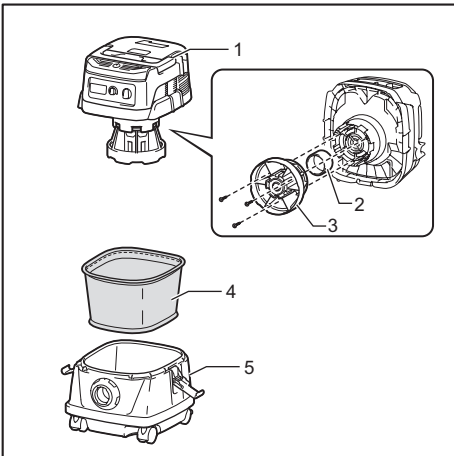


Fig.11

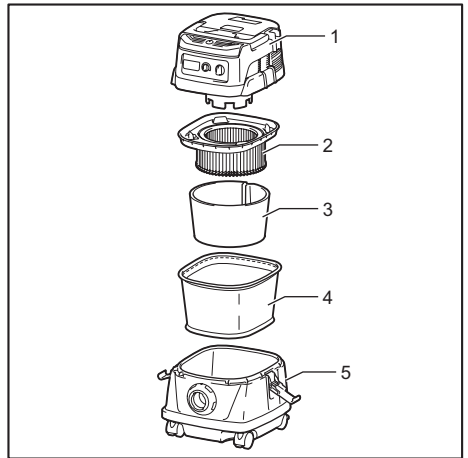


Fig.12

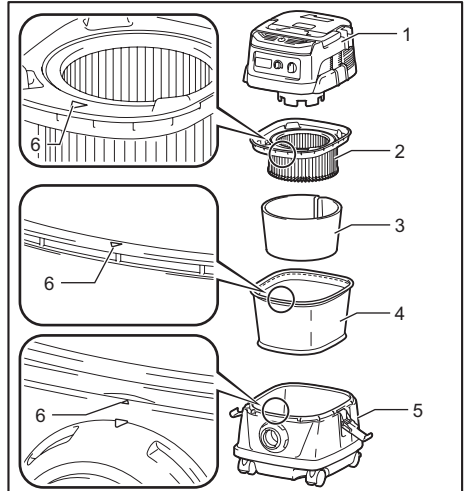


Fig.13

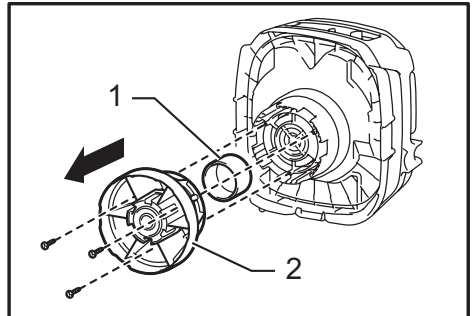


Fig.14

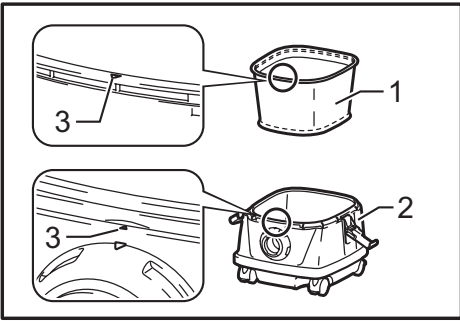


Fig. 15

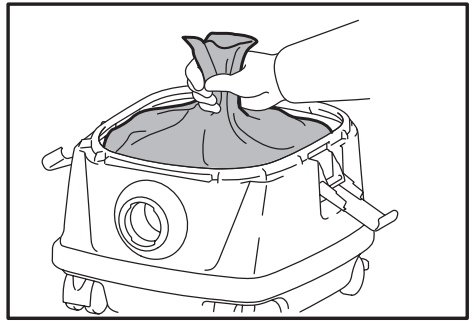


Fig. 19

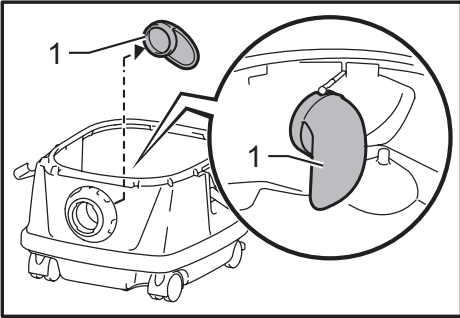


Fig. 16

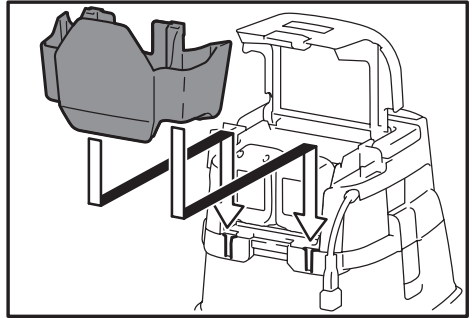


Fig. 20

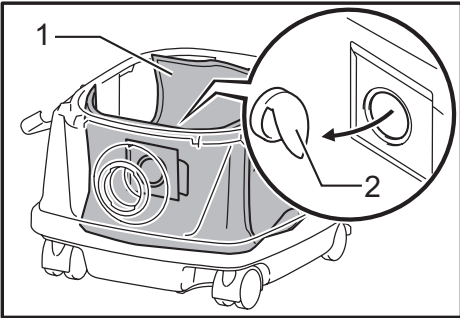


Fig. 17

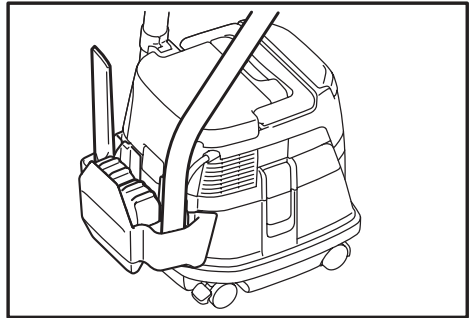


Fig. 21

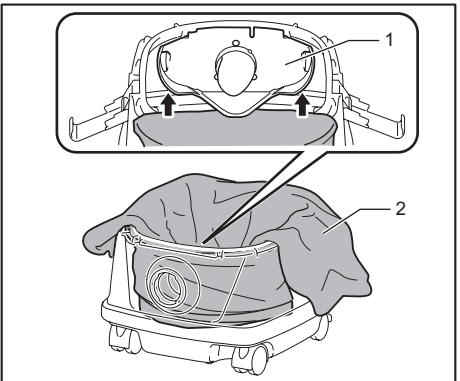


Fig. 18

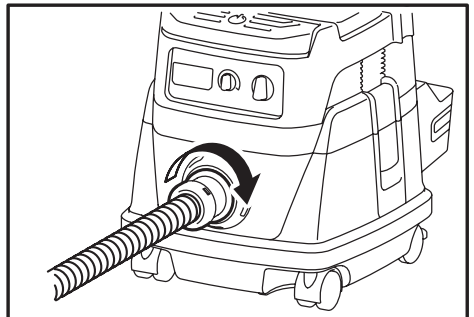


Fig. 22

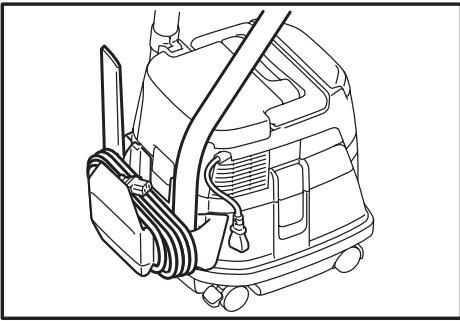


Fig.23

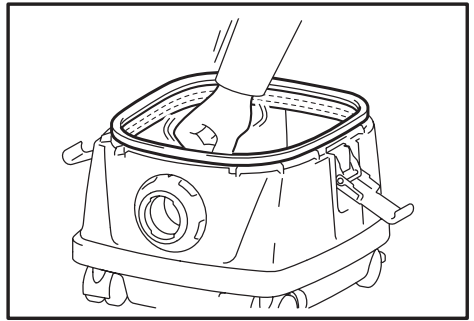


Fig.27

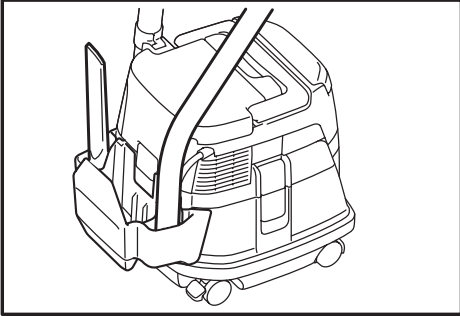


Fig.24

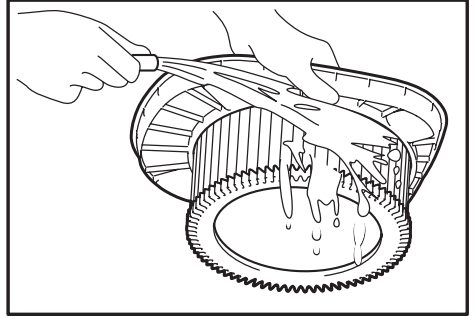


Fig.28

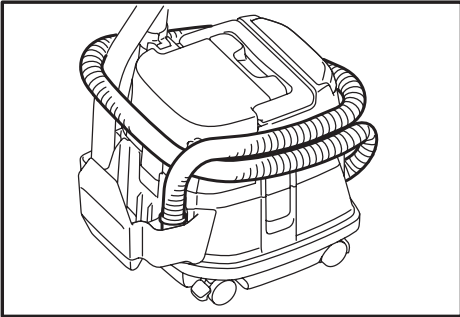


Fig.25

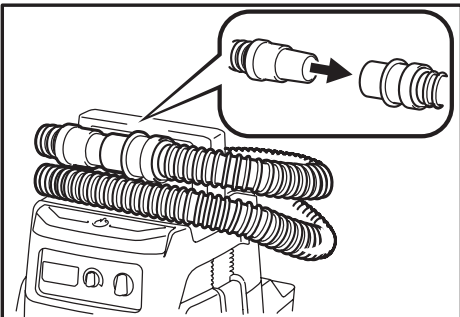


Fig.26

WARNING

This appliance can be used by children aged from 8 years and above and persons with reduced physical, sensory or mental capabilities or lack of experience and knowledge if they have been given supervision or instruction concerning use of the appliance in a safe way and understand the hazards involved. Children shall not play with the appliance. Cleaning and user maintenance shall not be made by children without supervision.

SPECIFICATIONS

Model		DVC860L	DVC861L
Standard filter type		Cloth filter (for dry and wet dust)	Powder filter (for dry dust)
Volume flow (air)	DC operation (with BL1830, ø38 mm x 2.5 m hose)	2.1 m ³ /min	
	AC operation (with ø38 mm x 2.5 m hose)	3.6 m ³ /min	
Vacuum	DC operation (with BL1830, ø38 mm x 2.5 m hose)	90 hPa	
	AC operation (with ø38 mm x 2.5 m hose)	240 hPa	
Recoverable capacity	Dust	8 L	
	Water	6 L	-
Dimensions (L x W x H)		366 mm x 334 mm x 368 mm	
Rated voltage (operation with batteries)		DC 36 V	
Standard battery cartridges		BL1815N, BL1820, BL1820B, BL1830, BL1830B, BL1840, BL1840B, BL1850, BL1850B, BL1860B	
Net weight (with BL1815N / BL1820)		8.6 kg	9.3 kg
Net weight (with BL1830 / BL1840 / BL1850)		9.2 kg	9.9 kg
Safety class		□/II	

- Due to our continuing program of research and development, the specifications herein are subject to change without notice.
- Specifications may differ from country to country.
- Weight, with battery cartridge, according to EPTA-Procedure 01/2003
- For wet dust, the float and the water filter or cloth filter are required.

Symbols

The following show the symbols used for the equipment. Be sure that you understand their meaning before use.



Read instruction manual.



Take particular care and attention.



Warning! The cleaner may contain hazardous dust.



Never stand on the cleaner.



Dust class L (light). The cleaners are capable of picking up dust class L. Follow your country's regulations relating to dusts and to occupational health and safety.



DOUBLE INSULATION



Only for EU countries
Do not dispose of electric equipment or battery pack together with household waste material!
In observance of the European Directives, on Waste Electric and Electronic Equipment and Batteries and Accumulators and Waste Batteries and Accumulators and their implementation in accordance with national laws, electric equipment and batteries and battery pack(s) that have reached the end of their life must be collected separately and returned to an environmentally compatible recycling facility.

Intended use

The tool is intended for collecting both wet and dry dust. The tool is suitable for commercial use, for example in hotels, schools, hospitals, factories, shops, offices and rental businesses.

Power supply

The tool should be connected only to a power supply of the same voltage as indicated on the nameplate, and can only be operated on single-phase AC supply. They are double-insulated and can, therefore, also be used from sockets without earth wire.

Noise

The typical A-weighted noise level determined according to EN/IEC60704:

Sound pressure level (L_{pA}): 75 dB (A)
Uncertainty (K): 2.5 dB (A)

The noise level under working may exceed 80 dB (A).

Wear ear protection

Vibration

The vibration total value (tri-axial vector sum) determined according to IEC 60335-2-69:

Vibration emission (a_{rh}): 2.5 m/s^2 or less
Uncertainty (K): 1.5 m/s^2

For European countries only

EC Declaration of Conformity

Makita declares that the following Machine(s):

Designation of Machine:
Corded and Cordless Vacuum Cleaner
Model No./ Type: DVC860L, DVC861L

Conforms to the following European Directives:
2006/42/EC

They are manufactured in accordance with the following standard or standardized documents:
EN60335

The technical file in accordance with 2006/42/EC is available from:

Makita, Jan-Baptist Vinkstraat 2, 3070, Belgium

25.9.2014

Yasushi Fukaya
Director

Makita, Jan-Baptist Vinkstraat 2, 3070, Belgium

CORDED AND CORDLESS VACUUM CLEANER SAFETY WARNINGS

⚠ WARNING! IMPORTANT READ CAREFULLY all safety warnings and all instructions BEFORE USE. Failure to follow the warnings and instructions may result in electric shock, fire and/or serious injury.

- Before use, make sure that this cleaner must be used by people who have been adequately instructed on the use of this cleaner.**
- If foam/liquid comes out, switch off immediately.**
- Clean the water level limiting device regularly and examine it for signs of damage.**
- Do not use the cleaner without the filter. Replace a damaged filter immediately.**
- USE OF EXTENSION CORD.** When using an extension cord because of the great distance to your power source, try to employ a cord that is sufficiently thick but not too long, or cleaner performance will be adversely affected. For outdoor applications use an extension cord suitable for outdoor use.
- VOLTAGE WARNING:** Before connecting the cleaner to a power source (receptacle, outlet, etc.) be sure the voltage supplied is the same as that specified on the nameplate of the cleaner. A power source with voltage greater than that specified for the cleaner can result in **SERIOUS INJURY** to the operator as well as damage to the cleaner. If in doubt, **DO NOT PLUG IN THE CLEANER.** Using a power source with voltage less than the nameplate rating is harmful to the motor.
- AVOID UNINTENTIONAL STARTING.** Be sure switch is OFF when plugging in.
- Do not attempt to pick up flammable materials, fire works, lighted cigarettes, hot ashes, hot metal chips, sharp materials such as razors, needles, broken glass or the like.**
- NEVER USE THE CLEANER IN THE VICINITY OF GASOLINE, GAS, PAINT, ADHESIVES OR OTHER HIGHLY EXPLOSIVE SUBSTANCES.** The switch emits sparks when turned ON and OFF. And so does the motor commutator during operation. A dangerous explosion may result.
- Never vacuum up toxic, carcinogenic, combustible or other hazardous materials such as asbestos, arsenic, barium, beryllium, lead, pesticides, or other health endangering materials.**
- Never use the cleaner outdoors in the rain.**
- Do not use close to heat sources (stoves, etc.).**
- GUARD AGAINST ELECTRIC SHOCK.** Prevent body contact with grounded surfaces. For example; pipes, radiators, ranges, refrigerator enclosures.
- Do not block cooling vents.** These vents permit cooling of the motor. Blockage should be carefully avoided otherwise the motor will burn out from lack of ventilation.
- Keep proper footing and balance at all times.**

16. **DO NOT ABUSE CORD.** Never carry the cleaner by cord or yank it to disconnect from receptacle. Keep cord away from heat, oil, and sharp edges. Inspect cleaner cords periodically and if damaged, have repaired by authorized service facility. Inspect extension cords periodically and replace if damaged.
17. Do not fold, tug or step on the hose.
18. Stop the cleaner immediately if you notice poor performance or anything abnormal during operation.
19. **DISCONNECT THE CLEANER.** When not in use, before servicing, and when changing accessories.
20. Clean and service the cleaner immediately after each use to keep it in tiptop operating condition.
21. **MAINTAIN THE CLEANER WITH CARE.** Keep the cleaner clean for better and safer performance. Follow instructions for changing accessories. Keep handles dry, clean, and free from oil and grease.
22. **CHECK DAMAGED PARTS.** Before further use of the cleaner, a guard or other part that is damaged should be carefully checked to determine that it will operate properly and perform its intended function. Check for alignment of moving parts, binding of moving parts, breakage of parts, mounting, and any other conditions that may affect its operation. A guard or other part that is damaged should be properly repaired or replaced by an authorized service center unless otherwise indicated elsewhere in this instruction manual. Have defective switches replaced by authorized service center. Don't use the cleaner if switch does not turn it on and off.
23. **REPLACEMENT PARTS.** When servicing, use only identical replacement parts.
24. **STORE IDLE CLEANER.** When not in use, the cleaner should be stored indoors.
25. Wet filters and the interior part of the liquid container shall be dried before storage.
26. Be kind to your cleaner. Rough handling can cause breakage of even the most sturdily built cleaner.
27. Do not attempt to clean the exterior or interior with benzine, thinner or cleaning chemicals. Cracks and discoloration may be caused.
28. Do not use cleaner in an enclosed space where flammable, explosive or toxic vapors are given off by oil-base paint, paint-thinner, gasoline, some mothproofing substances, etc., or in areas where flammable dust is present.
29. Do not leave the cleaner cord lying on the floor after you have finished a cleaning job. It can become a tripping hazard or may cause damage to the cleaner.
30. Do not operate this or any tool while under the influence of drugs or alcohol.
31. As a basic rule of safety, use safety goggles or safety glasses with side shields.
32. Use a dust mask in dusty work conditions.
33. This machine is not intended for use by persons including children with reduced physical, sensory or mental capabilities, or lack of experience and knowledge.
34. Young children should be supervised to ensure that they do not play with the cleaner.
35. Never handle plug cord or cleaner with wet hands.
36. Use extreme caution when cleaning on stairs.
37. Do not use the cleaner as a stool or work bench. The machine may fall down and may result in personal injury.

Battery tool use and care

1. Recharge only with the charger specified by the manufacturer. A charger that is suitable for one type of battery pack may create a risk of fire when used with another battery pack.
2. Use power tools only with specifically designed battery packs. Use of any other battery packs may create a risk of injury and fire.
3. When battery pack is not in use, keep it away from other metal objects, like paper clips, coins, keys, nails, screws or other small metal objects, that can make a connection from one terminal to another. Shorting the battery terminals together may cause burns.
4. Under abusive conditions, liquid may be ejected from the battery; avoid contact. If contact accidentally occurs, flush with water. If liquid contacts eyes, additionally seek medical help. Liquid ejected from the battery may cause irritation or burns.

KEEP FOR FUTURE REFERENCE

⚠WARNING: DO NOT let comfort or familiarity with product (gained from repeated use) replace strict adherence to safety rules for the subject product. MISUSE or failure to follow the safety rules stated in this instruction manual may cause serious personal injury.

IMPORTANT SAFETY INSTRUCTIONS

FOR BATTERY CARTRIDGE

1. Before using battery cartridge, read all instructions and cautionary markings on (1) battery charger, (2) battery, and (3) product using battery.
2. Do not disassemble battery cartridge.
3. If operating time has become excessively shorter, stop operating immediately. It may result in a risk of overheating, possible burns and even an explosion.
4. If electrolyte gets into your eyes, rinse them out with clear water and seek medical attention right away. It may result in loss of your eyesight.

5. **Do not short the battery cartridge:**
 - (1) **Do not touch the terminals with any conductive material.**
 - (2) **Avoid storing battery cartridge in a container with other metal objects such as nails, coins, etc.**
 - (3) **Do not expose battery cartridge to water or rain.**

A battery short can cause a large current flow, overheating, possible burns and even a breakdown.
6. **Do not store the tool and battery cartridge in locations where the temperature may reach or exceed 50°C (122°F).**
7. **Do not incinerate the battery cartridge even if it is severely damaged or is completely worn out. The battery cartridge can explode in a fire.**
8. **Be careful not to drop or strike battery.**
9. **Do not use a damaged battery.**
10. **The contained lithium-ion batteries are subject to the Dangerous Goods Legislation requirements.**

For commercial transports e.g. by third parties, forwarding agents, special requirement on packaging and labeling must be observed.

For preparation of the item being shipped, consulting an expert for hazardous material is required. Please also observe possibly more detailed national regulations.

Tape or mask off open contacts and pack up the battery in such a manner that it cannot move around in the packaging.
11. **Follow your local regulations relating to disposal of battery.**

SAVE THESE INSTRUCTIONS.

⚠CAUTION: Only use genuine Makita batteries. Use of non-genuine Makita batteries, or batteries that have been altered, may result in the battery bursting causing fires, personal injury and damage. It will also void the Makita warranty for the Makita tool and charger.

Tips for maintaining maximum battery life

1. **Charge the battery cartridge before completely discharged.**
Always stop tool operation and charge the battery cartridge when you notice less tool power.
2. **Never recharge a fully charged battery cartridge.**
Overcharging shortens the battery service life.
3. **Charge the battery cartridge with room temperature at 10°C - 40°C (50°F - 104°F).** Let a hot battery cartridge cool down before charging it.
4. **Charge the battery cartridge if you do not use it for a long period (more than six months).**

FUNCTIONAL DESCRIPTION

Use with AC power:

⚠WARNING:

- **Before plugging the cleaner, always make sure that the cleaner is switched off.** Plugging the cleaner with the switch on may cause an unexpected start resulting in serious personal injury.

► **Fig.1:** 1. Plug (the shape and cord length may differ from country to country)

Connect the plug to a power supply.

► **Fig.2:** 1. AC power indicator

The AC power indicator lights up when setting the stand-by switch to "I" side.

NOTE:

- Even operating in DC power mode, the tool is automatically changed into AC power mode when plugged in.
- If the tool is unplugged during operation with the battery inserted, the cleaner gets into stand-by state.

Use with battery:

Installing or removing battery cartridge

⚠CAUTION:

- Always be sure that the cleaner is switched off, unplugged, and the battery cartridge is removed before adjusting or checking function on the tool.
- **Hold the cleaner and the battery cartridge firmly when installing or removing battery cartridge.** Failure to hold the cleaner and the battery cartridge firmly may cause them to slip off your hands and result in damage to the cleaner and battery cartridge and a personal injury.
- **Be careful not to pinch your fingers when opening or closing the battery cover.** Failure to do so may cause personal injury.

► **Fig.3:** 1. Lock 2. Battery cover

To install the battery cartridge, release the lock first, and open the battery cover. And then, insert the battery cartridge.

► **Fig.4:** 1. Battery cartridge

Align the tongue on the battery cartridge with the groove in the housing and slip it into place. Insert it all the way until it locks in place with a little click. Then lock the battery cover.

To remove the battery cartridge, slide it from the tool while sliding the button on the front of the cartridge.

NOTICE:

- Remove the plug of the cleaner from the extension cord when using the cleaner with the batteries.

CAUTION:

- Always install the battery cartridge fully in place. If not, it may accidentally fall out of the tool, causing injury to you or someone around you.
- Do not install the battery cartridge forcibly. If the cartridge does not slide in easily, it is not being inserted correctly.

NOTE:

- The cleaner does not work with only one battery cartridge.

Tool / battery protection system


The tool is equipped with a tool/battery protection system. This system automatically cuts off power to the motor to extend tool and battery life.

The tool will automatically stop during operation if the tool or battery is placed under one of the following conditions. In some conditions, the indicators light up.

Overload protection

If the tool is overloaded, the tool stops automatically. In this situation, turn the tool off and stop the application that caused the tool to become overloaded. Then turn the tool on to restart.

Overheat protection for tool

<input type="checkbox"/> :On	<input type="checkbox"/> :Blinking
	

When the tool is overheated, the tool stops automatically, and the battery indicator blink about 60 seconds. In this situation, let the tool cool down before turning the tool on again.

Overdischarge protection

When the battery capacity becomes low, the tool stops automatically. If the product does not operate even when the switches are operated, remove the batteries from the tool and charge the batteries.





Remaining battery capacity indication

► Fig.5: 1. CHECK button

► Fig.6

Press the check button to make the battery indicators show the remaining battery capacities. The battery indicators correspond to each battery.

Remaining battery capacity indication










Battery indicator status	Remaining battery capacity
<input type="checkbox"/> :On <input type="checkbox"/> :Off <input type="checkbox"/> :Blinking	
	50% - 100%
	20% - 50%
	0% - 20%
	Charge the battery

Indicating the remaining battery capacity

Only for battery cartridges with the indicator

► Fig.7: 1. Indicator lamps 2. Check button

Press the check button on the battery cartridge to indicate the remaining battery capacity. The indicator lamps light up for a few seconds.

Indicator lamps			Remaining capacity
 Lighted	<input type="checkbox"/> Off	 Blinking	
			75% to 100%
	<input type="checkbox"/>		50% to 75%
	<input type="checkbox"/>	<input type="checkbox"/>	25% to 50%
	<input type="checkbox"/>	<input type="checkbox"/>	0% to 25%
	<input type="checkbox"/>	<input type="checkbox"/>	Charge the battery.
	<input type="checkbox"/>	<input type="checkbox"/>	The battery may have malfunctioned.
<input type="checkbox"/>	<input type="checkbox"/>		

NOTE: Depending on the conditions of use and the ambient temperature, the indication may differ slightly from the actual capacity.

Switch action

► Fig.8: 1. Stand-by switch 2. Power button 3. Suction force adjusting knob



To start the cleaner:

- Set the stand-by switch to the "I" side. The cleaner gets into stand-by state.
- Press the power button.

To make the cleaner get into stand-by mode, press the power button again.

To turn off the cleaner, set the stand-by switch to the "O" side.

The suction power can be adjusted according to your work need.

Suction power can be increased by turning the suction force adjusting knob from the  symbol to the  symbol.

NOTICE:

- Always set the stand-by switch to the "O" side when not using the cleaner for long time. The cleaner consumes power during stand-by state.

Auto-suction stop during wet suction operation (for the cloth filter model)

⚠ WARNING:

- **Do not use for a long time while the float is at work.** Using the cleaner with its float at work for a long time can cause overheat, resulting in the cleaner deformation.
- **Do not pick up foam or soapy liquid.** Picking up foam or soapy liquid can cause foam to come out of air exit before the float works. Continuing to using in this condition may cause an electric shock and breakage of the cleaner.

Auto-suction stop works only when using with the float and float cage.

The cleaner has a float mechanism that prevents water from immersing into the motor when picking up more than a certain amount of water.

When the tank is full and the cleaner no longer picks up water, switch off the cleaner and empty the tank.

Locking or unlocking the caster

- **Fig.9:** 1. Caster 2. Stopper lever 3. FREE position 4. LOCK position

To lock the caster with a stopper, lower the stopper lever and the caster no longer will rotate. To release the caster from the locked position, raise the stopper lever. Locking the caster is convenient when storing the cleaner, stopping the work on the way and keeping the cleaner still.

To operate the stopper, move it by hand.

NOTE:

- When moving the cleaner, make sure that the caster is unlocked. Moving the cleaner with the caster in the locked position may cause damage to the caster.

Carriage handle

- **Fig.10**

When carrying the cleaner, carry it by holding the handle on the head. The handle is retractable at the head when not in use.

PARTS DESCRIPTION

Model DVC860L

(Cloth filter (for dry and wet dust) model)

- **Fig.11:** 1. Tank cover 2. Float 3. Float cage 4. Cloth filter 5. Tank

Model DVC861L

(Powder filter (for dry dust) model)

- **Fig.12:** 1. Tank cover 2. Powder filter (HEPA) 3. Damper 4. Prefilter 5. Tank

ASSEMBLY

⚠ CAUTION:

- Always be sure that the cleaner is switched off, unplugged, and the battery cartridge is removed before carrying out any work on the cleaner.
- Always wear dust mask during assembly or maintenance.

Installing the powder filter (HEPA) and prefilter (for dry dust)

Optional accessory for cloth filter model

⚠ CAUTION:

- Never pick up water or other liquids or wet dusts when using the powder filter. Picking up such things may cause the powder filter breakage.

- **Fig.13:** 1. Tank cover 2. Powder filter (HEPA) 3. Damper 4. Prefilter 5. Tank 6. Mounting position marking

- **Fig.14:** 1. Float 2. Float cage

To use powder filter, remove the float cage and float by removing the bolts.

Place the prefilter in the tank.

Next, mount the damper on the powder filter and then place them in the prefilter.

When installing powder filter and prefilter, align the mounting position marking on each of them with that one at the top of the tank.

Finally, mount the tank cover and lock it.

NOTE:

- Before using the powder filter, make sure that prefilter and damper are always used together. It is not allowed to install powder filter solely.

Installing the water filter (for cloth filter model) (optional accessory)

⚠ CAUTION:

- Never pick up water or wet dust without the float and the cloth filter or the water filter.
- For picking up wet dust, make sure that the float cage and the float are installed on the cleaner.
- When installing the water filter on the tank, set it tight at the opening of the tank so that the hook of the water filter engages the tank opening firmly and there is no space between the water filter and the tank.

NOTICE:

- It is recommended using water filter when picking up large amount of water repeatedly. Otherwise vacuum ability may be reduced in case of cloth filter.

► **Fig.15:** 1. Water filter 2. Tank 3. Mounting position marking

To pick up water or wet dust only, the water filter is more suitable than the cloth filter.

When installing the water filter, align its mounting position mark with the one on the tank.

Installing the paper pack (optional accessory)

⚠ WARNING:

- When using the paper pack, also use the cloth filter or prefilter together that is preinstalled on the tool. Failure to use the cloth filter / prefilter together may cause unusual noise and heat, resulting in a fire.

⚠ CAUTION:

(For the cloth filter model)

- Never pick up water or other liquids or wet dusts when using the paper pack. Picking up such things may cause the paper pack breakage.
- Before using the paper pack, make sure that powder filter (optional accessory), damper (optional accessory) and prefilter are always used together.

(For the powder filter model)

- Before using the paper pack, make sure that powder filter, damper and prefilter are always used together.

1. Remove the rubber holder.

► **Fig.16:** 1. Rubber holder

2. Extend the paper pack.

3. Align the paper pack opening with the dust suction opening of the cleaner.

4. Insert the cardboard of the paper pack onto the holder so that it is positioned at the end beyond the detent protrusion.

► **Fig.17:** 1. Paper pack 2. Holder

Installing the polyethylene bag

Cleaner can also be used without polyethylene bag. However, using polyethylene bag is easier to empty the tank without letting your hands dirty.

► **Fig.18:** 1. Holder plate 2. Polyethylene bag

Spread the polyethylene bag in the tank. Insert it between the holder plate and the tank, and pull it to the hose inlet. Spread the bag around the top of the tank so that the prefilter edge can catch and hold the bag securely.

NOTE:

- A polyethylene bag available on the market can be used. 0.04 mm or thicker one is recommended.
- Too much dust will tear the bag easily, so do not collect the dust more than the half of the bag capacity.

Emptying the polyethylene bag

⚠ WARNING:

- Always make sure that the cleaner is switched off and unplugged before emptying the polyethylene bag. Failure to do so may cause an electric shock and serious personal injury.

⚠ CAUTION:

- Do not apply a great impact on the float cage and tank. Applying a great impact may cause deformation and damage to the parts.
- Empty the tank at least once a day although this depends on picked-up dust volume in the tank. Or, the suction force will weaken and the motor may be broken.
- Do not grab the hook when emptying the tank. Grabbing the hook may cause the hook to break.

Unhook and lift up the tank cover.

► **Fig.19**

Shake off the dust from the cloth filter / powder filter and then take the polyethylene bag out of the tank.

NOTE:

- Take the polyethylene bag carefully out of the tank so that the polyethylene bag cannot be caught and torn by the protrusion inside the tank when emptying it.
- Empty the polyethylene bag before it becomes full. Too much dust in the tank may cause the polyethylene bag to be torn.

Installing the tool box

► **Fig.20**

1. Release the lock of the battery cover, and open the battery cover.

2. Set the rails on the tool box along the grooves on the housing.

3. Close the battery cover and apply the lock.

► **Fig.21**

The tool box is convenient for carrying batteries, extension code, pipe, or cuffs.

Connecting the hose

CAUTION:

- Never force the hose for bending or stamp it. Never move the cleaner by a hose. Forcing, stamping and pulling the hose may cause a breakage or deformation of the hose.
- When picking up large wastes such as planer carvings, concrete dusts or similar other than small wastes, use the 38 mm inner diameter hose (optional accessory). Using the 28 mm inner diameter hose (optional accessory) may cause a hose stuffing and damage.

► Fig.22

Insert the hose onto the mounting port of the tank and turn it clockwise until it locks.

MAINTENANCE

CAUTION:

- Always be sure that the tool is switched off, unplugged, and the battery cartridge is removed before attempting to perform inspection or maintenance.

Storage of power supply cord

► Fig.23

You can wind up the power supply cord around the tool box.

Storage of accessories

► Fig.24

► Fig.25

The pipes can be placed into the pipe holder when not using the cleaner for a short time.

► Fig.26

The hose can be stored around the tool by connecting each ends.

Cleaning

CAUTION:

- Never use gasoline, benzene, thinner, alcohol or the like. Discoloration, deformation or cracks may result.

Cleaning of cloth filter

Only for the cloth filter model

► Fig.27

Clogged cloth filter causes poor suction performance. Clean out the cloth filter from time to time.

To remove dust or particles adhering to the cloth filter, shake the frame bottom quickly several times.

Cleaning of powder filter (HEPA) and prefilter

Only for the powder filter model

Clogged powder filter, prefilter and damper cause poor suction performance.

Clean out the filters and dampers from time to time.

To remove dust or particles adhering to the filters, shake the frame bottom quickly several times.

► Fig.28

Occasionally wash the powder filter in water, rinse and dry thoroughly in the shade before use. Never wash filters in a washing machine.

NOTE:

- Do not rub and scratch the powder filter, the prefilter or the damper with hard objects such as a brush and a paddle.
- The filters wear out in course of time. It is recommended to have some spares for them.

To maintain product SAFETY and RELIABILITY, repairs, any other maintenance or adjustment should be performed by Makita Authorized Service Centers, always using Makita replacement parts.

OPTIONAL ACCESSORIES

CAUTION:

- These accessories or attachments are recommended for use with your Makita tool specified in this manual. The use of any other accessories or attachments might present a risk of injury to persons. Only use accessory or attachment for its stated purpose.

If you need any assistance for more details regarding these accessories, ask your local Makita Service Center.

- Makita genuine battery and charger
- Hose
- Front cuffs (22, 24, 38)
- Straight pipe
- Corner nozzle
- Round brush
- Powder filter, HEPA (for dry dust)
- Damper
- Prefilter
- Nozzle assembly
- Bent pipe
- Polyethylene bag
- Water Filter (option for the cloth filter model)
- Paper pack
- Holder set

NOTE:

- Some items in the list may be included in the tool package as standard accessories. They may differ from country to country.

VARNING

Denna maskin kan användas av barn från 8 års ålder och äldre samt personer med nedsatt fysisk, sensorisk eller mental kapacitet eller brist på erfarenhet och kunskap förutsatt att de har fått handledning eller instruktioner om hur maskinen används på rätt sätt och förstår riskerna som det medför. Barn ska inte leka med maskinen. Rengöring och användarunderhåll ska inte utföras av barn utan tillsyn.

SPECIFIKATIONER

Modell		DVC860L	DVC861L
Standardfiltertyp		Tygfilter (för torr och vått damm)	Dammfilter (för torr damm)
Volymflöde (luft)	Användning med likström (med BL1830, ø38 mm x 2,5 m slang)	2,1 m ³ /min	
	Användning med nätström (med ø38 mm x 2,5 m slang)	3,6 m ³ /min	
Vakuüm	Användning med likström (med BL1830, ø38 mm x 2,5 m slang)	90 hPa	
	Användning med nätström (med ø38 mm x 2,5 m slang)	240 hPa	
Återvinningskapacitet	Damm	8 L	
	Vatten	6 L	-
Mått (L x B x H)		366 mm x 334 mm x 368 mm	
Märkström (användning med batterier)		36 V likström	
Batterikassetter av standardmodell		BL1815N, BL1820, BL1820B, BL1830, BL1830B, BL1840, BL1840B, BL1850, BL1850B, BL1860B	
Nettovikt (med BL1815N / BL1820)		8,6 kg	9,3 kg
Nettovikt (med BL1830 / BL1840 / BL1850)		9,2 kg	9,9 kg
Säkerhetsklass		□/II	

- På grund av vårt pågående program för forskning och utveckling kan dessa specifikationer ändras utan föregående meddelande.
- Specifikationerna kan variera mellan olika länder.
- Vikt med batterikasset i enlighet med EPTA-procedur 01/2003
- För vått damm krävs att flottören och vattenfiltret eller tygfiltret används.

Symboler

Följande visar symbolerna som används för utrustningen. Se till att du förstår innebörden innan du använder bormaskinen.



Läs igenom bruksanvisningen.



Var extra försiktig och uppmärksam.



Varning! Dammsugaren kan innehålla farligt damm.



Stå aldrig på dammsugaren.



Dammklass L (lätt). Dammsugarna har kapacitet att suga upp damm i klass L. Följ nationella föreskrifter gällande damm samt hälsa och säkerhet i yrkeslivet.



DUBBEL ISOLERING



Gäller endast EU-länder
Elektrisk utrustning eller batteripaket får inte kastas i hushållsoporna!
Enligt EU-direktiven som avser förbrukad elektrisk och elektronisk utrustning, batterier, ackumulatörer, förbrukade batterier och ackumulatörer, samt direktivens tillämpning enligt nationell lagstiftning, ska uttjänt elektrisk utrustning, batterier och batteripaket sorteras separat och lämnas till miljövänlig återvinning.

Avsedd användning

Maskinen är avsedd för att suga upp både vått och torrt damm. Denna maskin är avsedd för kommersiellt bruk, som för t ex hotell, skolor, sjukhus, fabriker, affärer, kontor och utrymningsrörelser.

Strömförsörjning

Maskinen får endast anslutas till elnät med samma spänning som anges på typplåten och med enfasig växelström. De är dubbelisolerade och får därför också anslutas i ojordade vägguttag.

Buller

Typiska A-vägdade bullernivån är mätt enligt EN/IEC60704:

Ljudtrycksnivå (L_{pA}): 75 dB (A)

Måttolerans (K): 2,5 dB (A)

Bullernivån vid arbete kan överstiga 80 dB (A).

Använd hörselskydd

Vibration

Vibrationens totalvärde (tre-axlars vektorsumma) mätt enligt IEC 60335-2-69:

Vibrationsemission (a_{h1}): 2,5 m/s² eller lägre

Måttolerans (K): 1,5 m/s²

Gäller endast Europa

EU-konformitetsdeklaration

Makita försäkrar att följande maskiner:

Maskinbeteckning:

Sladdansluten och sladdlös dammsugare

Modellnummer/Typ: DVC860L, DVC861L

Följer följande EU-direktiv:

2006/42/EC

De är tillverkade i enlighet med följande standard eller standardiseringsdokument:

EN60335

Den tekniska dokumentationen i enlighet med 2006/42/EG finns tillgänglig från:

Makita, Jan-Baptist Vinkstraat 2, 3070, Belgium

25.9.2014

Yasushi Fukaya

Direktör

Makita, Jan-Baptist Vinkstraat 2, 3070, Belgium

SÄKERHETSVARNINGAR GÄLLANDE SLADDANSLUTNA OCH SLADDLÖSA DAMMSUGARE

⚠ VARNING! VIKTIGT! LÄS NOGGRANT igenom alla säkerhetsvarningar och anvisningar FÖRE ANVÄNDNING. Underlåtenhet att följa varningar och anvisningar kan leda till elektrisk stöt, brand och/eller allvarliga personskador.

1. **Se till före användningen att denna dammsugare endast används av personer som har fått korrekta instruktioner om hur dammsugaren ska användas.**
2. **Om skum eller vätska kommer ut ska maskinen stängas av omedelbart.**
3. **Rengör regelbundet enheten för vattennivågränsen och kontrollera den om det finns tecken på skada.**
4. **Använd inte dammsugaren utan filtret. Byt genast ut ett skadat filter.**
5. **ANVÄNDNING AV FÖRLÄNGNINGSKABEL.** Vid användning av en förlängningskabel, när avståndet till strömkällan är för långt, ska du försöka att använda en kabel som är tillräckligt kraftig men inte för lång annars kommer sugkraften att påverkas negativt. För utomhusanvändning ska en förlängningskabel för utomhusbruk användas.
6. **SPÄNNINGSVARNING:** Innan dammsugaren ansluts till en strömkälla (eluttag etc.) ska du kontrollera att den levererade spänningen är den samma som finns specificerad på dammsugarens namnplåt. En strömkälla med en högre spänning än den som är specificerad för dammsugaren kan resultera i ALLVARLIG SKADA hos användaren liksom skada på dammsugaren. **SÄTT INTE I STRÖMKONTAKTEN** om du är tveksam. Att använda en strömkälla med en lägre spänning än den på namnplåten är skadligt för motorn.
7. **UNDVIK OAVSIKTLIG START.** Se till att strömbrytaren är **AVSTÄNGD** när dammsugaren ansluts till elnätet.
8. **Försök inte att suga upp lättantändliga material, fyrverkerier, tända cigaretter, het aska, heta metallfiosor, vasst material såsom rakblad, nålar, krossat glas eller liknande.**
9. **ANVÄND ALDRIG DAMMSUGAREN I NÄRHETEN AV BENSIN, GAS, FÄRG, LIM ELLER ÄNDRA HÖGEXPLOSIVA ÄMNINGEN.** Strömbrytaren avger gnistor när den sätts **PÅ** och **AV**. Och så gör strömomkastaren för motorn under användning. En farlig explosion kan uppstå.
10. **Sug aldrig upp giftiga, cancerframkallande, brännbara eller andra farliga material såsom asbest, arsenik, barium, beryllium, bly, bekämpningsmedel eller annat hälsofarligt material.**
11. **Använd aldrig dammsugaren utomhus i regnet.**
12. **Använd inte dammsugaren nära värmekällor (spisar etc.).**
13. **SKYDD MOT ELEKTRISK STÖT.** Undvik kroppskontakt med jordade ytor. Till exempel rör, element, spisar eller kylskåpshöljen.
14. **Blockera inte kylventiler.** Dessa ventiler kyler ner motorn. Var noggrann med att inte blockera dessa eftersom motorn bränns ut om det inte finns ventilation.

15. Stå alltid stabilt och ha god balans hela tiden.
16. **HANTERA INTE KABELN OFÖRSIKTIGT.** Lyft aldrig dammsugaren i kabeln och ryck inte i kabeln för att dra ut den ur eluttaget. Håll sladden borta från värme, olja och vassa kanter. Inspektera dammsugarens kablar ibland och låt en auktoriserad serviceverkstad byta ut dem om de är skadade. Inspektera förlängningskablarna då och då, och byt ut dem om de är skadade.
17. Slangen får inte vikas, ryckas i eller trampas på.
18. Stäng genast av dammsugaren om den suger dåligt eller något onormalt sker med den under användningen.
19. **DRA UT DAMMSUGARENS ELKONTAKT.** När dammsugaren inte används, före service och vid byte av tillbehör.
20. Rengör och serva dammsugaren omedelbart efter varje användning för att hålla den i perfekt skick.
21. **UNDERHÅLL DAMMSUGAREN MED OMSORG.** Håll dammsugaren ren för att uppnå bättre och säkrare funktion. Följ anvisningarna för byte av tillbehör. Håll handtagen torra, rena och fria från olja och fett.
22. **KONTROLLERA SKADADE DELAR.** Före fortsatt användning av dammsugaren ska ett skadat skydd eller annan del som är skadad noggrant kontrolleras för att avgöra om den kommer att fungera korrekt och utför det arbete som den är avsedd för. Kontrollera inriktningen och fästet för rörliga delar, om det finns trasiga delar, monteringen eller andra förhållande som kan påverka användningen av dammsugaren. Ett skydd eller annan del som är skadad ska repareras ordentligt eller bytas ut av en auktoriserad serviceverkstad om inte något annat anges i denna bruksanvisning. Låt en auktoriserad serviceverkstad byta ut trasiga strömbrytare. Använd inte dammsugaren om strömbrytaren inte sätter på eller stänger av den.
23. **RESERVDELAR.** Vid service ska endast identiska reservdelar användas.
24. **FÖRVARA DAMMSUGARE SOM INTE ANVÄNDS.** Dammsugaren ska förvaras inomhus när den inte används.
25. Blöta filter och insidan av vätskebehållaren ska torkas innan förvaring.
26. Ta hand om din dammsugare. Hård hantering kan orsaka skada på även den mest robust byggda dammsugare.
27. Rengör inte ut- eller insidan med bensin, thinner eller rengörande kemikalier. Det kan orsaka sprickor och missfärgning.
28. Använd inte dammsugaren i ett slutet rum där lättantändliga, explosiva eller giftiga ångor avges från oljebaserad färg, thinner, bensin, malbehandlingsmedel etc., eller i områden där lättantändligt damm finns.
29. Lämna inte kvar dammsugarkabeln på golvet efter avslutad städning. Någon kan snubbla på den eller så kan det skada dammsugaren.
30. Använd inte dammsugaren eller annan maskin under påverkan av droger eller alkohol.
31. Som en grundläggande säkerhetsregel ska skyddkorgsglasögon eller skyddsglasögon med sidoskydd användas.
32. Använd en dammask under dammiga förhållanden.
33. Denna utrustning är inte avsedd för användning av personer med nedsatta fysiska, sensoriska eller mentala förmågor, eller som brister i erfarenhet eller kunskap.
34. Barn skall övervakas så att de inte leker med dammsugaren.
35. Hantera aldrig strömkabeln eller dammsugaren med blöta händer.
36. Var mycket försiktig vid rengöring av trappor.
37. Använd inte dammsugaren som sittplats eller arbetsbänk. Maskinen skulle kunna ramlas omkull och orsaka personskada.

Användning och underhåll av batteridrivna maskin

1. Ladda endast med den laddare som angivits av tillverkaren. En laddare som passar en typ av batteri kan skapa risk för brand när den används tillsammans med annan typ av batteri.
2. Använd endast maskiner tillsammans med tillhörande batterier. Om andra batterier används kan risken för personskada och brand öka.
3. När batteriet inte används bör det hållas borta från andra metallföremål som till exempel gem, mynt, nycklar, spik, skruv och andra små metallföremål som kan skapa en anslutning mellan polerna. Kortslutning av batteripolerna kan orsaka brännskador.
4. Under hårda förhållanden kan det komma vätska ur batteriet. Undvik kontakt. Spola med vatten om kontakt ändå råkar uppstå. Om vätskan kommer i kontakt med ögonen bör läkare uppsökas. Vätska från batteriet kan orsaka irritation på huden eller ge brännskador.

BEHÅLL FÖR FRAMTIDA BRUK

⚠ VARNING: GLÖM INTE att noggrant följa säkerhetsanvisningarna för maskinen även efter det att du har blivit van att använda den. **OVARSAM** hantering eller underlåtenhet att följa säkerhetsanvisningarna i denna bruksanvisning kan leda till allvarliga personskador.

VIKTIGA SÄKERHETSANVISNINGAR

FÖR BATTERIKASSETT

1. Innan batterikassetten används ska alla instruktioner och varningsmärken på (1) batteriladdaren, (2) batteriet och (3) produkten läsas.
2. Montera inte isär batterikassetten.
3. Om driftstiden blivit avsevärt kortare ska användningen avbrytas omedelbart. Det kan uppstå överhettning, brännskador och t o m en explosion.

4. Om du får elektrolyt i ögonen ska de sköljas med rent vatten och läkare uppsökas omedelbart. Det finns risk för att synen förloras.
5. Kortslut inte batterikassetten.
 - (1) Rör inte vid polerna med något strömförande material.
 - (2) Undvik att förvara batterikassetten tillsammans med andra metallobjekt som t ex spikar, mynt etc.
 - (3) Skydda batteriet mot vatten och regn. Ett kortslutet batteri kan orsaka ett stort strömflöde, överhettning, risk för brännskador och maskinen kan till och med gå sönder.
6. Förvara inte maskinen och batterikassetten på platser där temperaturen kan nå eller överstiga 50°C (122°F).
7. Bränn inte upp batterikassetten även om den är svårt skadad eller helt utsliten. Batterikassetten kan explodera i öppen eld.
8. Var försiktig så att du inte råkar tappa batteriet och utsätt det inte för stötar.
9. Använd inte ett skadat batteri.
10. Litiumjonbatterierna som ingår lyder under kraven i lagen för farligt gods.

Vid kommersiella transporter av t.ex. tredje part, speditörer, måste de särskilda krav som anges på emballage och märkningar följas.

För förberedelse av de föremål som ska transporteras krävs att man konsulterar en expert på farligt material. Även mer detaljerade nationella bestämmelser ska följas.

Tejpa för eller maskera öppna kontakter och förpacka batteriet så att det inte kan flyttas runt i förpackningen.
11. Följ lokala föreskrifter beträffande avfallshandling av batteriet.

SPARA DESSA ANVISNINGAR.

⚠FÖRSIKTIGHET: Använd endast Makitas originalbatterier.

Om andra batterier än de från Makita används eller om batterierna har förändrats kan det resultera i brand, personskador och andra skador. Dessutom blir även Makita-garantin för maskinen och laddaren från Makita ogiltig.

Tips för att uppnå batteriets maximala livslängd

1. Ladda batterikassetten innan den är helt urladdad. Sluta att använda maskinen och ladda batterikassetten när du märker att kraften avtar.
2. Ladda aldrig en fulladdad batterikasset. Överladdning förkortar batteriets livslängd.
3. Ladda batterikassetten vid rumstemperatur mellan 10°C och 40°C (50°F - 104°F). Låt en varm batterikasset svalna innan den laddas.
4. Ladda batterikassetten om du inte använder den under en lång tidsperiod (mer än sex månader).

FUNKTIONSBSKRIVNING

Användning med nätström:

⚠VARNING:

- Se alltid till att dammsugaren är avstängd innan du ansluter den till eluttaget. I annat fall kan det orsaka en oavsiktlig start vilket kan resultera i allvarlig personskada.

► **Fig.1:** 1. Stickpropp (formen och kabellängden kan variera mellan olika länder)

Anslut kontakten till ett eluttag.

► **Fig.2:** 1. Strömindikator

Strömindikatorn tänds när du vrider standbyknappen till "I"-sidan.

OBS:

- Även vid likströmsläge växlar maskinen automatiskt till nätströmsläge när den ansluts.
- Om maskinen kopplas bort under användning när batteriet är isatt ställs dammsugaren i standbyläge.

Användning med batteri:

Montera eller demontera batterikassetten

⚠FÖRSIKTIGT:

- Se alltid till att dammsugare är avstängd, bortkopplad och att batterikassetten är borttagen innan du justerar eller kontrollerar maskinens funktioner.
- **Håll stadigt i damsgugaren och batterikassetten när du installerar eller tar bort batterikassetten.** Om du inte håller stadigt i damsgugaren och batterikassetten kan de halka ur dina händer och skadas samt orsaka personskada.
- **Var försiktig så att du inte klämmer fingrarna när du öppnar eller stänger batteriluckan.** I annat fall kan det orsaka personskada.

► **Fig.3:** 1. Lås 2. Batterihölje

För att sätta in batterikassetten låser du först upp låset och öppnar batteriluckan. Sätt sedan in batterikassetten.

► **Fig.4:** 1. Batterikasset

Rikta in tungan på batterikassetten mot spåret i höljet och skjut den på plats. För den in hela vägen tills den låses fast med ett klick. Lås därefter batteriluckan. Ta bort batterikassetten genom att skjuta ner knappen på kassetens framsida samtidigt som du drar ut batterikassetten.

OBS:

- Ta bort dammsugarens kontakt från förlängningssladdens när du använder dammsugaren med batterier.

⚠FÖRSIKTIGT:

- För alltid helt in batterikassetten på plats. I annat fall kan den oväntat falla ur maskinen och skada dig eller någon annan.
- Montera inte batterikassetten med våld. Om kassetten inte lätt glider på plats är den felisatt.

OBS:

- Dammsugaren fungerar inte med endast en batterikassett.

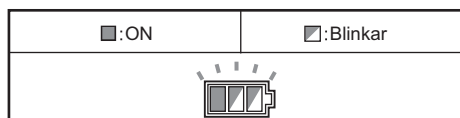
Skyddssystem för maskinen/batteriet

Maskinen är utrustad med ett maskin-/batteriskyddssystem. Detta system bryter automatiskt strömmen till motorn för att förlänga maskinens och batteriets livslängd.

Maskinen stannar automatiskt under användningen om den eller batteriet hamnar i en av följande situationer. I vissa situationer tänds indikatorerna.

Överbelastningskydd

Om maskinen överbelastas stoppar den automatiskt. Om detta sker stänger du av maskinen och upphör med arbetet som gjorde att den överbelastades. Starta där-efter upp maskinen igen.

Överhettningsskydd för maskinen

När maskinen blir överhettad stannar den automatiskt och batteriindikatorn blinkar i cirka 60 sekunder. I detta fall låter du maskinen svalna innan du startar den igen.

Överurladdningskydd

När batteriets kapacitet är låg stoppar maskinen automatiskt. Om produkten inte fungerar trots att knapparna fungerar som de ska tar du bort batterierna från maskinen och laddar dem.

Indikering av återstående batterikapacitet

► **Fig.5:** 1. CHECK-knapp

► **Fig.6**

Tryck på kontrollknappen för att batteriindiker-
ringarna ska visa återstående batterikapacitet.
Batteriindikeringarna motsvarar varje batteri.

Indikering av återstående batterikapacitet

Batteriindikator, status	Återstående batterikapacitet
<input checked="" type="checkbox"/> :ON <input type="checkbox"/> :OFF <input checked="" type="checkbox"/> :Blinkar	
	50 % - 100 %
	20 % - 50 %
	0 % - 20 %
	Ladda batteriet

Indikerar kvarvarande batterikapacitet

Endast för batterikassetter med indikator

► **Fig.7:** 1. Indikatorlampor 2. Kontrollknapp

Tryck på kontrollknappen på batterikassetten för att se kvarvarande batterikapacitet. Indikatorlamporna lyser i ett par sekunder.

Indikatorlampor			Kvarvarande kapacitet
Upplyst	Av	Blinkar	
			75% till 100%
			50% till 75%
			25% till 50%
			0% till 25%
			Ladda batteriet.
			Batteriet kan ha skadats.

OBS: Beroende på användningsförhållanden och den omgivande temperaturen kan indikationen skilja sig lätt från den faktiska batterikapaciteten.

Avtryckarens funktion

► **Fig.8:** 1. Standbyknapp 2. Strömbrytare
3. Justeringsknapp för sugstyrka

Starta dammsugaren:

1. Vrid standbyknappen till "I"-sidan. Dammsugaren ställs i standbyläge.
2. Tryck på strömbrytaren.

Tryck en gång till på strömbrytaren för att ställa dammsugaren i standbyläge.

Om du vill stänga av dammsugaren vrider du standbyknappen till "O"-sidan.

Sugkraften kan justeras efter ditt arbete.

Sugkraften ökar genom att vrida justeringsratten för sugstyrka från symbolen till symbolen .

OBS:

- Ställ alltid standbyknappen på "O"-sidan när du inte ska använda dammsugaren under en längre period. Dammsugare drar ström i standbyläge.

Automatiskt sugstopp under våtsugning (för modeller med tygfilter)

⚠ VARNING:

- Använd den inte under lång tid medan flottören arbetar. I annat fall kan det orsaka överhettning vilket resulterar i att dammsugaren deformerar.
- Sug inte upp skum eller tvällösning. I annat fall kan det leda till att skum kommer ut ur luftutgången innan flottören arbetar. Att fortsätta använda dammsugaren under detta förhållande kan orsaka elektrisk stöt och att dammsugaren går sönder.

Automatiskt sugstopp fungerar endast när flottören och flottörhållaren används.

Dammsugaren har en flytmekanism som förhindrar att vatten tränger in i motorn när det sugs upp mer än en viss mängd vatten.

När tanken är full och dammsugaren inte längre suger upp vatten ska dammsugaren stängas av och tanken tömmas.

Lås eller lås upp hjulet

► Fig.9: 1. Hjul 2. Låsreglage 3. FRILÅGE 4. Låst läge

För att låsa hjulet med ett stopp sänker du stoppreglaget och hjulet är låst. Frigör hjulet genom att lyfta upp stoppreglaget.

Att låsa hjulen är bekvämt när dammsugaren förvaras, när arbetet stannar av och för att hålla dammsugaren stilla.

Flytta stoppreglaget för hand.

OBS:

- Kontrollera så att hjulen inte är låsta när du flyttar dammsugaren. I annat fall kan det skada hjulen.

Bärhandtag

► Fig.10

När du bär dammsugaren ska du hålla i handtaget på dammsugarens överdel. Handtaget kan fällas in på överdelen när det inte används.

BESKRIVNING AV DELAR

Modell DVC860L

(Modell med tygfilter (för torrt och vått damm))

► Fig.11: 1. Tankhölje 2. Flottör 3. Flottörhållare 4. Förfilter 5. Tank

Modell DVC861L

(Modell med dammfilter (för torrt damm))

► Fig.12: 1. Tankhölje 2. Dammfilter (HEPA) 3. Stötdämpare 4. Förfilter 5. Tank

MONTERING

⚠ FÖRSIKTIGT:

- Se alltid till att dammsugaren är avstängd och att batterikassetten är borttagen innan du utför något arbete på dammsugaren.
- Använd alltid en dammskyddsmask under montering eller underhåll.

Montering av dammfilter (HEPA) och förfilter (för torrt damm)

Tillbehör för modell med tygfilter

⚠ FÖRSIKTIGT:

- Sug aldrig upp vatten eller andra vätskor eller vått damm när dammfiltret används. Om sådant sugs in kan det medföra att dammfiltret går sönder.

► Fig.13: 1. Tankhölje 2. Dammfilter (HEPA) 3. Stötdämpare 4. Förfilter 5. Tank 6. Markering för monteringsläge

► Fig.14: 1. Flottör 2. Flottörhållare

För att använda dammfiltret tar du bort flottörhållaren och flottören genom att ta bort skruvarna.

Placera förfiltret i tanken.

Montera sedan stötdämparen på dammfiltret och placera dem sedan i förfiltret.

Vid montering av dammfilter och förfilter ska markeringen för monteringsläget på var och en av dem vara i linje med den som finns högst upp på tanken.

Montera slutligen tankhöljet och lås det.

OBS:

- Innan dammfiltret används ska du kontrollera att förfiltret och stötdämparen alltid används tillsammans. Det är inte tillåtet att endast montera dammfiltret.

Montera vattenfiltret (för modell med tygfilter) (valfritt tillbehör)

⚠ FÖRSIKTIGT:

- Sug aldrig upp vatten eller vått damm utan flottören och tygfiltret eller vattenfiltret.
- För att suga upp vått damm ser du till att flottörhållaren och flottören är isatta i dammsugaren.
- Vid montering av vattenfiltret på tanken ska det fästas tätt på tankens öppning så att vattenfiltrets hake fäster ordentligt och att det inte finns något mellanrum mellan vattenfiltret och tanken.

OBS:

- Du rekommenderas att använda vattenfiltret när du upprepad gångar tar upp stora mängder vatten. Om tygfiltret används blir sugförmågan sämre.

► Fig.15: 1. Vattenfilter 2. Tank 3. Markering för monteringsläge

För att suga upp vatten eller endast vått damm är vattenfiltret lämpligare än tygfiltret.

Vid montering av vattenfiltret ska du rikta in dess markering för monteringsläge med motsvarande markering på tanken.

Montering av pappersbehållaren (valfritt tillbehör)

⚠ VARNING:

- När pappersbehållaren används ska även tygfiltreret eller förfiltret användas som finns förmonterat på maskinen. I annat fall kan det orsaka onormalt buller och hetta vilket leder till brand.

⚠ FÖRSIKTIGT:

(För modell med tygfilter)

- Sug aldrig upp vatten eller andra vätskor eller blött damm när pappersbehållare används. I annat fall kan det ta sönder pappersbehållaren.
- Innan pappersbehållaren används ska du se till att även dammfiltret (valfritt tillbehör), stötdämparen (valfritt tillbehör) och förfiltret alltid används.

(För modell med dammfilter)

- Innan pappersbehållaren används ska du kontrollera att dammfiltret, stötdämparen och förfiltret alltid används tillsammans.

1. Ta bort gummihandtaget.

► **Fig.16:** 1. Gummihandtag

2. Veckla ut pappersbehållaren.
3. Rikta in öppningen på pappersbehållaren med öppningen på dammsugarens dammsug.
4. För in pappersbehållarens kartongpapp på hållaren så att den är placerad vid slutet, bakom den utskjutande spärrhaken.

► **Fig.17:** 1. Pappersbehållare 2. Hållare

Montering av polyetylenpåsen

Dammsugare kan också användas utan polyetylenpåse. Men genom att använda en polyetylenpåse är det lättare att tömma tanken utan att smutsa ner händerna.

► **Fig.18:** 1. Hållarplatta 2. Polyetylenpåse

Veckla ut polyetylenpåsen i tanken. Sätt i den mellan hållarplattan och tanken, och dra den till slangintaget. Sprid ut påsen runt tankens ovansida så att förfilterkanalen kan fånga och hålla fast påsen.

OBS:

- Polyetylenpåsar som finns i handeln kan användas. 0,04 mm eller grövre rekommenderas.
- För mycket damm tar lätt sönder påsen, så fyll inte påsen mer än till hälften.

Töm polyetylenpåsen

⚠ VARNING:

- Se alltid till att dammsugaren är avstängd och att kabeln inte är ansluten i eluttaget innan du tömmer påsen. I annat fall kan det orsaka en elektrisk stöt och allvarlig personskada.

⚠ FÖRSIKTIGT:

- Anlägg inte ett stort tryck på flottörhållaren och tanken. Om du lägger på ett stort tryck kan det orsaka deformation av och skada på delarna.
- Töm tanken åtminstone en gång per dag, även om detta beror på den uppsugna mängden i tanken. Annars kan sugkraften minska och motorn kan gå sönder.
- Ta inte tag i haken när du tömmer tanken. I annat fall kan haken gå sönder.

Lossa hakarna och lyft upp tankhöljet.

► **Fig.19**

Skaka av damm från tygfiltret/dammfiltret och ta sedan ut polyetylenpåsen ur tanken.

OBS:

- Ta försiktigt ut polyetylenpåsen ur tanken så att den inte fångas upp och går sönder av den utskjutande delen på insidan av tanken när påsen ska tömmas.
- Töm polyetylenpåsen innan den blir full. För mycket damm i tanken kan leda till att polyetylenpåsen går sönder.

Montera verktygsfacket

► **Fig.20**

1. Lås upp låset på batteriluckan och öppna luckan.
2. Placera skenorna på verktygsfacket längs med skärorna på höljet.
3. Stäng batteriluckan och lås den.

► **Fig.21**

Verktygsfacket är praktiskt vid förvaring av batterier, förlängningssladd, rör eller kopplingar.

Anslutning av slangen

⚠ FÖRSIKTIGT:

- Böj aldrig slangen med tvång eller trampa på den. Förflytta aldrig dammsugaren genom att dra i slangen. Att tvinga, trampa på eller att dra i slangen kan ta sönder eller deformera den.
- Vid uppsugning av stora bitar såsom hyvelspån, betongdamm eller liknande ska slangen med en innerdiameter på 38 mm (valfritt tillbehör) användas. Om slangen med en innerdiameter på 28 mm används kan den blockeras och orsaka skada.

► **Fig.22**

Trä på slangen på monteringsöppningen på tanken och vrid den medurs tills den låser fast.

UNDERHÅLL

⚠ FÖRSIKTIGT:

- Se alltid till att maskinen är avstängd, bortkopplad och att batterikassetten är borttagen innan inspektion eller underhåll utförs.

Förvaring av strömkabeln

► Fig.23

Du kan linda upp strömkabeln runt verktygsfacket.

Förvaring av tillbehör

► Fig.24

► Fig.25

Rören kan placeras i rörhållaren när dammsugaren inte används under en kortare period.

► Fig.26

Slangen kan förvaras runt maskinen genom att båda ändarna ansluts.

Rengöring

⚠ FÖRSIKTIGT:

- Använd inte bensin, thinner, alkohol eller liknande. Missfärgning, deformation eller sprickor kan uppstå.

Rengöra tygfiltert

Endast för modell med tygfilter

► Fig.27

Igensatt tygfilter ger dålig sugförmåga.

Rengör tygfiltert med jämna mellanrum.

Skaka rambotten snabbt flera gånger för att avlägsna damm och partiklar som fastnat på tygfiltert.

Rengöring av dammfilter (HEPA) och förfilter

Endast för modell med dammfilter

Igensatt dammfilter, förfilter och stötdämpare orsakar dålig sugfunktion.

Rengör filtren och stötdämparna då och då.

Skaka rambotten snabbt flera gånger för att avlägsna damm och partiklar som fastnat på filtren.

► Fig.28

Tvätta dammfiltert då och då i vatten, skölj och torka noggrant i skuggan före användning. Tvätta aldrig filtren i tvättmaskinen.

OBS:

- Skrubba inte eller skrapa på dammfiltert, förfiltert eller stötdämparen med hårda föremål såsom en borste eller spatel.
- Filter slits ut med tiden. Du rekommenderas att ha några i reserv för dem.

För att upprätthålla produktens SÄKERHET och TILLFÖRLITLIGHET bör allt underhålls- och justeringsarbete utföras av ett auktoriserat Makita servicecenter och med reservdelar från Makita.

VALFRIA TILLBEHÖR

⚠ FÖRSIKTIGT:

- Dessa tillbehör och tillsatser rekommenderas för användning tillsammans med den Makita-maskin som denna bruksanvisning avser. Om andra tillbehör eller tillsatser används kan det uppstå risk för personskador. Använd endast tillbehören eller tillsatserna för de syften de är avsedda för.

Kontakta ditt lokala Makita servicecenter om du behöver ytterligare information om dessa tillbehör.

- Makitas originalbatteri och -laddare
- Slang
- Främre kopplingar (22, 24, 38)
- Rakt rör
- Hörnmunstycke
- Rund borste
- Dammfilter, HEPA (för torrt damm)
- Stötdämpare
- Förfilter
- Munstycke
- Vinklat rör
- Polyetylenpåse
- Vattenfilter (valfritt för modell med tygfilter)
- Pappersbehållare
- Hållarsats

OBS:

- Några av tillbehören i listan kan vara inkluderade i maskinpaketet som standardtillbehör. De kan variera mellan olika länder.

ADVARSEL

Dette apparatet kan brukes av barn fra 8 år og oppover og av personer med reduserte fysiske, sensoriske eller mentale evner eller mangel på erfaring og kunnskap, såfremt de holdes under oppsyn, har blitt gitt instruksjoner om sikker bruk av apparatet og forstår farene som er involvert. Barn skal ikke leke med apparatet. Rengjøring og brukervedlikehold skal ikke utføres av barn uten oppsyn.

TEKNISKE DATA

Modell		DVC860L	DVC861L
Standard filtertype		Stofffilter (for tørt og vått støv)	Pulverfilter (for tørt støv)
Volumflyt (luft)	DC-drift (med BL1830, ø38 mm x 2,5 m slange)	2,1 m ³ /min	
	AC-drift (med ø38 mm x 2,5 m slange)	3,6 m ³ /min	
Vakuum	DC-drift (med BL1830, ø38 mm x 2,5 m slange)	90 hPa	
	AC-drift (med ø38 mm x 2,5 m slange)	240 hPa	
Kapasitet	Støv	8 L	
	Vann	6 L	-
Mål (L x B x H)		366 mm x 334 mm x 368 mm	
Standardspenning (drift med batterier)		DC 36 V	
Standardbatterier		BL1815N, BL1820, BL1820B, BL1830, BL1830B, BL1840, BL1840B, BL1850, BL1850B, BL1860B	
Nettovekt (med BL1815N / BL1820)		8,6 kg	9,3 kg
Nettovekt (med BL1830 / BL1840 / BL1850)		9,2 kg	9,9 kg
Sikkerhetsklasse		□/II	

- Som følge av vårt kontinuerlige forsknings- og utviklingsprogram kan de tekniske dataene endres uten ytterligere forvarsel.
- Tekniske data kan variere fra land til land.
- Vekt, med batteri, i henhold til EPTA-prosedyre 01/2003
- Flottøren og vannfilteret eller stofffilteret er nødvendig for vått støv.

Symboler

Nedenfor ser du symbolene som brukes for dette utstyret. Forviss deg om at du forstår hva de betyr, før du begynner å bruke maskinen.



Les bruksanvisningen.



Vær spesielt forsiktig og oppmerksom.



Advarsel! Støvsugeren kan inneholde farlig støv.



Aldri stå på støvsugeren.



Støvklasse L (lett). Støvsugeren er i stand til å ta opp støv i klasse L. Følg landets forskrifter i forhold til støvtyper og yrkesmessig helse og sikkerhet.



DOBBEL ISOLERING



Kun for EU-land
Kast aldri elektriske produkter eller batteripakker i husholdningsavfallet!
I henhold til EU-direktivene om kasserte elektriske og elektroniske produkter, og om batterier og akkumulatører og brukte batterier og akkumulatører og direktivens iverksettning i nasjonal rett, må elektriske produkter og batterier og batteripakker som ikke lenger skal brukes, samles separat og returneres til et miljøvennlig gjenvinningsanlegg.

Beregnet bruk

Denne maskinen er laget for å samle opp både vått og tørt støv. Maskinen er egnet for kommersiell bruk, f.eks. på hoteller, sykehus, kontorer, fabrikker, butikker, og i utleievirksomhet.

Strømforsyning

Maskinen må bare kobles til en strømkilde med samme spenning som vist på typeskiltet, og kan bare brukes med enfase-vekselstrømforsyning. Den er dobbelt verneisoleret og kan derfor også brukes fra kontakter uten jording.

Støy

Typisk A-vektet lydtryknivå er bestemt i henhold til EN/IEC60704:

Lydtryknivå (L_{pA}): 75 dB (A)

Usikkerhet (K): 2,5 dB (A)

Støynivået under arbeid kan overskride 80 dB (A).

Bruk hørselvern

Vibrasjon

Den totale vibrasjonsverdien (triaksial vektorsum) bestemt i henhold til IEC 60335-2-69:

Genererte vibrasjoner (a_{hv}): 2,5 m/s² eller mindre

Usikkerhet (K): 1,5 m/s²

Gjelder bare land i Europa

EF-samsvarserklæring

Makita erklærer at følgende maskin(er):

Maskinbetegnelse:

Støvsuger med og uten ledning

Modellnr./type: DVC860L, DVC861L

Samsvarer med følgende europeiske direktiver:

2006/42/EC

De er produsert i henhold til følgende standarder eller standardiserte dokumenter:

EN60335

Den tekniske filen i samsvar med 2006/42/EF er tilgjengelig fra:

Makita, Jan-Baptist Vinkstraat 2, 3070, Belgia

25.9.2014

Yasushi Fukaya
Direktør

Makita, Jan-Baptist Vinkstraat 2, 3070, Belgia

SIKKERHETSADVARSLER FOR STØVSUGERE MED OG UTEN LEDNING

⚠ADVARSEL! VIKTIG. LES NØYE alle sikkerhetsadvarsler og instruksjoner FØR BRUK. Hvis du ikke følger alle advarslene og instruksjonene som er oppført nedenfor, kan det føre til elektrisk støt, brann og/eller alvorlige helseskader.

1. Støvsugeren skal kun benyttes av personer som har fått tilstrekkelig opplæring i hvordan den skal brukes.
2. Slå av umiddelbart hvis det kommer ut skum eller væske.
3. Innretningen for kontroll av vannnivå må med jevne mellomrom rengjøres og undersøkes for tegn på skader.
4. Ikke bruk støvsugeren uten filter. Hvis filteret er skadet, må det skiftes ut umiddelbart.
5. BRUK AV SKJØTELEDNING. Hvis det er nødvendig å bruke skjøteledning, bør du velge en ledning som er tilstrekkelig tykk men ikke for lang. Effekten til støvsugeren vil ellers bli redusert. Hvis støvsugeren skal brukes ute, må du velge en skjøteledning som er egnet for utendørs bruk.
6. SPENNINGSFARE: Før du kobler støvsugeren til en strømkilde (kontakt, osv.), må du forsikre deg om at spenningen er den samme som blir angitt på typeskiltet til støvsugeren. Hvis det brukes høyere spenning enn det som er angitt for støvsugeren, kan både brukeren og støvsugeren få ALVORLIGE SKADER. IKKE KOBLE TIL STØVSUGEREN hvis du er usikker på spenningen. Hvis støvsugeren drives med lavere spenning enn det som er angitt på typeskiltet, vil motoren ta skade.
7. PASS PÅ AT STØVSUGEREN IKKE STARTES OPP UTILSIKTET. Kontroller at bryteren er AV når du setter i støpselet.
8. Ikke bruk støvsugeren på brennbart materiale, fyrverkeri, tente gassetter, varm aske, varme metallsporer, skarpe materialer som f.eks. barberblader, nåler, knust glass eller lignende.
9. ALDRI BRUK STØVSUGEREN I NÆRHETEN AV BENSIN, GASS, MALING, LIM ELLER ANDRE HØYEKSPLOSIVE STOFFER. Bryteren slår gnister når den slås PÅ og AV. Det samme gjør kommutatormotoren når den er i bruk. Dette kan forårsake en farlig eksplosjon.
10. Aldri bruk støvsugeren på giftige, kreftfremkallende, brennbare eller andre farlige materialer som f.eks. asbest, arsen, barium, beryllium, bly, skadedyrsmidler eller andre helseskadelige stoffer.
11. Aldri bruk støvsugeren utendørs i regnvær.
12. Ikke bruk støvsugeren nær varmekilder (for eksempel ovner).
13. VERN MOT ELEKTRISK STØT. Unngå kroppskontakt med jordede overflater, som for eksempel rør, radiatorer, komfyrer og kjøleskap.
14. Ikke blokker ventilasjonsåpningene. Disse åpningene er der for å kjøle motoren. Hvis ventilasjonsåpningene tilstoppes, vil motoren bli overopphetet.
15. Pass på alltid å være i balanse og ha godt fotfeste.

16. **VÆR FORSIKTIG NÅR DU HÅNTERER LEDNINGEN.** Støvsugeren skal aldri bæres etter ledningen. Når du trekker ut støpselet av kontakten, er det viktig at du holder i støpselet i stedet for å dra i ledningen. Hold kablen unna varme, olje og skarpe kanter. Inspiser ledningene med jevne mellomrom, og få dem reparert av et autorisert serviceverksted hvis de er skadet. Inspiser skjøteledningene med jevne mellomrom og skift dem ut hvis de er skadde.
17. Ikke brett, rykk i eller trakk på slangen.
18. Slå av støvsugeren umiddelbart hvis den oppfører seg unormalt (f.eks. hvis effekten er svak).
19. **KOBLE FRA STØVSUGEREN.** Støvsugeren skal være frakoblet når den ikke er i bruk, før utføring av service-/reparasjonsarbeid, og ved bytte av tilbehør.
20. For å holde støvsugeren i tipp topp stand er det viktig at du rengjør og vedlikeholder den etter hver bruk.
21. **VÆR NØYE MED VEDLIKEHOLD AV STØVSUGEREN.** Rengjør støvsugeren for å holde den i sikker og god stand. Følg instruksjonene for bytte av tilbehør. Hold håndtakene tørre, rene og fri for olje og smørefett.
22. **KONTROLLER SKADDE DELER.** Før videre bruk av støvsugeren må du foreta en grundig sjekk av ev. skadde deler, som f.eks. vern eller lignende, for å fastslå om de vil fungere som de skal. Kontroller at bevegelige deler beveger seg riktig i forhold til hverandre, at bevegelige deler kan bevege seg fritt, om noen deler er brukket, om monteringen er som den skal, eller om andre forhold kan påvirke hvordan støvsugeren vil fungere. Et vern eller en annen del som er skadet, må repareres eller skiftes ut hos et autorisert servicesenter, med mindre noe annet er angitt i denne bruksanvisningen. Sørg for at defekte brytere skiftes ut hos et autorisert servicesenter. Ikke bruk støvsugeren hvis AV/PA-bryteren er defekt.
23. **RESERVEDELER.** Ved utføring av vedlikeholdsarbeid skal det kun brukes identiske reservedeler.
24. **OPPBEVARING.** Støvsugeren oppbevares innendørs når den ikke er i bruk.
25. Våte filtre og den innvendige delen av væskebeholderen skal tørkes før oppbevaring.
26. Vær forsiktig når du håndterer støvsugeren. Hardhendt og uforsiktig håndtering kan forårsake skader på støvsugeren.
27. Ikke bruk bensin, tynningsmidler eller kjemiske rengjøringsmidler for å rengjøre støvsugeren innvendig eller utvendig. Dette kan forårsake sprekker og misfarging.
28. Ikke bruk støvsugeren i områder med brennbar støv, eller i lukkede rom hvor oljebasert maling, malingstynner, bensin, møllmidler eller lignende avgir brennbar, eksplosiv eller giftig damp.
29. Ikke la ledningen ligge igjen på gulvet når du er ferdig med å støvsuge, da det ellers er fare for at noen kan snuble i den.
30. Ikke bruk denne støvsugeren eller andre verktøy hvis du er under påvirkning av alkohol, narkotiske stoffer eller sterke legemidler.
31. Alltid bruk vernebriller eller briller med sidebeskyttelse.
32. Bruk støvmaske hvis det er mye støv der du jobber.
33. Denne maskinen skal ikke brukes av personer med reduserte fysiske, sensoriske eller mentale evner, eller personer som mangler erfaring og kunnskap.
34. Små barn bør passes på for å sikre at de ikke leker med støvsugeren.
35. Aldri håndter ledningen eller støvsugeren mens du er våt på hendene.
36. Vær svært forsiktig når du bruker støvsugeren i trapper.
37. Ikke bruk støvsugeren som en krakk eller arbeidsbenk. Den kan falle ned, noe som kan føre til personskade.

Batteriverktøy – bruk og omsorg

1. Batteriet må kun lades opp igjen med en lader angitt av produsenten. En lader som passer til én batteritype, kan være brannfarlig når den brukes med en annen batteritype.
2. Bruk elektroverktøy kun med spesifikt angitte batterier. Hvis det brukes et hvilket som helst annet batteri, kan det utgjøre en fare for helse-skader og brann.
3. Når batteriet ikke er i bruk, må det holdes vekk fra andre metallgjenstander som binders, mynter, nøkler, spiker, skruer eller andre små metallgjenstander som kan lage en forbindelse fra en terminal til en annen. Kortslutning av batteriterminaler kan føre til forbrenning.
4. Hvis batteriet utsettes for hardhendt bruk, kan væske komme til å sprute fra batteriet. Unngå kontakt med væsken. Hvis du kommer i kontakt med batterivæske, må du skylle med vann. Hvis du får batterivæske i øynene, må du i tillegg oppsøke lege. Væske fra batteriet kan forårsake irritasjon eller forbrenninger.

OPPBEVAR FOR FREMTIDIG REFERANSE

⚠ ADVARSEL: Selv om du har brukt produktet mye og føler deg fortrolig med det, er det likevel svært viktig at du følger nøye de retningslinjene for sikkerhet som er utarbeidet for dette produktet. MISBRUK av verktøyet eller mislighold av sikkerhetsreglene i denne brukerhåndboken kan resultere i alvorlige helseskader.

VIKTIGE SIKKERHETSINSTRUKSJONER

FOR BATTERIET

1. Før du begynner å bruke batteriet, må du lese alle anvisninger og forsiktighetsregler på (1) batteriladeren, (2) batteriet og (3) det produktet batteriet skal brukes i.
2. Ikke ta fra hverandre batteriet.
3. Hvis driftstiden er blitt vesentlig kortere, må du omgående slutte å bruke maskinen. Hvis ikke kan resultatet bli overoppheting, mulige forbrenninger eller til og med en eksplosjon.

4. Hvis du får elektrolytt i øynene, må du skylle dem med store mengder rennende vann og oppsøke lege med én gang. Denne typen uhell kan føre til varig blindhet.
5. Ikke kortslutt batteriet.
 - (1) Ikke berør batteripolene med ledende materialer.
 - (2) Ikke lagre batteriet i samme beholder som andre metallgjenstander, som for eksempel spiker, mynter osv.
 - (3) Ikke la batteriet komme i kontakt med vann eller regn.

En kortslutning av batteriet kan føre til et kraftig strømstøt, overoppheting, mulige forbrenninger og til og med til at batteriet går i stykker.
6. Ikke lagre maskinen og batteriet på steder hvor temperaturen kan komme opp i eller overskride 50 ° C (122 ° F).
7. Ikke sett fyr på batteriet, ikke engang om det er sterkt skadet eller helt utslitt. Batteriet kan eksplodere hvis det begynner å brenne.
8. Vær forsiktig så du ikke mister batteriet eller utsetter det for slag.
9. Ikke bruk batterier som er skadet.
10. De inkluderte litium-ion-batteriene er underlagt kravene i lovgivningen om farlig gods. For kommersielle transporter f.eks. via tredjeparter, transportagenter, må det følges spesielle krav vedrørende innpakning og merking. For klargjøring av gjenstanden som skal sendes, må du forhøre deg med en ekspert for farlige materialer. Overhold også mulige mer detaljerte nasjonale forskrifter. Tape eller masker åpne kontakter og pakk batteriet på en slik måte at det ikke kan bevege seg rundt i pakken.
11. Følg lokale bestemmelser for avhending av batterier.

TA VARE PÅ DISSE INSTRUKSENE.

⚠FORSIKTIG: Bruk kun originale Makita-batterier. Bruk av andre batterier enn originale Makita-batterier eller batterier som har blitt endret, kan føre til at batteriet sprekker og forårsaker brann, personskader og materielle skader. Det vil også gjøre Makitas garanti for Makita-verktøyet og -laderen ugyldig.

Tips for å opprettholde maksimal batterilevetid

1. Lad batteriet igjen før det er fullstendig utladet. Hold alltid opp å bruke maskinen når du merker at det er lite strøm på batteriet. Sett batteriet til lading.
2. Et helt oppladet batteri må aldri settes til ny lading. Overopplading forkorter batteriets levetid.
3. Lad batteriet ved romtemperatur ved 10 ° C - 40 ° C (50 ° F - 104 ° F). Hvis batteriet er varmt, må det få avkjøle seg før lading.
4. Lad batteriet hvis du ikke skal bruke det i lengre perioder (mer enn seks måneder).

FUNKSJONS BESKRIVELSE

Bruk med vekselstrøm:

⚠ADVARSEL:

- Kontroller at bryteren står i AV-posisjon før du kobler til støvsugeren. Hvis bryteren er satt til PÅ når du kobler til støvsugeren, kan den starte opp utilsiktet og forårsake alvorlige personskader.

► Fig.1: 1. Plugg (formen og ledningens lengde kan variere fra land til land)

Koble støpselet til en strømforsyning.

► Fig.2: 1. Vekselstrømindikator

Vekselstrømindikatoren lyser opp når du setter standby-bryteren til "I"-siden.

MERK:

- Verktøyet blir automatisk endret til vekselstrømmodus når plagget inn, selv under drift i likestrøm-modus.
- Støvsugeren går inn i standby-tilstand hvis verktøyet er frakoblet under drift med batteriet satt inn.

Brukes med batteri:

Sette inn eller ta ut batteri

⚠FORSIKTIG:

- Vær alltid sikker på at støvsugeren er slått av, kontakten er tatt ut og at batteriet er fjernet før du justerer eller sjekker funksjonen på verktøyet.
- Hold godt rundt støvsugeren og batteriet når du setter inn eller tar ut batteriet. Hvis du mister ned støvsugeren eller batteriet, kan dette forårsake personskader eller skader på støvsugeren/batteriet.
- Vær forsiktig så du ikke klemmer fingrene når du åpner eller lukker batteridekselet. Unnlattelse av dette kan føre til personskaade.

► Fig.3: 1. Låse 2. Batterideksel

For å installere batteriet åpner du låsen og deretter batteridekselet. Sett så inn batteriet.

► Fig.4: 1. Batteri

Juster kontaktfjæren på batteriet med sporet i huset, og sett det på plass. Sett det helt inn, helt til det låses på plass med et lite klikk. Lås deretter batteridekslet. For å ta ut batteriet må du skyve på knappen foran på batteriet og trekke det ut.

MERKNAD:

- Fjern pluggen til støvsugeren fra skjøteledningen når du bruker støvsugeren med batteriene.

⚠FORSIKTIG:

- Installer alltid batteriet fullstendig på plass. Hvis ikke kan det ved et uhell falle ut av verktøyet og skade deg eller noen rundt deg.
- Ikke bruk makt når du setter i batteriet. Hvis batteriet ikke glir lett inn, er det fordi det ikke settes inn på riktig måte.

MERK:

- Støvsugeren fungerer ikke med bare ett batteri.

Batterivernsystem for verktøy/ batteri

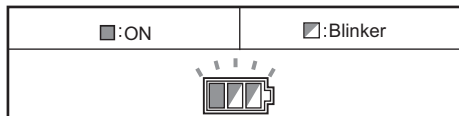
Verktøyet er utstyrt med et batterivernsystem for verktøy/batteri. Dette systemet slår automatisk av strømmen til motoren for å forlenge verktøyets og batteriets levetid.

Verktøyet vil automatisk stanses under drift hvis verktøyet eller batteriet settes i en av følgende tilstander. I enkelte tilstander vil det tennes indikatorlys.

Overlastsikring

Hvis verktøyet er overbelastet stopper motoren automatisk. Slå av maskinen og stopp programmet som forårsaket at verktøyet ble overbelastet, hvis dette skjer. Skru deretter på verktøyet for å starte på nytt.

Overopphetingsvern for verktøy



Når verktøyet er overopphetet stopper motoren automatisk og batteriindikatoren blinker i ca. 60 sekunder. I denne situasjonen må verktøyet kjøles ned før du slår det på, på nytt.

Overutladingsvern

Når det blir lite batteri igjen, stopper verktøyet automatisk. Hvis produktet ikke går selv om bryterne aktiveres, må du ta batteriene ut av verktøyet og lade batteriene.

Indikator for gjenværende batterikapasitet

► **Fig.5:** 1. CHECK-knapp

► **Fig.6**

Trykk på sjekk-knappen for å aktivere at batteriindikatoren viser gjenværende batterikapasitet. Batteriindikatorerne korresponderer til hvert batteri.

Indikator for gjenværende batterikapasitet

Status for batteriindikatoren	Gjenværende batterikapasitet
<input checked="" type="checkbox"/> :ON <input type="checkbox"/> :OFF <input type="checkbox"/> :Blinker	
	50 % - 100 %
	20 % - 50 %
	0 % - 20 %
	Lad batteriet

Indikere gjenværende batterikapasitet

Kun for batterier med indikatoren

► **Fig.7:** 1. Indikatorlamper 2. Kontrollknapp

Trykk på sjekk-knappen på batteriet for vise gjenværende batterikapasitet. Indikatorlampene lyser i et par sekunder.

Indikatorlamper			Gjenværende batterinivå
Tent	Av	Blinker	
			75 % til 100 %
			50 % til 75 %
			25 % til 50 %
			0 % til 25 %
			Lad batteriet.
			Batteriet kan ha en feil.



MERK: Det angitte nivået kan avvike noe fra den faktiske kapasiteten alt etter bruksforholdene og den omgivende temperaturen.

Bryterfunksjon

► **Fig.8:** 1. Stand-by-bryter 2. Strømknapp
3. Dreiebryter for justering av sugestyrke

For å starte støvsugeren:

1. Sett stand-by-bryteren til "I"-siden. Støvsugeren settes i stand-by-tilstand.
2. Trykk på strømknappen.
Trykk på strømknappen på nytt for å gjøre at støvsugeren settes i standby-modus.
Sett stand-by-bryteren til "O"-siden for å slå av støvsugeren.

Sugestyrken kan justeres etter behov. Du øker sugestyrken ved å vri dreiebryteren for justering av sugestyrke fra -symbolet til -symbolet.

MERKNAD:

- Sett alltid stand-by-bryteren til "O"-siden når du ikke bruker støvsugeren over lengre perioder. Støvsugeren bruker strøm i stand-by-tilstanden.

Auto-sug-stopp under våt sugedrift (for stofffilter-modell)

⚠ ADVARSEL:

- **Ikke bruk støvsugeren lenge når flyteventilen er aktiv.**Hvis dette gjøres, kan det oppstå overoppheting og skader på støvsugeren.
- **Ikke bruk støvsugeren på skum eller såpeholdig væske.**Dette kan føre til at det kommer ut skum fra ventilasjonsåpningene før flyteventilen blir aktivert. Hvis du da fortsetter å bruke støvsugeren, kan det oppstå elektrisk støt og støvsugeren kan bli ødelagt.

Auto-sug-stopp fungerer bare når du bruker den med flottøren og flyteburet. Støvsugeren er utstyrt med en flyteventil som hindrer at det kommer inn vann i motoren når vannmengden som suges opp overskrider et bestemt nivå. Når beholderen er full og støvsugeren ikke klarer å suge opp mer vann, slår du av støvsugeren og tømmer beholderen.

Låse eller låse opp et hjul

- **Fig.9:** 1. Trillehjul 2. Stoppehendel 3. FRI-stilling 4. Låst posisjon

Hvis du ønsker å låse hjulet, trykker du ned stopperen. Løft opp stopperen for å låse opp hjulet. Låsing av hjulene er praktisk ved oppbevaring, når du tar en pause i støvsugingen, og når du ønsker at støvsugeren skal stå stille. Flytt stopperen for hånd.

MERK:

- Pass på at hjulene ikke er låst når du flytter støvsugeren. Hvis du flytter støvsugeren mens hjulene er låst, kan hjulene bli skadet.

Vognhåndtak

- **Fig.10**

Hold støvsugeren i håndtaket på hodet når du bærer den. Håndtaket kan trekkes tilbake ved hodet når det ikke er i bruk.

DELEBESKRIVELSE

Model DVC860L

(Stofffilter-modell (for tørt og vått støv))

- **Fig.11:** 1. Deksel for beholderen 2. Flyt 3. Flytebur 4. Stofffilter 5. Tank

Model DVC861L

(Pulverfilter-modell (for tørt støv))

- **Fig.12:** 1. Deksel for beholderen 2. Pulverfilter (HEPA) 3. Demper 4. Forfilter 5. Tank

MONTERING

⚠ FORSIKTIG:

- Vær alltid sikker på at støvsugeren er slått av, kontakten er tatt ut og at batteriet er fjernet før det utføres arbeid på støvsugeren.
- Bruk alltid støvmaske under montering eller vedlikehold.

Installere pulverfilteret (HEPA) og forfilteret (for tørt støv)

Valgfritt tilbehør for tekstilfiltermodell

⚠ FORSIKTIG:

- Ta aldri opp vann eller andre væsker eller vått støv når du bruker pulverfilteret. Å ta opp slike ting kan føre til at pulverfilteret ødelegges.

- **Fig.13:** 1. Deksel for beholderen 2. Pulverfilter (HEPA) 3. Demper 4. Forfilter 5. Tank 6. Merke for monteringsposisjon

- **Fig.14:** 1. Flyt 2. Flytebur

Fjern flyteburet og flottøren ved å fjerne boltene for å bruke pulverfilter. Plasser pre-filteret i beholderen. Monter deretter demperen på pulverfilteret og plasser dem deretter i forfilteret. Når du installerer pulverfilteret og forfilteret må du justere monteringsposisjonens merking på hver av dem med den på toppen av tanken. Til slutt må tankklokken monteres og låses.

MERK:

- Pass på at både pre-filteret og demperen er satt i før du tar i bruk pulverfilteret. Pulverfilteret kan ikke brukes uten pre-filter og demper.

Installer vannfilter (for stofffiltermodell) (ekstrautstyr)

⚠ FORSIKTIG:

- Ta aldri opp vann eller vått støv uten flottøren og stofffilteret eller vannfilteret.
- Sørg for at flyteburet og flottøren er installert på støvsugeren for å ta opp vått støv.
- Plasser vannfilteret i beholderen og pass på at krokene på vannfilteret fester seg riktig (det skal ikke være glis mellom vannfilteret og beholderen).

MERKNAD:

- Det anbefales å bruke vannfilter når du plukker opp store mengder vann gjentatte ganger. Ellers kan sugeevnen reduseres ved bruk av stofffilteret.

► **Fig.15:** 1. Vannfilter 2. Tank 3. Merke for monteringsposisjon

Vannfilteret er mer egnet enn stofffilteret for å bare ta opp vann eller vått støv.

Juster monteringsposisjonen merke med det på tanken når du installerer vannfilteret.

Installere papirpakken (ekstrautstyr)

⚠ ADVARSEL:

- Bruk også stofffilteret eller forfilteret sammen, som er forhåndsinstallert på verktøyet, når du bruker papirpakken. Unnlattelse av å bruke stofffilter/forfilter sammen kan føre til uvanlig høy støy og varme, noe som kan resultere i brann.

⚠ FORSIKTIG:

(For stofffilter-modellen)

- Papirposen kan ikke brukes for oppsuging av væske eller vått støv. Hvis dette gjøres, kan papirposen revne.
- Sørg for at pulverfilteret (ekstrautstyr), demper (ekstrautstyr) og forfilter alltid brukes sammen, før du bruker papirpakken

(For pulverfilter-modellen)

- Hvis støvsugeren skal brukes med papirpose, må både pulverfilteret, pre-filteret og demperen være satt i.

1. Fjern gummiholderen.

► **Fig.16:** 1. Gummiholder

2. Brett ut papirposen.
3. Juster åpningen på papirposen med innsugningsåpningen på støvsugeren.
4. Sett kartongen til papirpakken på holderen slik at den er plassert på enden, forbi sperrefremspringet.

► **Fig.17:** 1. Papirpose 2. Holder

Installering av polyetylenposen

Støvsugeren kan også brukes uten polyetylenpose. Bruk av polyetylenposen vil imidlertid gjøre at du enklere kan tømme beholderen uten å skitne deg til på hendene.

► **Fig.18:** 1. Holderplate 2. Polyetylenpose

Brett ut polyetylenposen i beholderen. Sett den inn mellom holderplaten og beholderen og dra den mot innsugningsåpningen.

Spre posen rundt toppen av tanken slik at forfilterkanten kan fange og holde posen sikkert på plass.

MERK:

- En polyetylenpose tilgjengelig på markedet kan brukes. 0,04 mm eller tykkere anbefales.
- For store støvmengder vil gjøre at posen lett revner, og du bør derfor skifte posen når den er halvfull.

Tømming av polyetylenposen

⚠ ADVARSEL:

- Alltid pass på at støvsugeren er slått av og frakoblet før du tømmer polyetylenposen. Hvis dette ikke gjøres, vil det være fare for elektrisk støt og alvorlige personskader.

⚠ FORSIKTIG:

- Ikke påfør en stor kraft på flyteburet og tanken. Påføring av en stor kraft kan forårsake deformasjon og skader på deler.
- Avhengig av støvmengden i beholderen, kan det være nødvendig å tømme beholderen minst én gang per dag. Hvis det går for lenge mellom hver gang beholderen tømmes, vil sugestyrken bli redusert og motoren kan bli ødelagt.
- Ikke hold i kroken når du skal tømme tanken, da dette kan føre til at kroken knekker.

Hekt av og løft opp dekslet på beholderen.

► **Fig.19**

Rist støvet av stofffilteret/pulverfilteret, og ta deretter polyetylenposen ut av tanken.

MERK:

- Vær forsiktig når du tar ut polyetylenposen slik at den ikke hekter i og rives opp av fremspringet på innsiden av beholderen.
- Tøm polyetylenposen før den er helt full. For mye støv i beholderen kan føre til at posen revner.

Installerer verktøykassen

► **Fig.20**

1. Frigjør låsen på batteridekselet og åpne det.
2. Sett skinnene på verktøykassen langs sporene på huset.
3. Lukk batteridekselet og bruk låsen.

► **Fig.21**

Verktøyboksen er praktisk for å bære batterier, utvidelseskode, rør eller mansjetter.

Tilkobling av slangen

⚠️ FORSIKTIG:

- Aldri trakk på eller bruk makt for å bøye slangen. Ikke trekk i slangen for å flytte støvsugeren. Hvis du trækker på, drar i eller bøyer slangen, kan den knekke eller bli misformet.
- Bruk en slange med en indre diameter på 38 mm (ekstrautstyr) når du tar opp stort avfall som høvel-utskjæringer, betongstøv eller lignende som ikke er småavfall. Bruk av en slange med en indre diameter på 28 mm (ekstrautstyr) kan føre til slangeblokkering og skader.

► Fig.22

Sett slangen inn i innsugningsåpningen på beholderen og vri den med klokken inntil den går i lås.

VEDLIKEHOLD

⚠️ FORSIKTIG:

- Vær alltid sikker på at verktøyet er slått av, at kontakten er tatt ut og at batteriet fjernes før du forsøker å utføre inspeksjon eller vedlikehold.

Oppbevaring av strømledningen

► Fig.23

Du kan sveive opp strømledningen rundt verktøykassen.

Oppbevaring av tilbehør

► Fig.24

► Fig.25

Rørene kan plasseres i rørholderen når du ikke bruker støvsugeren i en kort periode.

► Fig.26

Slangen kan lagres rundt verktøyet ved å koble hver ende sammen.

Rengjøring

⚠️ FORSIKTIG:

- Aldri bruk gasolin, bensin, tynner alkohol eller lignende. Det kan føre til misfarging, deformering eller sprekkdannelse.

Rengjøre tekstilfilteret

Kun for tekstilfiltermodellen

► Fig.27

Tett stofffilter forårsaker dårlig sugeevne.

Rens stofffilteret fra tid til annen.

Rist rammebunnen raskt flere ganger for å fjerne støv eller partikler som er festet til stofffilteret.

Rengjøre pulverfilteret (HEPA) og forfilteret

Kun for pulverfiltermodellen

Sugestykken kan bli redusert hvis pulverfilteret, pre-filteret og demperen er tilstoppet.

Filtrene og demperne bør rengjøres med jevne mellomrom.

Rist rammebunnen raskt flere ganger etter hverandre for å fjerne støv eller partikler fra filtrene.

► Fig.28

Vask av og til pulverfilteret med vann, og la det tørke helt. Filtrene skal aldri vaskes i oppvaskmaskin.

MERK:

- Ikke bruk harde objekter som for eksempel børster og skraper på pulverfilteret, pre-filteret eller demperen.
- Filtrene slites ut med tiden. Det anbefales å ha noen reservedeler for dem.

For å opprettholde produktets SIKKERHET og PÅLITELIGHET, må reparasjoner, vedlikehold og justeringer utføres av Makitas autoriserte servicesentre, og det må alltid brukes reservedeler fra Makita.

VALGFRITT TILBEHØR

⚠️ FORSIKTIG:

- Det anbefales at du bruker dette tilbehøret eller verktøyet sammen med den Makita-maskinen som er spesifisert i denne håndboken. Bruk av annet tilbehør eller verktøy kan forårsake helseskader. Tilbehør og verktøy må kun brukes til det formålet det er beregnet på.

Ta kontakt med ditt lokale Makita-servicesenter hvis du trenger mer informasjon om dette tilbehøret.

- Makita originalbatteri og lader
- Slange
- Munnstykker (22, 24, 38)
- Rett rør
- Hjørnemunnstykke
- Rund børste
- Pulverfilter, HEPA (for tørt støv)
- Demper
- Forfilter
- Munnstykkeenheter
- Vinkelrør
- Polyetylenpose
- Vannfilter (valg for stofffilter-modellen)
- Papirpose
- Holdersett

MERK:

- Enkelte elementer i listen kan være inkludert som standardtilbehør i verktøypakken. Elementene kan variere fra land til land.

VAROITUS

Tätä laitetta voivat käyttää myös 8-vuotiaat tai sitä vanhemmat lapset sekä henkilöt, joiden fyysiset, sensoriset tai henkiset kyvyt ovat rajoittuneet tai joilla ei ole kokemusta tai tietoa laitteen käytöstä, jos he käyttävät laitetta valvotusti tai jos heille annetaan riittävät ohjeet laitteen käyttämiseksi turvallisella tavalla ja he ymmärtävät siihen liittyvät riskit. Lapset eivät saa leikkiä laitteella. Lapset eivät saa puhdistaa tai huoltaa laitetta ilman valvontaa.

TEKNISET TIEDOT

Malli		DVC860L	DVC861L
Vakiosuodatintyyppi		Tekstiilisuo datin (kuivalle ja märälle pölylle)	Jauhesuo datin (kuivalle pölylle)
Virtausmäärä (ilma)	Akkuvirtakäyttö (BL1830, letku ø38 mm x 2,5 m)	2,1 m ³ /min	
	Verkkovirtakäyttö (letku ø38 mm x 2,5 m)	3,6 m ³ /min	
Imu	Akkuvirtakäyttö (BL1830, letku ø38 mm x 2,5 m)	90 hPa	
	Verkkovirtakäyttö (letku ø38 mm x 2,5 m)	240 hPa	
Säilöntäkapasiteetti	Pöly	8 l	
	Vesi	6 l	-
Mitat (P x L x K)		366 mm x 334 mm x 368 mm	
Nimellisjännite (akkukäyttö)		DC 36 V	
Standardi akkupatruuna		BL1815N, BL1820, BL1820B, BL1830, BL1830B, BL1840, BL1840B, BL1850, BL1850B, BL1860B	
Nettopaino (BL1815N / BL1820)		8,6 kg	9,3 kg
Nettopaino (BL1830 / BL1840 / BL1850)		9,2 kg	9,9 kg
Turvaluokitus		□/II	

- Jatkuvan tutkimus- ja kehitysohjelman vuoksi pidätämme oikeuden muuttaa tässä mainittuja teknisiä ominaisuuksia ilman ennakoilmoitusta.
- Tekniset ominaisuudet saattavat vaihdella eri maissa.
- Paino akku mukaan lukien EPTA-Procedure 01/2003 mukaan
- Märkää pölyä imuroitaessa on käytettävä kohoaa ja vesisuo datintä tai tekstiilisuo datintä.

Symbolit

Laitteessa on käytetty seuraavia symboleja. Opettele näiden merkitys, ennen kuin käytät konetta.



Lue käyttöohjeet.



Noudata erityistä varovaisuutta.



Varoitus! Imuri voi sisältää haitallista pölyä.



Älä koskaan seiso imurin päällä.



Pölyluokka L (light). Imureilla voi imuroida pölyluokan L pölyä. Noudata paikallisia pölyä koskevia työsuojelumääräyksiä.



KAKSINKERTAINEN ERISTYSTY



Koskee vain EU-maita
Älä hävitä sähkölaitteita tai akkuja tavallisen kotitalousjätteen mukana!
Sähkö- ja elektroniikkalaiteromua koskevan EU-direktiivin ja paristoja ja akkuja sekä käytettyjä paristoja ja akkuja koskevan direktiivin ja niiden maakohtaisten sovellusten mukaisesti käytetyt sähkölaitteet ja akut on toimitettava ongelmajätteen keräyspisteeseen ja ohjattava ympäristöystävälliseen kierrätykseen.

Käyttötarkoitus

Laitte on tarkoitettu sekä kuivan että märän pölyn imuroimiseen. Tämä työkalu sopii kaupalliseen käyttöön esimerkiksi hotelleissa, kouluissa, sairaaloissa, tehtaissa, myymälöissä tai vuokraamoissa.

Virtälähde

Laitteen saa kytkeä vain sellaiseen virtalähteeseen, jonka jännite on sama kuin arvokilvessä ilmoitettu, ja sitä saa käyttää ainoastaan yksivaiheisella vaihtovirralla. Laitte on kaksinkertaisesti suojaeristetty, ja se voidaan siten kytkeä myös maadoittamattomaan pistorasiaan.

Melutaso

Tyypillinen A-painotettu melutaso määräytyy EN/IEC60704-standardin mukaan:

Äänenpainetaso (L_{pA}): 75 dB (A)

Virhemarginaali (K): 2,5 dB (A)

Työskentelyn aikana melutaso voi ylittää 80 dB (A).

Käytä kuulosuojaimia

Tärinä

Värähtelyn kokonaisarvo (kolmiakselivektorin summa) on määritelty IEC 60335-2-69 mukaan:

Tärinäpäästö (a_{h1}): 2,5 m/s² tai vähemmän

Virhemarginaali (K): 1,5 m/s²

Koskee vain Euroopan maita

VAKUUTUS EC-VASTAAVUUDESTA

Makita ilmoittaa, että seuraava(t) kone(et)

Koneen tunnistetiedot:

Verkkovirta- ja akkukäyttöinen pölynimuri

Mallinro/tyyppi: DVC860L, DVC861L

Täyttävät seuraavien eurooppalaisten direktiivien vaatimukset:

2006/42/EC

On valmistettu seuraavien standardien tai standardoitu-
jen asiakirjojen mukaisesti:

EN60335

Direktiivin 2006/42/EY mukaiset tekniset tiedot ovat saatavissa seuraavasta osoitteesta:

Makita, Jan-Baptist Vinkstraat 2, 3070, Belgium

25.9.2014

Yasushi Fukaya
Johtaja

Makita, Jan-Baptist Vinkstraat 2, 3070, Belgium

VERKKOVIRTA- JA AKKUKÄYTTÖISEN IMURIN TURVALLISUUSOHJEET

VAROITUS! TÄRKEÄÄ: LUE HUOLELLISESTI kaikki turvallisuusvaroitukset ja käyttöohjeet, ENNEN KUIN KÄYTÄ LAITETTA. Jos varoitusten ja ohjeiden noudattaminen laiminlyödään, seurauksena voi olla sähköisku, tulipalo ja/tai vakava vammautuminen.

1. Varmista, ennen käyttöä, että tämän pölynimurin käyttäjillä on riittävä käyttökoulutus.
2. Jos imurista vuotaa nestettä, lopeta käyttö heti.
3. Puhdista vesimääränrajoitin säännöllisesti ja tutki se mahdollisten vaurioiden varalta.
4. Älä käytä imuria ilman suodatinta. Vaihda vaurioitunut suodatin välittömästi uuteen.
5. **JATKOJOHDON KÄYTTÄMINEN.** Jos käytät jatkojohtoa pistorasian etäisen sijainnin vuoksi, käytä riittävän paksua johtoa, joka ei kuitenkaan ole liian pitkä, jotta imurin teho ei pääse heikkenemään. Ulkotiloissa täytyy käyttää ulkokäyttöön tarkoitettua jatkojohtoa.
6. **JÄNNITEVAROITUS:** Varmista, että virtalähteen (pistorasian, jatkojohdon tms.) jännite vastaa imurin arvokilvessä ilmoitettua jännitettä, ennen kuin kytket imurin. Imurin kytkeminen ilmoitettua suurempaa jännitettä käyttävään virtalähteeseen voi aiheuttaa käyttäjälle VAKAVIA VAMMOJA ja vaurioittaa imuria. Jos et ole varma, ÄLÄ KYTKE IMURIA SÄHKÖVERKKOON. Arvokilvessä ilmoitettua pienempää jännitettä käyttävän virtalähteen käyttäminen on vahingollista moottorille.
7. **ESTÄ TAHATON KÄYNNISTYMINEN.** Varmista, että kytkin on pois päältä, kun kytket virtajohdon.
8. Älä imuroi palavia aineita, ilotulitteita, palavia savukkeita, kuumaa tuhkaa, kuumia metallilastuja tai teräviä esineitä, kuten partateriä, neuloja, lasinsirpaleita tms.
9. **ÄLÄ KOSKAAN KÄYTÄ IMURIA, JOS LÄHELLÄ ON BENSIINIÄ, KAASUA, MAALIA, LIIMAA TAI MUITA RÄJÄHDYSALTTIITA AINEITA.** Kytkimestä lähtee kipinä, kun se kytketään päälle tai pois päältä. Myös moottorin kommutaattori kipinöi käytön aikana. Seurauksena voi olla voimakas räjähdys.
10. Älä koskaan imuroi myrkyllisiä, karsinogeenisiä, syttyviä tai muuten haitallisia aineita, kuten asbestia, arsenikkia, bariumia, berylliumia, lyijyä, hyönteismyrkkyjä tai muita terveydelle vaarallisia aineita.
11. Älä koskaan käytä imuria ulkona sateella.
12. Älä käytä imuria lämmönlähteiden (uunin tms.) läheisyydessä.
13. **SUOJAUDU SÄHKÖISKUILTA.** Vältä koskettamasta maadoitettuja pintoja. Näitä ovat esimerkiksi putket, lämpöpatterit, liedet ja jääkaapit.
14. Älä tuki jäähdytysaukkoja. Moottori jäähdytetään näiden aukkojen kautta. Jäähdytysaukot täytyy pitää avoimina, sillä muutoin moottori palaa kiinni puutteellisen ilmanvaihdon vuoksi.

15. Seiso tukevassa asennossa ja säilytä tasapainosi.
16. **ÄLÄ VAHINGOITA JOHTOA.** Älä kannaa imuria virtajohdosta tai irrota sitä pistorasiasta virtajohdosta vetämällä. Älä anna johdon joutua kosketukseen kuumuuden, öljyn tai terävien reunojen kanssa. Tarkasta imurin virtajohdot säännöllisesti ja vaihdata ne valtuutetussa huoltoliikkeessä, jos niissä on vaurioita. Tarkasta jatkojohdot säännöllisesti ja vaihda ne tarvittaessa.
17. Älä taita tai kisko letkua äläkä astu sen päälle.
18. Pysäytä imuri heti, jos se ei toimi täydellä teholla tai toimii muuten epänormaalisti.
19. **IRROTA IMURIN VIRTAJOHTO.** Irrota johto, kun imuri ei ole käytössä tai kun huollat imuria tai vaihdat siihen lisävarusteita.
20. Puhdista ja huolla imuri aina heti käytön jälkeen, jotta se pysyy hyvässä käyttökunnossa.
21. **HUOLLA IMURIA SÄÄNNÖLLISESTI.** Pidä imuri puhtaana, jotta sen suorituskyky ja turvallisuus säilyvät. Noudata lisävarusteiden vaihtamista koskevia ohjeita. Pidä kahvat kuivina sekä puhtaina öljystä, rasvasta ja muusta liasta.
22. **TARKISTA, ONKO IMURISSA VAURIOITA.** Ennen kuin imurin käyttöä jatketaan, on syytä varmistaa, että suojukset tai muut vaurioituneet osat toimivat tarkoituksensa mukaisella tavalla oikein. Varmista, että liikkuvat osat ovat oikeissa asennoissa ja pääsevät liikkumaan esteettä. Tarkasta myös osien eheys, kiinnitykset sekä muut toimintaan mahdollisesti vaikuttavat seikat. Suojus tai muu vaurioitunut osa tulee viedä valtuutettuun huoltoliikkeeneseen korjattavaksi tai vaihdettavaksi, jollei tässä käyttöoppaassa muuta mainita. Vaihdata epäkuuntoiset kytkimet valtuutetussa huoltoliikkeessä. Älä käytä imuria, jos sitä ei voi kytkeä päälle tai pois päältä kytkimellä.
23. **VARAOSAT.** Käytä huoltojen yhteydessä ainoastaan identtisiä varoosia.
24. **VARASTOI IMUROI, KUN SITÄ EI KÄYTETÄ.** Säilytä imuria sisätiloissa, kun sille ei ole käyttöä.
25. Märät suodattimet ja nestesäiliön sisäosat on kuivattava ennen varastointia.
26. Käsittele imuria varoen. Kovakourainen käsitely voi rikkoa vahvatekoisimmankin imurin.
27. Älä käytä imurin ulko- tai sisäpintojen puhdistamiseen bensiiniä, ohentimia tai puhdistusaineita. Ne voivat aiheuttaa halkeamia tai värjäytyksiä.
28. Älä käytä imuria suljetuissa tiloissa, jossa säilytetään palavia, räjähtäviä tai myrkyllisiä höyryjä luovuttavia aineita, kuten öljypohjaisia maaleja, maaliohentimia, bensiiniä ja tietyjä koinestoaaineita tms. Vältä myös tiloja, joissa on tulenarkaa pölyä.
29. Älä jätä virtajohtoa lojumaan lattialle imuroinnin jälkeen. Joku voi kompastua siihen ja loukata itseään tai vaurioittaa imuria.
30. Älä käytä imuria tai muita työkaluja, jos olet lääkkeiden tai alkoholin vaikutuksen alainen.
31. Käytä aina sivusuojilla varustettuja suojalaseja.
32. Käytä hengityssuojainta pölyisissä työskentelyolosuhteissa.
33. Tämä laite ei ole tarkoitettu sellaisten henkilöiden, esimerkiksi lasten, käytettäväksi, joiden fyysiset, sensoriset tai henkiset kyvyt tai kokemuksen tai tiedon puute estävät heitä käyttämästä laitetta turvallisesti.
34. Pieniä lapsia tulee vahnta ja varmistaa, etteivät he leiki puhalltimella.
35. Älä koskaan käsittele virtajohdon pistoketta tai imuria märin käsin.
36. Ole erityisen varovainen portaita siivotessasi.
37. Älä käytä imuria istuimena tai työtasoina. Laite voi kaatua ja aiheuttaa vammoja.

Akkukäyttöisen työkalun käyttö ja hoito

1. Lataa akkua vain valmistajan ilmoittamalla laturilla. Tietyn tyyppiselle akulle sopiva laturi voi aiheuttaa tulipalovaaran, jos sitä käytetään toisentyypisen akun kanssa.
2. Käytä sähkötyökaluja vain määritysten mukaisten akkujen kanssa. Muunlaisten akkujen käyttäminen voi aiheuttaa loukkaantumista tulipalovaaraan.
3. Kun akku ei ole käytössä, säilytä se erillään metalliesineistä, kuten paperiliittimistä, kolikoista, avaimista, nauloista, ruuveista ja muista pienistä metallikappaleista, jotka voivat yhdistää akun navat. Akun napojen oikosulku voi aiheuttaa palovammoja.
4. Akusta voi vuotaa nestettä, jos sitä käsitellään väärin: vältä kosketusta. Jos kosketat nestettä vahingossa, huuhtele iho vedellä. Jos nestettä pääsee silmiin, hakeudu lääkärin hoitoon. Akkuneesteet voivat ärsyttää ihoa tai aiheuttaa palovammoja.

SÄILYÄ TULEVAA TARVETTA VARTEN

VAROITUS: ÄLÄ anna työkalun helppokäyttöisyyden tai toistuvan käytön tuudittaa sinua väärään turvallisuuden tunteeseen niin, että laiminlyöt työkalun turvaohjeiden noudattamisen. **VÄÄRINKÄYTTÖ** tai tämän käyttöohjeen turvamääräysten laiminlyönti voi johtaa vakaviin henkilövahinkoihin.

TÄRKEITÄ TURVAOHJEITA

AKKU

1. Ennen akun käyttöönottoa tutustu kaikkiin laturissa (1), akussa (2) ja akkukäyttöisessä tuotteessa (3) oleviin varoitusteksteihin.
2. Älä pura akkua.
3. Jos akun toiminta-aika lyhenee merkittävästi, lopeta akun käyttö. Seurauksena voi olla ylikuumeneminen, palovammoja tai jopa räjähdys.

4. Jos akkuneustettää pääsee silmiin, huuhtelee puhtaalla vedellä ja hakeudu välittömästi lääkärin hoitoon. Akkuneuste voi aiheuttaa sokeutumisen.
5. Älä oikosulje akkua.
 - (1) Älä koske akun napoihin millään sähköä johtavalla materiaalilla.
 - (2) Vältä akun oikosulkemista äläkä säilytä akkua yhdessä muiden metalliesineiden, kuten nauhojen, kolikoiden ja niin edelleen kanssa.
 - (3) Älä airtista akkua vedelle tai sateelle. Akun oikosulku voi aiheuttaa voimakkaan sähkövirran, palovammoja ja jopa laitteen rikkoutumisen.
6. Älä säilytä työkalua ja akkua paikassa, jossa lämpötila voi nousta 50°C:een tai sitäkin korkeammaksi.
7. Älä hävitä akkua polttamalla, vaikka se olisi pahoin vaurioitunut tai täysin loppuun kulunut. Avotuli voi saada akun räjähtämään.
8. Varo kolhimasta tai pudottamasta akkua.
9. Älä käytä viallista akkua.
10. Laitteessa olevia litiumioniakkuja on käsiteltävä vaarallisia aineita koskevien säädösten mukaisesti. Esimerkiksi kolmansien osapuolten tai huolinta- liikkeiden tekemissä kaupallisissa kuljetuksissa on otettava huomioon pakkausta ja pakkausmerkintöjä koskevat erityisvaatimukset, Ennen tuotteen valmistelua lähetystä varten on kysyttävä neuvoa vaarallisten aineiden kuljetuksen asiantuntijalta. Ota huomioon myös mahdolliset maakohtaiset määräykset. Teippaa umpeen tai suojaa muulla tavoin akun avonaiset liittimet ja pakkaa akku siten, ettei se pääse liikkumaan pakkauksessa.
11. Hävitä akku paikallisten määräysten mukaisesti.

SÄILYTÄ NÄMÄ OHJEET.

⚠HUOMIO: Käytä ainoastaan aitoja Makita-akkuja. Muiden kuin aitojen Makita-akkujen tai akkujen, joihin on tehty muutoksia, käyttäminen voi saada akun räjähtämään, jolloin seurauksena voi olla tulipalo, vamma tai vaurio. Se mitätöi myös takuun kyseiselle Makita-työkalulle ja -laturille antaman takuun.

Vihjeitä akun käyttöiän pidentämiseksi

1. Lataa akku ennen kuin se ehtii purkautua kokonaan. Lopeta työkalun käyttö ja lataa akku aina, kun huomaat tehon heikenevän.
2. Älä koskaan lataa täyttä akkua. Yliilataus lyhentää akun käyttöikä.
3. Lataa akku huoneenlämmössä 10°C-40°C. Anna kuuman akun jäähtyä ennen latausta.
4. Lataa akku, jos sitä ei käytetä pitkään aikaan (yli kuuteen kuukauteen).

TOIMINTOJEN KUVAUS

Käyttö verkkovirralla:

⚠VAROITUS:

- Varmista, että imuri ei ole päällä, ennen kuin kytket virtajohdon pistorasiaan. Jos imuri kytketään pistorasiaan kytkin päällä, seurauksena voi olla yllättävästä käynnistymisestä aiheutuva vammoihin johtava onnettomuus.

► **Kuva1:** 1. Pistoke (muoto ja johdon pituus voi vaihdella maakohtaisesti)

Kytke pistoke virtalähteeseen.

► **Kuva2:** 1. Verkkovirran merkkivalo

Verkkovirran merkkivalo syttyy, kun valmiustilakatkaisin käännetään asentoon "I".

HUOMAA:

- Vaikka työkalu toimisi akkuvirralla, se siirtyy automaattisesti käyttämään verkkovirtaa, kun virtajohto kytketään pistorasiaan.
- Jos työkalun virtajohto irrotetaan pistorasiasta käytön aikana ja työkalun akku on paikallaan, imuri siirtyy valmiustilaan.

Käyttö akkuvirralla:

Akun asentaminen tai irrottaminen

⚠HUOMIO:

- Varmista aina ennen imurin säätöjä ja tarkastuksia, että imuri on sammutettu, virtajohto on irrotettu pistorasiasta ja akku on irrotettu.
- **Pidä pölynimurista ja akusta tiukasti kiinni, kun irrotat tai kiinnität akkua.** Jos akku tai pölynimuri putoaa käsistäsi, ne voivat vaurioitua tai aiheuttaa loukkaantumisen.
- **Varo, etteivät sormesi jää akkulokeron kannen väliin, kun suljet sen.** Muutoin seurauksena voi olla vammautuminen.

► **Kuva3:** 1. Lukittu 2. Akun suojus

Kun asennat akun, vapauta ensin lukko ja avaa sitten akkulokeron kansi. Asenna sitten akku.

► **Kuva4:** 1. Akku

Kohdistaa akussa oleva kieleke lokerossa olevaan uraan ja työnnä akku paikalleen. Työnnä akku pohjaan asti niin, että kuulet sen napsahtavan paikoilleen. Lukitse sitten akkulokeron kansi.

Irrota akku painamalla akun etupuolella olevaa painiketta ja vetämällä akku ulos työkalusta.

HUOMAUTUS:

- Irrota imurin pistoke jatkajohdosta, kun käytät imuria akuilla.

⚠️HUOMIO:

- Työnnä akku aina täysin paikalleen. Jos akku ei ole kunnolla paikallaan, se voi pudota työkalusta ja aiheuttaa vammoja joko käyttäjälle tai sivullisille.
- Älä käytä voimaa akun asennuksessa. Jos akku ei mene paikalleen helposti, se on väärässä asennossa.

HUOMAA:

- Imuri ei toimi yhdellä akulla.

Työkalun/akun suojausjärjestelmä

Työkalu on varustettu työkalu/akun suojausjärjestelmällä. Tämä järjestelmä pidentää työkalun ja akun käyttöikää katkaisemalla automaattisesti moottorin virran. Työkalu pysähtyy automaattisesti kesken käytön, jos työkalussa tai akussa ilmenee jokin seuraavista tilanteista: Joissakin tilanteissa merkkivalot syttyvät.

Ylikuormitusuoja

Jos työkalu ylikuormittuu, se pysähtyy automaattisesti. Katkaise silloin työkalusta virta ja lopeta ylikuormittustilan aiheuttanut käyttö. Käynnistä sitten työkalu uudelleen kytkemällä siihen virta.

Työkalun ylikuumenemissuoja

<input type="checkbox"/> :ON	<input checked="" type="checkbox"/> :Viikkuu

Kun työkalu ylikuumentee, se pysähtyy automaattisesti ja akun merkkivalo viikkuu noin 60 sekunnin ajan. Anna silloin työkalun jäähtyä, ennen kuin kytket työkaluun uudelleen virran.

Ylipurkautumissuoja

Jos akun varaus käy vähiin, työkalu pysähtyy automaattisesti. Jos työkalu ei toimi, vaikka kytkimiä käytetään, irrota akut työkalusta ja lataa ne.

Akussa jäljellä olevan varauksen näyttö

► **Kuva5:** 1. CHECK-painike

► **Kuva6**

Saat akun ilmaisimet näyttämään akun jäljellä olevan varauksen määrän painamalla tarkistuspainiketta. Kumpikin akun ilmaisin vastaa yhtä akkua.

Akussa jäljellä olevan varauksen näyttö

Aku merkkivalon tila	Akussa jäljellä oleva varaus
<input checked="" type="checkbox"/> :ON <input type="checkbox"/> :OFF <input checked="" type="checkbox"/> :Viikkuu	
	50 % - 100 %
	20 % - 50 %
	0 % - 20 %
	Lataa akku

Akun jäljellä olevan varaustason ilmaisin

Vain akkupaketeille ilmaisimella

► **Kuva7:** 1. Merkkivalot 2. Tarkistuspainike

Painamalla tarkistuspainiketta saat näkyviin akun jäljellä olevan varauksen. Merkkivalot palavat muutaman sekunnin ajan.

Merkkivalot			Akussa jäljellä olevan varaus
Palaa	Pois päältä	Viikkuu	
			75% - 100%
			50% - 75%
			25% - 50%
			0% - 25%
			Lataa akku.
			Akussa on saattanut olla toimintahäiriö.

HUOMAA: Ilmoitettu varaustaso voi erota hieman todellisesta varaustasosta sen mukaan, millaisissa oloissa ja missä lämpötilassa laitetta käytetään.

Kytkimen käyttäminen

► **Kuva8:** 1. Valmiustilakytkin 2. Virtapainike
3. Imutehon säätönappi

Imurin käynnistäminen:

1. Käännä valmiustilakatkaisin asentoon "I". Imuri siirtyy valmiustilaan.

2. Paina virtapainiketta.

Jos haluat imurin siirtyvän valmiustilaan, paina virtapainiketta uudelleen.

Sammuta imuri kääntämällä valmiustilakatkaisin asentoon "O".

Imutehoa voidaan säätää työkohteen mukaan.

Imuteho suurenee, kun imutehon säätönuppia käännetään -kuvakkeesta kohti -kuvaketta.

HUOMAUTUS:

- Käännä valmiustilakatkaisin aina asentoon "O", jos imuria ei käytetä pitkään aikaan. Imuri kuluttaa virtaa valmiustilassa.

Automaattinen imun lopetus märkäimuroitointoa käytettäessä (tekstiilisuodatinmalli)

VAROITUS:

- **Älä jatka käyttöä pitkään, kun koho alkaa toimia.** Jos imuria käytetään pitkään, kun koho on toiminnassa, imuri voi ylikuumentua ja vaurioitua.
- **Älä imuroi vaahtoa tai saippuavettä.** Vaahtoa tai saippuavettä imuroitaessa ilmanpoistoaukosta voi tulla vaahtoa, ennen kuin koho alkaa toimia. Jos käyttöä jatketaan tässä tilassa, seurauksena voi olla sähköisku tai imurin rikkoontuminen.

Automaattinen imun lopetus toimii vain käytettäessä kohoja ja kohon kehikkoa.

Imurissa on kohomekanismi, joka estää veden pääsyn moottoriin, kun vettä imuroidaan tietty määrä.

Kun säiliö on täynnä eikä imuri enää ime vettä, sammuta imuri ja tyhjennä tankki.

Pyörän lukitseminen tai lukituksen vapauttaminen

- **Kuva9:** 1. Pyörä 2. Rajoitinvipu 3. VAPAA-asento 4. Lukittu asema

Voit lukita pyörän painamalla jarrun päälle niin, että pyörä ei enää pyöri. Voit vapauttaa pyörän nostamalla jarrun ylös.

Pyörän lukitseminen on hyödyllistä varastoinnissa, työskentelyn aikana ja kun imuri täytyy pitää paikallaan. Käytä jarrua käsin.

HUOMAA:

- Varmista, että jarru ei ole päällä, kun liikutat imuria. Imurin liikuttaminen jarru lukittuna voi vahingoittaa pyörää.

Kantokahva

- **Kuva10**

Kun kannat imuria, kannattele sitä aina kannessa olevasta kahvasta. Kahvan voi taistaa alas, kun sitä ei käytetä.

OSIEN KUVAUS

Malli DVC860L

(Tekstiilisuodatinmalli (kuivalle ja märälle pölylle))

- **Kuva11:** 1. Säiliön suojus 2. Koho 3. Kohon kehikko 4. Tekstiilisuodatin 5. Säiliö

Malli DVC861L

(Jauhesuodatinmalli (kuivalle pölylle))

- **Kuva12:** 1. Säiliön suojus 2. Jauhesuodatin (HEPA) 3. Vaimennin 4. Esisuodatin 5. Säiliö

KOKOONPANO

HUOMIO:

- Varmista aina ennen mitään imurille tehtäviä toimenpiteitä, että imuri on sammutettu ja akku irrotettu.
- Käytä kokoamisen ja huollon aikana aina pölyltä suojaavaa hengityssuojainta.

Jauhesuodattimen (HEPA) ja esisuodattimen (kuivalle materiaalille) asennus

Lisävarusteet kangassuodatinmallille

HUOMIO:

- Älä koskaan imuroi vettä, muita nesteitä tai märkää pölyä, kun käytät jauhesuodatinta. Se voi rikkoa jauhesuodattimen voi rikkoutua.

- **Kuva13:** 1. Säiliön suojus 2. Jauhesuodatin (HEPA) 3. Vaimennin 4. Esisuodatin 5. Säiliö 6. Kiinnitysasennon merkki

- **Kuva14:** 1. Koho 2. Kohon kehikko

Jos haluat käyttää jauhesuodatinta, irrota kohon kehikko ja koho irrottamalla niiden pultit.

Aseta esisuodatin säiliöön.

Aseta sitten vaimennin jauhesuodattimeen ja asenna ne esisuodattimeen.

Kun asennat jauhesuodatinta ja esisuodatinta, kohdista niissä olevat merkit ja säiliön yläosassa olevat merkit toisiinsa.

Kiinnitä lopuksi säiliön kansi ja lukitse se.

HUOMAA:

- Ennen kuin käytät jauhesuodatinta, varmista, että esisuodatin ja vaimennin ovat molemmat asennettuina. Älä asenna pelkkää jauhesuodatinta.

Vesisuodattimen asentaminen (tekstiilisuodatinmalli) (lisävaruste)

⚠️HUOMIO:

- Älä koskaan imuroi vettä tai märkää pölyä, jos koho ja tekstiilisuodatin tai vesisuodatin eivät ole paikallaan.
- Jos imuroit märkää pölyä, varmista, että kohon kehikko ja koho on asennettu imuriin.
- Kun asennat vesisuodattimen säiliöön, asenna se tiiviisti säiliön aukkoon niin, että vesisuodattimen koukku tulee säiliön aukkoon tiukasti kiinni eikä vesisuodattimen ja säiliön väliin jää tilaa.

HUOMAUTUS:

- Jos imuroit suuria määriä vettä säännöllisesti, on suositeltavaa käyttää vesisuodatinta. Muuten imuteho voi heikentyä tekstiilisuodatinta käytettäessä.
- **Kuva15:** 1. Vesisuodatin 2. Säiliö
3. Kiinnitysasennon merkki

Jos imuroit pelkästään vettä tai märkää pölyä, vesisuodatin sopii siihen paremmin kuin tekstiilisuodatin. Kun asennat vesisuodattimen, kohdistat sen kohdistusmerkki säiliön vastaavaan merkkiin.

Paperipussin asennus (lisävaruste)

⚠️VAROITUS:

- Jos käytät paperipussia, käytä myös valmiiksi asennettua tekstiilisuodatinta tai esisuodatinta. Jos tekstiilisuodatinta/esisuodatinta ei käytetä, imuri voi pitää epätavallista ääntä, ylikuumentua tai syttyä palamaan.

⚠️HUOMIO:

(Tekstiilisuodatinmalli)

- Älä koskaan imuroi vettä, muita nesteitä tai märkää pölyä, kun käytät paperipussia. Muutoin paperipussi voi rikkoutua.
 - Ennen kuin käytät paperipussia, varmista, että jauhesuodatin (lisävaruste), vaimennin (lisävaruste) ja esisuodatin ovat asennettuina.
- (Jauhesuodatinmalli)
- Ennen kuin käytät paperipussia, varmista, että jauhesuodatin, vaimennin ja esisuodatin ovat asennettuina.

1. Irrota kumipidike.

► **Kuva16:** 1. Kumipidike

2. Avaa paperipussi.
3. Sovita paperipussin aukko kohdakkain imurin pölyaukon kanssa.
4. Työnnä paperipussin pahvi pidikkeeseen loppuun asti siten, että se tulee pidikeulokkeen oh.

► **Kuva17:** 1. Paperipussi 2. Kannatin

Muovipussin asentaminen

Imuria voidaan käyttää myös muovipussin kanssa. Muovipussia käytettäessä säiliön tyhjentäminen on tavallista helpompaa eivätkä kätesi likaannu.

► **Kuva18:** 1. Pidikelevy 2. Muovipussi

Levitä muovipussi säiliön sisälle. Aseta se pidikelevyn ja säiliön väliin ja vedä se letkuliitäntään.

Vedä pussi säiliön yläosan yli siten, että esisuodattimen reuna pitää pussin tiukasti paikallaan.

HUOMAA:

- Voit käyttää yleisesti myynnissä olevia muovipusseja. Suosituspaksuus on vähintään 0,04 mm.
- Pussi repeää helposti, jos se ylitätetään, joten älä täytä sitä yli puolivälin.

Muovipussin tyhjentäminen

⚠️VAROITUS:

- Varmista, että imuri on sammutettu ja että virtajohto on irrotettu, ennen kuin tyhjäntä muovipussia. Muutoin seurauksena voi olla sähköisku ja vakavia vammoja.

⚠️HUOMIO:

- Suojele kohon kehikkoa ja säiliötä kovilta iskuilta. Kova isku voi muuttaa osien muotoa.
- Tyhjäntä säiliö vähintään kerran päivässä imurin säiliön kerääntyvän pölyn määrästä riippumatta. Muutoin imuteho heikkenee ja moottori voi rikkoutua.
- Älä tartu pidikkeeseen, kun tyhjäntä säiliötä. Pidike voi rikkoutua, jos siihen tartutaan.

Avaa ja irrota säiliön kansi.

► **Kuva19**

Puistele tekstiilisuodatin/jauhesuodatin, puhtaaksi pölystä ja poista muovipussi sitten säiliöstä.

HUOMAA:

- Kun tyhjäntä muovipussia, poista se säiliöstä varovasti niin, että se ei tartu mihinkään ja repeä.
- Tyhjäntä muovipussi, kun se on täynnä. Muovipussi voi repeytyä, jos säiliössä on liikaa pölyä.

Työkalulaatikon asentaminen

► **Kuva20**

1. Avaa akkulokeron kannen lukitus ja avaa sitten akkulokeron kansi.
2. Aseta työkalulaatikon kiskot kotelossa olevien urien suuntaisesti.
3. Sulje ja lukitse akkulokeron kansi.

► **Kuva21**

Työkalulaatikko on kätevä tapa kuljettaa mukana akkuja, jatkokohtoa, putkea tai sovitimia.

Letkun kiinnittäminen

⚠ HUOMIO:

- Älä koskaan vääntele letkua tai tallo sitä. Älä koskaan liikuta imuria letkusta vetämällä. Vääntäminen, tallominen tai kiskominen voi vahingoittaa letkua.
- Jos imuroit suurikokoisia roskia, kuten höylän lastuja, betoninmurusia tai muuta vastaavaa, käytä sisähalkaisijaltaan 38 mm:n letkua (lisävaruste). Jos käytät sisähalkaisijaltaan 28 mm:n letkua (lisävaruste), se voi tukkeutua ja rikkoutua.

► Kuva22

Työnnä letku säiliön liitäntään ja käännä letkua myötäpäivään, kunnes se napsahtaa.

KUNNOSSAPITO

⚠ HUOMIO:

- Varmista aina ennen tarkastuksia tai huoltoa, että laite on sammutettu, virtajohto on irrotettu ja akku on irrotettu.

Virtajohdon säilyttäminen

► Kuva23

Voit kiertää virtajohdon työkalulaatikon ympärille.

Lisävarusteiden säilyttäminen

► Kuva24

► Kuva25

Putket voi asettaa putkipidikkeeseen, jos imuria ei käytetä hetkeen.

► Kuva26

Letkua voi säilyttää kierrettynä imurin ympärille, kun sen päät liitetään yhteen.

Puhdistus

⚠ HUOMIO:

- Älä koskaan käytä bensiiniä, ohentimia, alkoholia tai tms. aineita. Muutoin pinta voi halkeilla tai sen värit ja muoto voivat muuttua.

Kangassuodattimen puhdistaminen

Vain kangassuodattimella varustetulle mallille

► Kuva27

Tukkeutunut tekstiilisuodatin heikentää imutehoa. Puhdista tekstiilisuodatin silloin tällöin.

Voit puhdistaa pölyt ja roskat tekstiilisuodattimesta ravistelemalla suodattimen kehystä.

Jauhesuodattimen (HEPA) ja esisuodattimen puhdistaminen

Vain jauhesuodattimella varustetulle mallille

Tukkeutunut jauhesuodatatin, esisuodatin tai vaimennin heikentää imutehoa.

Puhdista suodattimet ja vaimentimet säännöllisesti. Voit puhdistaa pölyt suodattimesta ravistelemalla suodattimen kehystä.

► Kuva28

Pese ja huuhtele jauhesuodatin aika ajoin vedellä ja anna sen sitten kuivua kokonaan varjoisassa paikassa. Älä koskaan pese suodattimia pesukoneessa.

HUOMAA:

- Älä hierrä tai naarmuta jauhesuodatinta, esisuodatinta tai vaimenninta karkeilla harjoilla tai muilla vastaavilla.
- Suodattimet kuluvat käytössä. On suositeltavaa pitää muutamia varalla.

Koneen TURVALLISUUDEN ja LUOTETTAVUUDEN säilyttämiseksi korjaukset sekä muut huoltotoimet ja säädöt on jätettävä Makitan valtuuttaman huollon tehtäväksi käyttäen aina Makitan alkuperäisiä varaosia.

LISÄVARUSTEET

⚠ HUOMIO:

- Näitä lisävarusteita ja -laitteita suositellaan käytettäväksi tässä ohjekirjassa mainitun Makitan koneen kanssa. Minkä tahansa muun lisävarusteen tai -laitteen käyttäminen voi aiheuttaa loukkaantumisaaran. Käytä lisävarusteita ja -laitteita vain niiden käyttötarkoituksen mukaisesti.

Jos tarvitset apua tai yksityiskohtaisempia tietoja seuraavista lisävarusteista, ota yhteys paikalliseen Makitan huoltoon.

- Aito Makitan akku ja laturi
- Letku
- Sovitinkappaleet (22, 24, 38)
- Suora putki
- Kulmasuutin
- Pyöreä harja
- Jauhesuodatin, HEPA (kuivalle materiaalille)
- Vaimennin
- Esisuodatin
- Suutinlaite
- Käyrä putki
- Muovipussi
- Vesisuodatin (lisävaruste tekstiilisuodatinmalliin)
- Paperipussi
- Kannatinsarja

HUOMAA:

- Jotkin luettelossa mainitut varusteet voivat sisältyä työkalun toimitukseen vakiovarusteina. Ne voivat vaihdella maittain.

BRĪDINĀJUMS

Šo ierīci drīkst izmantot bērni no 8 gadu vecuma un personas ar samazinātām fiziskām, sensoriskām vai psihiskām spējām, vai kam trūkst pieredzes un zināšanu, ja tām nodrošināta uzraudzība un sniegti norādījumi par ierīces drošu izmantošanu un ja ir izprasti saistītie apdraudējumi. Bērni nedrīkst spēlēt ar ierīci. Ierīces tīrīšanu un apkopi nedrīkst veikt bērni bez uzraudzības.

SPECIFIKĀCIJAS

Modelis		DVC860L	DVC861L
Standarta filtrs		Auduma filtrs (sausiem un mitriem putekļiem)	Pulvera filtrs (sausiem putekļiem)
Tilpuma patēriņš (gaiss)	Līdzstrāvas barošana (ar BL1830, ø38 mm x 2,5 m šļūteni)	2,1 m ³ /min	
	Maiņstrāvas barošana (ar ø38 mm x 2,5 m šļūteni)	3,6 m ³ /min	
Vakuums	Līdzstrāvas barošana (ar BL1830, ø38 mm x 2,5 m šļūteni)	90 hPa	
	Maiņstrāvas barošana (ar ø38 mm x 2,5 m šļūteni)	240 hPa	
Atgriezeniskā ietilpība	Putekļi	8 l	
	Ūdens	6 l	-
Gabarīti (G x P x A)		366 mm x 334 mm x 368 mm	
Nominālais spriegums (barošana no akumulatora)		Līdzstrāva 36 V	
Standarta akumulatora kasetnes		BL1815N, BL1820, BL1820B, BL1830, BL1830B, BL1840, BL1840B, BL1850, BL1850B, BL1860B	
Tīrsvars (ar BL1815N / BL1820)		8,6 kg	9,3 kg
Tīrsvars (ar BL1830 / BL1840 / BL1850)		9,2 kg	9,9 kg
Drošības klase		II/III	

- Dēļ mūsu nepārtrauktās pētniecības un izstrādes programmas, šeit dotās specifikācijas var mainīties bez brīdinājuma.
- Atkarība no valsts specifikācijas var atšķirties.
- Svārs ar akumulatora kasetni atbilstošs EPTA procedūrai 01/2003
- Mitriem putekļiem nepieciešams pludiņš un ūdens filtrs vai auduma filtrs.

Simboli

Zemāk ir attēloti simboli, kas attiecas uz iekārtu. Pirms darbarīka izmantošanas pārliecinieties, vai pareizi izprotat to nozīmi.



Izlasiet instrukciju rokasgrāmatu.



Ievērojiet īpašu rūpību un uzmanību.



Brīdinājums! Putekļu sūcējā var būt kaitīgi putekļi.



Nekad nestāviet uz putekļu sūcēja.



Putekļu klase L (L –nēlieli). Putekļu sūcēji ir spējīgi savākt putekļu klases L putekļus. Ievērojiet savā valstī pieņemtos noteikumus attiecībā uz putekļiem un iedzīvotāju veselību un drošību.



DUBULTA IZOLĀCIJA



Tikai ES valstīm
Neizmest elektrisko aprīkojumu vai akumulatoru sadzīves atkritumos!
Saskaņā ar Eiropas direktīvu par elektrisko un elektronisko iekārtu atkritumiem, kā arī par baterijām un akumulatoriem, un bateriju un akumulatoru atkritumiem un to īstenošanu saskaņā ar valsts likumdošanu lietotais elektriskais aprīkojums, baterijas un akumulatori kalpošanas laika beigās jāsavāc atsevišķi un jānogādā atreizējai pārstrādei vidi saudzējošā veidā.

Paredzētais lietojums

Ierīce ir paredzēta gan sausu, gan mitru putekļu savākšanai. Ierīce ir piemērota izmantošanai komerciālām vajadzībām, piemēram, viesnīcās, skolās, slimnīcās, veikalos, birojos un tīres biznesā.

Strāvas padeve

Darbarīks jāpievieno tikai tādai strāvas padevei, kuras spriegums ir tāds pats, kā norādīts uz plāksnītes ar nosaukumu, un to var ekspluatēt tikai ar vienfāzes maiņstrāvas padevi. Darbarīks aprīkots ar divkārtšo izolāciju, tādēļ to var izmantot arī, pievienojot kontaktligzdai bez iezemējuma vada.

Troksnis

Tipiskais A-svērtais trokšņa līmenis ir noteikts saskaņā ar EN/IEC60704:

Skaņas spiediena līmenis (L_{pA}): 75 dB (A)

Neskaidrība (K): 2,5 dB (A)

Darbības laikā trokšņa līmenis var pārsniegt 80 dB (A).

Lietojiet ausu aizsargus

Vibrācija

Vibrācijas kopējā vērtība (trīs asu vektora summa) noteikta saskaņā ar IEC 60335-2-69:

Vibrācijas emisija (a_n): 2,5 m/s² vai mazāk

Neskaidrība (K): 1,5 m/s²

Tikai Eiropas valstīm

EK Atbilstības deklarācija

Makita paziņo, ka šāds instruments(-i):

Instrumenta nosaukums:

Putekļu sūcējs ar vadu un bez vada

Modeļa Nr./veids: DVC860L, DVC861L

Atbilst sekojošām Eiropas Direktīvām:

2006/42/EC

Ražots saskaņā ar šādu standartu vai normatīvajiem dokumentiem:

EN60335

Tehniskā lieta atbilstīgi 2006/42/EK ir pieejama:

Makita, Jan-Baptist Vinkstraat 2, 3070, Beļģija

25.9.2014

Yasushi Fukaya
Direktors

Makita, Jan-Baptist Vinkstraat 2, 3070, Beļģija

DROŠĪBAS BRĪDINĀJUMI BEZVADU PUTEKĻU SŪCĒJA UN PUTEKĻU SŪCĒJA AR VADU LIETOŠANAI

⚠️ BRĪDINĀJUMS! SVARĪGI! PIRMS LIETOŠANAS UZMANĪGI IZLASIET visus drošības brīdinājumus un visus norādījumus. Brīdinājumu un norādījumu neievērošanas gadījumā var rasties elektriskās strāvas trieciens, ugunsgrēks un/vai nopietnas traumas.

1. Pirms lietošanas pārliecinieties, vai lietotājs ir atbilstoši informēts par šī putekļu sūcēja lietošanu.
2. Ja izspiežas putas/šķidrums, nekavējoties izslēdziet.
3. Regulāri tīriet ūdens līmeņa ierobežotāju un pārbaudiet, vai tam nav bojājumu.
4. Neizmantojiet ierīci bez filtra. Nekavējoties nomainiet bojātu filtru.
5. **PAGARINĀTĀJA IZMANTOŠANA.** Ja izmantojat pagarinātāju, jo līdz jaudas avotam ir liels attālums, izmantojiet pagarinātāju, kura vads ir pietiekami biezs, taču nav pārāk garš, citādi tiks negatīvi ietekmēta ierīces darbība. Ārpus telpām izmantojiet pagarinātāju, kas ir piemērots lietošanai ārpus telpām.
6. **BRĪDINĀJUMS PAR SPRIEGUMU:** Pirms putekļu sūcēja pievienošanas jaudas avotam (sienas kontaktam, spraudnīgai, u. c.) pārbaudiet, vai padeves spriegums ir tāds pats, kā norādīts uz ierīces datu plāksnītes. Ja jaudas avota spriegums ir lielāks nekā norādīts uz putekļu sūcēja, tas var izraisīt NOPIETNUS IEVAINOJUMUS lietotājam, kā arī bojājumus ierīcei. Ja šaubāties, NEPIEVIENOJIET PUTEKĻU SŪCĒJU JAUDAS AVOTAM. Ja jaudas avota spriegums ir mazāks nekā uz datu plāksnītes norādīts, tas ir kaitīgi ierīces motoram.
7. **NEPIEĻAUJIET NEJAUŠU IEDARBINĀŠANU.** Ierīci pievienojot jaudas avotam, pārbaudiet, vai slēdzis ir izslēgts (OFF).
8. Nesūciet viegli uzliesmojošus priekšmetus, piemēram, signālraketes, degošas cigaretes, karstus pelnus, karstas metāla skaidas, un asus priekšmetus, piemēram, žiletus, saplētu stiklu u. c.
9. **NEKAD NEIZMANTOJIET PUTEKĻU SŪCĒJU, JA TUVUMĀ ATRODAS GAZOLĪNS, GĀZE, KRĀSA, LĪME VAI CITAS VIELAS AR PAAUGSTINĀTU SPRĀDZIENBĪSTAMĪBU.** Slēdzi ieslēdzot (ON) vai izslēdzot (OFF), no tā izdalās dzirksteles. Tāpat arī dzirksteles izdalās no motora kolektora darbības laikā. Tas var izraisīt bīstamu eksploziju.
10. Nekad nesūciet toksiskus, kancerogēnus, ugunsnedrošus vai citus kaitīgus materiālus, piemēram, azbestu, arsēnu, bāriju, beriliju, svīnu, pesticīdus vai citus materiālus, kas apdraud veselību.
11. Nekad neizmantojiet putekļu sūcēju ārpus telpām lietū.
12. Nelietojiet karstuma avotu (piem., krāsns u. c.) tuvumā.
13. **AIZSARDZĪBA PRET ELEKTRISKĀS STRĀVAS TRIECIENU.** Nepieļaujiet ķermeņa saskari ar iezemētām virsmām. Piemēram, ar caurulēm, radiatoriem, plītiem un ledusskapja korpusu.

14. Nenosprostojiet dzesēšanas atveres. Šīs atveres dzesē motoru. Nepieļaujiet nosprostojumus, citādkā motors sadegs ventilācijas trūkuma dēļ.
15. Vienmēr cieši stāviet uz piemērota atbalsta un saglabājiet līdzsvaru.
16. **NEVELCIET VADU.** Nekad nevelciet putekļu sūcēju aiz vada vai neraujiet to, lai atvienotu no kontaktligzdas. Uzturiet vadu atstatu no karstuma avotiem, eļļas un asām malām. Regulāri pārbaudiet putekļu sūcēja vadus un, ja tie ir bojāti, to remonts jāveic pilnvarotam servisa uzņēmam. Regulāri pārbaudiet pagarinātāja vadus un nomainiet, ja tie ir bojāti.
17. Šļūteni nelokiet, neraujiet un nekāpiet tai virsū.
18. Ja ekspluatācijas laikā ierīces darbība nav optimāla vai pamanāt kādas novirzes, putekļu sūcēju nekavējoties izslēdziet.
19. **ATVIENOJIET PUTEKĻU SŪCĒJU NO JAUDAS AVOTA,** ja to neizmantojat, pirms apkopes un pirms piederumu nomainīšanas.
20. Putekļu sūcēju notīriet un apkopiet uzreiz pēc katras lietošanas reizes, lai tas vienmēr būtu ideālā lietošanas kārtībā.
21. **VEICIET PUTEKĻU SŪCĒJA APKOPI AR RŪPIBI.** Uzturiet putekļu sūcēju tīru labākai un drošākai veiktspējai. Ievērojiet piederumu nomainīšanas instrukcijas. Uzturiet rokturus sausus, tīrus un brīvus no eļļas un smērvielas.
22. **PĀRBAUDIET, VAI NAV BOJĀTU DAĻU.** Pirms turpināt lietot ierīci, aizsargu vai citu daļu, kas bijusi bojāta, rūpīgi jāpārbauda, lai noteiktu, vai tā pareizi darbosies un izpildīs savas funkcijas. Pārbaudiet, vai kustīgās daļas ir pareizi savienotas, tās var brīvi darboties, daļas nav salūzušas, pārbaudiet montāžu un citus apstākļus, kas var ietekmēt ierīces darbību. Bojāto aizsargu vai citas daļas jāmaina vai to remonts jāveic jāveic pilnvarotā apkopes centrā, ja vien šajā lietošanas rokasgrāmatā nav norādīts citādkā. Bojātus slēdzus nomainiet pilnvarotā apkopes centrā. Neizmantojiet putekļu sūcēju, ja ar slēdzi to nevar ieslēgt un izslēgt.
23. **REZERVES DAĻAS.** Veicot apkopi, izmantojiet tikai identiskas rezerves daļas.
24. **PUTEKĻU SŪCĒJA UZGLABĀŠANA.** Kad putekļu sūcēju neizmanto, tas jāuzglabā iekšstelpās.
25. Mitrie filtri un šķidrums trauka iekšpuse pirms glabāšanas jāizžāvē.
26. Saudzējiet putekļu sūcēju. Nevīžīga apiešanās var sabojāt pat visizturīgāko putekļu sūcēju.
27. Netīriet ierīces ārpusi un iekšpusi ar benzīnu, šķīdinātāju vai citām tīrīšanas ķīmikālijām. Tas var izraisīt plaisas un izbalēšanu.
28. Neizmantojiet putekļu sūcēju ierobežotā vietā, kur izdalās viegli uzliesmojoši, eksplozīvi vai toksiski izgarojumi no eļļas krāsas, krāsas šķīdinātāja, gazoļina, dažiem pretkožu līdzekļiem u. c., vai vietās, kur ir viegli uzliesmojoši putekļi.
29. Neatstājiet putekļu sūcēja vadu uz grīdas pēc tīrīšanas darbu pabeigšanas. Tas rada klupšanas risku vai var izraisīt bojājumus putekļu sūcējam.
30. Nelietojiet šo vai citas ierīces, ja esat narkotiku vai alkohola ietekmē.
31. Galvenais drošības noteikums ir aizsargbrīļļu vai aizsargbrīļļu ar sānu aizsargiem lietošana.
32. Putekļainos apstākļos izmantojiet putekļu masku.
33. Šī mašīna nav paredzēta, ka to izmanto personas, tajā skaitā bērni, ar samazinātām fiziskām, maņu vai garīgām spējām vai personas bez pieredzes un zināšanām.
34. Neatstājiet mazus bērnus bez uzraudzības, lai nepieļautu, ka viņi spēlējas ar putekļu sūcēju.
35. Nesatveriet kontaktdakšas vadu vai putekļu sūcēju ar slapjām rokām.
36. Esiet īpaši uzmanīgi, kad tīrāt uz kāpnēm.
37. Neizmantojiet putekļu sūcēju kā ķebli vai darbagaldū. Mašīna var krist un radīt traumas.

Akumulatora ekspluatācija un apkope

1. Uzlādei izmantojiet tikai ražotāja norādītos lādētājus. Vienam akumulatoru tipam paredzēta lādētāja izmantošana cita tipa akumulatoru uzlādei var radīt ugunsgrēka risku.
2. Izmantojiet mehānizētos darbarīkus tikai ar paredzētajiem akumulatoriem. Jebkura cita tipa akumulatoru izmantošana var radīt ievainojuma un ugunsgrēka risku.
3. Kad akumulatoru neizmantojat, neturiet to blakus metāla priekšmetiem, piemēram, saspraudēm, monētām, atslēgām, naglām, skrūvēm un citiem nelieliem metāla priekšmetiem, kas var savienot spaiļes. Akumulatora spaiļu iesslēgums var izraisīt apdegumus.
4. Nepareizas lietošanas gadījumā šķidrums var iztecēt no akumulatora, nepieskarieties tam. Ja jūs nejausī pieskarāties šķidrumam, izskalojiet saskarsmes vietu ar ūdeni. Ja šķidrums nokļūst acīs, papildus iepriekš minētajam, griezieties pie ārsta. No akumulatora iztekušais šķidrums var izraisīt kairinājumu vai apdegumus.

SAGLABĀJIET TURPMĀKĀM UZZIŅĀM

▲BRĪDINĀJUMS: NEZAUDĒJIET modrību darbarīka lietošanas laikā (tas var gadīties pēc darbarīka daudzkārtējas izmantošanas), rūpīgi ievērojiet urbšanas drošības noteikumus šim izstrādājumam. **NEPAREIZAS LIETOŠANAS** vai šīs rokasgrāmatas drošības noteikumu neievērošanas gadījumā var gūt smagas traumas.

SVARĪGI DROŠĪBAS NOTEIKUMI

AKUMULATORA LIETOŠANAI

1. Pirms akumulatora lietošanas izlasiet visus norādījumus un brīdinājumus, kuri attiecas uz (1) akumulatora lādētāju, (2) akumulatoru un (3) ierīci, kurā tiek izmantots akumulators.
2. Neizjauciet akumulatoru.
3. Ja akumulatora darbības laiks kļūva ievērojami īsāks, nekavējoties pārtrauciet to izmantot. Citādi, tas var izraisīt pārkarsējumu, uzliesmojumu vai pat sprādzienu.

4. Ja elektrolīts nonāk acīs, izskalojiet tās ar tīru ūdens un nekavējoties griežieties pie ārsta. Tas var izraisīt redzes zaudēšanu.
5. Neradiet īssavienojumu akumulatora kasetnē:
 - (1) Neskarieties pie termināliem ar jebkāda veida vadītspējīgiem materiāliem.
 - (2) Neuzglabājiet akumulatoru kasetni kopā ar citiem metāla priekšmetiem, tādiem kā naglas, monētas u.c.
 - (3) Nepakļaujiet akumulatora kasetni ūdens vai lietus iedarbībai.
 Īssavienojums var radīt lielu strāvas plūsmu, pārkaršanu, var radīt apdegumus vai pat bojājumus.
6. Neuzglabājiet darbarīku un akumulatora kasetni vietās, kur temperatūra var sasniegt vai pārsniegt 50°C (122°F).
7. Nededziniet akumulatora kasetni, pat ja tā ir stipri bojāta vai pilnībā nolietota. Akumulatora kasetne ugunī var eksplodēt.
8. Uzmanieties, lai neļautu akumulatoram nokrist un nepakļautu to sitienam.
9. Neizmantojiet bojātu akumulatoru.
10. Uz iekļauto litiņa jonu akumulatoru attiecas tiesību aktu prasības par bīstamo kravu pārvadājumiem.

Komerčiāliem pārvadājumiem, kurus veic, piemēram, trešās personas, ekspeditori, jāievēro īpašas prasības par iepakojumu un marķējumu. Gatavojot precī pārvadāšanai, nepieciešams konsultēties ar speciālistu bīstamo materiālu jautājumos. Nepieciešams ievērot arī iespējami sīkāk izklāstītus valsts tiesību aktus.

Aplīmējiet vai apsedziet atvērtus kontaktus un akumulatoru iepakojiet tā, lai tas nepārvietojas pa iepakojumu.
11. Ievērojiet vietējos noteikumus par akumulatora likvidēšanu.

SAGLABĀJIET ŠOS NORĀDĪJUMUS.

⚠UZMANĪBU! Izmantojiet tikai oriģinālos Makita akumulatorus.

Neoriģinālu Makita akumulatoru vai pārveidotu akumulatoru izmantošana var izraisīt akumulatoru uzsprāgšanu, kā rezultātā var rasties ugunsgrēki, miesas un citi bojājumi. Šāda rīcība anulēs arī Makita darbarīka un lādētāja garantiju.

Ieteikumi akumulatora kalpošanas laika pagarināšanai

1. **Uzlādējiet akumulatora kasetni pirms tā pilnīgi izlādējas.**
Vienmēr, kad ievērojat, ka darbarīka darba jauda zudusi, apturiet darbarīku un uzlādējiet akumulatora kasetni.
2. **Nekad neuzlādējiet pilnībā uzlādētu akumulatora kasetni.**
Pārmērīga uzlāde saīsina akumulatora kalpošanas laiku.
3. **Uzlādējiet akumulatora kasetni istabas temperatūrā 10°C - 40°C (50°F - 104°F).** Karstai akumulatora kasetnei pirms uzlādes ļaujiet atdzist.
4. **Uzlādējiet akumulatora kasetni, ja to neizmantojat ilgu laiku (vairāk nekā sešus mēnešus).**

FUNKCIJU APRAKSTS

Izmantojot ar maiņstrāvu:

⚠BRĪDINĀJUMS:

- **Pirms putekļu sūcēja pievienošanas jaudas avotam pārbaudiet, vai ierīce ir izslēgta.** Ja putekļu sūcēju pievieno jaudas avotam, kad slēdzis ir ieslēgts, tas var ierīci neparedzēti iedarbināt, kas izraisīs nopietnus ievainojumus.

► **Att.1:** 1. Kontaktdakša (forma un vada garums dažādās valstīs var atšķirties)

Pievienojiet kontaktdakšu strāvas padevei.

► **Att.2:** 1. Maiņstrāvas jaudas indikators

Gaidīšanas slēdzi iestatot uz „I”, izgaismojas maiņstrāvas indikators.

PIEZĪME:

- Pat tad, ja ir iestatīts līdzstrāvas režīms, darbarīks automātiski iestata maiņstrāvas režīmu, kad tiek pievienots strāvas padevei.
- Ja darbarīku ekspluatācijas laikā atvieno no strāvas padeves, kad ir ievietots akumulators, putekļu sūcējs nonāk gaidīšanas režīmā.

Izmantojot ar akumulatoru:

Akumulatora kasetnes uzstādīšana un izņemšana

⚠UZMANĪBU:

- Pirms ierīces regulēšanas vai tās darbības pārbaudes vienmēr pārliecinieties, vai putekļu sūcējs ir izslēgts, atvienots no strāvas un akumulatora kasetne ir izņemta.
- **Uzstādot vai izņemot akumulatora kasetni, ierīci un akumulatora kasetni turiet cieši.** Ja ierīci un akumulatora kasetni netur cieši, tie var izkrist no rokām un radīt bojājumus ierīcei un akumulatora kasetnei, kā arī izraisīt ievainojumus.
- **Atverot vai aizverot akumulatora vāku, neiespiediet pirkstus.** Neuzmanoties var radīt sev ievainojumus.

► **Att.3:** 1. Bloķēt 2. Akumulatora vāks

Lai ievietotu akumulatora kasetni, vispirms nospiediet fiksatoru, pēc tam atveriet akumulatora vāku. Un pēc tam ievietojiet akumulatora kasetni.

► **Att.4:** 1. Akumulatora kasetne

Savietojiet akumulatora kasetnes mēlīti ar rievu korpusā un iebīdīet to vietā. Bīdīet to iekšā līdz klikšķim, kas nozīmē, ka tā ir pareizi uzstādīta. Pēc tam nofiksējiet akumulatora vāku.

Lai izņemt akumulatora kasetni, izvelciet to no darbarīka, pārbīdot kasetnes priekšpusē esošo pogu.

PIEZĪME:

- Kad izmantojat putekļu sūcēju ar akumulatoru, atvienojiet putekļu sūcēja kontaktdakšu no pagarinātāja.

⚠ UZMANĪBU:

- Vienmēr ievietojiet akumulatora kasetni pilnībā līdz galam. Pretējā gadījumā tā var nejauši izkrist no darbarīka un radīt jums vai apkārtējiem ievainojumu.
- Neievietojiet akumulatora kasetni ar spēku. Ja kasetne neslīd ietvarā viegli, tā nav pareizi ielikta.

PIEZĪME:

- Putekļu sūcējs nedarbojas ar tikai vienu akumulatora kasetni.

Darbarīka/akumulatora aizsardzības sistēma


Darbarīks ir aprīkots ar darbarīka/akumulatora aizsardzības sistēmu. Šī sistēma automātiski izslēdz jaudas padevi motoram, lai pagarinātu darbarīka un akumulatora kalpošanas laiku.

Darbarīks automātiski pārstās darboties ekspluatācijas laikā, ja darbarīku vai akumulatoru pakļaus kādam no šiem apstākļiem. Dažu apstākļu gadījumā izgaismojas indikatori.

Aizsardzība pret pārslodzi

Ja darbarīks ir pārslogots, tas automātiski pārstāj darboties. Šādā gadījumā izslēdziet darbarīku un pārtrauciet darbību, kas izraisīja darbarīka pārslodzi. Pēc tam ieslēdziet darbarīku un atsāciet darbu.

Aizsardzība pret darbarīka pārkaršanu

<input type="checkbox"/> : ON (ieslēgts)	<input type="checkbox"/> : Mirgo
	

Kad darbarīks ir pārkaršis, tas automātiski pārstāj darboties, un apmēram 60 sekundes mirgo akumulatora indikators. Šādā gadījumā ļaujiet darbarīkam atdzist, pirms vēlreiz darbarīku ieslēdzat.

Aizsardzība pret akumulatora pārmērīgu izlādi

Kad akumulatora jauda ir zema, darbarīks automātiski pārstāj darboties. Ja darbarīks nedarbojas, pat ieslēdzot slēdžus, no darbarīka izņemiet akumulatoru un veiciet akumulatoram uzlādi.

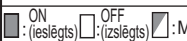




Atlikušās akumulatora jaudas norāde

► **Att.5:** 1. Poga CHECK

► **Att.6**

Nospiediet pārbaudes pogu, lai akumulatora indikatoru norādītu atlikušos akumulatora jaudu. Akumulatora indikatoru atbilst katram akumulatoram.

Atlikušās akumulatora jaudas norāde


















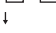
Akumulatora indikatora statuss	Atlikusī akumulatora jauda
 	50% - 100%
	20% - 50%
	0% - 20%
	Uzlādējiet akumulatoru

Atlikušās akumulatora jaudas indikators

Tikai akumulatora kasetnēm ar indikatoru

► **Att.7:** 1. Indikatora lampas 2. Pārbaudes poga

Nospiediet akumulatora kasetnes pārbaudes pogu, lai pārbaudītu akumulatora atlikušo uzlādes līmeni. Indikatoru iedegsies uz dažām sekundēm.

Indikatora lampas			Atlikusī jauda
 Iededzies	 Izslēgts	 Mirgo	
			No 75% līdz 100%
			No 50% līdz 75%
			No 25% līdz 50%
			No 0% līdz 25%
			Uzlādējiet akumulatoru.
 	 	 	Iespējama akumulatora kļūme.

PIEZĪME: Reālā jauda var nedaudz atšķirties no norādītās atkarībā no lietošanas apstākļiem un apkārtējās temperatūras.

Slēdža darbība

► **Att.8:** 1. Gaidīšanas slēdžis 2. Ieslēgšanas poga 3. Sūkšanas jaudas regulēšanas kloķis

Lai putekļu sūcēju iedarbinātu:



1. Gaidīšanas slēdzi iestatiet uz „I”. Putekļu sūcējs ir gaidīšanas režīmā.

2. Nospiediet jaudas pogu.

Lai putekļu sūcējam iestāftu gaidīšanas režīmu, vēlreiz nospiediet jaudas pogu.

Lai putekļu sūcēju izslēgtu, gaidīšanas slēdzi iestatiet uz „O”.

Sūkšanas jaudu var noregulēt atbilstoši jūsu darba vajadzībām.

Sūkšanas jaudu var palielināt, pagriežot sūkšanas jaudas regulēšanas kloķi no simbola  uz simbolu .

PIEZĪME:

- Kad putekļu sūcēju neizmantojat ilgu laiku, gaidīšanas slēdzi vienmēr iestatiet uz „O”. Putekļu sūcējs gaidīšanas režīmā patērē strāvu.

Automātiska sūkšanas apturēšana mitrās sūkšanas laikā (auduma filtra modelim)

BRĪDINĀJUMS:

- **Neizmantojiet ierīci ilgu laiku, kamēr darbojas pludiņš.** Ja ierīci izmanto ilgu laiku, kamēr darbojas pludiņš, tas var izraisīt pārkaršanu, kas radīs putekļu sūcēja deformāciju.
- **Nesūciet putas vai ziepjainu šķidrumu.** Ja sūksiet putas vai ziepjainu šķidrumu, putas var izkļūt cauri gaisa izplūdes atverei, pirms nostrādā pludiņš. Turpinot lietot putekļu sūcēju šādā stāvoklī, var izraisīt elektriskās strāvas triecienu un putekļu sūcēja saplīšanu.

Automātiska sūkšanas apturēšana darbojas tikai tad, ja izmanto pludiņu un pludiņa telpu.

Putekļu sūcējam ir pludiņa mehānisms, kas neļauj ūdenim iekļūt motorā, kad tiek iesūkts vairāk nekā noteiktais ūdens daudzums.

Kad tvertne ir pilna un putekļu sūcējs vairs nevar iesūkt ūdeni, izslēdziet ierīci un iztukšojiet tvertni.

Riteņa bloķēšana un atbloķēšana

- **Att.9:** 1. Sešskaldņu 2. Aiztura svira 3. BRĪVS stāvoklis 4. Fiksētā pozīcija

Lai riteni nobloķētu ar sprūdu, nolaidiet sprūda sviru, tad ritenis vairs negriezīsies. Lai atbloķētu riteni no bloķētā stāvokļa, paceliet sprūda sviru.

Riteņa nobloķēšana ir noderīga, kad putekļu sūcēju novieto glabāšanā, uz laiku pārtrauc darbu un, ja ierīcei nepieciešams būt nekustīgai.

Lai mainītu sprūda stāvokli, dariet to ar roku.

PIEZĪME:

- Pirms putekļu sūcēja pārvietošanas pārbaudiet, vai ritenis ir atbloķēts. Ja putekļu sūcēju pārvieto ar nobloķētu riteni, tas var sabojāt riteni.

Pārnēsāšanas rokturis

- **Att.10**

Pārvietojot putekļu sūcēju, nesiet to, turot aiz roktura, kas atrodas ierīces augšdaļā. Kad rokturi neizmanto, to var ievietot ierīces augšdaļā.

DETAĻU APRAKSTS

Modelis DVC860L

(Auduma filtra modelis (sausiem mitriem putekļiem))

- **Att.11:** 1. Tvertnes vāks 2. Pludiņš 3. Pludiņa telpa 4. Auduma filtrs 5. Tvertne

Modelis DVC861L

(Pulvera filtra modelis (sausiem putekļiem))

- **Att.12:** 1. Tvertnes vāks 2. Pulvera filtrs (HEPA) 3. Buferis 4. Priekšfiltrs 5. Tvertne

MONTĀŽA

UZMANĪBU:

- Pirms jebkāda darba veikšanas putekļu sūcējam vienmēr pārliecinieties, vai ierīce ir izslēgta, atvienota no strāvas un akumulatora kasetne ir izņemta.
- Montāžas vai apkopes laikā vienmēr valkājiet putekļu masku.

Pulvera filtra (HEPA) un priekšfiltra (sausajiem putekļiem) uzstādīšana

Papildpiederums modelim ar auduma filtru

UZMANĪBU:

- Kad izmantojat pulvera filtru, nesūciet ūdeni vai citus šķidrumus, vai mitrus putekļus. To sūkšana var izraisīt pulvera filtra saplīšanu.

- **Att.13:** 1. Tvertnes vāks 2. Pulvera filtrs (HEPA) 3. Buferis 4. Priekšfiltrs 5. Tvertne 6. Piestiprināšanas stāvokļa marķējums

- **Att.14:** 1. Pludiņš 2. Pludiņa telpa

Lai izmantotu pulvera filtru, pēc skrūvju atskrūvēšanas noņemiet pludiņa telpu un pludiņu.

Ievietojiet priekšfiltru tvertnē.

Pēc tam buferi ielieciet pulvera filtru un ievietojiet priekšfiltru.

Uzstādot pulvera filtru un priekšfiltru, uz tiem esošais piestiprināšanas stāvokļa marķējums jāsavieto ar to, kas atrodas tvertnes augšpusē.

Beigās piestipriniet tvertnes vāku un to nofiksējiet.

PIEZĪME:

- Pirms pulvera filtra izmantošanas vienmēr pārbaudiet, vai kopā tiek izmantots priekšfiltrs un buferis. Pulvera filtru nedrīkst uzstādīt vienu pašu.

Ūdens filtra (papildpiederums) uzstādīšana (auduma filtra modelim)

⚠ UZMANĪBU:

- Nekad nesūciet ūdeni vai mitrus putekļus, ja nav uzstādīts pludiņš un auduma filtrs vai ūdens filtrs.
- Lai sūktu mitrus putekļus, uz putekļu sūcēja uzstādiet pludiņa telpu un pludiņu.
- Kad tvertnei uzstādāt ūdens filtru, to uz tvertnes atveres novietojiet cieši – tā, lai ūdens filtra āķis cieši piestiprinās pie tvertnes atveres un starp ūdens filtru un tvertni nepaliek atstarpe.

PIEZĪME:

- Kad atkārtoti sūcat lielu daudzumu ūdens, ieteicams izmantot ūdens filtru. Citādi, izmantojot auduma filtru, var tikt samazināta vakuuma jauda.
- **Att.15:** 1. Ūdens filtrs 2. Tvertne 3. Piestiprināšanas stāvokļa marķējums

Lai sūktu tikai ūdeni vai mitrus putekļus, piemērotāks ir ūdens filtrs, nevis auduma filtrs.

Uzstādot ūdens filtru, savietojiet piestiprināšanas stāvokļa marķējumu ar to, kas atrodas uz tvertnes.

Papīra saiņa (papildpiederums) uzstādīšana

⚠ BRĪDINĀJUMS:

- Ja izmantojat papīra saini, lietojiet to kopā ar auduma filtru vai priekšfiltru, kas jau ir uzstādīts uz darbarīka. Ja neizmantošit kopā ar auduma filtru vai priekšfiltru, tas var radīt neparastu troksni un karstumu, izraisot ugunsgrēku.

⚠ UZMANĪBU:

(Auduma filtra modelim)

- Kad izmantojat papīra saini, nesūciet ūdeni vai citus šķidrumus, vai mitrus putekļus. Sūcot iepriekšminēto, papīrs var saplīst.
- Pirms papīra saiņa izmantošanas vienmēr pārbaudiet, vai kopā tiek izmantots pulvera filtrs (papildpiederums), buferis (papildpiederums) un priekšfiltrs.

(Pulvera filtra modelim)

- Pirms papīra saiņa izmantošanas vienmēr pārbaudiet, vai kopā tiek izmantots pulvera filtrs, buferis un priekšfiltrs.

1. Noņemiet gumijas turētāju.

► **Att.16:** 1. Gumijas turētājs

2. Atlokiet papīra saini.

3. Novietojiet papīra saiņa atveri pret putekļu sūcēja putekļu sūkšanas atveri.

4. Ievietojiet papīra saiņa kartona daļu turētājā tā, lai aizmugurē tas atrodas aiz turošā izvirkuma.

► **Att.17:** 1. Papīra sainis 2. Tureklis

Polietilēna maisa ievietošana

Putekļu sūcēju var izmantot arī bez polietilēna maisa. Tomēr ar polietilēna maisu ir vieglāk iztukšot tvertni, nenosmērējot rokas.

► **Att.18:** 1. Turētāja plāksne 2. Polietilēna maiss

Iekļājiēt polietilēna maisu tvertnē. Ievietojiet to starp turētāja plāksni un tvertni un pavelciet to uz šļūtenes ievades pusi.

Nostipriniet maisu ap tvertnes augšpusi tā, lai to aizķer un cieši notur priekšfiltra mala.

PIEZĪME:

- Var izmantot tirgū pieejamos polietilēna maisus. Ieteicams izmantot maisu, kura biezums ir 0,04 mm vai vairāk.
- Pārāk daudz putekļu maisu var viegli saplēst, tādēļ nesūciet vairāk putekļu nekā pusi no maisa tilpuma.

Polietilēna maisa iztukšošana

⚠ BRĪDINĀJUMS:

- Pirms polietilēna maisa iztukšošanas vienmēr pārbaudiet, vai putekļu sūcējs ir izslēgts un atvienots no jaudas padeves. Ja to neievēro, var izraisīt elektriskās strāvas triecienu un nopietnus ievainojumus.

⚠ UZMANĪBU:

- Pludiņa telpu un tvertni sargājiēt no spēcīgiem triecieniem. Spēcīgs trieciens var izraisīt šo daļu deformāciju un bojājumus.
- Iztukšojiet tvertni vismaz vienreiz dienā, lai gan tas ir atkarīgs no tvertnē iesūkto putekļu daudzuma. Citādāk sūkšanas jauda samazināsies, un var saplīst motors.
- Iztukšojot tvertni, nesatveriet to aiz āķa. Ja satver aiz āķa, āķi var nolauzt.

Atkāžjiēt un paceliet tvertnes vāku.

► **Att.19**

Nokratiet putekļus no auduma filtra / pulvera filtra, pēc tam no tvertnes izņemiet polietilēna maisu.

PIEZĪME:

- Polietilēna maisu ņemiet ārā no tvertnes uzmanīgi, lai tas iztukšošanas laikā neaizķertos aiz izvirkjumiem tvertnes iekšpusē un nesaplīstu.
- Polietilēna maisu iztukšojiet, pirms tas ir pilns. Pārāk daudz putekļu maisu var saplēst.

Instrumentu kastes uzstādīšana

► **Att.20**

1. Atlaidiet akumulatora vāka fiksatoru, pēc tam atveriet akumulatora vāku.
2. Instrumentu kastes sliedes ievietojiet rievās uz korpusa.
3. Aizveriet akumulatora vāku un to nofiksējiēt.

► **Att.21**

Instrumentu kastē ir ērti pārnēsāt akumulatorus, pagarinātāju, cauruli vai uznavas.

Šļūtenes pievienošana

⚠ UZMANĪBU:

- Nekad nelokiet un nespiediet cauruli. Nekad nepārvietojiet putekļu sūcēju, turot aiz šļūtenes. Ja šļūteni loka, spiež vai rauj, šļūteni var saplēt vai deformēt.
- Savācot lielus atkritumus, piemēram, ēvelēšanas atgriezumus, betona putekļus vai līdzīgus materiālus, izņemot mazos atkritumus, izmantojiet 38 mm iekšējā diametra šļūteni (papildpiederums). Šļūtenes ar 28 mm iekšējo diametru (papildpiederums) izmantošana var izraisīt šļūtenes aizsprostošanos un bojājumus.

► Att.22

Ievietojiet šļūteni tvertnes montāžas atverē un pagrieziet pulksteņrādītāja virzienā, līdz tā nobloķējas.

APKOPE

⚠ UZMANĪBU:

- Pirms darbarīka pārbaudes vai apkopes vienmēr pārliecinieties, vai darbarīks ir izslēgts, atvienots no strāvas un akumulatora kasetne ir izņemta.

Strāvas vada uzglabāšana

► Att.23

Strāvas vadu varat aptīt ap instrumentu kasti.

Piederumu uzglabāšana

► Att.24

► Att.25

Caurules var ievietot caurules turētājā, kad putekļa sūcēja lietošanu īslaicīgi pārtrauc.

► Att.26

Šļūteni var uzglabāt, aptinot ap darbarīku un savienojot tās galus.

Tīrīšana

⚠ UZMANĪBU:

- Nekad neizmantojiet gazoļīnu, benzīnu, atšķaidītāju, spirtu vai līdzīgus šķīdumus. Tas var radīt izbalēšanu, deformāciju vai plaisas.

Auduma filtra tīrīšana

Tikai modelim ar auduma filtru

► Att.27

Aizsērējis auduma filtrs izraisa sūkšanas jaudas pasliktināšanos.

Laiku pa laikam iztīriet auduma filtru.

Lai notīrītu putekļus vai daļiņas, kas pieķērušās auduma filtram, vairākas reizes ātri pakratiet karkasa apakšdaļu.

Pulvera filtra (HEPA) un priekšfiltra tīrīšana

Tikai modelim ar pulvera filtru

Nosprostots pulvera filtrs, priekšfiltrs un buferis var samazināt sūkšanas jaudu.

Regulāri tīriet filtrus un buferus.

Lai notīrītu putekļus vai daļiņas, kas pieķērušās filtriem, vairākas reizes ātri pakratiet karkasa apakšdaļu.

► Att.28

Palaikam nomazgājiet pulvera filtru ūdenī, noskalojiet un pirmis lietošanas ēnā nožāvējiet. Filtrus nekad nemazgājiet veļas mazgājamā mašīnā.

PIEZĪME:

- Nekasiet un neskrāpējiet pulvera filtru, priekšfiltru vai buferi ar cietiem priekšmetiem, piemēram, birsti vai lāpstiņu.
- Filtri laika gaitā nolietojas. Tādēļ ieteicams glabāt rezerves filtrus.

Lai saglabātu produkta DROŠU un UZTICAMU darbību, remontdarbus, apkopi un regulēšanu uzticiet veikt tikai Makita pilnvarotam apkopes centram un vienmēr izmantojiet tikai Makita rezerves daļas.

PAPILDU PIEDERUMI

⚠ UZMANĪBU:

- Šādi piederumi un rīki tiek ieteikti lietošanai ar šajā pamācībā aprakstīto Makita instrumentu. Jebkādu citu piederumu un rīku izmantošana var radīt traumu briesmas. Piederumu vai rīku izmantojiet tikai tā paredzētajam mērķim.

Ja jums vajadzīga palīdzība vai precīzāka informācija par šiem piederumiem, vērsieties savā tuvākajā Makita apkopes centrā.

- Makita oriģinālais akumulators un lādētājs
- Šļūtene
- Priekšējās uzmavas (22, 24, 38)
- Taisnā caurule
- Stūra sprausla
- Apaļā suka
- Pulvera filtrs, HEPA (sausajiem putekļiem)
- Buferis
- Priekšfiltrs
- Sprauslas montējums
- Liektā caurule
- Polietilēna maiss
- Ūdens filtrs (izvēles iespēja auduma filtra modelim)
- Papīra sainis
- Turekļa ierīce

PIEZĪME:

- Daži sarakstā norādītie izstrādājumi var būt iekļauti instrumenta komplektācijā kā standarta piederumi. Tie dažādās valstīs var būt atšķirīgi.

ĮSPĖJIMAS

Šį prietaisą leidžiama naudoti vaikams nuo 8 metų amžiaus ir asmenims, turintiems psichinių, jutiminių ar protinių negalių, arba žmonėms, neturintiems patirties bei žinių, su sąlyga, kad jie bus prižiūrimi arba instruktuojami apie tai, kaip saugiai naudoti šį prietaisą, ir supras atitinkamus pavojus. Neleiskite vaikams žaisti su šiuo prietaisu. Be suaugusiųjų priežiūros vaikams draudžiama valyti ir techniškai prižiūrėti šį prietaisą.

SPECIFIKACIJOS

Modelis		DVC860L	DVC861L
Standartinio tipo filtras		Medžiaginis filtras (sausajam ir šlapiajam valymui)	Filtras su milteliais (sausajam valymui)
(Oro) srauto greitis	Naudojimas prijungus prie nuolatinės elektros srovės šaltinio (su BL1830, ø38 mm x 2,5 m žarna)	2,1 m ³ /min	
	Naudojimas prijungus prie kintamosios srovės šaltinio (su ø38 mm x 2,5 m žarna)	3,6 m ³ /min	
Vakuumas	Naudojimas prijungus prie nuolatinės elektros srovės šaltinio (su BL1830, ø38 mm x 2,5 m žarna)	90 hPa	
	Naudojimas prijungus prie kintamosios srovės šaltinio (su ø38 mm x 2,5 m žarna)	240 hPa	
Grąžintas tūris	Dulkės	8 l	
	Vanduo	6 l	-
Matmenys (I x P x A)		366 mm x 334 mm x 368 mm	
Nominali įtampa (naudojant akumuliatorių)		Nuol. sr. 36 V	
Standartinės akumuliatoriaus kasetės		BL1815N, BL1820, BL1820B, BL1830, BL1830B, BL1840, BL1840B, BL1850, BL1850B, BL1860B	
Bendrasis svoris (su BL1815N / BL1820)		8,6 kg	9,3 kg
Bendrasis svoris (su BL1830 / BL1840 / BL1850)		9,2 kg	9,9 kg
Saugos klasė		□/II	

- Atliekame nepertraukiamus tyrimus ir nuolatos tobuliname savo gaminius, todėl čia pateikiamos specifikacijos gali būti keičiamos be įspėjimo.
- Įvairiose šalyse specifikacijos gali skirtis.
- Svoris su akumuliatoriaus kasete pagal Europos elektrinių įrankių asociacijos metodiką „EPTA-Procedure 01/2003“
- Norint siurbti šlapius nešvarumus, reikia plūdės ir vandens filtro arba medžiaginio filtro.

Simboliai

Žemiau yra nurodyti įrangai naudojami simboliai. Prieš naudodami įsitikinkite, kad suprantate jų reikšmę.



Skaitykite naudojimo instrukciją.



Būkite itin atsargūs ir dėmesingi.



Įspėjimas! Valymo įrenginyje gali būti pavojingų dulkių.



Niekada nestovėkite ant valymo įrenginio.



Dulkių klasė „L“ (žema). Valymo įrenginiai gali surinkti L klasės dydžio dulkes. Vadovaukitės savo šalyje galiojančiais reglamentais dėl dulkių surinkimo ir sveikatos bei saugos darbo vietoje.



Tiktai ES valstybėms
Neišmeskite elektros įrangos arba akumu-
liatoriaus bloko į buitinius šiukšlynus!
Atsižvelgiant į ES direktyvas dėl elektros ir
elektroninės įrangos atliekų ir dėl baterijų ir
akumuliatorių bei baterijų ir akumuliatorių
atliekų ir šių direktyvų siekių įgyvendinimą
pagal nacionalinius įstatymus, elektros
įrangos ir baterijų bei akumuliatorių atliekas
būtina surinkti atskirai nuo kitų buitinių
atliekų ir atiduoti antrinių žaliavų perdirbimo
aplinkai nekenksmingu būdu punktą.

Numatytoji paskirtis

Įrankis skirtas šlapioms ir sausoms dulkėms surinkti.
Šis įrankis tinkamas komerciniams naudojimui, pavyz-
džiui, viešbučiuose, mokyklose, ligoninėse, gamyklose,
parduotuvėse, biuruose ir nuomos verslo įmonėse.

Maitinimo šaltinis

Šį įrankį reikia jungti tik prie tokio maitinimo šaltinio, kurio
įtampa atitinka nurodytą įrankio duomenų plokštelėje;
galima naudoti tik vieną kintamosios srovės maitinimo
šaltinį. Jie yra dvigubai izoliuoti, todėl gali būti naudojami
prijungus prie elektros lizdų be atžeminimo laido.

Triukšmas

Tipiškas A svertinis triukšmo lygis nustatytas pagal EN/
IEC60704:

Garso slėgio lygis (L_{pA}): 75 dB (A)

Paklaida (K): 2,5 dB (A)

Dirbant triukšmo lygis gali viršyti 80 dB (A).

Dėvėkite ausų apsaugas

Vibracija

Vibracijos bendroji vertė (trijų ašių vektorinė suma)
nustatyta pagal IEC 60335-2-69:

Vibracijos emisija (a_{h1}): 2,5 m/s² arba mažiau

Paklaida (K): 1,5 m/s²

Tik Europos šalims

ES atitikties deklaracija

**Bendrovė „Makita“ atsakingai pareiškia, kad šis
įrenginys (-iai):**

Mechanizmo paskirtis:

Laidinis ir akumuliatorinis vakuuminis valymo įrenginys

Modelio Nr./ tipas: DVC860L, DVC861L

Atitinka šias Europos direktyvas:

2006/42/EC

Yra pagaminti pagal šį standartą arba normatyvinius
dokumentus:

EN60335

Techinių dokumentų pagal 2006/42/EB galima gauti iš:

Makita, Jan-Baptist Vinkstraat 2, 3070, Belgija (Belgija)

25.9.2014

Yasushi Fukaya
Direktorius

Makita, Jan-Baptist Vinkstraat 2, 3070, Belgija
(Belgija)

SAUGOS ĮSPĖJIMAI DĖL LAIDINIO IR AKUMULIATORINIO VALYMO ĮRENGINIO NAUDOJIMO

**⚠️ ĮSPĖJIMAI! SVARBU: PRIEŠ PRADĖDAMI
NAUDOTI, ATIDŽIAI PERSKAITYKITE visus saugos
įspėjimus ir nurodymus.** Nesilaikydami toliau pateiktų
įspėjimų ir nurodymų, galite patirti elektros smūgį,
gaisrą ir (arba) sunkų sužeidimą.

- Prieš pradėdami naudoti, įsitikinkite, kad šį valymo įrenginį naudotų tik tie žmonės, kurie yra tinkamai išmokyti, kaip naudoti šį valymo įrenginį.**
- Jeigu veržiasi putos/skystis, tuoj pat išjunkite.**
- Reguliariai valykite vandens lygio ribojimo įtaisą ir tirkinkite, ar nėra jo sugadinimo požymių.**
- Nenaudokite valymo įrenginio be filtro. Pažeistą filtrą nedelsdami pakeiskite nauju.**
- ILGINIMO LAIDO NAUDOJIMAS.** Jeigu dėl didelio atstumo iki maitinimo šaltinio naudo-
jate ilginimo laidą, bandykite naudoti laidą,
kuris būtų pakankamai storas, bet ne per ilgas,
kitaip bus neigiamai paveiktas valymo įren-
ginio veikimas. Dirbdami lauke, naudokite ilgi-
nimo laidą, kuris yra tinkamas naudoti lauke.
- ĮSPĖJIMAS DĖL ĮTAMPOS:** Prieš jungdami valymo
įrenginį į maitinimo šaltinį (kištukinį lizdą, sieninį
lizdą ir pan.), įsitikinkite, ar jo įtampa atitinka nuro-
dytą valymo įrenginio techninių duomenų lente-
lėje. Jeigu maitinimo šaltinio įtampa bus didesnė
nei nurodytoji ant valymo įrenginio, galite būti
SUNKIAI SUŽEISTI ir sugadinti valymo įrenginį.
Jeigu abejojate, NEJUNKITE VALYMO ĮRENGINIO
Į MAITINIMO TINKLĄ. Naudojant maitinimo šaltinį,
kurio įtampa yra mažesnė nei nurodytoji techninių
duomenų lentelėje, gadinamas variklis.
- VENKITE NETYČINIO PALEIDIMO.** Jungdami į
tinklą, įsitikinkite, kad jungiklis yra išjungimo
padėtyje OFF.
- Nebandykite susiurbti degių medžiagų, fejer-
verčių, degančių cigarečių, karštų pelėnų, įkai-
tusių metalo drožlių, aštrių daiktų, pavyzdžiui,
skutimosios peiliukų, adatų, stiklo duženų ir pan.**
- NIEKADA NENAUDOKITE VALYMO ĮRENGINIO
ŠALIA BENZINO, DUJŲ, DAŽŲ, KLJŲ ARBA
KITŲ LABAI DEGIŲ MEDŽIAGŲ.** Įjungiant arba
išjungiant jungiklį, kyla kibirkštys. Įrenginiui
veikiant, kibirkščiuota ir variklio srovės keiti-
klis. Gali kilti pavojingas sprogdimas.
- Niekada nesiurbkite nuodingų, kancerogeninių,
degių arba kitų pavojingų medžiagų, pavyzdžiui,
asbesto, arseno, bario, berilio, švino, pesticidų ir
kitų sveikatai pavojingų medžiagų.**
- Niekada nenaudokite valymo įrenginio lauke
lietui lyjant.**
- Nenaudokite prie šilumos šaltinių (krosnių ir pan.).**
- APSAUGA NUO ELEKTROS SMŪGIO.** Stenkitės
nesiliesti kūnu prie įžemintų paviršių. Pavyzdžiui,
vamzdžių, radiatorių, viryklių, šaldytuvų.
- Neužblokuokite aušinimo angų.** Šios ventiliacijos
angos skirtos varikliui aušinti. Stenkitės jų neužblo-
kuoti, kitaip dėl vėdinimo trūkumo perdeg variklis.
- Visada stovėkite tvirtai, stenkitės išlaikyti
pusiausvyrą.**

16. **SAUGOKITE LAIDA.** Niekada neneškite valymo įrenginio, laikydami už laido, ir netraukite už jo, išjungdami iš elektros lizdo. Saugokite laidą nuo karščio, alyvos ir aštrių kraštų. Reguliariai tikrinkite valymo įrenginio laidus ir, jeigu jie pažeisti, atiduokite pataisyti į įgaliotąjį techninio aptarnavimo centrą. Reguliariai tikrinkite ilginimo laidus ir, jeigu jie pažeisti, pakeiskite.
17. Nesulenkite, neįtemptkite ir neatsistokite ant žarnos.
18. Nedelsdami išjunkite valymo įrenginį, jeigu pastebėtumėte, jog jis prastai arba neįprastai veikia.
19. **ATJUNKITE VALYMO ĮRENGINĮ NUO MAITINIMO TINKLO.** Kai jo nenaudojate, prieš atlikdami remonto arba techninės priežiūros darbus ir keisdami priedus.
20. Norėdami, kad valymo įrenginys veiktų geriausiai, kiekvieną kartą jį panaudoję, nuvalykite jį ir atlikite techninę jo priežiūrą.
21. **TINKAMAI PRIŽIURĖKITE VALYMO ĮRENGINĮ.** Kad darbas vyktų geriau ir saugiau, valymo įrenginys visuomet turi būti švarus. Laikykites priedų keitimo nurodymų. Rankenos turi būti sausos, švarios ir neišteptos tepalu.
22. **PATIKRINKITE, AR NĖRA SUGEDUSIŲ DALIŲ.** Prieš toliau naudodami valymo įrenginį, atidžiai apžiūrėkite sugadintą apsauginį įtaisą ar kitą dalį ir nustatykite, ar ji veiks tinkamai ir atliks savo funkciją. Tikrinkite judančių dalių išlygiavimą, ar jos suveržtos, ar nėra sulūžusių dalių, ar tinkamas montavimas ar kiti aspektai, svarbūs įrankio veikimui. Sugadintą apsauginį įtaisą ar kitą dalį reikia tinkamai remontuoti arba pakeisti įgaliotajame techninio aptarnavimo centre, nebent šioje instrukcijoje nurodyta kitaip. Sugedusius jungiklius turi pakeisti įgaliotas priežiūros centras. Nenaudokite valymo įrenginio, jeigu jo jungiklis jo neįjungia arba neišjungia.
23. **ATSARGINĖS DALYS.** Prižiūrėdami naudokite tik identiškas atsargines dalis.
24. **VALYMO ĮRENGINYS TURI BŪTI LAIKOMAS IŠJUNGTAS.** Nenaudojamą valymo įrenginį privaloma laikyti patalpoje.
25. Prieš padedant įrenginį į vietą, drėgni filtrai ir vidinė skysčio indo dalis turi būti išdžiovinti.
26. Saugokite valymo įrenginį. Šiurkščiai naudojami, gali sugesti net ir tvirčiausi valymo įrenginiai.
27. Nebandykite valyti išorinių arba vidinių dalių benzinu, tirpikliu arba cheminėmis valymo medžiagomis. Jos gali įtrūkti arba išblukti.
28. Nenaudokite valymo įrenginio uždaroje patalpoje, kurioje yra degių, sprogių arba nuodingų garų, kuriuos skleidžia aliejiniai dažai, dažų skiedikliai, benzinas, kai kurios kandžių neėdamos medžiagos ir pan., arba tokiose vietose, kuriose yra degių dulkių.
29. Pabaigę valymo darbus, nepalikite valymo įrenginio laido gulėti ant grindų. Už jo kas nors gali užkliūti ir susižeisti arba sugadinti patį valymo įrenginį.
30. Nenaudokite šio arba bet kokio kito įrenginio, kai esate apsvaigę nuo narkotikų arba alkoholio.
31. Pagrindinė saugos taisyklė: dėvėkite apsauginius darbo akinius arba apsauginius akinius su šoniniais skydeliais.
32. Dirbdami dulkėtoje aplinkoje, dėvėkite respiratorių.
33. Šis įrenginys nėra skirtas naudoti asmenims (įskaitant vaikus), turintiems fizinių, jutimo ar dvasios negalių arba stokojantiems patirties ir žinių.
34. Prižiūrėkite mažus vaikus, kad jie nežaistų su šiuo valymo įrenginiu.
35. Niekada nelieskite elektros kištuko arba valymo įrenginio šlapiomis rankomis.
36. Būkite itin atsargūs, valydami laiptus.
37. Nenaudokite šio valymo įrenginio vietų kėdės arba darbatalio. Įrenginys gali nuvirtti ir sužeisti.

Akumulatoriaus maitinamų įrankių naudojimas ir priežiūra

1. Įkraukite naudodami tik gamintojo nurodytą kroviklį. Vieno tipo akumulatoriui tinkantis kroviklis, naudojamas kitai akumulatoriaus kasetei krauti, gali kelti gaisro pavojų.
2. Elektrinius įrankius naudokite tik su specialiai jiems skirtais akumulatoriais. Naudojant kitos rūšies akumulatorių kasetes, galima susižeisti arba sukelti gaisrą.
3. Kai akumulatorius nėra naudojamas, laikykite jį toliau nuo kitų metalinių daiktų, pavyzdžiui, popieriaus sąvaržėlių, monetų, raktų, vinių, varžtų ir kitų mažų metalinių daiktų, dėl kurių gali kilti trumpasis jungimas tarp kontaktų. Sulietę akumulatoriaus gnybtus, galite nusideginti.
4. Netinkamai naudojant, iš akumulatoriaus gali ištekėti skysčio; venkite sąlyčio su juo. Jei šaltis atsitiktinai įvyko, gausiai nuplaukite vandeniu. Jei skysčio pateko į akis, kreipkitės į gydytoją. Iš akumulatoriaus išbėgęs skystis gali sudirginti arba nudeginti odą.

IŠSAUGOKITE ATEIČIAI

⚠️ ĮSPĖJIMAS: NELEISKITE, kad patogumas ir gaminio pažinimas (įgyjamas pakartotinai naudojant) susilpnintų griežtą saugos taisyklių, taikytinų šiam gaminiui, laikymąsi. **DĖL NETINKAMO NAUDOJIMO** arba saugos taisyklių nesilaikymo, kurios pateiktos šioje instrukcijoje galima rimtai susižeisti.

SVARBIOS SAUGOS INSTRUKCIJOS

AKUMULATORIAUS KASETEI

1. Prieš naudodami akumulatoriaus kasetę, perskaitykite visas instrukcijas ir perspėjimus ant (1) akumulatorių kroviklio, (2) akumulatoriaus ir (3) akumulatorių naudojančio gaminio.
2. Neardykite akumulatoriaus kasetės.
3. Jei įrankio darbo laikas žymiai sutrumpėjo, nedelsdami nutraukite darbą su įrankiu. Tai kelia perkaitimo, nudegimų ar net sprogdimo pavojų.

4. Jei elektrolitas pateko į akis, plaukite jas tyru vandeniu ir nedelsdami kreipkitės į gydytoją. Yra regėjimo praradimo pavojus.
5. Neužtrumpinkite akumulatoriaus kasėtės:
 - (1) Kontaktų nelieskite jokiais elektra laidžiomis medžiagomis.
 - (2) Venkite laikyti akumulatoriaus kasetę kartu su kitais metaliniais daiktais, pavyzdžiui, vinimis, monetomis ir .t. t..
 - (3) Saugokite akumulatoriaus kasetę nuo vandens ir lietaus.

Trumpasis jungimas akumulatoriuje gali sukelti stiprią srovę, perkaitimą, galimus nudegimus ar net akumulatoriaus gedimą.
6. Nelaikykite įrankio ir akumulatoriaus kasėtės vietoje, kur temperatūra gali pasiekti ar viršyti 50°C (122°F).
7. Nedeginkite akumulatoriaus kasėtės, net jei yra stipriai pažeista ar visiškai susidėvėjusi. Ugnyje akumulatoriaus kasetė gali sprogti.
8. Saugokite akumuliatorių nuo kritimo ir smūgių.
9. Nenaudokite pažeisto akumulatoriaus.
10. Ličio jonų akumulatoriams taikomi pavojingų prekių vežimo teisiniai reikalavimai.

Komerčinės transporto įmonės, pvz. trečiosios šalys, siuntų pristatymo tarnybos, privalo vadovautis ant pakuočių ir etikečių nurodytais specialiais reikalavimais. Ruošiant prekę siuntimui, privaloma pasitarti su pavojingų medžiagų tvarkymo ekspertais. Taip pat laikykites galimai taikytinų detalesnių nacionalinių reglamentų.

Užklijuokite arba uždenkite atvirus kontaktus ir supakuokite akumuliatorių taip, kad jis pakuotėje nejudėtų.
11. Vadovaukitės vietos įstatymais dėl akumuliatorių išmetimo.

SAUGOKITE ŠIAS INSTRUKCIJAS.

⚠️PERSPĖJIMAS: Naudokite tik originalius „Makita“ akumuliatorius.

Naudojant neoriginalius „Makita“ akumuliatorius arba perdirbtus akumuliatorius, akumuliatorius gali sprogti ir sukelti gaisrą, sužaloti jus bei padaryti žalos turtui. Taip pat nebegalios „Makita“ garantija, taikoma „Makita“ įrankiui ir krovikliui.

Patarimai, ką daryti, kad akumuliatorius tarnautų kuo ilgiau

1. **Kraukite akumulatoriaus kasetę prieš jai visiškai išsikraunant.** Visuomet nustokite naudoti įrankį ir kraukite akumulatoriaus kasetę, kai pastebite sumažėjusią įrankio galią.
2. **Niekada nekraukite iki galo įkrautos akumulatoriaus kasėtės.** Per didelės įkrovimas trumpina akumulatoriaus eksploatacijos laiką.
3. **Kraukite akumulatoriaus kasetę kambario temperatūroje 10°C - 40°C (50°F - 104°F).** Prieš kraudami leiskite atvėsti karštai akumulatoriaus kasetei.
4. **Įkraukite akumulatoriaus, jeigu jos ilgai nenaudojate (ilgiau nei šešis mėnesius).**

VEIKIMO APRAŠYMAS

Naudodami kintamosios srovės energiją:

⚠️PERSPĖJIMAS:

- **Prieš įjungdami valymo įrenginį į maitinimo tinklą, visada patikrinkite, ar jis yra išjungtas.** Įjungus valymo įrenginį su įjungtu jungikliu, jis gali netikėtai pasileisti ir sunkiai jus sužeisti.

- **Pav.1:** 1. Kištukas ir lizdas (forma ir laido ilgis įvairiose šalyse gali skirtis)

Įjunkite kištuką į elektros lizdą.

- **Pav.2:** 1. Kintamosios srovės maitinimo indikatorius

Pastūmus parengties jungiklį į „I“ pusę, užsidega kintamosios srovės maitinimo indikatorius.

PASTABA:

- Veikiant nuolatinės srovės maitinimo režimui, prijungus įrankį prie elektros tinklo, jis automatiškai pradės veikti kintamosios srovės maitinimo režimu.
- Jeigu įrankis su įdėtu akumulatoriumi bus atjungtas nuo elektros tinklo, valymo įrenginys veiks parengties režimu.

Naudodami akumuliatorių:

Akumulatoriaus kasėtės uždėjimas ir nuėmimas

⚠️PERSPĖJIMAS:

- Prieš reguliuodami įrankį arba tikrindami jo veikimą visada patikrinkite, ar valymo įrenginys išjungtas ir atjungtas nuo elektros tinklo, o akumulatoriaus kasetė – išimta.
- **Įdėdami arba išimdami akumulatoriaus kasetę, tvirtai laikykite valymo prietaisą ir akumulatoriaus kasetę.** Jeigu valymo įrenginį ir akumulatoriaus kasetę laikysite netvirtai, jie gali išskysti iš jūsų rankų ir sąlygoti valymo prietaiso bei akumulatoriaus kasėtės gedimą ir vartotojo sužalojimą.
- **Užspausdami arba atidarydami akumulatoriaus dangtį, būkite atsargūs, kad neprišpaustumėte pirštų.** Kitaip galite susižeisti.

- **Pav.3:** 1. Užfiksuoti 2. Akumulatoriaus dangtelis Norėdami įdėti akumulatoriaus kasetę, pirmiausia atlaisvinkite fiksatyrių ir atidarykite akumulatoriaus dangtį. Tada įdėkite akumulatoriaus kasetę.
- **Pav.4:** 1. Akumulatoriaus kasetė

Sulygiuokite ant akumulatoriaus kasėtės esantį liežuvėlį su korpuso grioveliu ir įstumkite kasetę. Stumkite iki galo, kol spragtelėdama užsikisuos. Tada užfiksuokite dangtį.

Jei norite išimti akumulatoriaus kasetę, ištraukite ją iš įrankio, stumdami mygtuką, esantį kasėtės priekyje.

PASTABA:

- Atjunkite valymo įrenginio kištuką nuo ilginimo laido, kai valymo įrenginį naudojate su akumuliatoriumi.

⚠ PERSPĖJIMAS:

- Visada iki galo įkiškite akumuliatoriaus kasetę. Priešingu atveju ji gali atsitiktinai iškristi iš įrankio, sužeisti jus arba aplinkinius.
- Nekiškite akumuliatoriaus kasetės jėga. Jeigu kasetė sunkiai lenda, ji kišama netinkamai.

PASTABA:

- Valymo įrenginys neveikia tik su viena akumuliatoriaus kasete.


Įrankio / akumuliatoriaus apsaugos sistema

Įrankyje įrengta įrankio / akumuliatoriaus apsaugos sistema. Ši sistema automatiškai atjungia variklio maitinimą, kad įrankis ir akumuliatorius ilgiau tarnautų. Įrankis automatiškai išsijungs darbo metu esant vienai iš toliau nurodytų įrankio arba akumuliatoriaus darbo sąlygų. Esant tam tikroms sąlygoms užsidega indikatoriai.

Apsauga nuo perkrovos

Jeigu įrankis bus perkrautas, jis automatiškai išsijungs. Tokiu atveju atleiskite įrankio gaiduką ir nutraukite darbą, dėl kurio kilo įrankio perkrova. Po to vėl įjunkite įrankį.

Įrankio apsauga nuo perkaitimo

<input type="checkbox"/> : „ON“ (lįjungta)	<input type="checkbox"/> : Źybčioja
	

Įrankiu perkaitus, jis automatiškai išsijungia ir maždaug 60 sekundžių Źybčioja akumuliatoriaus indikatorius. Tokiu atveju palaukite, kol įrankis atvės, paskui vėl įjunkite įrankį.

Apsauga nuo visiško išsikrovimo

Źenkliai sumažėjus akumuliatoriaus galiai, įrankis automatiškai išsijungia. Jeigu gaminy s neveikia net ir spaudžiant jungiklius, išimkite akumuliatorių iš įrankio ir įkraukite jį.





Likusios akumuliatorių galios indikatorius

► **Pav.5:** 1. Tikrinimo mygtukas „CHECK“

► **Pav.6**

Paspauskite tikrinimo mygtuką, kad akumuliatorių indikatoriai parodytų likusias akumuliatorių galios vertes. Akumuliatorių indikatoriai parodo atitinkamo akumuliatoriaus galiją.

Likusios akumuliatorių galios indikatorius

















Akumuliatoriaus indikatorius būsena <input type="checkbox"/> : „ON“ (lįjungta) <input type="checkbox"/> : „OFF“ (išlįjungta) <input type="checkbox"/> : Źybčioja	Likusi akumuliatoriaus galia
	50 % - 100 %
	20 % - 50 %
	0 % - 20 %
	Maitinimo elemento įkrovimas

Likusios akumuliatoriaus galios rodymas

Tik akumuliatoriaus kasetėms su indikatoriumi

► **Pav.7:** 1. Indikatorijų lemputės 2. Tikrinimo mygtukas

Paspauskite akumuliatoriaus kasetės tikrinimo mygtuką, kad būtų rodoma likusi akumuliatoriaus energija. Maždaug trims sekundėms užsidegs indikatorijų lemputės.

Indikatorijų lemputės			Likusi galia
 Šviečia	 Nešviečia	 Blyksi	
			75 - 100 %
			50 - 75 %
			25 - 50 %
			0 - 25 %
			Įkraukite akumuliatorių.
			Galimai įvyko akumuliatoriaus veikimo triktis.
			

PASTABA: Rodmuo gali šiek tiek skirtis nuo faktinės energijos lygio – tai priklauso nuo naudojimo sąlygų ir aplinkos temperatūros.

Jungiklio veikimas



► **Pav.8:** 1. Parengties jungiklis 2. Maitinimo mygtukas 3. Siurbimo galios reguliavimo rankenėlė

Norėdami įjungti valymo įrenginį:

- Pasukite parengties jungiklį į „I“ pusę. Valymo įrenginys pradės veikti parengties režimu.

2. Paspauskite įjungimo mygtuką. Norėdami, kad valymo įrenginys vėl veiktų parengties režimu, dar kartą paspauskite įjungimo mygtuką. Norėdami valymo įrenginį išjungti, pasukite parengties jungiklį į „O“ pusę.

Siurbimo galią galima reguliuoti, atsižvelgiant į atliekamą darbą.

Siurbimo galią galima padidinti, sukant siurbimo galios reguliavimo rankenėlę nuo simbolio  link simbolio .

PASTABA:

- Norėdami valymo įrenginį išjungti, pasukite parengties jungiklį į „O“ pusę. Veikdamas parengties režimu, valymo įrenginys naudoja energiją.

Automatinis siurbimo sustabdymas šlapiojo valymo metu (modeliui su medžiaginiu filtru)

PSPĖJIMAS:

- **Nenaudokite ilgai, kai veikia plūdė.** Ilgai naudojant valymo įrenginį, kai veikia jo plūdė, valymo įrenginys gali perkaisti ir deformuotis.
- **Nesiurbkite putų arba muiluoto skysčio.** Susiurbus putas arba muiluotą skystį, putos gali išsiveržti pro oro išleidimo angą nespėjus suveikti plūdei. Toliau naudojant įrenginį tokiomis sąlygomis, gali kilti elektros smūgis ir valymo įrenginį gali sugesti.

Automatinio siurbimo sustabdymo funkcija veikia tik naudojant plūdę ir plūdės apkabą.

Valymo įrenginyje yra plūdinis mechanizmas, kuris neleidžia vandeniui patekti į variklį, kai įsiurbiamas tam tikras didesnis vandens kiekis.

Kai bakelis yra pilnas ir valymo įrenginys daugiau vandens nesiurbia, išjunkite valymo įrenginį ir išpilkite vandenį iš bakelio.

Ratuko fiksavimas arba atlaisvinimas

- **Pav.9:** 1. Liejamoji mašina 2. Fiksavimo svirtis 3. ATLAISVINIMO padėties 4. Fiksavimo padėtis

Norėdami užfiksuoti ratuką stabdikliu, nuleiskite stabdiklio svirtelę ir ratukas daugiau nebesisuks. Norėdami atlaisvinti ratuką iš fiksavimo padėties, pakelkite stabdiklio svirtelę. Ratukų fiksavimo galimybė paranki pastatant valymo įrenginį saugojimui, pertraukiant atliekamą darbą ir sustabdant valymo įrenginį, kad jis nejudėtų. Stabdiklis valdomas pakeliant arba nuleidžiant jo svirtelę rankomis.

PASTABA:

- Stumdami valymo įrenginį, įsitikinkite, ar ratukai yra neužfiksuoti. Stumiant valymo įrenginį, kai jo ratukai yra užfiksuoti, ratukai gali būti sugadinti.

Rankena prietaisui nešti

- **Pav.10**

Nešdami valymo įrenginį, jį neškite, laikydami už rankenos, esančios ant galvutės. Nenaudojamą rankeną galima nulenkti galvutėje.

DALIŲ APRAŠYMAS

Modelis DVC860L

(Modelis su medžiaginiu filtru (sausajam ir šlapiajam valymui))

- **Pav.11:** 1. Bakelio dangtis 2. Plūdė 3. Plūdės apkaba 4. Medžiaginis filtras 5. Bakelis

Modelis DVC861L

(Modelis su filtru su milteliais (sausajam valymui))

- **Pav.12:** 1. Bakelio dangtis 2. Filtras su milteliais (HEPA) 3. Slopintuvas 4. Priešfiltris 5. Bakelis

SURINKIMAS

PERSPĖJIMAS:

- Prieš atlikdami bet kokius šio valymo įrenginio techninės priežiūros ar remonto darbus, visada patikrinkite, ar valymo įrenginys išjungtas ir atjungtas nuo elektros tinklo, o akumulatoriaus kasetė – išimta.
- Montuodami arba atlikdami techninę priežiūrą, visada dėvėkite apsauginę kaukę.

Filtro su milteliais (HEPA) ir priešfiltrio (sausoms dulkėms) įtaisymas

Papildomas priedas medžiaginio filtro modeliams

PERSPĖJIMAS:

- Niekada nesiurbkite vandens ar kitų skysčių bei drėgnų dulkių, jeigu naudojate filtrą su milteliais. Siurbiant tokias medžiagas, filtras su milteliais gali suplyšti.

- **Pav.13:** 1. Bakelio dangtis 2. Filtras su milteliais (HEPA) 3. Slopintuvas 4. Priešfiltris 5. Bakelis 6. Tvirtinimo padėties žymė

- **Pav.14:** 1. Plūdė 2. Plūdės apkaba

Norėdami naudoti filtrą su milteliais, išsukite varžtus ir nuimkite plūdės apkabą bei išimkite plūdę.

Dėkite priešfiltrį į bakelį.

Tuomet ant filtro su milteliais sumontuokite slopintuvą ir įdėkite jį į priešfiltrį.

Montuojant filtrą su milteliais ir priešfiltrį, ant jų esančios montavimo padėties žymės turi būti sulgyjuotos su žyme, esančia bakelio viršuje.

Galiausiai uždenkite bakelio dangtį ir užfiksuokite jį.

PASTABA:

- Prieš naudodami filtrą su milteliais, įsitikinkite, kad priešfiltris ir slopintuvas visuomet būtų naudojami kartu. Draudžiama montuoti vien filtrą su milteliais.

Vandens filtro (pasirenkamo priedo) montavimas (modeliui su medžiaginiu filtru)

⚠ PERSPĖJIMAS:

- Niekada nesiurbkite vandens arba šlapių nešvarumų, nesumontavę plūdės ir medžiaginiu filtru arba vandens filtro.
- Norėdami siurbti šlapius nešvarumus, įsitikinkite, ar valymo įrenginyje yra sumontuotos plūdės apkaba ir plūdė.
- Įrengdami vandens filtrą ant bakelio, tvirtai uždėkite jį ant bakelio angos taip, kad vandens filtro kablys tvirtai užsifikuotų ant bakelio angos, o tarp vandens filtro iri bakelio neliktų tarpo.

PASTABA:

- Pakartotinai siurbiant didelį kiekį vandens, rekomenduojama naudoti vandens filtrą. Antraip, jeigu naudosite medžiaginį filtrą, gali sumažėti siurbimo galia.

► **Pav.15:** 1. Vandens filtras 2. Bakelis 3. Tvirtinimo padėties žymė

Norint siurbti tik vandenį arba šlapius nešvarumus, labiau tinka vandens filtras, o ne medžiaginis filtras. Montuodami vandens filtrą, sulygiuokite jo montavimo padėties žymą su žyma, esančia ant bakelio.

Popierinio maišelio (pasirenkamo priedo) įdėjimas

⚠ ĮSPĖJIMAS:

- Jeigu naudojate popierinį maišelį, kartu naudokite ir įrankyje sumontuotus medžiaginį filtrą bei priešfiltrą. Jeigu kartu nenaudosite medžiaginiu filtro / priešfiltru, kils neįprastas triukšmas, įrenginys pradės kaisti ir kils gaisras.

⚠ PERSPĖJIMAS:

(Modeliui su medžiaginiu filtru)

- Niekada nesiurbkite vandens ar kitų skysčių bei drėgnų dulkių, jeigu naudojate popierinį maišelį. Siurbiant tokias medžiagas, popierinis maišelis gali suplyšti.
- Prieš naudodami popierinį maišelį, įsitikinkite, kad filtras su milteliais (pasirenkamas priedas), slopintuvais (pasirenkamas priedas) ir priešfiltris visuomet būtų naudojami kartu.

(Modeliui su filtru su milteliais)

- Prieš naudodami popierinį maišelį, įsitikinkite, kad filtras su milteliais, slopintuvais ir priešfiltris visuomet būtų naudojami kartu.

1. Nuimkite guminį laikiklį.

► **Pav.16:** 1. Guminis laikiklis

2. Išskleiskite popierinį maišelį.
3. Sulygininkite popierinio maišelio angą su valymo įrenginio dulkių siurbimo anga.
4. Įkiškite popierinio maišelio kartoninę dalį į laikiklį taip, kad ji būtų įtaisyta gale, už stabdiklio iškyšos.

► **Pav.17:** 1. Popierinis maišelis 2. Laikiklis

Polietileninio maišelio įdėjimas

Valymo įrenginį galima naudoti ir be polietileninio maišelio. Visgi naudojant polietileninį maišelį, lengviau ištuštinti bakelį nesusitepant rankų.

► **Pav.18:** 1. Laikiklio plokštė 2. Polietileninis maišelis

Išskleiskite polietileninį maišelį bakelyje. Įtaisykite jį tarp laikiklio plokštės ir bakelio ir patraukite jį žarnos įleidimo angos link.

Ištieskite maišelį bakelio viduje taip, kad priešfiltru kraštas galėtų jį pasiekti ir tvirtai laikyti.

PASTABA:

- Galima naudoti parduotuvėje įsigyjamą polietileninį maišelį. Rekomenduojama naudoti 0,04 mm arba storesnį maišelį.
- Pripildžius per daug dulkių, maišelis lengvai plyšta, todėl maišelį pripildykite tik iki pusės.

Polietileninio maišelio ištuštinimas

⚠ ĮSPĖJIMAS:

- Prieš ištuštinami polietileninį maišelį, visada patikrinkite, ar valymo įrenginys išjungtas. Nesilaikant šių nurodymų, kyla pavojus gauti elektros smūgį ir sunkiai susižeisti.

⚠ PERSPĖJIMAS:

- Saugokite plūdės apkabą ir bakelį nuo stiprių smūgių. Smarkiai sutrenkus, šios detalės gali deformuotis ir sutrūkti.
- Ištuštinkite bakelį bent kartą per dieną, nors tai priklauso nuo siurbiamų dulkių kiekio bakelyje. Kitaip siurbimo galia sumažės ir suges variklis.
- Tuštinami bakelį, neimkite už kablo. Laikant už kablo, jis gali nutrūkti.

Atkabinkite ir pakelkite bakelio dangtį.

► **Pav.19**

Nukratykite dulkes nuo medžiaginiu filtro / filtro su milteliais, tada išimkite iš bakelio polietileninį maišelį.

PASTABA:

- Ištuštinami polietileninį maišelį, atsargiai išimkite jį iš bakelio taip, kad polietileninis maišelis neužstrigtų už bakelio viduje esančios iškyšos ir nesuplyštų.
- Ištuštininkite polietileninį maišelį, kol jis dar nėra pilnas. Jeigu dulkių bakelyje bus per daug, polietileninis maišelis gali suplyšti.

Įrankių dėžės uždėjimas

► **Pav.20**

1. Atlaisvinkite akumuliatoriaus dangčio fiksatorių ir atidarykite akumuliatoriaus dangtį.
2. Įtaisykite įrankių dėžės strypus į korpuso griovelius.
3. Uždarykite akumuliatoriaus dangtį ir užspauskite fiksatorių.

► **Pav.21**

Įrankių dėžėje patogų laikyti akumuliatorius, ilginimo kabelį, žarną arba siurbimo antgalius.

Žarnos prijungimas

▲ PERSPĖJIMAS:

- Niekada nesulenkite arba nesuspauskite žarnos. Niekada netraukite valymo įrenginio už žarnos. Stumiant, spaudžiant ir traukiant žarną, ji gali pratrūkti arba deformuotis.
- Siurbdami dideles atliekas, pavyzdžiui, nuobliuotas drožles, betono dulkes arba kitas panašias nemažas šiukšles, naudokite 38 mm vidinio skersmens žarną (papildomą priedą). Naudojant 28 mm vidinio skersmens žarną (pasirenkamą priedą), ji gali užsikimšti ir sutrūkti.

► Pav.22

Užmaukite žarną ant bakelio montavimo angos ir sukite ją pagal laikrodžio rodyklę tol, kol ji bus užfiksuota.

TECHINĖ PRIEŽIŪRA

▲ PERSPĖJIMAS:

- Visuomet įsitikinkite, ar įrankis yra išjungtas ir atjungtas nuo elektros tinklo, o akumuliatoriaus kasetė yra išimta, prieš atlikdami tikrinimo ir techninės priežiūros darbus.

Maitinimo laido saugojimas

► Pav.23

Maitinimo kabelį galite užvynioti ant įrankių dėžės.

Priedų saugojimas

► Pav.24

► Pav.25

Trumpam išjungus naudojamą valymo įrenginį, žarnos galima dėti į žarnų laikiklį.

► Pav.26

Žarną galima užvynioti ant įrankio, sujungiant jos galus.

Valymas

▲ PERSPĖJIMAS:

- Niekada nenaudokite gazolino, benzino, tirpiklio, spirito arba panašių medžiagų. Gali atsirasti išblukimų, deformacijų arba įtrūkimų.

Medžiaginio filtro valymas

Taikoma tik medžiaginio filtro modeliams

► Pav.27

Užsikimšus medžiaginiajam filteriui, pablogėja siurbimo galia.

Retkarčiais išvalykite medžiaginį filtrą.

Norėdami pašalinti ant medžiaginio filtro prilipusias dulkes arba daleles, kelis kartus greitai pakratykite rėmo apačią.

Filtro su milteliais (HEPA) ir priešfiltrio valymas

Taikoma tik filtro su milteliais modeliams

Užsikimšus filteriui su milteliais, priešfiltrui arba slopintuvui, sumažėja siurbimo galia.

Reguliariai valykite filterus ir slopintuvus.

Norėdami pašalinti ant filtrų prilipusias dulkes arba daleles, kelis kartus greitai pakratykite rėmo apačią.

► Pav.28

Retkarčiais išplaukite filtrą su milteliais vandenyje, išskalaukite ir, prieš naudodami, visiškai išdžiovinkite pavėsyje. Niekada neplaukite filtrų indaplovėje.

PASTABA:

- Netrinkite ir negrandykite filtro su milteliais, priešfiltrio arba slopintuvo kietais daiktais, pavyzdžiui, šepetėmis ar mentelėmis.
- Laikui bėgant filtrai susidėvi. Rekomenduojama turėti naujų atsarginių filtrų jiems pakeisti.

Kad gaminys būtų SAUGUS ir PATIKIMAS, jį taisyti, apžiūrėti ar vykdyti bet kokią kitą priežiūrą ar derinimą turi įgaliojasis kompanijos „Makita“ techninės priežiūros centras; reikia naudoti tik kompanijos „Makita“ pagamintą atsarginę dalis.

PASIRENKAMI PRIEDAI

▲ PERSPĖJIMAS:

- Su šiaime vadove aprašytu įrenginiu „Makita“ rekomenduojama naudoti tik nurodytus priedus ir papildomus įtaisus. Jeigu bus naudojami kito-kie priedai ar papildomi įtaisai, gali būti sužaloti žmonės. Priedus arba papildomus įtaisus naudokite tik pagal paskirtį.

Jeigu norite daugiau sužinoti apie tuos priedus, kreipkitės į artimiausią „Makita“ techninės priežiūros centrą.

- Originalus „Makita“ akumuliatorius ir kroviklis
- Žarna
- Priekiniai antgaliai (22, 24, 38)
- Tiesus vamzdis
- Kampinis antgalis
- Apvalus šepetėlis
- Filtras su milteliais, HEPA (sausoms dulkėms)
- Slopintuvus
- Priešfiltris
- Antgalių komplektas
- Lenktas vamzdis
- Polietilėninis maišelis
- Vandens filtras (galima naudoti modeliui su medžiaginiu filteriu)
- Popierinis paketas
- Laikiklio komplektas

PASTABA:

- Kai kurie sąraše esantys priedai gali būti pateikti įrankio pakuotėje kaip standartiniai priedai. Jie įvairiose šalyse gali skirtis.

HOIATUS

Seda seadet võivad kasutada 8-aastased ja vanemad lapsed ning füüsiliste, sensorsete või vaimsete puuetega või puudulike kogemuste ja teadmistega isikud, juhul kui nad töötavad järelevalve all või kui neid on õpetatud seadet ohutult kasutama ja nad mõistavad seadme kasutamiseiga kaasnevaid ohtusid. Lapsed ei tohi seadmega mängida. Lapsed ei tohi seadet puhastada ega hooldada ilma järelevalveta.

TEHNILISED ANDMED

Mudel		DVC860L	DVC861L
Standardfiltri tüüp		Riided filter (kuiva ja märja tolmu jaoks)	Peentolmufilter (kuiva tolmu jaoks)
Mahukulu (õhk)	Alalisvooluga režiim (BL1830-ga, ø38 mm x 2,5 m voolikuga)	2,1 m ³ /min	
	Vahelduvvooluga režiim (ø38 mm x 2,5 m voolikuga)	3,6 m ³ /min	
Vaakum	Alalisvooluga režiim (BL1830-ga, ø38 mm x 2,5 m voolikuga)	90 hPa	
	Vahelduvvooluga režiim (ø38 mm x 2,5 m voolikuga)	240 hPa	
Taastatav mahutavus	Tolm	8 l	
	Vesi	6 l	-
Mõõtmed (P x L x K)		366 mm x 334 mm x 368 mm	
Nimipinge (töötamine akudega)		Alalisvool 36 V	
Standardsed akukassetid		BL1815N, BL1820, BL1820B, BL1830, BL1830B, BL1840, BL1840B, BL1850, BL1850B, BL1860B	
Netokaal (BL1815N-ga / BL1820-ga)		8,6 kg	9,3 kg
Netokaal (BL1830-ga / BL1840-ga / BL1850-ga)		9,2 kg	9,9 kg
Kaitseklass		□/II	

- Meie jätkuva teadus- ja arendustegevuse programmi tõttu võidakse siin antud tehnilisi andmeid muuta ilma ette teatamata.
- Tehnilised andmed võivad olla riigiti erinevad.
- Kaal koos aku korpusega vastavalt EPTA-protseduurile 01/2003
- Märja tolmu puhul on nõutavad ujuk ja veefilter või riided filter.

Sümbolid

Järgnevalt kirjeldatakse seadmetel kasutatavaid tingimärke. Veenduge, et olete nende tähendusest aru saanud enne seadme kasutamist.



Lugege kasutusjuhendit.



Olge äärmiselt ettevaatlik ja tähelepanelik.



Hoiatus! Tolmuimeja võib sisaldada ohtlikku tolmu.



Ärge kunagi seiske tolmuimeja peal.



Tolmuklass L (kerge). Tolmuimejad on võimelised üles korjama L-klassi tolmu. Järgige tolmu, töötervishoidu ja tööohutust käsitlevaid riiklikke eeskirju.



Üksnes ELI liikmesriikidele
Ärge käidelda kasutuskoõlbmatuks muutunud elektriseadmeid ega akusid koos olmejäätmetega!
Vastavalt Euroopa Parlamendi ja Nõukogu direktiividele elektri- ja elektroonikaseadmete jäätmete kohta ning patareide ja akude ning patarei- ja akujäätmete kohta ning nende nõuete kohaldamisele liikmesriikides tuleb kasutuskõlbmatuks muutunud elektriseadmed ja akud koguda eraldi ja keskkonnasäästlikult korduskasutada või ringlusse võtta.

Ettenähtud kasutamine

Seade on ette nähtud nii kuiva kui märja tolmu kogumiseks. Seade sobib teenuste pakkumiseks, nt hotellides, koolides, haiglates, tehastes, kauplustes, kontorites ja rendipindadel.

Toiteallikas

Seadet võib ühendada ainult andmesildil näidatud pingele vastava pingega toiteallikaga ning seda saab kasutada ainult ühefaasilisel vahelduvvoolutoitel. Seadmel on kahekordne isolatsioon ning seega võib seda kasutada ka ilma maandusjuhtmeta pistikupessa ühendatult.

Müra

Tüüpiline A-korrigeeritud müratase vastavalt EN/IEC60704:

Müraõhutamise (L_{pA}): 75 dB (A)

Määramatus (K): 2,5 dB (A)

Müratase töötamisel võib ületada 80 dB (A).

Kandke kõrvakaitseid

Vibratsioon

Vibratsiooni koguväärtus (kolmeteljeliste vektorite summa) määratud vastavalt IEC 60335-2-69:

Vibratsioonitase (a_{hv}): 2,5 m/s^2 või vähem

Määramatus (K): 1,5 m/s^2

Ainult Euroopa riigid

EÜ vastavusdeklaratsioon

Makita deklareerib, et alljärgnev(ad) masin(ad):

Masina tähistus:

Juhtmega ja juhtmeta tolmuimeja

Mudeli nr/tüüp: DVC860L, DVC861L

Vastavad alljärgnevatele Euroopa Parlamendi ja nõukogu direktiividele:

2006/42/EC

Need on toodetud vastavalt järgmistele standarditele või standardiseeritud dokumentidele:

EN60335

Tehniline fail, mis on kooskõlas direktiiviga 2006/42/EÜ, on saadaval ettevõttes:

Makita, Jan-Baptist Vinkstraat 2, 3070, Belgia

25.9.2014

Yasushi Fukaya
Direktor

Makita, Jan-Baptist Vinkstraat 2, 3070, Belgia

JUHTMEGA JA JUHTMETA TOLMUIMEJA OHUTUSNÕUDED

⚠️ HOIATUS! ÄÄRMISELT OLULINE ON ENNE KASUTAMIST lugeda tähelepanelikult läbi kõik ohutus-hoiatused ja juhised. Hoiatuste ja juhiste eiramine võib põhjustada elektrilööki, tulekahju ja/või raskeid kehavigastusi.

1. Tagage, et kõik tolmuimejaga töötavad isikud saaksid enne seadme kasutamist piisava väljaõppe.
2. Kui eraldub vahu/vedelikku, siis lülitage seade viivitamatult välja.
3. Puhastage regulaarselt veetaseme reguleerimisseadet ja kontrollige, kas sellele ei esine kahjustumise märke.
4. Ärge kasutage tolmuimejat ilma filtrita. Vahetage kahjustunud filter kohe välja.
5. PIKENDUSJUHTME KASUTAMINE. Kui toiteallikas jääb tolmuimejast kaugele, siis kasutage pikendusjuhet, kuid püüdke valida selline pikendusjuhe, mis on piisavalt paks, kuid pole liiga pikk, sest vastasel juhul võib tolmuimeja jõudlus väheneda. Väljas töötamisel kasutage spetsiaalselt selleks otstarbeks ettenähtud pikendusjuhet.
6. VOOLUPINGE HOIATUS: Enne tolmuimeja ühendamist toiteallikaga (pistikupesa, väljundpessa jms) veenduge, et toitepinge on sama, nagu tolmuimeja andmeplaadil on näidatud. Toiteallikas, mille voolupinge on tolmuimeja jaoks ettenähtud voolupingest suurem, võib põhjustada seadme kasutajale TÕSISE KEHAVIGASTUSE ja kahjustada tolmuimejat. Kahtluse korral ÄRGE ÜHENDAGE TOLMUIMEJAT TOITEALLIKAGA. Andmeplaadil näidatud nimivoolupingest madalama voolupingega toiteallika kasutamine võib kahjustada mootorit.
7. VÄLTIGE ETTEKAVATSEMATUT KÄIVITAMIST. Enne pistiku ühendamist pistikupesasse veenduge, et tolmuimeja lüliti on asendis VÄLJAS.
8. Ärge püüdke tolmuimejaga üles korjata tuleohtlike materjale, pürotehnilisi aineid, süüdatud sigarette, kuuma tuhka, kuumi metallilaaste, teravaid esemeid (nt žiletiterad, nõelad, klaasikillud jms).
9. ÄRGE KASUTAGE TOLMUIMEJAT BENSIINI, GAASI, VÄRVI VÕI TEISTE PLAHVATUSOHTLIKE AINETE LÄHEDUSES. Lüliti keeramisel SISSE või VÄLJA tekivad sädemed. Ka mootori kommutaator eraldab töötamise ajal sädemeid. Selle tagajärjel võib tekkida ohtlik plahvatus.
10. Ärge kunagi imege tolmuimejasse mürgiseid, kantserogeenide, süttivaid ega muid tervisele ohtlike aineid (nt arseen, baarium, berüllium, plii, pestitsiidid jms).
11. Ärge õues kunagi kasutage tolmuimejat vihmaga.
12. Ärge kasutage soojusallikate (ahjud jms) läheduses.
13. KAITSKE ELEKTRILÖÖGI EEST. Hoiduge kokkupuutest maandatud esemetega. Näiteks torud, radiaatorid, pliidid, külmutuskapid.
14. Ärge tõkestage jahutusavasid. Jahutusavade kaudu toimub mootori jahutamine. Jälgige hoolikalt, et avad ei oleks tõkestatud, sest vastasel juhul võib mootor ventilatsiooni puudumise tõttu läbi põleda.
15. Säilitage kogu aeg kindel toetuspind ja tasakaal.

16. ÄRGE KAHJUSTAGE TOITEJUHE. Ärge kandke tolmuimejat juhtmest hoides ega tömmake juhete järsult pistikust lahti ühendamiseks. Hoidke juhete kuumuse, õli ja teravate servade eest. Kontrollige regulaarselt tolmuimeja toitejuhtmeid ning laske kahjustatud juhtmed parandada volitatud teeninduskeskuses. Kontrollige regulaarselt kasutatavaid pikendusjuhtmeid ja vahetage kahjustatud pikendusjuhtmed uute vastu välja.
17. Ärge painutage voolikut kokku ega sikutage seda. Ärge astuge voolikule.
18. Seisake tolmuimeja kohe, kui märkate seadme jõudluse vähenemist või muud ebatavalist seadme töös.
19. ÜHENDAGE TOLMUIMEJA VOOLUALLIKAST LAHTI. Tolmuimeja tuleb vooluallikast lahti ühendada, kui seda ei kasutata ning enne hooldamist ja tarvikute vahetamist.
20. Puhastage ja hooldage tolmuimejat kohe pärast igat kasutuskorda, et seade oleks alati laitmatu töökorras.
21. HOOLITSEGE OMA TOLMUIMEJA EEST. Hoidke tolmuimejat puhtana, et tagada parem ja ohutu töötamine. Järgige tarvikute vahetamise juhiseid. Hoidke käepidemed kuivad ja puhtad. Need ei tohi olla õlised ega määrdesed.
22. KONTROLLIGE KAHJUSTUNUD KOMPONENTE. Enne tolmuimeja edasist kasutamist tuleb hoolikalt kontrollida kahjustatud kaitset või muud seadme osa, et teha kindlaks, kas see töötab edaspidi nõuetekohaselt ja täidab oma otstarvet. Kontrollige liikuvate osade tsentreeringut, liikuvate osade kokkujooksu, purunenud osi, osade paigaldust ja muid tingimusi, mis võivad mõjutada tolmuimeja funktsioneerimist. Kahjustatud kaitse või seadme muu osa tuleb nõuetekohaselt parandada või vahetada välja volitatud teeninduskeskuses, kui kasutusjuhendis ei ole soovitatud teisiti. Laske defekttsed lülitid vahetada välja volitatud teeninduskeskuses. Ärge kasutage tolmuimejat, kui selle lüliti ei lülita seadet sisse ega välja.
23. VARUOSAD. Kasutage osade väljavahetamiseks ainult identseid varuosi.
24. TOLMUIMEJA HOIUSTAMINE. Kui tolmuimejat ei kasutata, tuleb seda hoiustada sisetingimustes.
25. Märkfiltrid ja vedelikumahuti siseosa tuleb enne hoiustamist ära kuivatada.
26. Käsitsege oma tolmuimejat hoolikalt. Jõuline käsitsemine võib põhjustada isegi kõige tugevama konstruktsiooniga tolmuimeja purunemise.
27. Ärge üritage puhastada tolmuimeja sisemust ega pealispinda benssiini, lahusti või keemiliste puhastusvahenditega. See võib põhjustada pragude tekkimist ning värvuse luitumist.
28. Ärge kasutage tolmuimejat kinnises ruumis, kus võib esineda õlipõhisest värvist, värvivedeldest, benssiinist, teatud koitõrjevahenditest jms ainetest tingitud tule- või plahvatusohtlike või mürgiseid aursid, ega piirkondades, kus on kergesti süttivat tolmu.
29. Ärge jätke tolmuimeja toitejuhet põrandale lebama, kui olete seadmega töötamise lõpetanud. Toitejuhe võib muutuda ohtlikuks, põhjustades komistamist või tolmuimeja kahjustust.
30. Ärge kasutage tolmuimejat ega ühtki teist seadet, kui olete ravimite või alkoholi mõju all.
31. Järgige ohutuse põhinõuet ja kasutage küljekaitsega kaitseprille.
32. Tolmuste tööttingimuste korral kandke tolmumaski.
33. Seade ei ole ette nähtud kasutamiseks füüsiliste, sensoorsete või vaimsete puuetega isikutele, k.a. lapsed, ega isikutele, kellel puuduvad kogemused ja teadmised seadme ohutuks kasutamiseks.
34. Lapsi tuleb jälgida tagamaks, et nad ei mängiks tolmuimejaga.
35. Ärge kunagi käsitsege toitejuhet ega tolmuimejat märgade kätega.
36. Treppide puhastamisel olge äärmiselt ettevaatlik.
37. Ärge kasutage tolmuimejat toolina ega tööpinna. Masin võib ümber kukkuda ning tekitada kehavigastusi.

Akuga tööriista kasutamine ja hooldus

1. Kasutage laadimiseks ainult tootja poolt ettenähtud laadijat. Laadija, mis sobib ühte tüüpi akukassetiga, võib tekitada tulekahjuohtu, kui seda kasutada koos mõnda teist tüüpi akukassetiga.
2. Kasutage elektriseadmeid üksnes spetsiaalselt neile toodetud akukassetidega. Mis tahes muude akukassetide kasutamine võib tekitada kehavigastuse- või tulekahjuohtu.
3. Kui akukasseti ei kasutata, ärge hoidke seda koos muude metallsemetega, nagu kirjaklambrid, mündid, võtmed, naelad, kruvid jm väikesed metallsemed, mis võivad tekitada ühenduse klemmide vahel. Akuklemmide lühistamine võib põhjustada põletusi.
4. Väärkasutamise tagajärjel võib akust välja valguda vedelikku – ärge seda puudutage. Kui olete selle vedelikuga siiski kogemata kokku puutunud, uhtuge antud kohta veega. Kui vedelik on sattunud silma, minge arsti juurde. Akust väljalagnud vedelik võib põhjustada ärritust ja põletusi.

HOIDKE ALLES EDASPIDISEKS KASUTAMISEKS

▲HOIATUS: ÄRGE laske mugavusel või toote kasutamisharjumustel (mis on saadud korduva kasutuse jooksul) asendada vankumatut toote ohutuseeskirjade järgimist. VALE KASUTUS või käesoleva kasutusjuhendi ohutusnõuete eiramine võib põhjustada tõsiseid vigastusi.

TÄHTSAD OHUTUSLASED JUHISED

AKUKASSETI KOHTA

1. Enne akukasseti kasutamist lugege (1) akulaadijal, (2) akul ja (3) seadmel olevad kõik juhised ja hoiatused läbi.
2. Ärge akukasseti lahti monteeringe.

3. Kui tööaeg järjest lüheneb, siis lõpetage kasutamise koheselt. Edasise kasutamise tulemusks võib olla ülekuumenemisoht, võimalikud põletused või isegi plahvatus.
4. Kui elektrolüüti satub silma, siis loputage silma puhta veega ja pöörduge koheselt arsti poole. Selline õnnetus võib põhjustada pimedaksjäämist.
5. Äрге tekitage akukassetis lühist:
 - (1) Äрге puutuge klemme elektrijuhtidega.
 - (2) Äрге hoidke akukasseti tööriistakastis koos metallesemetega, nagu naelad, mündid jne.
 - (3) Äрге tehke akukasseti märjaks ega jätke seda vihma kätte.

Aku lühis võib põhjustada tugevat elektrivoolu, ülekuumenemist, põletusi ning ka seadet tõsiselt kahjustada.

6. Äрге hoidke tööriista ja akukasseti kohtades, kus temperatuur võib tõusta üle 50° C.
7. Äрге põletage akukasseti isegi siis, kui see on saanud tõsiselt vigastada või on täiesti kulu- nud. Akukassetit võib tules plahvatada.
8. Olge ettevaatlik ning ärge laske akul maha kukkuda või lööge seda.
9. Äрге kasutage kahjustatud akut.
10. Seadmes sisalduvatele liitiumioonakudele kehtivad ohtlike kaupade käitlemist reguleerivate õigusaktide nõuded.
Kaubavedude puhul, nt kolmandate isikute ja veofirmade poolt, tuleb järgida pakendamise ja märgistamise erinõudeid.
Toote ettevalmistamisel lähetamiseks on nõutav konsulteerimine ohtlike materjalide eksperdigaga. Palun järgige ka riiklike õigusakte, mis võivad sisaldada täpsemaid nõudeid.
Teipige lahtised kontaktid või katke need kinni ja pakkige aku selliselt, et see ei saa pakendis liikuda.
11. Järgige kasutuskõlbatuks muutunud aku käitlemisel kohalikke eeskirju.

HOIDKE JUHEND ALLES.

⚠ETTEVAATUST: Kasutage ainult Makita originaal- lakusid.

Selliste akude kasutamine, mis ei ole Makita originaal- akud või mida on muudetud, võib põhjustada aku lõhke- mise, mille tagajärjeks võib olla tulekahju, kehavigastus ja muu kahjustus. Samuti tühistab see Makita tööriista ja laadija kohta kehtiva Makita garantii.

Vihjeid aku maksimaalse kasutusaja tagamise kohta

1. Laadige akukasseti enne kui see täiesti tüh- jaks saab.
Alati, kui märkate, et tööriist töötab väiksema võimsusega, peatage töö ja laadige akut.
2. Äрге kunagi laadige täislaetud akukasseti. Liigne laadimine lühendab aku kasutusiga.
3. Laadige akukasseti toatemperatuuril 10° C - 40° C. Laske kuuma akukassetil enne laadi- mist maha jahtuda.
4. Laadige akukasseti, kui te ei kasuta seda pikema aja jooksul (rohkem kui kuus kuud).

FUNKTSIONAALNE KIRJELDUS

Kasutamine vahelduvvoolutoitega:

⚠HOIATUS:

- Enne tolmuimeja ühendamist toiteallikaga kontrollige alati, et tolmuimeja oleks välja lülitatud. Sisselülitatud seadme ühendamine toiteallikaga võib põhjustada ootamatut käi- vitumist, mille tagajärjeks võivad olla tõsised kehavigastused.

- **Joon.1:** 1. Pistik (kuju ja juhtme pikkus võivad riikide lõikes erineda)

Ühendage pistik vooluallikaga.

- **Joon.2:** 1. Vahelduvvoolutoite indikaator

Vahelduvvoolutoite indikaator hakkab põlema, kui seate reservtoitelüüti „I“ poolele.

MÄRKUS:

- Isegi töötamisel alalisvoolutoitega režiimis lüli- tub seade pistikusse ühendamisel automaatselt vahelduvvoolutoitega režiimi.
- Kui paigaldatud akudega seadme pistik ühen- datakse töötamise ajal vooluallikast lahti, lülitub tolmuimeja ootelolekusse.

Kasutamine akuga:

Akukasseti paigaldamine või eemaldamine

⚠ETTEVAATUST:

- Kandke alati hoolt selle eest, et tolmuimeja oleks enne reguleerimist ja kontrollimist välja lülitatud, pistik vooluallikast lahti ühendatud, ja akukasset eemaldatud.
- Hoidke tolmuimejat ja akukasseti kindlalt käes, kui paigaldate või eemaldate akukas- setti. Kui eirata nõuet tolmuimeja ja akukasseti hoidmise kohta, võivad need käest libiseda ja maha kukkudes puruneda ning põhjustada kehavigastusi.
- Olge aku katte avamisel ja sulgemisel ette- vaatlik, et te sõrmi katte ja korpuse vahele ei jätaks. Selle nõude eiramine võib põhjustada kehavigastuse.

- **Joon.3:** 1. Lukustus 2. Akukate

Akukasseti paigaldamiseks vabastage kõigepealt lukk ja avage aku kate. Seejärel paigaldage akukassetit.

- **Joon.4:** 1. Akukasset

Joondage akukassetil olev keel korpuses paikneva soonega ja libistage akukasset oma kohale. Lükake akukasseti nii kaugele, et see lukustuks klõpsatusega oma kohale. Seejärel lukustage aku kate. Akukasseti eemaldamiseks libistage see tööriista kül- jest lahti, vajutades kasseti esiküljel paiknevat nuppu alla.

NBI:

- Kui kasutate tolmuimejat akudega, eemaldage tolmuimeja pistik pikendusjuhtmest.

⚠ETTEVAATUST:

- Paigaldage akukassett alati korralikult oma kohale. Vastasel korral võib akukassett seadmest välja kukkuda ning vigastada teid või läheduses viibivaid isikuid.
- Ärge rakendage jõudu akukasseti paigaldamisel. Kui kassett ei lähe kergesti sisse, pole see õigesti paigaldatud.

MÄRKUS:

- Tolmuimeja ei tööta ainult ühe akukassetiga.

Tööriista/aku kaitsesüsteem

Tööriist on varustatud tööriista/aku kaitsesüsteemiga. Süsteem lülitab mootori automaatselt välja, et pikendada tööriista ja aku eluiga.

Tööriist seiskub töötamise ajal automaatselt, kui tööriist või aku jäetakse olukorda, mida mõjutab mõni järgmistest tingimustest. Mõnel juhul hakkavad indikaatorid põlema.

Ülekoormuskaitse

Kui seade on üle koormatud, seiskub see automaatselt. Sellisel juhul lülitage seade välja ning lõpetage seadme ülekoormust põhjustanud tegevus. Seejärel lülitage seade sisse, et see taaskäivitada.

Tööriista ülekuumenemiskaitse

<input type="checkbox"/> : Sisse lülitatud	<input type="checkbox"/> : Vilgub

Kui seade on üle kuumenenud, seiskub see automaatselt ja aku indikaator vilgub umbes 60 sekundit. Sellises olukorras laske seadmel enne selle uuesti sisse lülitamist maha jahtuda.

Ülelaadimiskaitse

Kui aku laetuse tase muutub madalaks, siis seiskub tööriist automaatselt. Kui seade ei hakka tööle ka lülitiite kasutamisel, eemaldage tööriistast akud ja laadige neid.

Allesjäänud akulaengu näit

► **Joon.5:** 1. KONTROLLIMISE nupp

► **Joon.6**

Kui vajutate kontrollinuppu, näitavad akuindikaatorid allesjäänud akulaengut. Kummalgi akul on oma akuindikaator.

Allesjäänud akulaengu näit

Aku indikaatori olek	Aku jääkmahtuvus
<input checked="" type="checkbox"/> : Sisse lülitatud <input type="checkbox"/> : Väija lülitatud <input type="checkbox"/> : Vilgub	
	50 % - 100 %
	20 % - 50 %
	0 % - 20 %
	Laadige akud

Aku jääkmahutavuse näit**Ärniult näidikuga akukassettidele**

► **Joon.7:** 1. Märgulambid 2. Kontrollimise nupp

Akukasseti järelejäänud mahutavuse kontrollimiseks vajutage kontrollimise nuppu. Märgulambid süttivad mõneks sekundiks.

Märgulambid			Jääkmahutavus
<input checked="" type="checkbox"/> Põleb	<input type="checkbox"/> Ei põle	<input type="checkbox"/> Vilgub	
<input checked="" type="checkbox"/>	<input checked="" type="checkbox"/>	<input checked="" type="checkbox"/>	75 - 100%
<input checked="" type="checkbox"/>	<input checked="" type="checkbox"/>	<input type="checkbox"/>	50 - 75%
<input checked="" type="checkbox"/>	<input type="checkbox"/>	<input type="checkbox"/>	25 - 50%
<input type="checkbox"/>	<input type="checkbox"/>	<input type="checkbox"/>	0 - 25%
<input type="checkbox"/>	<input type="checkbox"/>	<input type="checkbox"/>	Laadige akud.
<input checked="" type="checkbox"/>	<input type="checkbox"/>	<input type="checkbox"/>	Akul võib olla tõrge.
<input type="checkbox"/>	<input type="checkbox"/>	<input checked="" type="checkbox"/>	

MÄRKUS: Näidatud mahutavus võib veidi erineda tegelikust mahutavusest olenevalt kasutustingimustest ja ümbritseva keskkonna temperatuurist.

Lüliti funktsioneerimine



► **Joon.8:** 1. Reservitoitelüliti 2. Toitenupp
3. Imemisjõu reguleerimisnupp

Tolmuimeja käivitamiseks:

- Seadke reservitoitelüliti „I“ poolele. Tolmuimeja lülitub ootoleokusse.
- Vajutage toitenuppu.

Tolmuimeja lülitamiseks reservitoite režiimi vajutage toitenuppu uuesti.

Tolmuimeja väljalülitamiseks seadke reservitoitelüliti „O“ poolele.

Imemisjõudu saab reguleerida vastavalt tehtavale tööle. Imemisjõu suurendamiseks keerake imemisjõu reguleerimisnupp  sümboliit  sümbolile.

NB!:

- Seadke reservtoitelüliti alati „O” poolele, kui te tolmuimejat pikema aja jooksul ei kasuta. Tolmuimeja tarbib voolu ootelolekus.

Automaatne imemise seiskamine märgimu ajal (riidest filtriga mudeli korral)

⚠ **HOIATUS:**

- **Ärge kasutage tolmuimejat kaua, kui ujuk töötab.** Tolmuimeja kasutamine pikka aega sel ajal, kui ujuk töötab, võib põhjustada ülekuumenemist, mille tagajärjel tolmuimeja võib deformeeruda.
- **Ärge imege tolmuimejasse vahu ega seebist vedelikku.** Vahu või seebise vee imemine võib põhjustada vahu väljaimbumist õhu väljalaskeavast enne, kui ujuk tööle hakkab. Tolmuimeja kasutamise jätkamine sellises olukorras võib põhjustada elektrilööki ja tolmuimeja purunemist.

Automaatne imemise seiskamine toimib ainult kasutamisel ujuki ja ujuki puuriga.

Tolmuimeja on varustatud ujukmehhanismiga, mis takistab vee imbustumist mootoris sellisel juhul, kui tolmuimejasse imetakse teatud kogusest rohkem vett. Kui paak on täis ja tolmuimeja enam vett ei ime, siis lülitage seade välja ja tühendage paak.

Ratta lukustamine ja vabastamine

- **Joon.9:** 1. Rullik 2. Lukustushoob 3. VABA asend 4. Lukustuspositsioon

Ratta lukustamiseks stopperiga vajutage stopperi hoob alla. Seejärel ratas enam ei liigu. Ratta vabastamiseks lukustatud asendist tõstke stopperi hoob üles. Ratta lukustamist on mugav kasutada tolmuimeja hoiustamisel, töö peatamisel ja tolmuimeja paigaldamiseks.

Stopperit tuleb liigutada käega.

MÄRKUS:

- Tolmuimeja liigutamisel kontrollige, et ratas oleks lukustusest vabastatud. Lukustatud asendis rattaga tolmuimeja liigutamine võib rattast kahjustada.

Kandesang

- **Joon.10**

Tolmuimeja kandmisel hoidke kinni tolmuimeja peal paiknevast kandesangast. Kui kandesanga ei kasutata, siis saab selle tolmuimeja pealmise osa sisse vajutada.

OSADE KIRJELDUS

Mudel DVC860L

(Riidest filtriga (kuiva ja märja tolmu jaoks) mudel)

- **Joon.11:** 1. Paagi kate 2. Ujuk 3. Ujuki puur 4. Riidest filter 5. Paak

Mudel DVC861L

(Peentolmufiltriga (kuiva tolmu jaoks) mudel)

- **Joon.12:** 1. Paagi kate 2. Peentolmufilter (HEPA) 3. Summuti 4. Eelfilter 5. Paak

KOKKUPANEK

⚠ **ETTEVAATUST:**

- Kandke alati hoolt selle eest, et tolmuimeja oleks enne igasuguseid hooldustöid välja lülitatud, pistik vooluallikast lahti ühendatud ja aku kassett eemaldatud.
- Kandke monteerimise ja hooldamise ajal alati tolmumaski.

Peentolmu- (HEPA) ja eelfiltri (kuiva tolmu jaoks) paigaldamine

Lisatarvik riidest filtriga mudelile

⚠ **ETTEVAATUST:**

- Ärge kunagi koguge tolmuimejasse vett, mis tahes muid vedelikke ega märga tolmu, kui kasutate seadmes peentolmufiltrit. Sellised ained võivad põhjustada peentolmufiltrit purunemise.

- **Joon.13:** 1. Paagi kate 2. Peentolmufilter (HEPA) 3. Summuti 4. Eelfilter 5. Paak 6. Paigaldusasendi märgistus

- **Joon.14:** 1. Ujuk 2. Ujuki puur

Peentolmufiltrit kasutamiseks võtke ära ujuki puur ja ujuk, eemaldades poldid.

Asetage peentolmufilter paaki.

Seejärel monteeri peentolmufiltrit peale summuti ja siis asetage need eelfiltrisse.

Peentolmufiltrit ja eelfiltri paigaldamisel seadke nendel olevad paigaldusasendi märgid kohakuti paagi pealmisel osal olevate paigaldusasendi märkidega.

Lõpuks paigaldage paagi kate ja lukustage see.

MÄRKUS:

- Peentolmufiltrit tuleb alati kasutada koos eelfiltri ja summutiga. Peentolmufiltrit paigaldamine ilma nimetatud komponentideta on keelatud.

Veefiltri (riidest filtriga mudeli puhul) (lisatarvik) paigaldamine

⚠ETTEVAATUST:

- Ärge kunagi koguge tolmuimejasse vett ega märga tolmu, kui ujuk ja riidest filter või veefilter on paigaldamata.
- Märja tolmu kogumisel veenduge, et ujuki puur ja ujuk on tolmuimejasse paigaldatud.
- Veefiltri paigaldamisel seadke see paagi avasse tihedalt niimoodi, et veefiltri konks haakuks kindlalt paagi avaga ning et veefiltri ja paagi vahele ei jääks ruumi.

NB!:

- Suures koguses vee kogumisel korduvalt on soovitatav kasutada veefiltrit. Vastasel juhul võib imemisvõimsus riidest filtri puhul väheneda.
- **Joon.15:** 1. Veefilter 2. Paak 3. Paigaldusasendi märgistus

Ainult vee või märga tolmu kogumiseks on veefilter sobivam kui riidest filter.

Veefiltri paigaldamisel joondage selle paigaldusasendi märk paagil paikneva märgiga.

Paberkoti (lisatarvik) paigaldamine

⚠HOIATUS:

- Paberkoti kasutamisel tuleb sellega koos kasutada seadmele eelnevalt paigaldatud riidest filtrit või eelfiltrit. Riidest filtri / eelfiltri kasutamata jätmine võib põhjustada ebataolist müra ja kuumenemist, mille tagajärjel võib tekkida tulekahju.

⚠ETTEVAATUST:

(Riidest filtriga mudeli puhul)

- Ärge kunagi koguge tolmuimejasse vett, mis tahes muid vedelikke ega märga tolmu, kui kasutate seadmes paberkotti. Sellised ained võivad põhjustada paberkoti purunemise.
- Enne paberkoti kasutamist kontrollige, et ka peentolmufilter (lisatarvik), summuti (lisatarvik) ja eelfilter oleksid alati paigaldatud.

(Peentolmufiltriga mudeli puhul)

- Enne paberkoti kasutamist kontrollige, et ka peentolmufilter, summuti ja eelfilter oleksid paigaldatud.

1. Eemaldage kummist hoidik.

► **Joon.16:** 1. Kummist hoidik

2. Avardage paberkotti.

3. Seadke paberkoti ava kohakuti tolmuimeja tolmuimemisavaga.

4. Seadke paberkoti papp hoidikule niimoodi, et see asetuks üle fiksaatori väljaulatava otsa.

► **Joon.17:** 1. Paberkott 2. Hoidik

Polüetüleenkoti paigaldamine

Tolmuimejat saab kasutada ka ilma polüetüleenkotita. Kuid polüetüleenkoti kasutamisel saate paagi hõlpsasti tühjendada käsi määrimata.

► **Joon.18:** 1. Hoidiku plaat 2. Polüetüleenkott

Asetage polüetüleenkott paagis laiali. Paigutage kott hoidiku plaadi ja paagi vahele ning tõmmake seda vooliku sisselaskeava poole.

Laotage polüetüleenkott ümber paagi ülaosa selliselt, et eelfiltri serv saab kotti haarata ja seda kindlalt kinni hoida.

MÄRKUS:

- Kasutada võib kaubanduses saadavalolevaid polüetüleenkotte. Soovitatav on 0,04 mm või paksem polüetüleenkott.
- Liiga suur tolmu kogus võib kotti hõlpsasti rebestada ning seetõttu ärge koguge kotti tolmu rohkem kui ainult pool selle mahutavusest.

Polüetüleenkoti tühjendamine

⚠HOIATUS:

- Enne polüetüleenkoti tühjendamist kontrollige alati, et tolmuimeja oleks välja lülitatud ja toiteallikast lahti ühendatud. Selle nõude eiramine võib põhjustada elektrilööki ja raskeid kehavigastusi.

⚠ETTEVAATUST:

- Vältige tugevat lööki ujuki puuri ja paagi pihta. Tugev löök võib põhjustada osade deformeermist ning muid kahjustusi.
- Tühjendage paaki vähemalt üks kord päeva olenevalt paaki kogutud tolmu kogusest. Vastasel juhul imemisjõud nõrgeneb ja mootor võib puruneda.
- Ärge haarake konksust, kui paaki tühjendate. Konks võib puruneda.

Haakige paagi kate lahti ja tõstke see üles.

► **Joon.19**

Raputage tolm välja riidest filtrist / peentolmufiltrist ja seejärel võtke polüetüleenkott paagist välja.

MÄRKUS:

- Võtke polüetüleenkott paagist ettevaatlikult välja, jälgides, et see ei takerduks paagi sisselaskes olevate väljaulatavate osade külge, mis võivad põhjustada kotti rebenemise.
- Tühjendage polüetüleenkotti enne selle täitumist. Liiga suur tolmu kogus paagis võib põhjustada polüetüleenkoti rebenemise.

Tööriistakasti paigaldamine

► **Joon.20**

1. Vabastage aku kate lukk ja avage aku kate.
2. Seadke tööriistakasti paiknevad juhikud korpusel olevatesse soontesse.
3. Sulgege aku kate ja lukustage.

► **Joon.21**

Tööriistakast sobib akude, pikendusjuhtme, toru või mansettide mugavaks hoiustamiseks.

Vooliku ühendamine

⚠ ETTEVAATUST:

- Ärge kunagi painutage voolikut jõuga ning ärge astuge voolikule. Ärge kunagi liigutage tolmuimejat voolikust tõmmates. Jõuga surumine, voolikule astumine ja selle tõmbamine võivad põhjustada vooliku purunemise või deformeerumise.
- Suurte jäätmete (nt hõõvliiaastud, betoonipuru jms) koristamisel kasutage 38 mm sisediameetriga voolikut (lisatarvik). 28 mm sisediameetriga vooliku (lisatarvik) kasutamisel võib voolik ummistuda ja kahjustuda.

► Joon.22

Paigaldage voolik paagil oleva kinnitusava külge ja keerake seda päripäeva suunas kuni lukustumiseni.

HOOLDUS

⚠ ETTEVAATUST:

- Kandke alati enne kontrolli- või hooldustoimingute teostamist hoolt selle eest, et seade oleks välja lülitatud, pistik vooluallikast lahti ühendatud ja akukassett korpuse küljest eemaldatud.

Toitejuhtme hoidmine

► Joon.23

Toitejuhtme saate kerida ümber tööriistakasti.

Tarvikute hoidmine

► Joon.24

► Joon.25

Torud saate panna toruhoidikusse, kui te tolmuimejat lühiajaliselt ei kasuta.

► Joon.26

Vooliku võib hoiustamiseks ümber seadme panna, ühendades otsad.

Puhastamine

⚠ ETTEVAATUST:

- Ärge kunagi kasutage bensiini, vedeldit, alkoholi ega midagi muud sarnast. Selle tulemuseks võib olla luitumine, deformatsioon või pragunemine.

Riidest filtri puhastamine

Ainult riidest filtriga mudeli korral

► Joon.27

Ummistunud riidest filter vähendab imemisvõimsust. Puhastage riidest filtrit aeg-ajalt. Tolmu või riidest filtri külge kleepunud osakeste eemaldamiseks tuleb raami põhja kiiresti mõned korrad raputada.

Peentolmu- (HEPA) ja eelfiltri puhastamine

Ainult peentolmufiltriga mudeli korral

Ummistunud peentolmufilter, eelfilter ja summuti vähendavad imemisvõimsust.

Puhastage aeg-ajalt filtreid ja summuteid.

Tolmu või filtri külge kleepunud osakeste eemaldamiseks tuleb raami põhja kiiresti mõned korrad raputada.

► Joon.28

Peske peentolmufiltrit aeg-ajalt veega, loputage korralikult ja laske filtril enne kasutamist varjulises kohas korralikult ära kuivada. Filtreid ei tohi pesta pesumasinas.

MÄRKUS:

- Peentolmufiltrit, eelfiltrit ja summutit ei tohi hõõruda ega kraapida teravate esemetega, näiteks harja ja kaabitsaga.
- Filtrid kuluvad aja jooksul. Soovitatav on mõned varuks hoida.

Toote OHUTUSE ja TÕÕKINDLUSE tagamiseks tuleb vajalikud remonttööd, muud hooldus- ja reguleerimistööd lasta teha Makita volitatud teeninduskeskustes. Alati tuleb kasutada Makita varuosi.

VALIKULISED TARVIKUD

⚠ ETTEVAATUST:

- Neid tarvikuid ja lisaseadiseid on soovitatav kasutada koos Makita tööriistaga, mille kasutamist selles kasutusjuhendis kirjeldatakse. Muude tarvikute ja lisaseadiste kasutamisega kaasneb vigastada saamise oht. Kasutage tarvikuid ja lisaseadiseid ainult otstarvetel, milleks need on ette nähtud.

Saate vajadusel kohalikust Makita teeninduskeskusest lisateavet nende tarvikute kohta.

- Makita algupärane aku ja laadija
- Voolik
- Esimansetid (22, 24, 38)
- Sirge toru
- Nurgaotsak
- Ümmargune hari
- Peentolmufilter, HEPA (kuiva tolmu jaoks)
- Summuti
- Eelfilter
- Otsakumoodul
- Painutatud toru
- Polüetüleenkott
- Veefilter (riidest filtriga mudeli lisatarvik)
- Pabertolmukott
- Hoidikukomplekt

MÄRKUS:

- Mõned nimekirjas loetletud tarvikud võivad kuuluda standardvarustusse ning need on lisatud tööriista pakendisse. Need võivad riikide lõikes erineda.

ОСТОРОЖНО

Данный инструмент могут использовать дети с 8 лет и лица с ограниченными физическими, сенсорными или умственными способностями, а также не имеющие надлежащего опыта и знаний, только в случаях, когда они действуют под руководством или после надлежащего инструктажа по безопасному использованию инструмента и осознают возможные опасности. Не разрешайте детям играть с инструментом. Детям запрещается проводить чистку и обслуживание без контроля со стороны взрослых.

ТЕХНИЧЕСКИЕ ХАРАКТЕРИСТИКИ

Модель		DVC860L	DVC861L
Стандартный фильтр		Тканевый фильтр (для сухой и влажной пыли)	Пылевой фильтр (для сухой пыли)
Объемный расход (воздух)	Работа от источника постоянного тока (с шлангом BL1830 ø38 мм x 2,5 м)	2,1 м ³ /мин	
	Работа от сети переменного тока (с шлангом ø38 мм x 2,5 м)	3,6 м ³ /мин	
Разрежение	Работа от источника постоянного тока (с шлангом BL1830 ø38 мм x 2,5 м)	90 гПа	
	Работа от сети переменного тока (с шлангом ø38 мм x 2,5 м)	240 гПа	
Восстанавливаемая емкость	Пыль	8 л	
	Вода	6 л	-
Размеры (Д x Ш x В)		366 мм x 334 мм x 368 мм	
Номинальное напряжение (работа от аккумуляторов)		36 В пост. Тока	
Картриджи для стандартных аккумуляторных батарей		BL1815N, BL1820, BL1820B, BL1830, BL1830B, BL1840, BL1840B, BL1850, BL1850B, BL1860B	
Вес нетто (с BL1815N / BL1820)		8,6 кг	9,3 кг
Вес нетто (с BL1830 / BL1840 / BL1850)		9,2 кг	9,9 кг
Класс безопасности		II	

- Благодаря нашей постоянно действующей программе исследований и разработок, указанные здесь технические характеристики могут быть изменены без предварительного уведомления.
- Технические характеристики могут различаться в зависимости от страны.
- Масса (с аккумуляторным блоком) в соответствии с процедурой EPTA 01.2003
- Если пыль влажная, необходимы поплавки и водяной или тканевый фильтр.

Символы

Ниже приведены символы, используемые для электроинструмента. Перед использованием убедитесь, что вы понимаете их значение.



Прочтите руководство пользователя.



Обратите особое внимание.



Внимание! Пылесос может содержать опасную пыль.



Запрещается становиться на пылесос.



Пыль класса L (мелкая). Пылесосы предназначены для сбора пыли класса L. Соблюдайте требования местного законодательства в отношении запыленности, охраны труда и техники безопасности на рабочем месте.



ДВОЙНАЯ ИЗОЛЯЦИЯ



Только для стран ЕС
Не выбрасывайте электрооборудование или аккумуляторы вместе с бытовым мусором!
В соответствии с европейскими директивами об утилизации электрического и электронного оборудования, о батареях и аккумуляторах, а также использованных батареях и аккумуляторах и их применении в соответствии с местными законами электрооборудование, батареи и аккумуляторы, срок эксплуатации которых истек, должны утилизироваться отдельно и передаваться для утилизации на предприятие, соответствующее применяемым правилам охраны окружающей среды.

Назначение

Данный инструмент предназначен для влажной и сухой уборки. Инструмент подходит для коммерческого использования (например, в гостиницах, школах, больницах, заводах, магазинах, офисах и арендных помещениях).

Питание

Подключайте данный инструмент только к тому источнику питания, напряжению которого соответствует напряжению, указанному на паспортной табличке. Инструмент предназначен для работы от источника однофазного переменного тока. Он имеет двойную изоляцию и поэтому может подключаться к розеткам без заземления.

Шум

Типичный уровень взвешенного звукового давления (A), измеренный в соответствии с EN/IEC60704:
Уровень звукового давления (L_{pA}): 75 дБ (A)
Погрешность (K): 2,5 дБ (A)
Уровень шума при выполнении работ может превышать 80 дБ (A).

Используйте средства защиты слуха

Вибрация

Суммарное значение вибрации (сумма векторов по трем осям) определяется по следующим параметрам IEC 60335-2-69:

Распространение вибрации (a_h): 2,5 м/с² или менее

Погрешность (K): 1,5 м/с²

Только для европейских стран

Декларация о соответствии ЕС

Makita заявляет, что следующее устройство (устройства):

Обозначение устройства:

Аккумуляторный / Сетевой Пылесос

Модель / тип: DVC860L, DVC861L

Соответствует (-ют) следующим директивам ЕС:
2006/42/ЕС

Изготовлены в соответствии со следующим стандартом или нормативными документами:

EN60335

Технический файл в соответствии с документом 2006/42/ЕС доступен по адресу:

Makita, Jan-Baptist Vinkstraat 2, 3070, Belgium

25.9.2014

Ясуси Фукая (Yasushi Fukaya)

Директор

Makita, Jan-Baptist Vinkstraat 2, 3070, Belgium

ПРАВИЛА ТЕХНИКИ БЕЗОПАСНОСТИ ПРИ ЭКСПЛУАТАЦИИ ПЫЛЕСОСА С ПИТАНИЕМ ОТ СЕТИ И АККУМУЛЯТОРНОГО

ВНИМАНИЕ! ВАЖНО! ВНИМАТЕЛЬНО ОЗНАКОМЬТЕСЬ со всеми инструкциями и рекомендациями по технике безопасности **ДО НАЧАЛА РАБОТЫ**. Невыполнение инструкций и рекомендаций может привести к поражению электротоком, пожару и/или тяжелым травмам.

- Перед началом эксплуатации убедитесь, что пользователь должным образом проинструктирован по работе с данным пылесосом.**
- В случае вытекания пены/жидкости немедленно выключите инструмент.**
- Регулярно очищайте ограничитель уровня воды и осматривайте его на предмет повреждений.**
- Не используйте пылесос без фильтра. Немедленно замените поврежденный фильтр.**
- ПРИМЕНЕНИЕ УДЛИНИТЕЛЬНОГО ШНУРА.** Если расстояние до источника электропитания слишком велико и приходится использовать удлинительный шнур, старайтесь применять шнур достаточно большого сечения, но не слишком длинный, в противном случае эффективность работы пылесоса понизится. При эксплуатации вне помещения используйте удлинительный шнур, предназначенный для наружных работ.

6. **ПРЕДУПРЕЖДЕНИЕ ПО НАПРЯЖЕНИЮ ПИТАНИЯ:** Перед подключением пылесоса к источнику питания (штепсельная розетка, отвод и пр.) убедитесь, что напряжение питания соответствует указанному на паспортной табличке на пылесосе. Если напряжение в источнике питания выше указанного на пылесосе, это может привести к **ТЯЖЕЛОЙ ТРАВМЕ** оператора и повреждению пылесоса. В случае сомнений **НЕ ПОДКЛЮЧАЙТЕ ПЫЛЕСОС**. Использование источника питания с напряжением меньше указанного на паспортной табличке может привести к повреждению электродвигателя.
7. **НЕ ДОПУСКАЙТЕ САМОПРОИЗВОЛЬНОГО ПУСКА.** При подсоединении к электросети выключатель должен быть в положении OFF (Выкл.).
8. Не всасывайте горючие материалы, петарды, зажженные сигареты, угли, горячую металлическую стружку, острые предметы, такие как бритвы, иголки, битое стекло и т.п.
9. **ЗАПРЕЩАЕТСЯ ЭКСПЛУАТИРОВАТЬ ПЫЛЕСОС ВБЛИЗИ БЕНЗИНА, ГАЗА, КРАСКИ, КЛЕЕВ И ДРУГИХ ВЗРЫВООПАСНЫХ МАТЕРИАЛОВ.** При установке переключателя в положение ON (Вкл.) и OFF (Выкл.) возможно возникновение искр. Искры могут также возникать во время работы коллектора электромотора. Результатом может стать сильный взрыв.
10. Не всасывайте токсичные, канцерогенные, легковоспламеняющиеся и другие опасные материалы, такие как асбест, мышьяк, барий, бериллий, свинец, пестициды и другие опасные для здоровья материалы.
11. Запрещается использовать пылесос вне помещения во время дождя.
12. Не используйте пылесос вблизи источников тепла (печи и пр.).
13. **МЕРЫ БЕЗОПАСНОСТИ ПО ПРЕДОТВРАЩЕНИЮ ПОРАЖЕНИЯ ЭЛЕКТРИЧЕСКИМ ТОКОМ.** Не допускайте контакта открытых участков тела с заземленными поверхностями. Например, с трубами, радиаторами, кухонными плитами, холодильниками.
14. Не закрывайте вентиляционные отверстия. Они служат для охлаждения электромотора. Следите, чтобы вентиляционные отверстия всегда оставались свободными, в противном случае электромотор сгорит из-за недостаточного охлаждения.
15. Всегда сохраняйте устойчивое положение и равновесие.
16. **БЕРЕГИТЕ ОТ ПОВРЕЖДЕНИЙ ЭЛЕКТРИЧЕСКИЙ ШНУР.** Никогда не переносите пылесос за шнур питания и не тяните за него, чтобы отключить устройство от розетки. Располагайте шнур на расстоянии от источников тепла, масла и острых краев. Периодически осматривайте шнур питания пылесоса и в случае повреждения отремонтируйте его в авторизованном сервисном центре. Периодически осматривайте удлинитель и, в случае его повреждения, замените.
17. Не сгибайте, не тяните и не наступайте на шланг.
18. Немедленно выключите пылесос, если заметите во время его работы падение мощности или что-либо необычное.
19. **ОТСОЕДИНИТЕ ПЫЛЕСОС ОТ СЕТИ.** Если пылесос не используется, перед обслуживанием и при смене насадок.
20. Очищайте и обслуживайте пылесос сразу по окончании работы, чтобы поддерживать его в оптимальном техническом состоянии.
21. **СОБЛЮДАЙТЕ ОСТОРОЖНОСТЬ ПРИ ПРОВЕДЕНИИ ТЕХНИЧЕСКОГО ОБСЛУЖИВАНИЯ ПЫЛЕСОСА.** Содержите пылесос в чистоте, чтобы обеспечить максимальную эффективность и безопасность эксплуатации. Следуйте инструкциям по смене насадок. Ручки всегда должны быть сухими и чистыми, особенно от масла и смазки.
22. **ПРОВЕРЯЙТЕ КОМПОНЕНТЫ НА ПРЕДМЕТ ПОВРЕЖДЕНИЙ.** Перед последующим использованием пылесоса ограждение или другая поврежденная деталь должны быть тщательно осмотрены, чтобы убедиться, что пылесос будет работать нормально и выполнять функции, для которых он предназначен. Убедитесь в соосности движущихся узлов, свободном ходе движущихся деталей, отсутствии поломок деталей, надежности крепления и отсутствии других дефектов, которые могут повлиять на работу. Поврежденное ограждение, или какая-либо другая деталь должны быть соответствующим образом отремонтированы или заменены авторизованным сервисным центром, если в руководстве по эксплуатации не указано других действий. Неисправные выключатели должны заменяться только в авторизованном сервисном центре. Не используйте пылесос, если выключатель не включает или не выключает его.
23. **ЗАПАСНЫЕ ЧАСТИ.** При техническом обслуживании используйте для замены только аналогичные детали.
24. **ХРАНЕНИЕ ПЫЛЕСОСА.** Если пылесос не используется, храните его в помещении.
25. Перед помещением на хранение влажные фильтры и внутреннюю часть контейнера с жидкостью необходимо высушить.
26. Берегите пылесос. Небрежная эксплуатация может привести к поломке даже самого прочного пылесоса.
27. Запрещается использовать для очистки внутренних и внешних поверхностей бензин, растворитель или чистящие химикаты. Это может вызвать появление трещин и обесцвечивание корпуса.
28. Не используйте пылесос в замкнутом пространстве при наличии огнеопасных, взрывоопасных или токсичных паров от масляных красок, растворителей, бензина, некоторых средств защиты от моли и т.п., либо при наличии горючей пыли.

29. Не оставляйте электрический шнур пылесоса на полу по окончании работы. Это может создать опасность падения или повреждения пылесоса.
30. Не используйте это или другие устройства в состоянии алкогольного или наркотического опьянения.
31. Одним из основных правил техники безопасности является использование защитных очков с боковыми щитками.
32. Работая в запыленной зоне, используйте респиратор.
33. Это устройство не предназначено для использования лицами (включая детей) с ограниченными физическими, сенсорными или умственными способностями, а также не имеющими надлежащего опыта и знаний.
34. Следует следить за маленькими детьми, чтобы они не использовали пылесос в качестве игрушки.
35. Запрещается братья за электрический шнур или пылесос мокрыми руками.
36. Проявляйте особую осторожность при чистке на лестницах.
37. Запрещается использовать пылесос в качестве табурета или верстака. Устройство может упасть и причинить травму.

Использование электроинструмента, работающего на аккумуляторах, и уход за ним

1. Заряжайте аккумулятор только зарядным устройством, указанным изготовителем. Зарядное устройство, подходящее для одного типа аккумуляторов, может привести к пожару при его использовании с другим аккумуляторным блоком.
2. Используйте электроинструмент только с указанными аккумуляторными блоками. Использование других аккумуляторных блоков может привести к травме или пожару.
3. Когда аккумуляторный блок не используется, храните его отдельно от металлических предметов, таких как скрепки, монеты, ключи, гвозди, шурупы или другие небольшие металлические предметы, которые могут привести к закорачиванию контактов аккумуляторного блока между собой. Замыкание клемм аккумулятора между собой может привести к ожогам.
4. При неправильном обращении из аккумуляторного блока может потечь жидкость. Избегайте контакта с ней. В случае контакта с кожей промойте место контакта обильным количеством воды. В случае попадания в глаза, обратитесь к врачу. Жидкость из аккумуляторного блока может вызвать раздражение или ожоги.

СОХРАНИТЕ ДЛЯ ИСПОЛЬЗОВАНИЯ В ДАЛЬНЕЙШЕМ

▲ОСТОРОЖНО: НЕ ДОПУСКАЙТЕ, чтобы удобство или опыт эксплуатации данного устройства (полученный от многократного использования) доминировали над строгим соблюдением правил техники безопасности при обращении с этим устройством. **НЕПРАВИЛЬНОЕ ИСПОЛЬЗОВАНИЕ** инструмента или несоблюдение правил техники безопасности, указанных в данном руководстве, может привести к тяжелой травме.

ВАЖНЫЕ ИНСТРУКЦИИ ПО ТЕХНИКЕ БЕЗОПАСНОСТИ

ДЛЯ АККУМУЛЯТОРНОГО БЛОКА

1. Перед использованием аккумуляторного блока прочитайте все инструкции и предупреждающие надписи на (1) зарядном устройстве, (2) аккумуляторном блоке и (3) инструменте, работающем от аккумуляторного блока.
2. Не разбирайте аккумуляторный блок.
3. Если время работы аккумуляторного блока значительно сократилось, немедленно прекратите работу. В противном случае, может возникнуть перегрев блока, что приведет к ожогам и даже к взрыву.
4. В случае попадания электролита в глаза, промойте их обильным количеством чистой воды и немедленно обратитесь к врачу. Это может привести к потере зрения.
5. Не замыкайте контакты аккумуляторного блока между собой:
 - (1) Не прикасайтесь к контактам какими-либо токопроводящими предметами.
 - (2) Не храните аккумуляторный блок в контейнере вместе с другими металлическими предметами, такими как гвозди, монеты и т. п.
 - (3) Не допускайте попадания на аккумуляторный блок воды или дождя.
 Замыкание контактов аккумуляторного блока между собой может привести к возникновению большого тока, перегреву, возможным ожогам и даже разрыву блока.
6. Не храните инструмент и аккумуляторный блок в местах, где температура может достигать или превышать 50°C (122°F).
7. Не бросайте аккумуляторный блок в огонь, даже если он сильно поврежден или полностью вышел из строя. Аккумуляторный блок может взорваться под действием огня.
8. Не роняйте и не ударяйте аккумуляторный блок.

9. Не используйте поврежденный аккумуляторный блок.
10. На содержащиеся в устройстве литий-ионные аккумуляторы распространяются требования законодательства об опасных грузах.
В случае коммерческих перевозок, например третьими сторонами, транспортно-экспедиционными агентствами, необходимо соблюдать требования к упаковке и маркировке.
При подготовке объекта транспортировки обязательна консультация с экспертом по опасным материалам. Необходимо также соблюдать национальные правила и нормы, которые могут быть более детальными.
Изолируйте или заклеивайте скотчем открытые контакты и упаковывайте аккумулятор так, чтобы он не перемещался внутри упаковки.
11. Выполняйте требования местного законодательства относительно утилизации аккумуляторного блока.

СОХРАНИТЕ ДАННЫЕ ИНСТРУКЦИИ.

⚠ПРЕДУПРЕЖДЕНИЕ: Используйте только оригинальные аккумуляторы Makita.

Использование неоригинальных аккумуляторов Makita либо аккумуляторов, в конструкцию которых были внесены изменения, может привести к взрыву аккумулятора, пожару, травмам и повреждению имущества. Кроме того, это приведет к аннулированию гарантии на инструмент и зарядное устройство Makita.

Советы по обеспечению максимального срока службы аккумуляторного блока

1. Заряжайте аккумуляторный блок до того, как он полностью разрядится.
В случае потери мощности при эксплуатации инструмента, прекратите работу и зарядите аккумуляторный блок.
2. Никогда не заряжайте полностью заряженный аккумуляторный блок.
Перезарядка сокращает срок службы блока.
3. Заряжайте аккумуляторный блок при комнатной температуре в пределах от 10°C до 40°C (от 50°F до 104°F). Перед зарядкой дайте горячему аккумуляторному блоку остыть.
4. Заряжайте аккумуляторный блок, если он не используется в течение длительного времени (более шести месяцев).

ОПИСАНИЕ ФУНКЦИОНИРОВАНИЯ

Использование от сети переменного тока:

⚠ОСТОРОЖНО:

- **Перед подключением пылесоса к электросети убедитесь, что он выключен.**
Подсоединение пылесоса с включенным выключателем может привести к неожиданному запуску и стать причиной тяжелой травмы.

► **Рис.1:** 1. Вилка (форма и длина шнура в разных странах могут отличаться)

Подсоедините вилку к источнику питания.

► **Рис.2:** 1. Индикатор питания переменного тока

При установке переключателя режима готовности в положение "I" загорится индикатор питания переменного тока.

ПРИМЕЧАНИЕ:

- Даже если инструмент использовался в режиме питания постоянного тока, при подключении автоматически переключится в режим переменного тока.
- Если во время работы инструмент с установленным аккумулятором отсоединить от розетки, пылесос перейдет в режим готовности.

Использование от аккумулятора:

Установка или снятие блока аккумуляторов

⚠ВНИМАНИЕ:

- Перед регулировкой или проверкой функций пылесоса обязательно убедитесь, что он выключен, отсоединен от сети и аккумуляторный блок снят с инструмента.
- **При установке или снятии аккумуляторного блока надежно удерживайте пылесос и аккумуляторный блок.** Иначе пылесос или аккумуляторный блок могут выскользнуть из рук, что может привести к травмам или повреждению пылесоса и аккумуляторного блока.
- **Соблюдайте осторожность, чтобы не прищемить пальцы при открытии или закрытии крышки аккумуляторного отсека.** В противном случае можно получить травму.

► **Рис.3:** 1. Блокирование 2. Крышка аккумуляторной батареи

Чтобы установить аккумуляторный блок, сначала откройте фиксатор, затем крышку аккумуляторной. После этого вставьте аккумуляторный блок.

► Рис.4: 1. Блок аккумулятора

Совместите выступ на аккумуляторном блоке с выемкой в корпусе и вставьте его на место. Устанавливайте блок до упора так, чтобы он зафиксировался на месте с небольшим щелчком. Затем зафиксируйте крышку аккумуляторного отсека. Для снятия аккумуляторного блока нажмите кнопку на лицевой стороне и извлеките блок.

УВЕДОМЛЕНИЕ:

- Если пылесос используется с аккумулятором, отсоедините вилку пылесоса от удлинителя.

⚠ ВНИМАНИЕ:

- Обязательно устанавливайте аккумуляторный блок до упора. В противном случае он может выпасть из инструмента и нанести травму вам или другим людям.
- Не прилагайте чрезмерных усилий при установке аккумуляторного блока. Если блок не двигается свободно, значит он вставлен неправильно.

ПРИМЕЧАНИЕ:

- Пылесос не будет работать с одним аккумуляторным блоком.

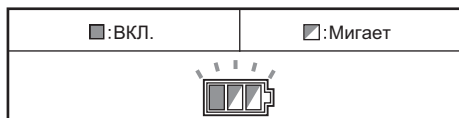
Система защиты инструмента/аккумулятора

На инструменте предусмотрена система защиты инструмента/аккумулятора. Она автоматически отключает питание двигателя для продления срока службы инструмента и аккумулятора. Инструмент автоматически остановится во время работы при возникновении указанных ниже ситуаций. В некоторых ситуациях загораются индикаторы.

Защита от перегрузки

В случае перегрузки инструмент автоматически останавливается. В этом случае выключите инструмент и прекратите использование, повлекшее перегрузку инструмента. Затем включите инструмент для перезапуска.

Защита инструмента от перегрева



В случае перегрева инструмента он автоматически останавливается и начинает мигать индикатор аккумулятора (примерно 60 секунд). В этом случае дайте инструменту остыть перед повторным включением.

Защита от переразрядки

При истощении заряда аккумулятора инструмент автоматически выключается. Если устройство не работает даже после нажатия переключателей, снимите аккумуляторы с инструмента и зарядите их.

Индикация уровня заряда батареи

► Рис.5: 1. Кнопка «CHECK» (Проверка)

► Рис.6

Нажмите кнопку проверки для просмотра на индикаторах аккумулятора оставшегося уровня заряда аккумулятора. Индикаторы соответствуют каждому аккумулятору.

Индикация уровня заряда батареи

Состояние индикатора аккумуляторной батареи	Уровень заряда батареи
■: Вкл. ◻: Выкл. ◻: Мигает	
	50 % - 100 %
	20 % - 50 %
	0 % - 20 %
	Зарядите аккумулятор

Индикация оставшегося заряда аккумулятора

Только для блоков аккумулятора с индикатором

► Рис.7: 1. Индикаторы 2. Кнопка проверки

Нажмите кнопку проверки на аккумуляторном блоке для проверки заряда. Индикаторы загорятся на несколько секунд.

Индикаторы	Уровень заряда	
		Горит
■ ■ ■ ■	от 75 до 100%	
■ ■ ■ ◻	от 50 до 75%	
■ ■ ◻ ◻	от 25 до 50%	
■ ◻ ◻ ◻	от 0 до 25%	
◻ ◻ ◻ ◻	Зарядите аккумуляторную батарею.	
■ ◻ ◻ ◻	Возможно, аккумуляторная батарея неисправна.	
◻ ◻ ◻ ◻		

ПРИМЕЧАНИЕ: В зависимости от условий эксплуатации и температуры окружающего воздуха индикация может незначительно отличаться от фактического значения.

Действие выключателя

- **Рис.8:** 1. Переключатель режима готовности
2. Кнопка питания 3. Регулятор силы всасывания



Для запуска пылесоса:

1. Установите переключатель режима готовности в положение "I". Пылесос перейдет в режим готовности.
2. Нажмите кнопку питания.

Чтобы перевести пылесос в режим готовности, нажмите кнопку питания еще раз.

Чтобы выключить пылесос, установите переключатель режима готовности в положение "O".

Мощность всасывания можно регулировать в зависимости от потребностей.

Для увеличения мощности поверните регулятор из положения  в положение .

УВЕДОМЛЕНИЕ:

- Если пылесос не используется длительное время, обязательно устанавливайте переключатель режима готовности в положение "O". В режиме готовности пылесос потребляет энергию.

Автоматический останов всасывания при влажной уборке (для модели с тканевым фильтром)

⚠ ОСТОРОЖНО:

- **Не используйте в течение длительного времени во время работы поплавка.** Продолжительное использование пылесоса с работающим поплавком может привести к перегреву и деформации пылесоса.
- **Не собирайте пену или мыльную жидкость.** Всасывание пены или мыльной жидкости может привести к выходу пены из воздушного отверстия до срабатывания поплавка. Продолжение эксплуатации в таком состоянии может привести к поражению электрическим током и поломке пылесоса.

Автоматический останов всасывания работает только при использовании поплавка и поплавковой камеры.

Пылесос оснащен поплавковым механизмом, предотвращающим попадание воды в электродвигатель при всасывании слишком большого количества воды. Когда бак заполнен и пылесос больше не всасывает воду, выключите пылесос и опорожните бак.

Включение и выключение стопора колеса

- **Рис.9:** 1. Ролик 2. Рычаг ограничителя
3. Положение FREE (Разблокировано)
4. Положение стопорения

Чтобы зафиксировать колесо с помощью стопора, опустите рычаг стопора, и колесо не сможет вращаться. Чтобы разблокировать колесо, поднимите рычаг стопора.

Блокировка колеса очень удобна при хранении пылесоса, временной приостановке работы и бездвижении пылесоса.

Чтобы использовать стопор, поверните его рукой.

ПРИМЕЧАНИЕ:

- При перемещении пылесоса убедитесь, что колесо разблокировано. Перемещение пылесоса с заблокированным колесом может привести к повреждению колеса.

Ручка для переноски

- **Рис.10**

При переноске пылесоса беритесь за рукоятку в верхней части. Если рукоятка не используется, ее можно сложить в верхнюю часть корпуса пылесоса.

ОПИСАНИЕ ДЕТАЛЕЙ

Модель DVC860L

(Модель с тканевым фильтром (для сухой и влажной пыли))

- **Рис.11:** 1. Крышка бака 2. Поплавок
3. Поплавковая камера
4. Металлическое лезвие 5. Бачок

Модель DVC861L

(Модель с пылевым фильтром (для сухой пыли))

- **Рис.12:** 1. Крышка бака 2. Пылевой фильтр (HEPA) 3. Демпфер 4. Фильтр предварительной очистки 5. Бачок

МОНТАЖ

⚠ ВНИМАНИЕ:

- Перед выполнением каких-либо работ на пылесосе обязательно убедитесь, что он выключен, отсоединен от розетки и с него снят аккумуляторный блок.
- При сборке или обслуживании обязательно надевайте пылезащитную маску.

Установка пылевого фильтра (HEPA) и фильтра предварительной очистки (для сухой пыли)

Дополнительное оборудование для модели с тканевым фильтром

ВНИМАНИЕ:

- Не собирайте воду или другие жидкости, либо влажную пыль при использовании пылевого фильтра. Это может привести к повреждению пылевого фильтра.

► **Рис.13:** 1. Крышка бака 2. Пылевой фильтр (HEPA) 3. Демпфер 4. Фильтр предварительной очистки 5. Бачок 6. Установочные метки

► **Рис.14:** 1. Поплавок 2. Поплавковая камера

Чтобы использовать пылевой фильтр, снимите поплавок и камеру и поплавок. Для этого отверните болты. Поместите фильтр предварительной очистки в бак. Далее установите демпфер на пылевой фильтр и поместите его в фильтр предварительной очистки. При установке пылевого фильтра и фильтра предварительной очистки совместите метки на них с метками в верхней части бака.

Наконец, установите крышку бака и зафиксируйте ее.

ПРИМЕЧАНИЕ:

- Перед использованием пылевого фильтра убедитесь, что установлены фильтр предварительной очистки и демпфер. Запрещается устанавливать только пылевой фильтр.

Установка водяного фильтра (для модели с тканевым фильтром) (поставляется отдельно)

ВНИМАНИЕ:

- Запрещается собирать воду или влажную пыль без поплавка и тканевого фильтра или без водяного фильтра.
- Для сбора влажной пыли необходимо установить в пылесос поплавок и камеру с поплавком.
- При установке водяного фильтра на бак плотно посадите его на отверстие бака, чтобы выступ на водяном фильтре надежно вошел в отверстие бака, и между фильтром и баком не было зазора.

УВЕДОМЛЕНИЕ:

- Если вы часто собираете большое количество воды, рекомендуется использовать водяной фильтр. В противном случае при использовании тканевого фильтра всасывающее усилие может уменьшиться.

► **Рис.15:** 1. Водяной фильтр 2. Бачок 3. Установочные метки

Чтобы собрать только воду или влажную пыль, рекомендуется вместо тканевого фильтра использовать водяной фильтр.

При установке водяного фильтра совместите метку на нем с меткой в баке.

Установка бумажного пакета (поставляется отдельно)

ОСТОРОЖНО:

- При использовании бумажного пакета используйте также тканевый фильтр или фильтр предварительной очистки, установленный в пылесосе. Неиспользование тканевого фильтра / фильтра предварительной очистки может стать причиной сильного шума и нагрева, что приведет к возгоранию.

ВНИМАНИЕ:

(Для модели с тканевым фильтром)

- Не собирайте воду или другие жидкости, либо влажную пыль при использовании бумажного пакета. Это может привести к повреждению бумажного пакета.
- Перед использованием бумажного пакета убедитесь, что установлены пылевой фильтр (поставляется отдельно), демпфер (поставляется отдельно) и фильтр предварительной очистки.

(Для модели с пылевым фильтром)

- Перед использованием бумажного пакета убедитесь, что установлены пылевой фильтр, демпфер и фильтр предварительной очистки.

1. Снимите резиновый держатель.

► **Рис.16:** 1. Резиновый держатель

2. Разверните бумажный пакет.

3. Совместите отверстие бумажного пакета с отверстием всасывания пыли на пылесосе.

4. Установите картонную часть бумажного пакета на держатель таким образом, чтобы она вышла за патрубок.

► **Рис.17:** 1. Бумажный пакет 2. Держатель

Установка полиэтиленового мешка

Пылесос можно использовать без полиэтиленового мешка. Однако применение полиэтиленового мешка облегчает опорожнение бака, при этом вы не испачкаете руки.

► **Рис.18:** 1. Стопорная пластина 2. Полиэтиленовый мешок

Разверните полиэтиленовый мешок в баке. Вставьте его между стопорной пластиной и баком, и натяните на водное отверстие шланга.

Расправьте мешок вокруг верхней части бака так, чтобы край фильтра предварительной очистки надежно зажал и удерживал мешок.

ПРИМЕЧАНИЕ:

- Допускается использование полиэтиленовых пакетов, имеющих в продаже. Рекомендуется применять пакеты из полиэтилена толщиной 0,04 мм или более.
- Большое количество пыли легко порвет мешок, поэтому не заполняйте мешок более чем до половины.

Очистка полиэтиленового мешка

⚠ ОСТОРОЖНО:

- Следите за тем, чтобы перед опорожнением полиэтиленового мешка пылесос был выключен и отсоединен от сети. Несоблюдение этого требования может стать причиной поражения электрическим током и тяжелых травм.

⚠ ВНИМАНИЕ:

- Не стучите сильно по поплавковой камере и баку. Сильный удар может вызвать деформацию и повреждения деталей.
- Опорожняйте бак не реже одного раза в день, хотя это определяется объемом пыли в баке. В противном случае мощность всасывания снизится и электромотор может выйти из строя.
- Опорожняя бак, не беритесь за фиксатор. Фиксатор может отломиться.

Отсоедините и поднимите крышку бака.

► Рис.19

Вытряхните пыль из тканевого фильтра / пылевого фильтра, затем извлеките из бака полиэтиленовый мешок.

ПРИМЕЧАНИЕ:

- Осторожно извлеките полиэтиленовый пакет из бака, чтобы при опорожнении пакет не защемило и не порвало выступом внутри бака.
- Опорожните полиэтиленовый пакет, прежде чем он заполнится полностью. Слишком большое количество пыли в баке может привести к разрыву пакета.

Установка бокса для инструментов

► Рис.20

1. Откройте фиксатор крышки аккумуляторного отсека и откройте его крышку.
2. Установите направляющие на боксе для инструментов в пазы на корпусе.
3. Закройте крышку аккумуляторного отсека и закройте фиксатор.

► Рис.21

В боксе для инструментов удобно размещать аккумуляторы, удлинитель, трубу или патрубки.

Подсоединение шланга

⚠ ВНИМАНИЕ:

- Запрещается сильно сгибать шланг и наступать на него. Запрещается тянуть пылесос за шланг. Чрезмерные усилия, наступание и перемещение пылесоса за шланг могут привести к поломке или деформации шланга.
- При сборе крупного мусора, например, стружки, цементной пыли и т.п. используйте шланг с внутренним диаметром 38 мм (поставляется отдельно). При использовании шланга с внутренним диаметром 28 мм (поставляется отдельно) возможно его засорение и повреждение.

► Рис.22

Наденьте шланг на установочное отверстие бака и поверните по часовой стрелке до фиксации.

ТЕХОБСЛУЖИВАНИЕ

⚠ ВНИМАНИЕ:

- Перед выполнением какого-либо осмотра или обслуживания инструмента убедитесь, что устройство выключено, отсоединено от розетки и его аккумуляторный блок снят.

Хранение шнура питания

► Рис.23

Шнур питания можно намотать на бокс для инструментов.

Хранение дополнительных принадлежностей

► Рис.24

► Рис.25

Если пылесос не используется некоторое время, трубки можно уложить в держатель.

► Рис.26

Шланг можно оборачивать вокруг инструмента, соединяя концы.

Чистка

⚠ ВНИМАНИЕ:

- Запрещается использовать бензин, лигроин, растворитель, спирт и т.п. Это может привести к изменению цвета, деформации и появлению трещин.

Очистка тканевого фильтра

Только для модели с тканевым фильтром

► Рис.27

Засоренный тканевый фильтр снижает эффективность всасывания.

Периодически очищайте тканевый фильтр.

Для удаления пыли и частиц, налипших на тканевый фильтр, несколько раз сильно встряхните дно.

Очистка фильтра предварительной очистки и пылевого фильтра (HEPA)

Только для модели с пылевым фильтром

Засорение пылевого фильтра, фильтра предварительной очистки и демпфера может привести к снижению мощности всасывания.

Периодически очищайте фильтры и демпферы.

Для удаления пыли и частиц, налипших на фильтры, несколько раз сильно встряхните дно.

► Рис.28

Периодически промывайте пылевой фильтр водой, прополаскивая и тщательно просушивая перед использованием. Запрещается мыть фильтры в стиральной машине.

ПРИМЕЧАНИЕ:

- Не трите и не скребите пылевой фильтр, фильтр предварительной очистки или демпфер твердыми предметами, такими как щетка или скребок.
- С течением времени фильтр изнашивается. Рекомендуется иметь запасные фильтры.

Для обеспечения БЕЗОПАСНОСТИ и НАДЕЖНОСТИ оборудования, ремонт, любое другое техобслуживание или регулировку необходимо производить в уполномоченных сервис-центрах Makita, с использованием только сменных частей производства Makita.

ДОПОЛНИТЕЛЬНЫЕ ПРИНАДЛЕЖНОСТИ

▲ВНИМАНИЕ:

- Эти принадлежности или насадки рекомендуются использовать вместе с вашим инструментом Makita, описанным в данном руководстве. Использование каких-либо других принадлежностей или насадок может представлять опасность получения травм. Используйте принадлежность или насадку только по указанному назначению.

Если вам необходимо содействие в получении дополнительной информации по этим принадлежностям, свяжитесь со своим местным сервис-центром Makita.

- Оригинальный аккумулятор и зарядное устройство Makita
- Шланг
- Передние патрубки (22, 24, 38)
- Прямая труба
- Угловой патрубков
- Круглая щетка
- Пылевой фильтр, HEPA (для сухой пыли)
- Демпфер
- Фильтр предварительной очистки
- Блок патрубка
- Изогнутая труба
- Полиэтиленовый мешок
- Водяной фильтр (опция для модели с тканевым фильтром)
- Бумажный пакет
- Комплект держателя

ПРИМЕЧАНИЕ:

- Некоторые элементы списка могут входить в комплект инструмента в качестве стандартных приспособлений. Они могут отличаться в зависимости от страны.

Makita Jan-Baptist Vinkstraat 2, 3070, Belgium

Makita Corporation 3-11-8, Sumiyoshi-cho,
Anjo, Aichi 446-8502 Japan

www.makita.com

885411C983 EN, SV, NO, FI, LV, LT, ET, RU 20170518
