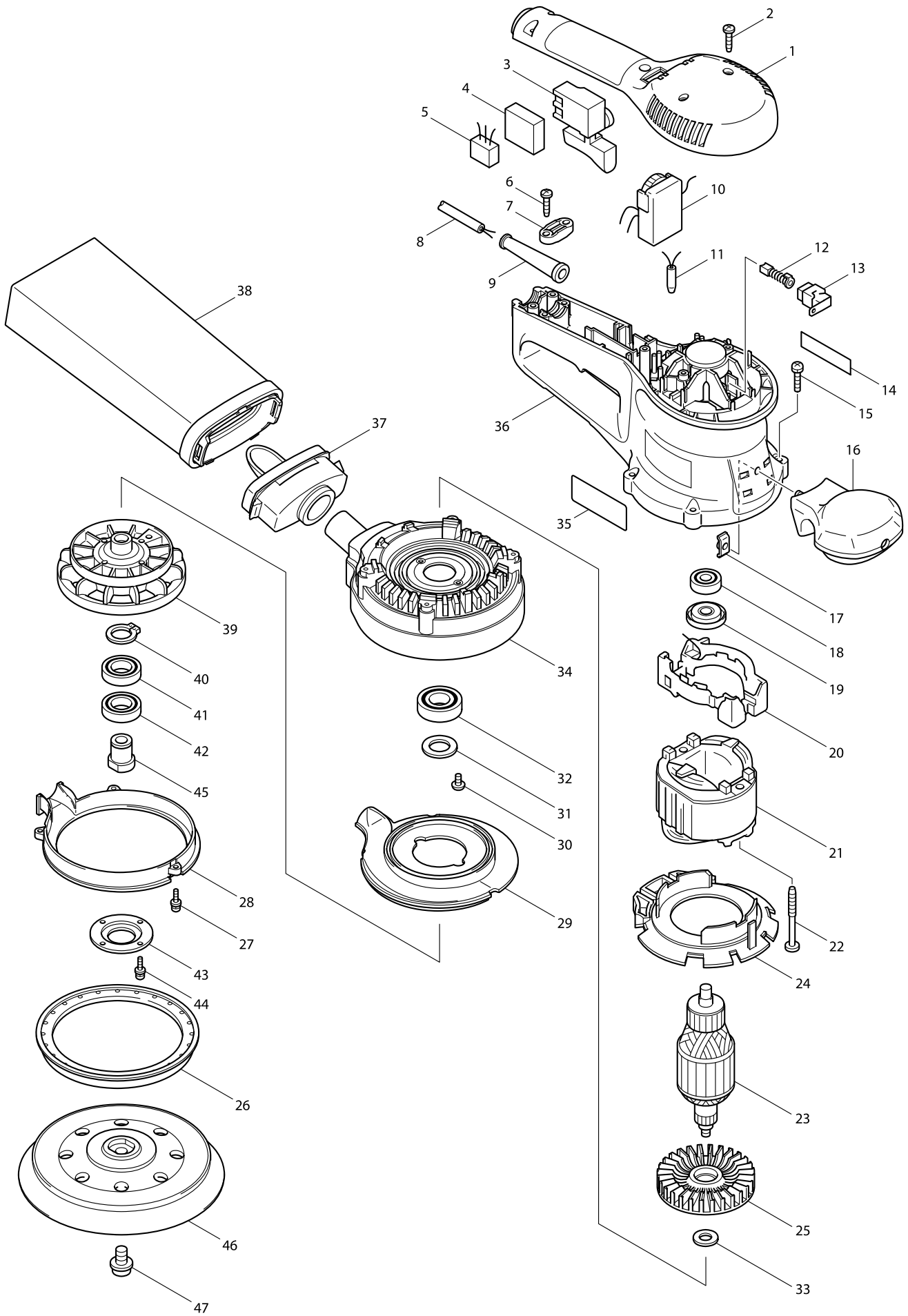


# Model No. BO6030 RANDOM ORBIT SANDER 150MM



# Model No. BO6030 RANDOM ORBIT SANDER 150MM

Item	Parts No.	Description	I/C	Qty	N/O	Opt. 1	Opt. 2	Note
001	417416-6	TOP COVER		1				
002	265995-6	TAPPING SCREW 4X18		5				
003	651286-5	SWITCH SGEL206C-5		1				
004A	685700-9	SPONGE SHEET		1	*			
005	645253-0	NOISE SUPPRESSOR		1	*			
005-1	645190-8	NOISE SUPPRESSOR	S	1				
006	265995-6	TAPPING SCREW 4X18		2				
007	687052-4	STRAIN RELIEF		1				
008	695034-2	POWER SUPPLY CORD 1.0-2-4.0		1				
009	682559-5	CORD GUARD 8		1				
010	631424-5	CONTROLLER		1				
011	646056-5	CHOKO COIL		1				
012A_	191962-4	CARBON BRUSH CB-419		1				
013	643923-5	BRUSH HOLDER		2				
014	819063-3	MAKITA LABEL		1				
015	911138-5	PAN HEAD SCREW M4X20		4				
016	168324-1	FRONT GRIP		1				
017	252042-2	SQUARE NUT M5		1				
018	210005-4	BALL BEARING 608DDW		1				
019	681644-1	INSULATION WASHER		1				
020	638067-4	SUPPORT COMPLETE		1				
021	634408-2	FIELD 220-240V		1				
022	266046-8	TAPPING SCREW 5X50		2				
023	516453-8	ARMATURE ASS'Y 220-240V		1				
D10		INC. 18,19,25						
024	417415-8	BAFFLE PLATE		1				
025	240043-2	FAN 70		1				
026	421763-9	RUBBER GUARD		1				
027	911018-5	PAN HEAD SCREW M3X12		3				
028	183323-2	SCROLL HOUSING SET		1				
D10		INC. 29						
029	183323-2	SCROLL HOUSING SET		1				
D10		INC. 28						
030	251291-8	+ SCREW M4X8		2				
031	253315-6	THIN WASHER 15		1				
032A	211227-9	BALL BEARING 6002DDW		1	*			
032-1A	211236-8	BALL BEARING 6002DDW	O	1				
032-1B	211236-8	BALL BEARING 6002DDW		1				
033	253878-2	FLAT WASHER 10		1				
034	317416-5	SKIRT		1				
035	852996-9	NAME PLATE BO6030		1	*			
035-1	851C05-9	NAME PLATE BO6030	<	1				
036	183322-4	MOTOR HOUSING SET		1				
D10		INC. 14						
037A	151518-5	DUST NOZZLE COMPLETE		1	*			
038A	151517-7	DUST BAG COMPLETE		1	*			
039	241665-1	FAN 92		1				
040	961055-9	RETAINING RING S-15		1				

