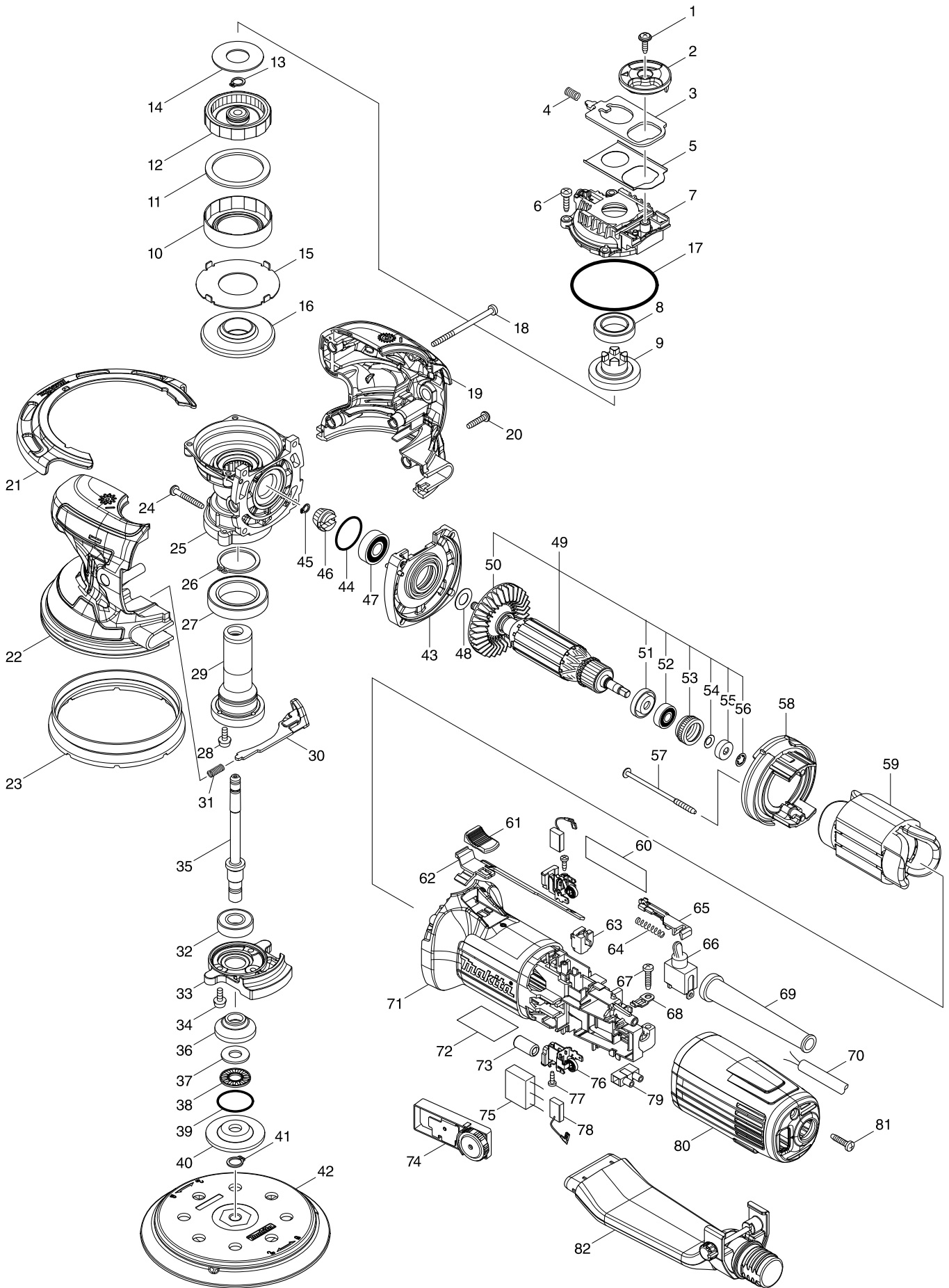


Model No. BO6050 150MM RANDOM ORBIT SANDER



Model No. BO6050 150MM RANDOM ORBIT SANDER

Item	Parts No.	Description	I/C	Qty	N/O	Opt. 1	Opt. 2	Note
001	266901-4	TAPPING SCREW 4X14		1				
002	456126-0	CHANGE KNOB		1				
003	346914-2	CHANGE PLATE		1	*			
003-1	347150-3	CHANGE PLATE	<	1				
004	231490-8	COMPRESSION SPRING 5		1				
005	346913-4	GUIDE PLATE		1				
006	266034-5	TAPPING SCREW CT 4X16		4				
007	456117-1	TOP COVER		1				
008	211333-0	BALL BEARING 6804LLU		1				
009	227386-9	SPUR GEAR 31		1				
010	424748-4	BRAKE RING		1				
011	261157-4	SPONGE WASHER 40		1				
012	227387-7	INTERNAL GEAR 34		1				
013	961004-6	RETAINING RING S-8		1				
014	267290-0	FLAT WASHER 18		1				
015	346912-6	PLATE		1				
016	227648-5	SPIRAL BEVEL GEAR 43		1				
017	213707-1	O RING 65		1				
018	266060-4	TAPPING SCREW 4X65		1				
019	183B68-4	HEAD COVER SET		1				
D10		INC. 22						
020	265995-6	TAPPING SCREW 4X18		4				
021	456127-8	PAD PROTECTOR		1				
022	183B68-4	HEAD COVER SET		1				
D10		INC. 19						
023	424747-6	RUBBER GUARD		1				
024	266050-7	TAPPING SCREW 4X30		4				
025	143324-2	GEAR HOUSING COMPLETE		1				
026	961110-7	RETAINING RING S-30		1				
027	211445-9	BALL BEARING 6906DDW		1				
028	911119-9	PAN HEAD SCREW M4X12		3				
029	143325-0	OUTER SPINDLE COMPLETE		1				
030	143376-3	SHAFT LOCK COMPLETE		1				
031	233285-5	COMPRESSION SPRING 4		1				
032	211131-2	BALL BEARING 6001DDW		1				
033	319330-1	BALANCER		1				
034	911119-9	PAN HEAD SCREW M4X12		3				
035	143375-5	INNER SPINDLE COMPLETE		1				
036	326582-7	COVER		1				
037	253024-7	FLAT WASHER 10		1				
038	216413-7	THRUST NEEDLE CAGE 1024		1				
039	213445-5	O-RING 26		1				
040	326581-9	FLANGE		1				
041	961006-2	RETAINING RING S-10		1				
042	197314-7	PAD 150 SET		1				
043	143327-6	GEAR HOUSING COVER COMPLETE		1				
044	213445-5	O-RING 26		1				
045	961002-0	RETAINING RING S-6		1				

Model No. BO6050 150MM RANDOM ORBIT SANDER

Item	Parts No.	Description	I/C	Qty	N/O	Opt. 1	Opt. 2	Note
046	227647-7	SPIRAL BEVEL GEAR 11		1				
047	210059-1	BALL BEARING 6000DDW		1				
048	253758-2	FLAT WASHER 10		1				
049	513443-2	ARMATURE ASS'Y 220-240V		1				
D10		INC. 50-56						
050	240084-8	FAN 60		1				
051	681636-0	INSULATION WASHER		1				
052	210034-7	BALL BEARING 607LLB		1				
053	421868-5	LABYRINTH RUBBER RING 19		1				
054	267756-0	WAVE WASHER 6		1				
055	688117-5	MAGNET SLEEVE		1				
056	259039-2	SELF LOCK 6		1				
057	266049-2	TAPPING SCREW 4X75		2				
058	456116-3	BAFFLE PLATE		1				
059	621773-8	FIELD 220-240V		1				
060	851L09-5	BO6050 NAME PLATE		1				
061	419566-3	SWITCH KNOB		1				
062	456122-8	FRONT SWITCH LEVER		1				
063	456124-4	PICUP COIL COVER		1				
064	233071-4	COMPRESSION SPRING 4		1				
065	456123-6	REAR SWITCH LEVER		1				
066	651423-1	SWITCH		1				
067	265995-6	TAPPING SCREW 4X18		1				
068	687682-1	STRAIN RELIEF		1				
069	682566-8	CORD GUARD 10		1				
070	665890-4	POWER SUPPLY CORD 1.0-2-4.0		1				
071	456120-2	MOTOR HOUSING		1				
072	807P04-7	INDICATION LABEL		1				
073	688161-2	LINE FILTER		1				
074	620465-6	CONTROLLER		1				
075	645233-6	NOISE SUPPRESOR		1				
076	643770-4	BRUSH HOLDER		2				
077	266007-8	TAPPING SCREW BIND PT 3X10		2				
078	194074-2	CARBON BRUSH CB-325		1				
079	654532-5	TERMINAL BLOCK 1P		1				
080	456121-0	REAR COVER		1				
081	265995-6	TAPPING SCREW 4X18		1				
082	143326-8	NOZZLE COMPLETE		1				
A01	143328-4	GRIP 36 COMPLETE		1				
A02	143676-1	CONNECTOR PLASTIC CASE (TYPE3)		1				
C10	453974-8	LATCH		4				
A03	838246-6	INNER TRAY		1				
A04	807T73-2	BO6050J INDICATION LABEL		1				
A05	807T74-0	BO6050J PLASTIC CASE LABEL		2				
A06	794610-0	ABRASIVE DISC 150#120		1				