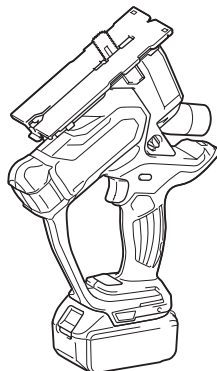




<b>EN</b>	Cordless Drywall Saw	INSTRUCTION MANUAL	5
<b>SV</b>	Batteridrivnen sticksåg	BRUKSANVISNING	10
<b>NO</b>	Batteridrevet stikksag	BRUKSANVISNING	15
<b>FI</b>	Akkukäyttöinen kipsilevysaha	KÄYTTÖOHJE	20
<b>LV</b>	Bezvada ģipškartona zāģis	LIETOŠANAS INSTRUKCIJA	25
<b>LT</b>	Belaidis gipso kartono pjūklas	NAUDOJIMO INSTRUKCIJA	31
<b>ET</b>	Juhtmeta kipsplaadisaag	KASUTUSJUHEND	36
<b>RU</b>	Аккумуляторная пила для гипсокартона	РУКОВОДСТВО ПО ЭКСПЛУАТАЦИИ	41

## DSD180



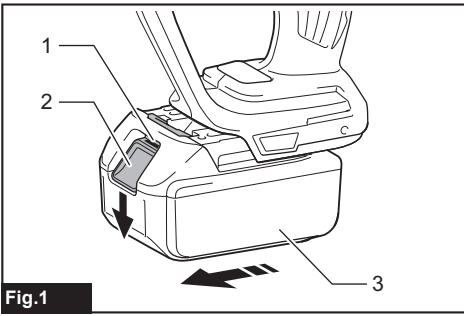


Fig.1

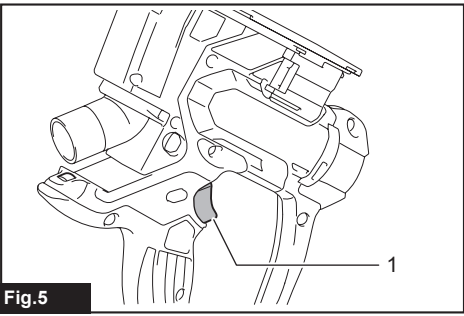


Fig.5

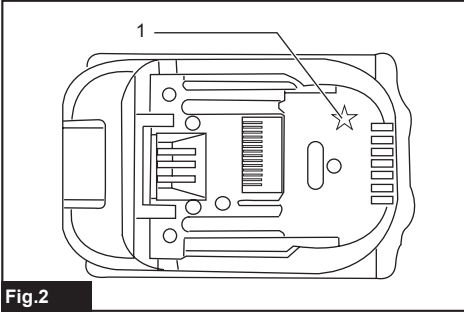


Fig.2

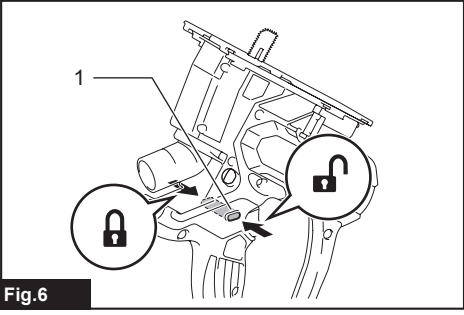


Fig.6

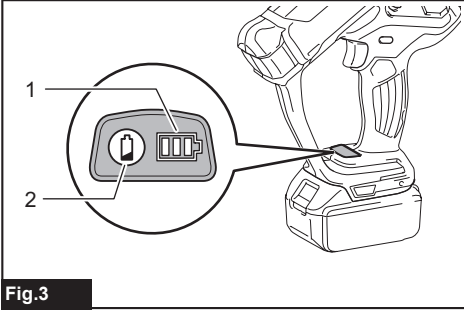


Fig.3

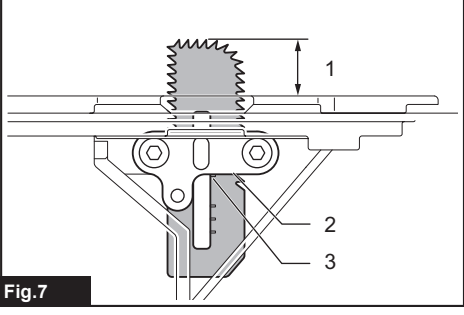


Fig.7

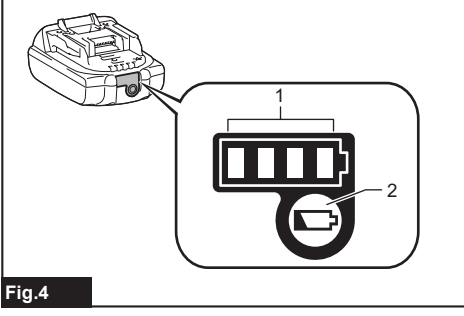


Fig.4

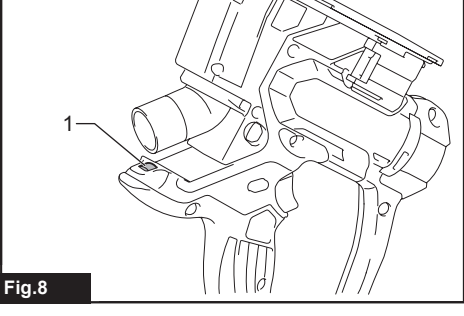
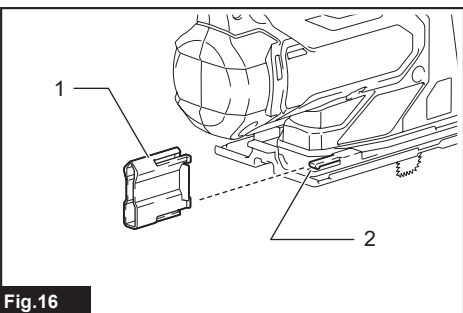
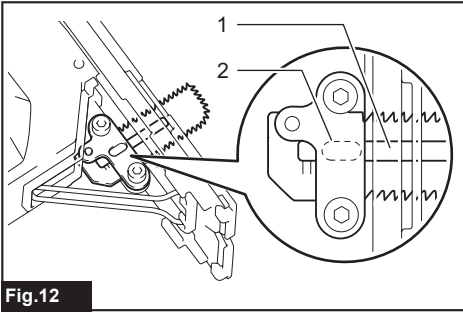
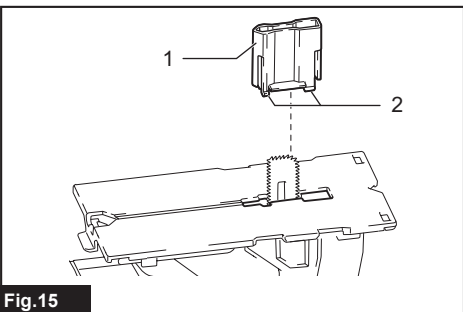
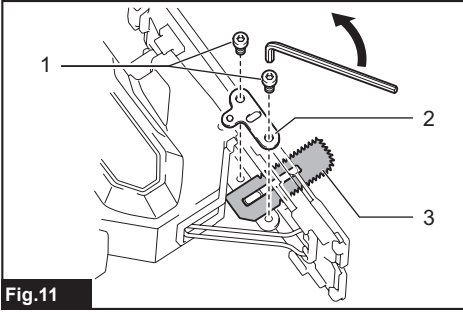
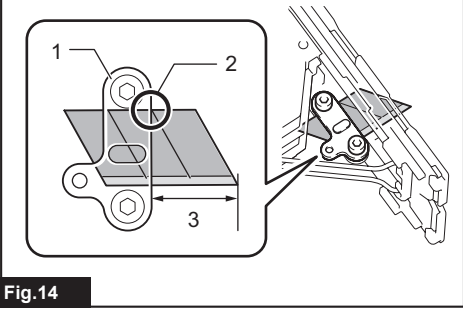
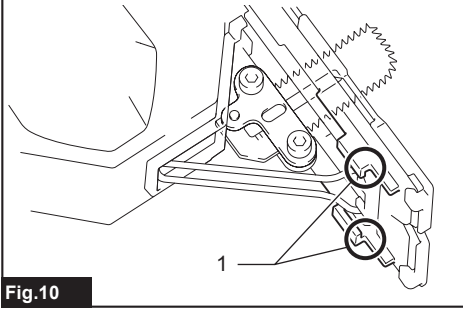
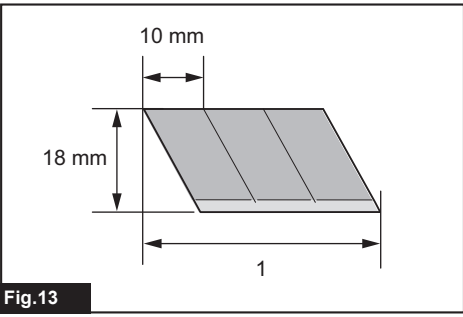
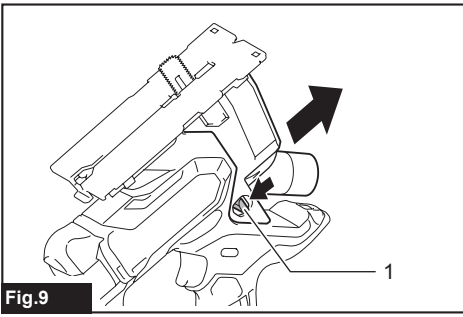


Fig.8



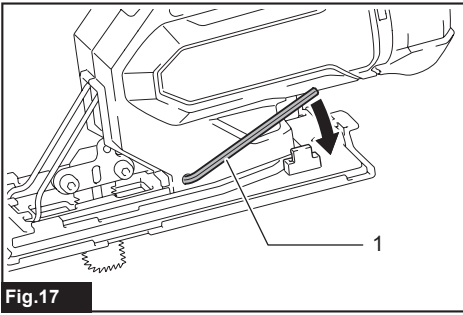


Fig.17

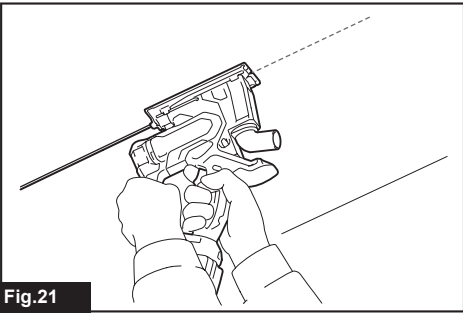


Fig.21

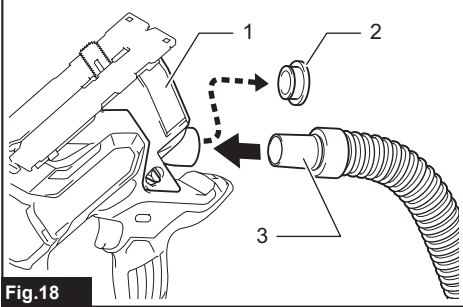


Fig.18

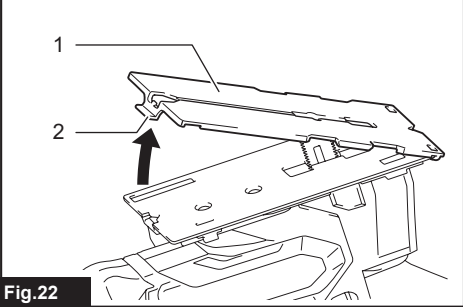


Fig.22

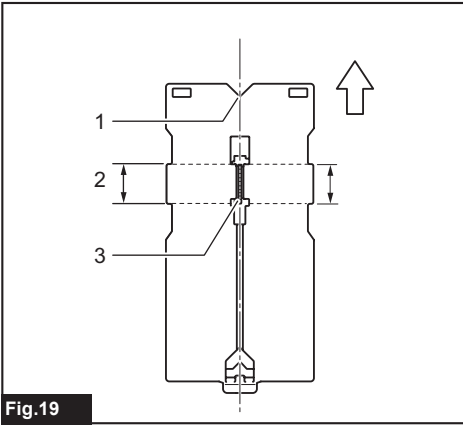


Fig.19

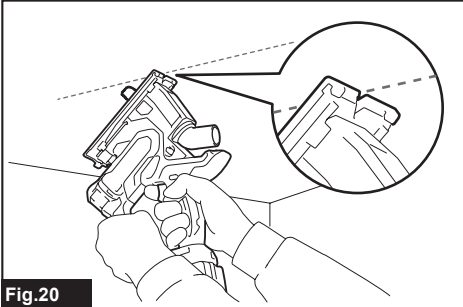


Fig.20



# SPECIFICATIONS

<b>Model:</b>		<b>DSD180</b>	
Length of stroke		6 mm	
Strokes per minute		0 - 6,000 min <sup>-1</sup>	
Maximum cutting capacities	Drywall	30 mm	
	Wood	15 mm	
Rated voltage		D.C. 18 V	
Standard battery cartridges		BL1815N, BL1820, BL1820B	BL1830, BL1830B, BL1840, BL1840B, BL1850, BL1850B, BL1860B
Overall length		258 mm	263 mm
Net weight		1.7 kg	1.9 kg

- Due to our continuing program of research and development, the specifications herein are subject to change without notice.
- Specifications and battery cartridge may differ from country to country.
- Weight, with battery cartridge, according to EPTA-Procedure 01/2003

## Intended use

This tool is intended for plunge-cutting of a drywall. Wood can also be cut by installing a suitable saw blade.

## Noise

The typical A-weighted noise level determined according to EN60745-2-11:

Sound pressure level ( $L_{pA}$ ) : 79 dB(A)

Uncertainty (K) : 3 dB(A)

The noise level under working may exceed 80 dB (A).

**⚠ WARNING: Wear ear protection.**

## Vibration

The vibration total value (tri-axial vector sum) determined according to EN60745-2-11:

Work mode: cutting drywall (thickness 30 mm)

Vibration emission ( $a_h$ ) : 2.5 m/s<sup>2</sup>

Uncertainty (K) : 1.5 m/s<sup>2</sup>

Work mode: cutting chip board (thickness 15 mm)

Vibration emission ( $a_h$ ) : 5.0 m/s<sup>2</sup>

Uncertainty (K) : 1.5 m/s<sup>2</sup>

**NOTE:** The declared vibration emission value has been measured in accordance with the standard test method and may be used for comparing one tool with another.

**NOTE:** The declared vibration emission value may also be used in a preliminary assessment of exposure.

**⚠ WARNING:** The vibration emission during actual use of the power tool can differ from the declared emission value depending on the ways in which the tool is used.

**⚠ WARNING:** Be sure to identify safety measures to protect the operator that are based on an estimation of exposure in the actual conditions of use (taking account of all parts of the operating cycle such as the times when the tool is switched off and when it is running idle in addition to the trigger time).

## EC Declaration of Conformity

*For European countries only*

The EU declaration of conformity is included as Annex A to this instruction manual.

# SAFETY WARNINGS

## General power tool safety warnings

**⚠ WARNING:** Read all safety warnings and all instructions. Failure to follow the warnings and instructions may result in electric shock, fire and/or serious injury.

## Save all warnings and instructions for future reference.

The term "power tool" in the warnings refers to your mains-operated (corded) power tool or battery-operated (cordless) power tool.

## Cordless drywall saw safety warnings

1. Hold power tool by insulated gripping surfaces, when performing an operation where the cutting accessory may contact hidden wiring. Cutting accessory contacting a "live" wire may make exposed metal parts of the power tool "live" and could give the operator an electric shock.
2. Use clamps or another practical way to secure and support the workpiece to a stable platform. Holding the work by hand or against your body leaves it unstable and may lead to loss of control.
3. Always use safety glasses or goggles. Ordinary eye or sun glasses are NOT safety glasses.
4. Avoid cutting nails. Inspect workpiece for any nails and remove them before operation.
5. Do not cut oversize workpiece.
6. Check for the proper clearance beyond the workpiece before cutting so that the blade will not strike the floor, workbench, etc.
7. Hold the tool firmly.
8. Make sure the blade is not contacting the workpiece before the switch is turned on.
9. Keep hands away from moving parts.
10. Do not leave the tool running. Operate the tool only when hand-held.
11. Always switch off and wait for the blade to come to a complete stop before removing the blade from the workpiece.
12. Do not touch the blade or the workpiece immediately after operation; they may be extremely hot and could burn your skin.
13. Do not operate the tool at no-load unnecessarily.
14. Some material contains chemicals which may be toxic. Take caution to prevent dust inhalation and skin contact. Follow material supplier safety data.
15. Always use the correct dust mask/respirator for the material and application you are working with.

## SAVE THESE INSTRUCTIONS.

**⚠WARNING:** DO NOT let comfort or familiarity with product (gained from repeated use) replace strict adherence to safety rules for the subject product. MISUSE or failure to follow the safety rules stated in this instruction manual may cause serious personal injury.

## Important safety instructions for battery cartridge

1. Before using battery cartridge, read all instructions and cautionary markings on (1) battery charger, (2) battery, and (3) product using battery.
2. Do not disassemble battery cartridge.

3. If operating time has become excessively shorter, stop operating immediately. It may result in a risk of overheating, possible burns and even an explosion.
4. If electrolyte gets into your eyes, rinse them out with clear water and seek medical attention right away. It may result in loss of your eyesight.
5. Do not short the battery cartridge:
  - (1) Do not touch the terminals with any conductive material.
  - (2) Avoid storing battery cartridge in a container with other metal objects such as nails, coins, etc.
  - (3) Do not expose battery cartridge to water or rain.A battery short can cause a large current flow, overheating, possible burns and even a breakdown.
6. Do not store the tool and battery cartridge in locations where the temperature may reach or exceed 50 °C (122 °F).
7. Do not incinerate the battery cartridge even if it is severely damaged or is completely worn out. The battery cartridge can explode in a fire.
8. Be careful not to drop or strike battery.
9. Do not use a damaged battery.
10. The contained lithium-ion batteries are subject to the Dangerous Goods Legislation requirements. For commercial transports e.g. by third parties, forwarding agents, special requirement on packaging and labeling must be observed. For preparation of the item being shipped, consulting an expert for hazardous material is required. Please also observe possibly more detailed national regulations. Tape or mask off open contacts and pack up the battery in such a manner that it cannot move around in the packaging.
11. Follow your local regulations relating to disposal of battery.

## SAVE THESE INSTRUCTIONS.

**⚠CAUTION:** Only use genuine Makita batteries. Use of non-genuine Makita batteries, or batteries that have been altered, may result in the battery bursting causing fires, personal injury and damage. It will also void the Makita warranty for the Makita tool and charger.

## Tips for maintaining maximum battery life

1. Charge the battery cartridge before completely discharged. Always stop tool operation and charge the battery cartridge when you notice less tool power.
2. Never recharge a fully charged battery cartridge. Overcharging shortens the battery service life.
3. Charge the battery cartridge with room temperature at 10 °C - 40 °C (50 °F - 104 °F). Let a hot battery cartridge cool down before charging it.
4. Charge the battery cartridge if you do not use it for a long period (more than six months).

## FUNCTIONAL DESCRIPTION

**CAUTION:** Always be sure that the tool is switched off and the battery cartridge is removed before adjusting or checking function on the tool.

### Installing or removing battery cartridge

**CAUTION:** Always switch off the tool before installing or removing of the battery cartridge.

**CAUTION:** Hold the tool and the battery cartridge firmly when installing or removing battery cartridge. Failure to hold the tool and the battery cartridge firmly may cause them to slip off your hands and result in damage to the tool and battery cartridge and a personal injury.

► Fig.1: 1. Red indicator 2. Button 3. Battery cartridge

To remove the battery cartridge, slide it from the tool while sliding the button on the front of the cartridge.

To install the battery cartridge, align the tongue on the battery cartridge with the groove in the housing and slip it into place. Insert it all the way until it locks in place with a little click. If you can see the red indicator on the upper side of the button, it is not locked completely.

**CAUTION:** Always install the battery cartridge fully until the red indicator cannot be seen. If not, it may accidentally fall out of the tool, causing injury to you or someone around you.

**CAUTION:** Do not install the battery cartridge forcibly. If the cartridge does not slide in easily, it is not being inserted correctly.

### Battery protection system

#### Lithium-ion battery with star marking

► Fig.2: 1. Star marking

Lithium-ion batteries with a star marking are equipped with a protection system. This system automatically cuts off power to the tool to extend battery life.

The tool will automatically stop during operation if the tool and/or battery are placed under one of the following conditions:

#### Overloaded:

The tool is operated in a manner that causes it to draw an abnormally high current.

In this situation, turn the tool off and stop the application that caused the tool to become overloaded. Then turn the tool on to restart.

If the tool does not start, the battery is overheated. In this situation, let the battery cool before turning the tool on again.

#### Low battery voltage:

The remaining battery capacity is too low and the tool will not operate. In this situation, remove and recharge the battery.

### Indicating the remaining battery capacity

► Fig.3: 1. Battery indicator 2. Check button

Press the check button to indicate the remaining battery capacities. The battery indicators correspond to each battery.

Battery indicator status		Remaining battery capacity
On	Off	
		50% or more
		20% - 50%
		Less than 20%

### Indicating the remaining battery capacity

*Only for battery cartridges with "B" at the end of the model number*

► Fig.4: 1. Indicator lamps 2. Check button

Press the check button on the battery cartridge to indicate the remaining battery capacity. The indicator lamps light up for few seconds.

Indicator lamps			Remaining capacity
Lighted	Off	Blinking	
			75% to 100%
			50% to 75%
			25% to 50%
			0% to 25%
			Charge the battery.
			The battery may have malfunctioned.



**NOTE:** Depending on the conditions of use and the ambient temperature, the indication may differ slightly from the actual capacity.

### Switch action

► Fig.5: 1. Switch trigger

**CAUTION:** Before installing the battery cartridge into the tool, always check to see that the switch trigger actuates properly and returns to the "OFF" position when released.

To start the tool, simply pull the switch trigger. Tool speed is increased by increasing pressure on the switch trigger. Release the switch trigger to stop.

The trigger can be locked off to prevent it from being pulled accidentally. To lock the trigger off, press the button from the side with  marking. To unlock, press the button from the side with  marking.

► Fig.6: 1. Lock-off button

**CAUTION:** Always lock the tool off when carrying or suspending the operation.

## Adjusting depth of cut

The cutting depth corresponds with the scale on the blade. Loosen the screw on the blade holder until the blade can move freely. Align the scale on the blade with the bottom line of the blade holder. Then tighten the screws.

► Fig.7: 1. Cutting depth 2. Bottom line of the blade holder 3. Scale on the blade

The maximum cutting depth depends on the type of the saw blade. Always use the saw blade designed for cutting the working material.

Type of saw blade	Max. cutting depth
For drywall	30 mm
For wood	15 mm

## LED light

**CAUTION:** Do not look in the light or see the source of light directly.

Pull the switch trigger to light up the lamp. The lamp keeps on lighting while the switch trigger is being pulled. The lamp goes out approximately 10 seconds after releasing the trigger.

► Fig.8: 1. Lamp

**NOTE:** Use a dry cloth to wipe the dirt off the lens of the lamp. Be careful not to scratch the lens of lamp, or it may lower the illumination.

## ASSEMBLY

**CAUTION:** Always be sure that the tool is switched off and the battery cartridge is removed before carrying out any work on the tool.

## Removing the dust collector

**CAUTION:** Never operate the tool without the dust collector. Dust may come into your eyes and cause eye injury.

To remove the dust collector, hold the tool handle and pull back the tabs on the tool. Be sure to pull the tabs on the both sides at the same time.

► Fig.9: 1. Tab

When installing, align the dust collector's edge with the groove on the base.

► Fig.10: 1. Groove

## Replacing drywall saw blade

**CAUTION:** Always clean out all chips or foreign matter adhering to the blade and/or blade holder. Failure to do so may cause insufficient tightening of the blade, resulting in a serious personal injury.

**CAUTION:** Do not touch the blade or the workpiece immediately after operation. They may be extremely hot and could burn your skin.

**CAUTION:** Make sure that the blade is properly secured. Insufficient tightening of the blade may cause blade breakage or serious personal injury.

1. Remove the dust collector.
2. Remove the bolts on the blade holder with the hex wrench.

► Fig.11: 1. Bolts 2. Blade holder 3. Blade

3. Set a new blade as shown in the figure. Make sure that the curved edge of the blade points forward. Fit the protrusion of the blade holder into the slot on the blade.

► Fig.12: 1. Slot 2. Protruded portion (opposite side)

4. Adjust the cutting depth then tighten the bolts.
5. Attach the dust collector.

## Installing snap-off blade

**CAUTION:** Always use the snap-off blade with designated length, width, and thickness. An inappropriately installed snap-off blade can be broken. A broken blade can fly off and cause a personal injury.

A snap-off blade can also be used with this tool. Use 3 segments of 18 mm wide snap-off blade with 0.5 mm thickness. The maximum cutting depth is 12.5 mm when cutting a drywall.

► Fig.13: 1. Three segments of snap-off blade

1. Loosen the bolts on the blade holder. Turn the blade holder so that its protrusion faces outward.
2. Insert the snap-off blade so that the sharp edge faces forward.
3. Secure the snap-off blade at the position where the end of the first segment comes to the edge of blade holder as illustrated.

► Fig.14: 1. Blade holder 2. End of the first segment of snap-off blade 3. Allowable cutting length

## Attaching blade cap

**CAUTION:** Always attach the blade cap when tool is not used. A bare blade may cause personal injury or damage to the blade itself.

Pass the blade cap through the blade until the hook catches the base cover. Note the direction of the blade cap when attaching; the wider hook comes front side. When removing the blade cap, lift it while pinching the both sides.

► **Fig.15:** 1. Blade cap 2. Hook

During operation, insert the blade cap to the hook on the base as illustrated until it clicks.

► **Fig.16:** 1. Blade cap 2. Hook

## Hex wrench storage

When not in use, store the hex wrench as shown in the figure to keep it from being lost.

► **Fig.17:** 1. Hex wrench

## Connecting a vacuum cleaner

Connect a Makita vacuum cleaner for clean operation. Remove the rubber cap on the dust collector and connect the vacuum cleaner's hose to the nozzle of the dust collector.

► **Fig.18:** 1. Dust collector 2. Rubber cap 3. Vacuum cleaner hose

## OPERATION

**CAUTION:** Hold the tool firmly.

**CAUTION:** Always hold the base flush with the workpiece during cutting. Never perform a curved cut. Failure to do so may cause blade breakage, resulting in a serious injury.

The V-notch and convexed portion in the base cover of the tool indicate the position of the blade. Always check the blade position when cutting.

### The base cover of the tool

► **Fig.19:** 1. V-notch 2. Convexed portion 3. Blade

**NOTE:** For accurate cutting, it is recommended to draw cutting lines on the workpiece beforehand.

1. Place the tip of the blade on the start line. Tilt the tool so that the front edge of the base touches the workpiece. Align the bottom of the V-notch in the front edge with the cutting line.

► **Fig.20**

2. Slowly pull the trigger without the blade making any contact with the workpiece. When the blade attains full speed, push the tool toward the workpiece. As the blade pierces the workpiece, make the whole surface of the base cover contact with the workpiece.

► **Fig.21**

3. Move the tool straight forward until the cutting finishes.

## MAINTENANCE

**CAUTION:** Always be sure that the tool is switched off and the battery cartridge is removed before attempting to perform inspection or maintenance.

**NOTICE:** Never use gasoline, benzine, thinner, alcohol or the like. Discoloration, deformation or cracks may result.

## Cleaning the base cover

Clean off the cutting chips and dust accumulated on the base cover. Lift the base cover while pulling the hook on the back end to remove. Follow the removal procedure in reverse when installing.

► **Fig.22:** 1. Base cover 2. Hook

**CAUTION:** Pay attention to the tip of the blade and cutting chips when removing the base cover.

**NOTICE:** Perform the cleaning periodically. Dirty base cover may damage or deface the working surface.

To maintain product SAFETY and RELIABILITY, repairs, any other maintenance or adjustment should be performed by Makita Authorized or Factory Service Centers, always using Makita replacement parts.

## OPTIONAL ACCESSORIES

**CAUTION:** These accessories or attachments are recommended for use with your Makita tool specified in this manual. The use of any other accessories or attachments might present a risk of injury to persons. Only use accessory or attachment for its stated purpose.

If you need any assistance for more details regarding these accessories, ask your local Makita Service Center.

- Drywall saw blade
- Wood saw blade
- Dust box
- Dust collector
- Hex wrench
- Hook
- Makita genuine battery and charger

**NOTE:** Some items in the list may be included in the tool package as standard accessories. They may differ from country to country.

## SPECIFIKATIONER

<b>Modell:</b>		<b>DSD180</b>	
Slaglängd		6 mm	
Slag per minut		0–6 000 min <sup>-1</sup>	
Max. kapningskapacitet	Gipsvägg	30 mm	
	Trä	15 mm	
Märkspänning		18 V likström	
Standardbatterikassetter		BL 1815N, BL 1820, BL 1820B	BL 1830, BL 1830B, BL 1840, BL 1840B, BL 1850, BL 1850B, BL 1860B
Total längd		258 mm	263 mm
Nettovikt		1,7 kg	1,9 kg

- På grund av vårt pågående program för forskning och utveckling kan dessa specifikationer ändras utan föregående meddelande.
- Specifikationer och batterikassett kan variera mellan olika länder.
- Vikt, med batterikassett, i enlighet med EPTA-procedure 01/2003

### Avsedd användning

Det här verktyget är anpassat för instickssågning i gipsvägg. Det kan också användas för att såga i trä om du monterar en lämplig sågblad.

### Buller

Den normala bullernivån för A-belastning är bestämd enligt EN60745-2-11:

Ljudtrycksnivå ( $L_{pA}$ ): 79 dB (A)

Mättolerans (K): 3 dB (A)

Bullernivån vid arbete kan överstiga 80 dB (A).

**⚠ VARNING:** Använd hörselskydd.

### Vibration

Det totala vibrationsvärdet (treaxlad vektorsumma) bestämt enligt EN60745-2-11:

Arbetsläge: såga i gipsvägg (tjocklek 30 mm)

Vibrationsemission ( $a_h$ ): 2,5 m/s<sup>2</sup>

Mättolerans (K): 1,5 m/s<sup>2</sup>

Arbetsläge: såga i spånplatta (tjocklek 15 mm)

Vibrationsemission ( $a_h$ ): 5,0 m/s<sup>2</sup>

Mättolerans (K): 1,5 m/s<sup>2</sup>

**OBS:** Det deklarerade vibrationsemissionsvärdet har uppmätts i enlighet med standardtestmetoden och kan användas för att jämföra en maskin med en annan.

**OBS:** Det deklarerade vibrationsemissionsvärdet kan också användas i en preliminär bedömning av exponering för vibration.

**⚠ VARNING:** Vibrationsemissionen under faktisk användning av maskinen kan skilja sig från det deklarerade emissionsvärdet, beroende på hur maskinen används.

**⚠ VARNING:** Var noga med att identifiera säkerhetsåtgärder för att skydda användaren, vilka är grundade på en uppskattning av graden av exponering för vibrationer under de faktiska användningsförhållandena, (ta, förutom avtryckartiden, med alla delar av användarcykeln i beräkningen, som till exempel tiden då maskinen är avstängd och när den går på tomgång).

### EG-försäkran om överensstämmelse

*Gäller endast inom EU*

EU-försäkran om överensstämmelse inkluderar som bilaga A till denna bruksanvisning.

## SÄKERHETSVARNINGAR

### Allmänna säkerhetsvarningar för maskiner

**⚠ VARNING:** Läs igenom alla säkerhetsvarningar och anvisningar. Underlåtenhet att följa varningar och instruktioner kan leda till elstöt, brand och/eller allvarliga personskador.

### Spara alla varningar och instruktioner för framtida referens.

Termen "maskin" som anges i varningarna hänvisar till din eldrivna maskin (sladdansluten) eller batteridrivna maskin (sladdlös).

## Säkerhetsvarningar för batteridriven gipssåg

- Håll verktyget i de isolerade handtagen om det finns risk för att sågverktyget kan komma i kontakt med en dold elkabel. Om sågverktyget kommer i kontakt med en strömförande ledning blir verktygets blottlagda metalldelar strömförande och kan ge användaren en elektrisk stöt.
- Använd tvingar eller liknande för att säkra och stödja arbetsstycket på ett stabilt underlag. Att hålla arbetsstycket i händerna eller mot kroppen ger inte tillräckligt stöd, och du riskerar då att förlora kontrollen.
- Använd alltid skyddsglasögon. Vanliga glasögon och solglasögon är INTE skyddsglasögon.
- Undvik att säga i spik. Ta bort alla spikar i arbetsstycket innan du sågar.
- Såga inte för stora arbetsstycken.
- Kontrollera att det finns tillräckligt med fritt utrymme under arbetsstycket innan arbetet påbörjas så att sågbladet inte slår emot golvet, arbetsbänken osv.
- Håll verktyget i ett fast grepp.
- Se till att bladet inte är i kontakt med arbetsstycket innan du trycker på avtryckaren.
- Håll händerna borta från rörliga delar.
- Lämna inte verktyget igång. Använd endast verktyget när du håller det i händerna.
- Stäng av verktyget och vänta tills bladet stannat helt innan bladet avlägsnas från arbetsstycket.
- Rör inte vid sågbladet eller arbetsstycket omedelbart efter avslutat arbete, då de kan vara mycket heta och ge brännskador.
- Använd inte verktyget obelastat i onödan.
- Vissa material kan innehålla giftiga kemikalier. Se till att du inte andas in dammet eller får något på huden. Följ anvisningarna i leverantörens materialsäkerhetsblad.
- Använd alltid dammask eller andningsrespirator som är anpassad efter det material du arbetar med och de förhållanden du arbetar under.
- Om drifttiden blivit avsevärt kortare ska användningen avbrytas omedelbart. Det kan uppstå överhettning, brännskador och t o m en explosion.
- Om du får elektrolyt i ögonen ska de sköljas med rent vatten och läkare uppsöks omedelbart. Det finns risk för att synen förloras.
- Kortslut inte batterikassetten.
  - Rör inte vid polerna med något strömförande material.
  - Undvik att förvara batterikassetten tillsammans med andra metallobjekt som t.ex. spikar, mynt o.s.v.
  - Skydda batteriet mot vatten och regn. En batterikortslutning kan orsaka ett stort strömflöde, överhettning, brand och maskinhaveri.
- Förvara inte maskinen och batterikassetten på platser där temperaturen kan nå eller överstiga 50 °C.
- Bränn inte upp batterikassetten även om den är svårt skadad eller helt utsliten. Batterikassetten kan explodera i öppen eld.
- Var försiktig så att du inte råkar tappa batteriet och utsätt det inte för stötar.
- Använd inte ett skadat batteri.
- De medföljande litiumjonbatterierna är föremål för kraven i gällande lagstiftning för farligt gods. För kommersiella transporter (av t.ex. tredje parter som expeditionfirmor) måste de särskilda transportkrav som anges på emballaget och etiketter iakttas. För att förbereda den produkt som ska avsändas krävs att du konsulterar en expert på riskmaterial. Var också uppmärksam på att det i ditt land kan finnas ytterligare föreskrifter att följa. Tejpa över eller maskera blottade kontakter och packa batteriet på sådant sätt att det inte kan röra sig fritt i förpackningen.
- Följ lokala föreskrifter beträffande avfallshandtering av batteriet.

## SPARA DESSA ANVISNINGAR.

**⚠ VARNING:** GLÖM INTE att också fortsättningsvis strikt följa säkerhetsanvisningarna för maskinen även efter att du blivit van att använda den. Vid FELAKTIG HANTERING av maskinen eller om inte säkerhetsanvisningarna i denna bruksanvisning följs kan följden bli allvarliga personskador.

## Viktiga säkerhetsanvisningar för batterikassetten

- Innan batterikassetten används ska alla instruktioner och varningsmärken på (1) batteriladdaren, (2) batteriet och (3) produkten läsas.
- Montera inte isär batterikassetten.
- Ladda aldrig en fulladdad batterikasset. Överladdning förkortar batteriets livslängd.
- Ladda batterikassetten vid en rumstemperatur på 10 °C - 40 °C. Låt en varm batterikasset svalna innan den laddas.
- Ladda batterikassetten om du inte har använt den på länge (mer än sex månader).

## SPARA DESSA ANVISNINGAR.

**⚠ FÖRSIKTIGT:** Använda endast äkta Makita-batterier. Användning av oäkta Makita-batterier eller batterier som har manipulerats kan leda till person- och utrustningsskador eller till att batteriet fattar eld. Det upphäver också Makitas garanti för verktyget och laddaren.

## Tips för att uppnå batteriets maximala livslängd

- Ladda batterikassetten innan den är helt urladdad. Stanna alltid maskinen och ladda batterikassetten när du märker att maskinen blir svagare.
- Ladda aldrig en fulladdad batterikasset. Överladdning förkortar batteriets livslängd.
- Ladda batterikassetten vid en rumstemperatur på 10 °C - 40 °C. Låt en varm batterikasset svalna innan den laddas.
- Ladda batterikassetten om du inte har använt den på länge (mer än sex månader).



## FUNKTIONSBESKRIVNING

**⚠ FÖRSIKTIGT:** Se alltid till att maskinen är avstängd och batterikassetten borttagen innan du justerar maskinen eller kontrollerar dess funktioner.

### Montera eller demontera batterikassetten

**⚠ FÖRSIKTIGT:** Stäng alltid av maskinen innan du monterar eller tar bort batterikassetten.

**⚠ FÖRSIKTIGT:** Håll stadigt i maskinen och batterikassetten när du monterar eller tar bort batterikassetten. I annat fall kan det leda till att de glider ur dina händer och orsakar skada på maskinen och batterikassetten samt personskada.

► Fig.1: 1. Röd indikator 2. Knapp 3. Batterikassett

Ta bort batterikassetten genom att skjuta ner knappen på kassetten framsida samtidigt som du drar ut batterikassetten.

Sätt i batterikassetten genom att rikta in tungan på batterikassetten mot spåret i höljet och skjut den på plats. Tryck in batterikassetten ordentligt tills den låser fast med ett klick. Om du kan se den röda indikatorn på knappens ovansida är den inte låst ordentligt.

**⚠ FÖRSIKTIGT:** Sätt alltid i batterikassetten helt tills den röda indikatorn inte längre syns. I annat fall kan den oväntat falla ur maskinen och skada dig eller någon annan.

**⚠ FÖRSIKTIGT:** Montera inte batterikassetten med våld. Om kassetten inte lätt glider på plats är den felinställt.

### Skyddssystem för batteri

#### Litium-ion-batteri med stjärnmarkering

► Fig.2: 1. Stjärnmarkering

Litium-ion-batterier med en stjärnmarkering är utrustade med ett skyddssystem. Detta system bryter automatiskt strömmen till maskinen för att förlänga batteriets livslängd.

Maskinen stoppas automatiskt under pågående användning om någon av följande situationer uppstår:

#### Överbelastning:

Maskinen används på ett sätt som gör att den förbrukar onormalt mycket ström.

När detta sker stänger du av maskinen och upphör med arbetet som gjorde att maskinen överbelastades. Starta därefter upp maskinen igen.

Om maskinen inte startar är batteriet överhettat. Låt då batteriet svalna innan du startar maskinen igen.

#### Batterispänningen faller:

Den kvarvarande batterikapaciteten är för låg och maskinen fungerar inte. I detta läge tar du bort batteriet och laddar det.

## Indikerar kvarvarande batterikapacitet

► Fig.3: 1. Batteriindikator 2. Kontrollknapp

Tryck på kontrollknappen för att se kvarvarande batterikapacitet. Batteriindikeringarna motsvarar varje batteri.

Batteriindikatorstatus		Kvarvarande batterikapacitet
På	Av	
		50% eller mer
		20–50 %
		Mindre än 20 %

## Indikerar kvarvarande batterikapacitet

**Gäller endast för batterikassetter med ett "B" på slutet i modellnumret**

► Fig.4: 1. Indikatorlampor 2. Kontrollknapp

Tryck på kontrollknappen på batterikassetten för att se kvarvarande batterikapacitet. Indikatorlamporna lyser i ett par sekunder.

Indikatorlampor			Kvarvarande kapacitet
Upplyst	Av	Bliktar	
			75% till 100%
			50% till 75%
			25% till 50%
			0% till 25%
			Ladda batteriet.
			Batteriet kan ha skadats.

**OBS:** Beroende på användningsförhållanden och den omgivande temperaturen kan indikationen skilja sig lätt från den faktiska batterikapaciteten.

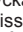

## Avtryckarens funktion

► Fig.5: 1. Avtryckare



**⚠ FÖRSIKTIGT:** Innan du sätter i batterikassetten i maskinen ska du kontrollera att avtryckaren fungerar och återgår till läget "OFF" när du släpper den.

Tryck in avtryckaren för att starta maskinen. Hastigheten ökas genom att trycka hårdare på avtryckaren. Släpp avtryckaren för att stoppa maskinen.

Avtryckaren kan låsas för att förhindra att den trycks in av misstag. Tryck in knappen från sidan som är märkt med  för att låsa avtryckaren. Tryck in knappen från sidan som är märkt med  för att låsa upp avtryckaren.  
► Fig.6: 1. Startspär

**⚠ FÖRSIKTIGT:** Lås alltid verktyget när du bär det eller upphör med sågningen.

## Justera sågdjupet

Sågdjupet motsvarar skalan på sågbladet. Lossa på skruven på bladhållaren tills bladet kan röra sig fritt. Rikta in skalan på bladet mot den nedersta linjen på bladhållaren. Dra sedan åt skruvarna.

► Fig.7: 1. Sågdjup 2. Nedersta linjen på bladhållaren 3. Skalan på bladet

Det maximala sågdjupet beror på typ av sågblad. Använd alltid det sågblad som är utformat för att såga i arbetsmaterialet.

Typ av sågblad	Max. kapningsdjup
För gipsvägg	30 mm
För trä	15 mm

## LED-lampa

**⚠ FÖRSIKTIGT:** Titta inte in i ljuset eller direkt i ljuskällan.

Tryck på avtryckaren för att tända lampan. Lampan fortsätter att lysa så länge du håller avtryckaren intryckt. Lampan slocknar ca 10 sekunder efter att du har släppt avtryckaren.

► Fig.8: 1. Lampa

**OBS:** Använd en torr trasa för att torka bort smuts från lampglaset. Var försiktig så att inte lampglaset repas eftersom ljuset då kan bli svagare.

## MONTERING

**⚠ FÖRSIKTIGT:** Se alltid till att maskinen är avstängd och batterikassetten borttagen innan du underhåller maskinen.

## Ta bort dammupsamlaren

**⚠ FÖRSIKTIGT:** Använd aldrig maskinen utan dammupsamlaren. Du kan få damm i ögonen vilket kan orsaka ögonskador.

För att ta bort dammupsamlaren håller du i handtaget och drar bak flikarna på verktyget. Var noga med att dra i flikarna på båda sidorna samtidigt.

► Fig.9: 1. Flik

Rikta in dammupsamlarens kant med skårorna på bottenplattan.

► Fig.10: 1. Spår

## Byte av sågblad för gipsvägg

**⚠ FÖRSIKTIGT:** Ta alltid bort spån och annat främmande material som sitter fast på bladet och/eller bladhållaren. Om du inte gör det kan det hända att sågbladet inte dras åt ordentligt med allvarliga personskador som följd.

**⚠ FÖRSIKTIGT:** Rör inte sågbladet eller arbetsstycket direkt efter arbetet. De kan vara extremt varma och orsaka brännskador.

**⚠ FÖRSIKTIGT:** Kontrollera att sågbladet är säkert monterat. Om detta inte görs kan sågbladet brytas av eller allvarliga personskador uppstå.

1. Ta bort dammupsamlaren.
2. Lossa på skruvarna på bladhållaren med en insexnyckel.

► Fig.11: 1. Bultar 2. Bladhållare 3. Kniv

3. Montera ett nytt blad såsom visas på bilden. Se till att sågbladets böjda kant pekar framåt. Passa in den utskjutande delen på bladhållaren i skåran på bladet.

► Fig.12: 1. Skåra 2. Utskjutande del (motsatt sida)

4. Justera sågdjupet och dra sedan åt bultarna.
5. Montera dammupsamlaren.

## Montera snap-off-bladet

**⚠ FÖRSIKTIGT:** Använd alltid det snap-off-blad som har lämplig längd, bredd och tjocklek. Ett olämpligt monterat snap-off-blad kan gå sönder. Ett trasigt blad kan flyga iväg och orsaka personskador.

Ett snap-off-blad kan också användas med det här verktyget. Använd 3 segment med 18 mm breda snap-off-blad med en tjocklek på 0,5 mm. Det maximala sågdjupet är 12,5 mm vid sågning av gipsvägg.

► Fig.13: 1. Tre segment av snap-off-blad

1. Lossa bulten på bladhållaren. Vrid bladehållaren så att dess utskjutande del är vänd utåt.
2. Sätt in snap-off-bladet så att dess vassa kant är vänd framåt.
3. Säkra snap-off-bladet på den position där slutet av det första segmentet kommer till kanten av bladhållaren såsom visas på bilden.

► Fig.14: 1. Bladhållare 2. Slutet på det första segmentet på snap-off-bladet 3. Tillåten klipplängd

## Montera bladhöljet

**⚠ FÖRSIKTIGT:** Sätt alltid på bladhöljet när verktyget inte används. Ett oskyddat blad kan orsaka personskador eller skador på bladet.

Passera bladhöljet över bladet tills kroken hakar i bashöljet. Observera riktningen på bladhöljet när du sätter fast det; den bredare kroken är på framsidan. För att ta bort bladhöljet lyfter du upp det samtidigt som du nyper till på båda sidor.

► **Fig.15:** 1. Bladhölje 2. Krok

När verktyget används sätter du in bladhöljet på kroken på basplattan såsom visas på bilden tills den klickar.

► **Fig.16:** 1. Bladhölje 2. Krok

## Förvaring av insexnyckel

Förvara insexnyckeln enligt figuren när den inte används, så att du alltid har den till hands.

► **Fig.17:** 1. Insexnyckel

## Ansluta en dammsugare

Anslut en dammsugare från Makita för en ren användning. Ta bort gummiproppen på lådans lock och anslut dammsugarslangens till munstycket på dammuppsamlaren.

► **Fig.18:** 1. Dammuppsamlare 2. Gummipropp  
3. Dammsugarslang

## ANVÄNDNING

**⚠ FÖRSIKTIGT:** Håll verktyget i ett fast grepp.

**⚠ FÖRSIKTIGT:** Håll alltid bottenplattan plant mot arbetsstycket vid sågning. Utför aldrig ett krökt snitt. I annat fall kan sågbladet brytas av med en allvarlig olycka som följd.

V-skåran och den konvexa delen av verktygets av bashölje indikerar bladets position. Kontrollera alltid bladets position under sågning.

### Verktygets bashölje

► **Fig.19:** 1. V-skåra 2. Konvext del 3. Kniv

**OBS:** För korrekt sågning är det rekommenderat att rita dit skärlinjerna på arbetsstycket i förhand.

1. Placera bladets spets på startlinjen. Luta verktyget så att basplattans främre kant rör vid arbetsstycket. Rikta in botten på V-skåran i framkanten med skärlinjen.  
► **Fig.20**

2. Tryck försiktigt in avtryckaren utan att bladet kommer i kontakt med arbetsstycket. När bladet uppnår full hastighet trycker du verktyget mot arbetsstycket. När bladet går igenom arbetsstycket låter du bashöljets hela yta komma i kontakt med arbetsstycket.  
► **Fig.21**

3. Flytta verktyget rakt fram tills sågningen är färdig.

## UNDERHÅLL

**⚠ FÖRSIKTIGT:** Se alltid till att maskinen är avstängd och batterikassetten borttagen innan inspektion eller underhåll utförs.

**OBSERVERA:** Använd inte bensin, förtunningsmedel, alkohol eller liknande. Missfärgning, deformation eller sprickor kan uppstå.

## Rengöra bashöljet

Ta bort flisor och damm som har samlats på bashöljet. Lyft upp bashöljet samtidigt som du drar i kroken på baksidan för att ta bort det. Följ borttagningsinstruktionerna i motsatt ordning när du monterar.

► **Fig.22:** 1. Bashölje 2. Krok

**⚠ FÖRSIKTIGT:** Var uppmärksam på bladets spets och flisor när du tar bort bashöljet.

**OBSERVERA:** Utför rengöring periodiskt. Ett smutsigt bashölje kan skada eller vanställa arbetsytan.

För att upprätthålla produktens SÄKERHET och TILLFÖRLITLIGHET bör allt underhålls- och justeringsarbete utföras av ett auktoriserat Makita servicecenter och med reservdelar från Makita.

## VALFRIA TILLBEHÖR

**⚠ FÖRSIKTIGT:** Följande tillbehör eller tillsatser rekommenderas för användning med den Makita-maskin som denna bruksanvisning avser. Om andra tillbehör eller tillsatser används kan det uppstå risk för personskador. Använd endast tillbehören eller tillsatserna för de syften de är avsedda för.

Kontakta ditt lokala Makita servicecenter om du behöver ytterligare information om dessa tillbehör.

- Gippsågblad
- Träsågblad
- Dammuppsamlingslåda
- Dammuppsamlare
- Insexnyckel
- Krok
- Makitas originalbatteri och -laddare

**OBS:** Några av tillbehören i listan kan vara inkluderade i maskinpaketet som standardtillbehör. De kan variera mellan olika länder.

## TEKNISKE DATA

<b>Modell:</b>		<b>DSD180</b>	
Slaglengde		6 mm	
Slag per minutt		0 - 6 000 min <sup>-1</sup>	
Maksimum skjærekapasitet	Tørrvegg	30 mm	
	Tre	15 mm	
Nominell spenning		DC 18 V	
Standard batterier		BL1815N, BL1820, BL1820B	BL1830, BL1830B, BL1840, BL1840B, BL1850, BL1850B, BL1860B
Total lengde		258 mm	263 mm
Nettovekt		1,7 kg	1,9 kg

- På grunn av vårt kontinuerlige forsknings- og utviklingsprogram kan spesifikasjonene som oppgis i dette dokumentet endres uten varsel.
- Spesifikasjoner og batteriinnsett kan variere fra land til land.
- Vekt, med batteriinnsett, i henhold til EPTA-prosedyre 01/2003

### Riktig bruk

Dette verktøyet er ment for dykkskjæring i en tørrvegg. Tre kan også skjæres ved å sette på et egnet sagblad.

### Støy

Typisk A-vektet lydtrykknivå er bestemt i henhold til EN60745-2-11:

Lydtrykknivå ( $L_{pA}$ ): 79 dB (A)

Usikkerhet (K): 3 dB (A)

Støynivået under arbeid kan overskride 80 dB (A).

**⚠ ADVARSEL:** Bruk hørselsvern.

### Vibrasjoner

Den totale vibrasjonsverdien (triaksial vektorsum) bestemt i henhold EN60745-2-11:

Arbeidsmodus: skjæring i tørrvegg (30 mm tykk)

Genererte vibrasjoner ( $a_h$ ): 2,5 m/s<sup>2</sup>

Usikkerhet (K): 1,5 m/s<sup>2</sup>

Arbeidsmodus: skjærer sponplate (15 mm tykk)

Genererte vibrasjoner ( $a_h$ ): 5,0 m/s<sup>2</sup>

Usikkerhet (K): 1,5 m/s<sup>2</sup>

**MERK:** Den angitte verdien for de genererte vibrasjonene er målt i samsvar med standardtestmetoden og kan brukes til å sammenlikne et verktøy med et annet.

**MERK:** Den angitte verdien for de genererte vibrasjonene kan også brukes til en foreløpig vurdering av eksponeringen.

**⚠ ADVARSEL:** De genererte vibrasjonene ved faktisk bruk av elektroverktøyet kan avvike fra den angitte vibrasjonsverdien, avhengig av hvordan verktøyet brukes.

**⚠ ADVARSEL:** Sørg for å identifisere vernetiltak for å beskytte operatøren, som er basert på et estimat av eksponeringen under de faktiske bruksforholdene (idet det tas hensyn til alle deler av driftssyklusen, dvs. hvor lenge verktøyet er slått av, hvor lenge det går på tomgang og hvor lenge startbryteren faktisk holdes trykket).

### EFs samsvarserklæring

*Gjelder kun for land i Europa*

EUs samsvarserklæring er lagt til som vedlegg A i denne bruksanvisningen.

## SIKKERHETSADVARSEL

### Generelle advarsler angående sikkerhet for elektroverktøy

**⚠ ADVARSEL:** Les alle sikkerhetsadvarslene og alle instruksjonene. Hvis du ikke følger alle advarslene og instruksjonene som er oppført nedenfor, kan det føre til elektriske støt, brann og/eller alvorlige helseskader.

### Oppbevar alle advarsler og instruksjoner for senere bruk.

Uttrykket «elektrisk verktøy» i advarslene refererer både til elektriske verktøy (med ledning) tilkoblet strømmenett, og batteridrevne verktøy (uten ledning).

## Sikkerhetsadvarsler for trådløs stikksag

1. Hold maskinen i det isolerte håndtaket når skjæreverktøyet kan komme i kontakt med skjulte ledninger under arbeidet. Hvis kuttetilbehøret kommer i kontakt med «strømførende» ledninger, kan ikke isolerte metalldele i maskinen bli «strømførende» og kunne gi brukeren elektrisk støt.
2. Bruk klemmer eller en annen praktisk måte for å sikre og støtte arbeidsstykket på en stabil plattform. Hvis du holder det med hånden eller mot kroppen, kan det bli ustabil og føre til at du mister kontrollen.
3. Du må alltid bruke vernebriller eller ansiktsvern. Vanlige briller og solbriller er IKKE vernebriller.
4. Unngå å skjære i spiker. Se etter om det er spiker i arbeidsstykket, og fjern dem før du begynner arbeidet.
5. Ikke skjær for store arbeidsstykker.
6. Sjekk at det er plass nok bak arbeidsstykket før du begynner sagingen, så ikke bladet tref-fer gulvet, arbeidsbenken e.l.
7. Hold godt fast i verktøyet.
8. Forviss deg om at bladet ikke er i kontakt med arbeidsstykket, før du slår på startbryteren.
9. Hold hendene unna bevegelige deler.
10. Ikke gå fra verktøyet mens det er i gang. Verktøyet må bare brukes mens operatøren holder det i hendene.
11. Før du fjerner bladet fra arbeidsstykket, må du alltid slå av sagen og vente til bladet har stop-pet helt.
12. Ikke ta i bladet eller arbeidsstykket rett etter saging. De vil være ekstremt varme, og du kan brenne deg.
13. Ikke bruk maskinen uten belastning, hvis det ikke er nødvendig.
14. Enkelte materialer inneholder kjemikalier som kan være giftige. Vis forsiktighet for å forhindre hudkontakt og innånding av støv. Følg leverandørens sikkerhetsanvisninger.
15. Bruk alltid korrekt støvmaske/pustemaske for materialet og bruksområdet du arbeider med.

## TA VARE PÅ DISSE INSTRUKSENE.

**⚠ ADVARSEL:** IKKE LA hensynet til hva som er "behagelig" eller det faktum at du kjenner produktet godt (etter mange gangers bruk) gjøre deg mindre oppmerksom på sikkerhetsreglene for bruken av det aktuelle produktet. Ved MISBRUK eller hvis ikke sikkerhetsreglene i denne bruks-anvisningen følges, kan det oppstå alvorlig personskade.

## Viktige sikkerhetsanvisninger for batteriinnsetts

1. Før du begynner å bruke batteriet, må du lese alle anvisninger og forsiktighetsregler på (1) batteriladeren, (2) batteriet og (3) det produktet batteriet skal brukes i.
2. Ikke ta fra hverandre batteriet.
3. Hvis driftstiden er blitt vesentlig kortere, må du omgående slutte å bruke maskinen. Hvis ikke kan resultatet bli overoppheting, mulige forbrenninger eller til og med en eksplosjon.
4. Hvis du får elektrolytt i øynene, må du skylle dem med store mengder rennende vann og oppsøke lege med én gang. Denne typen uhell kan føre til varig blindhet.
5. Ikke kortslett batteriet:
  - (1) De kan være ekstremt varme og du kan brenne deg.
  - (2) Ikke lagre batteriet i samme beholder som andre metallgjenstander, som for eksempel spiker, mynter osv.
  - (3) Ikke la batteriet komme i kontakt med vann eller regn.En kortslutning av batteriet kan føre til et kraftig strømstøt, overoppheting, mulige forbrenninger og til og med til at batteriet går i stykker.
6. Ikke lagre maskinen og batteriet på steder hvor temperaturen kan komme opp i eller overskride 50 °C.
7. Ikke sett fyr på batteriet, ikke engang om det er sterkt skadet eller helt utslitt. Batteriet kan eksplodere hvis det begynner å brenne.
8. Vær forsiktig så du ikke mister batteriet eller utsetter det for slag.
9. Ikke bruk batterier som er skadet.
10. Lithium-ion-batteriene som medfølger er gjenstand for krav om spesialavfall. For kommersiell transport, f.eks av tredjeparter eller speditører, må spesielle krav om pakking og merking følges. Før varen blir sendt, må du forhøre deg med en ekspert på farlig materiale. Ta også hensyn til muligheten for mer detaljerte nasjonale bestemmelser. Bruk teip eller maskeringsteip for å skjule åpne kontakter og pakk inn batteriet på en slik måte at den ikke kan bevege seg rundt i emballasjen.
11. Følg lokale bestemmelser for avhending av batterier.

## TA VARE PÅ DISSE INSTRUKSENE.

**⚠ ADVARSEL:** Bruk kun originale Makita-batterier. Bruk av batterier som har endret seg, eller som ikke er originale Makita-batterier, kan føre til at batteriet sprekker og forårsaker brann, personskader og andre skader. Det vil også ugyldiggjøre garantien for Makita-verktøyet og -laderen.

## Tips for å opprettholde maksimal batterilevetid

1. **Lad batteriinnsetsen før den er helt utladet. Stopp alltid driften av verktøyet og lad batteriinnsetsen når du merker at effekten reduseres.**
2. **Lad aldri en batteriinnsets som er fulladet. Overopplading forkorter batteriets levetid.**
3. **Lad batteriet i romtemperatur ved 10 °C - 40 °C. Et varmt batteri må kjøles ned før lading.**
4. **Lad batteriet hvis det ikke har vært brukt på en lang stund (over seks måneder).**

## FUNKSJONSBEKRIVELSE

**⚠ ADVARSEL:** Forviss deg alltid om at maskinen er slått av og batteriet tatt ut før du justerer maskinen eller kontrollerer dens mekaniske funksjoner.

### Sette inn eller ta ut batteri

**⚠ ADVARSEL:** Slå alltid av verktøyet før du setter inn eller fjerner batteriet.

**⚠ ADVARSEL:** Hold verktøyet og batteripatronen i et fast grep når du monterer eller fjerner batteripatronen. Hvis du ikke holder verktøyet og batteripatronen godt fast, kan du miste grepet, og dette kan føre til skader på verktøyet og batteripatronen samt personskader.

► **Fig.1:** 1. Rød indikator 2. Knapp 3. Batteriinnsets

For å ta ut batteriet må du skyve på knappen foran på batteriet og trekke det ut.

Når du skal sette inn batteriet, må du plassere tungen på batteriet på linje med sporet i huset og skyve batteriet på plass. Skyv det helt inn til det går i inngrep med et lite klikk. Hvis du kan se den røde anviseren på oversiden av knappen, er det ikke fullstendig låst.

**⚠ ADVARSEL:** Batteriet må alltid settes helt inn, så langt at den røde anviseren ikke lenger er synlig. Hvis dette ikke gjøres, kan batteriet komme til å falle ut av maskinen og skade deg eller andre som oppholder seg i nærheten.

**⚠ ADVARSEL:** Ikke bruk makt når du setter i batteriet. Hvis batteriet ikke glir lett inn, er det fordi det ikke settes inn på riktig måte.

## Batteribeskyttelsessystem

### Litiumionbatteri med stjernemerking

► **Fig.2:** 1. Stjernemerking

Litiumionbatterier med stjernemerking er utstyrt med et beskyttelsessystem. Dette systemet slår automatisk av strømmen til verktøyet for å forlenge batterilevetiden. Verktøyet stopper automatisk ved drift hvis det og/eller batteriet utsettes for en av følgende tilstander:

### Overbelastning:

Verktøyet brukes på en måte som gjør at det trekker uvanlig mye strøm.

I dette tilfellet må du slå av verktøyet og avslutte bruken som forårsaket at verktøyet ble overbelastet. Slå deretter verktøyet på for å starte det igjen.

Hvis verktøyet ikke starter, er batteriet overbelastet. I så fall må du la batteriet kjøle seg ned før du slår verktøyet på igjen.

### Lav batterispenning:

Gjenværende batterikapasitet er for lav og verktøyet vil ikke fungere. I dette tilfellet, fjern og lad batteriet opp igjen.

## Indikere gjenværende batterikapasitet

► **Fig.3:** 1. Batteriindikator 2. Kontrollknapp

Trykk på kontrollknappen for vise det gjenværende batterinivået. Batteriindikatorene korresponderer til hvert batteri.

Batteriindikatorstatus		Gjenværende batterikapasitet
På	Av	
		50 % eller mer
		20–50 %
		Mindre enn 20 %

## Indikere gjenværende batterikapasitet

### Kun for batterier med «B» sist i modellnummeret

► **Fig.4:** 1. Indikatorlamper 2. Kontrollknapp

Trykk på sjekk-knappen på batteriet for vise gjenværende batterikapasitet. Indikatorlampene lyser i et par sekunder.

Indikatorlamper			Gjenværende batterinivå
Tent	Av	Blinker	
			75 % til 100 %
			50 % til 75 %
			25 % til 50 %
			0 % til 25 %
			Lad batteriet.
			Batteriet kan ha en feil.



**MERK:** Det angitte nivået kan avvike noe fra den faktiske kapasiteten alt etter bruksforholdene og den omgivende temperaturen.

## Bryterfunksjon

► **Fig.5:** 1. Startbryter

**⚠ ADVARSEL:** Før du setter batteriet inn i maskinen, må du alltid kontrollere at startbryteren aktiverer maskinen på riktig måte og går tilbake til «AV»-stilling når den slippes.

For å starte maskinen, må du trykke på startbryteren. Når du trykker hardere på startbryteren, øker hastigheten på verktøyet. Slipp opp bryteren for å stanse verktøyet.

Avtrekkeren kan låses for å forhindre at maskinen blir startet ved et uhell. Trykk inn knappen på siden med -merket for å låse avtrekkeren. Trykk inn knappen på siden med -merket for å låse opp avtrekkeren.

► **Fig.6:** 1. Sperreknapp

**⚠ ADVARSEL:** Lås alltid verktøyet når du flytter på det, eller tar pause i arbeidet.

## Justere skjæredybden

Skjæredybden bestemmes av skalaen på bladet. Løse skruen på bladholderen til bladet er løst. Reguler skalaen på bladet med underkanten på bladholderen. Stram så skruen på bladet.

► **Fig.7:** 1. Skjæredybde 2. Underkanten på bladholderen 3. Skalaen på bladet

Maks skjæredybde kommer an på sagbladetypen. Bruk alltid sagbladet som er laget for materialet du skal skjære.

Sagbladtype	Maksimum skjæredybde
For tørrvegg	30 mm
For tre	15 mm

## LED-lys

**⚠ ADVARSEL:** Ikke se inn i lyset eller se direkte på lyskilden.

Trykk på startbryteren for å tenne lampen. Lampen fortsetter å lyse så lenge startbryteren holdes inne. Lampen slukkes cirka 10 sekunder etter at startbryteren er sluppet.

► **Fig.8:** 1. Lampe

**MERK:** Bruk en tørr klut til å tørke støv osv. av lampelinsen. Vær forsiktig så det ikke blir riper i lampelinsen, da dette kan redusere lysstyrken.

## MONTERING

**⚠ ADVARSEL:** Forviss deg alltid om at maskinen er slått av og batteriet tatt ut før du utfører noe arbeid på maskinen.

## Fjern støvsamleren

**⚠ ADVARSEL:** Bruk aldri verktøyet uten støvsamleren. Du kan få støv i øynene, noe som kan forårsake øyeskader.

Hold i verktøyhåndtaket og trekk tilbake tappene på verktøyet for å fjerne støvsamleren. Sørg for å dra i tappene på begge sider samtidig.

► **Fig.9:** 1. Tapp

Reguler kanten på støvsamleren med sporet på sokkelen under montering.

► **Fig.10:** 1. Spor

## Bytting av stikksagblad

**⚠ ADVARSEL:** Pass alltid på å fjerne flis og fremmedlegemer som kleber til bladet og/eller bladholderen. Hvis dette ikke gjøres skikkelig, kan det bli vanskelig å stramme bladet ordentlig, noe som kan resultere i alvorlige personskader.

**⚠ ADVARSEL:** Du må ikke berøre bladet eller arbeidsstykket umiddelbart etter at arbeidet er utført. Disse kan være ekstremt varme og vil kunne forårsake brannskader.

**⚠ ADVARSEL:** Sørg for at bladet er skikkelig fastmontert. Utilstrekkelig tilstramming av bladet kan forårsake brudd i bladet eller alvorlige personskader.

1. Fjern støvsamleren.

2. Fjern skruene på bladholderen med sekskantnøkkelen.

► **Fig.11:** 1. Skrue 2. Bladholder 3. Blad

3. Sett på et nytt blad som vist på tegningen. Forsikre deg om at den bøyde kanten på bladet peker forover. Sett sperrehaken på bladholderen inn i åpningen på bladet.

► **Fig.12:** 1. Åpning 2. Fremstikkende del (motsatt side)

4. Justere skjæredybden og skru fast skruene.

5. Fest støvsamleren.

## Montering av avbrytbart blad

**⚠ ADVARSEL:** Bruk alltid et avbrytbart blad med ønsket lengde, bredde og tykkelse. Et feilmontert avbrytbart blad kan brette. Brukne bladbiter kan fly avgårde og forårsake personskade.

Et avbrytbart blad kan også brukes på dette verktøyet. Bruk 3 deler av et 18 mm bredt avbrytbart blad med 0,5 mm tykkelse. Maksimal skjæredybde er 12,5 mm ved skjæring i tørrvegg.

► **Fig.13:** 1. Det avbrytbare bladets tre deler

1. Løse skruene på bladholderen. Snu bladholderen så sperrehaken peker utover.

2. Sett inn det avbrytbare bladet så den skarpe kanten peker fremover.

3. Fest det avbrytbare bladet i posisjonen der enden av den første delen er inntil kanten av bladholderen, som vist i illustrasjonen.

- **Fig.14:** 1. Bladholder 2. Enden av den første delen av det avbrytbare bladet 3. Tillatt skjærelengde

## Sette på bladheten

**⚠ ADVARSEL:** Alltid sett på bladheten når verktøyet ikke er i bruk. Et bart blad kan forårsake personskade eller skade selve bladet.

Trekk bladheten over hele bladet helt til kroken når bunn-dekslet. Vær obs på retningen av bladheten under festing; den bredeste kroken skal på fremsiden. Løft bladheten mens du holder på begge sider av maskinen for å fjerne den.

- **Fig.15:** 1. Bladhet 2. Krok

Under bruk må bladheten være festet i kroken på undersiden til du hører et klikk, som vist i illustrasjonen.

- **Fig.16:** 1. Bladhet 2. Krok

## Oppbevare sekskantnøkkel

Når sekskantnøkkelen ikke er i bruk, må du oppbevare den som vist i figuren, slik at du ikke mister den.

- **Fig.17:** 1. Sekskantnøkkel

## Koble til støvsuger

Koble til en Makita-støvsuger for et renere resultat. Ta gummihetten av støvsamleren og koble støvsugerslangen til støvmunnstykket på støvsamleren.

- **Fig.18:** 1. Støvsamler 2. Gummihette  
3. Støvsugerslang

## BRUK

**⚠ ADVARSEL:** Hold godt fast i verktøyet.

**⚠ ADVARSEL:** Hold alltid verktøyfoten sammen med arbeidsstykket under skjæring. Aldri utfør et kutt mens bladet er i spenn. Gjør du ikke det, kan det resultere i at bladet brykker. Dette kan forårsake alvorlige personskader.

V-sporet og den konvekse delen i bunn-dekslet på verktøyet viser posisjonen til bladet. Alltid sjekk bladets posisjon under skjæring.

### Verktøyet bunn-deksel

- **Fig.19:** 1. V-spor 2. Konveks del 3. Blad

**MERK:** Vi anbefaler å tegne opp skjærelinjer på arbeidsemnet på forhånd for å oppnå mest mulig nøyaktig skjæring.

1. Plasser bladspissene på startlinjen. Vipp verktøyet slik at forkanten av bunnflaten berører arbeidsemnet. Juster bunnen av V-sporet i den fremre kanten av skjærelinjen.

- **Fig.20**

2. Trykk forsiktig på avtrekkeren uten at bladet kommer i kontakt med arbeidsemnet. Når bladet har oppnådd full hastighet, skyver du verktøyet mot arbeidsemnet. Sørg for at hele overflaten av bunn-dekslet er i kontakt med arbeidsemnet etter hvert som verktøyet trenger gjennom.

- **Fig.21**

3. Flytt verktøyet rett fremover til skjæringen er fullført.

## VEDLIKEHOLD

**⚠ ADVARSEL:** Forviss deg alltid om at maskinen er slått av og batteriet tatt ut før du foretar inspeksjon eller vedlikehold.

**OBS:** Aldri bruk gasolin, bensin, tynner alkohol eller lignende. Det kan føre til misfarging, deformering eller sprekkdannelse.

## Rengjøring av bunn-dekslet

Fjern søspon og oppsamlet støv fra bunn-dekslet. Løft bunn-dekslet mens du trekker i kroken på baksiden for å fjerne det. Følg denne prosedyren i omvendt rekkefølge under montering.

- **Fig.22:** 1. Bunn-deksel 2. Krok

**⚠ ADVARSEL:** Følg med på bladspissene og sagflisene når du fjerner bunn-dekslet.

**OBS:** Rengjør regelmessig. Et skittent bunn-deksel kan ødelegge eller vansire arbeidsflaten.

For å opprettholde produktets SIKKERHET og PÅLITELIGHET, må reparasjoner, vedlikehold og justeringer utføres av autoriserte Makita servicesentre eller fabrikksservicesentre, og det må alltid brukes reservedeler fra Makita.

## VALGFRITT TILBEHØR

**⚠ ADVARSEL:** Det anbefales at du bruker dette tilbehøret eller verktøyet sammen med den Makita-maskinen som er spesifisert i denne håndboken. Bruk av annet tilbehør eller verktøy kan forårsake personskader. Tilbehør og verktøy må kun brukes til det formålet det er beregnet på.

Ta kontakt med ditt lokale Makita-servicesenter hvis du trenger mer informasjon om dette tilbehøret.

- Stikksagblad
- Tresagblad
- Støvboks
- Støvsamler
- Sekskantnøkkel
- Krok
- Makita originalbatteri og lader

**MERK:** Enkelte elementer i listen kan være inkludert som standardtilbehør i verktøypakken. Elementene kan variere fra land til land.



## TEKNISET TIEDOT

<b>Malli:</b>		<b>DSD180</b>	
Iskun pituus		6 mm	
Iskua minuutissa		0 - 6 000 min <sup>-1</sup>	
Suurin leikkuukapasiteetti	Kipsilevy	30 mm	
	Puu	15 mm	
Nimellisjännite		DC 18 V	
Vakioakkupaketit		BL1815N, BL1820, BL1820B	BL1830, BL1830B, BL1840, BL1840B, BL1850, BL1850B, BL1860B
Kokonaispituus		258 mm	263 mm
Nettopaino		1,7 kg	1,9 kg

- Jatkuvasta tutkimus- ja kehitystyöstämme johtuen esitetyt tekniset tiedot saattavat muuttua ilman erillistä ilmoitusta.
- Tekniset tiedot ja akkupaketti voivat vaihdella maittain.
- Paino akkupaketilla, EPTA-menettelyn 01/2003 mukaan

### Käyttötarkoitus

Tämä työkalu on tarkoitettu kipsilevyn pystyleikkaukseen. Asentamalla sopiva sahanterä laitteella voidaan leikata myös puuta.

### Melutaso

Tyypillinen A-painotettu melutaso määräytyy standardin

EN60745-2-11 mukaan:

Äänenpainetaso ( $L_{pA}$ ): 79 dB (A)

Virhemarginaali (K): 3 dB (A)

Työskentelyn aikana melutaso voi ylittää 80 dB (A).

**VAROITUS:** Käytä kuulosuojaimia.

### Tärinä

Kokonaistärinä (kolmen akselin vektorien summa)

määräytyy standardin EN60745-2-11 mukaan:

Työtila: kipsilevyn leikkaus (paksuus 30 mm)

Tärinäpäästö ( $a_{h1}$ ): 2,5 m/s<sup>2</sup>

Virhemarginaali (K): 1,5 m/s<sup>2</sup>

Työtila: lastulevyn leikkaus (paksuus 15 mm)

Tärinäpäästö ( $a_{h1}$ ): 5,0 m/s<sup>2</sup>

Virhemarginaali (K): 1,5 m/s<sup>2</sup>

**HUOMAA:** Ilmoitettu tärinäpäästöarvo on mitattu standarditestausten mukaisesti, ja sen avulla voidaan vertailla työkaluja keskenään.

**HUOMAA:** Ilmoitettua tärinäpäästöarvoa voidaan käyttää myös altistumisen alustavaan arviointiin.

**VAROITUS:** Työkalun käytön aikana mitattu todellinen tärinäpäästöarvo voi poiketa ilmoitetusta tärinäpäästöarvosta työkalun käyttötavan mukaan.

**VAROITUS:** Selvitä käyttäjän suojaamiseksi tarvittavat varoimet todellisissa käyttöolosuhteissa tapahtuvan arvioidun altistumisen mukaisesti (ottaen huomioon käyttöjako kokonaisuudessaan, myös jaksot, joiden aikana työkalu on sammutettuna tai käytössä käynnillä).

### EY-vaatimustenmukaisuusvakuutus

*Koskee vain Euroopan maita*

EU-vaatimustenmukaisuusvakuutus on liitetty tähän käyttöoppaaseen.

## TURVAVAROITUKSET

### Sähkötyökalujen käyttöä koskevat yleiset varoitukset

**VAROITUS:** Lue huolellisesti kaikki turvallisuusvaroitukset ja käyttöohjeet. Jos varoitusten ja ohjeiden noudattaminen laiminlyödään, seurauksena voi olla sähköiskku, tulipalo ja/tai vakava vammautuminen.

### Säilytä varoitukset ja ohjeet tulevaa käyttöä varten.

Varoituksissa käytettävällä termillä "sähkötyökalu" tarkoitetaan joko verkkovirtaa käyttävää (johdollista) työkalua tai akkukäyttöistä (johdotonta) työkalua.



## Langattoman kipsilevysahan turvaohjeet

1. Kun suoritat toimenpidettä, jossa leikkaus-työkalu voi joutua kosketukseen piilossa olevien johtojen kanssa, pidä kiinni työkalusta sen eristetyin tarttumispinnan kohdalta. Jos leikkaus-työkalu joutuu kosketukseen jännitteisen johdon kanssa, jännite voi siirtyä työkalun sähköä johtaviin metalliosiin ja aiheuttaa käyttäjälle sähköiskun.
2. Kiinnitä ja tue työkalua tukevalle alustalle puristimilla tai muulla käytännöllisellä tavalla. Työn pitäminen kädessä tai vartaloa vasten tekee työn epävakaaaksi ja voi johtaa hallinnan menetykseen.
3. Käytä aina suojalaseja. Tavalliset silmä- tai aurinkolasit EIVÄT ole suojalaseja.
4. Vältä nauhojen sahaamista. Tarkasta, onko työkalupaleessa nauvoja ja poista ne ennen käyttöä.
5. Älä leikkaa ylisuuria työkalupaleita.
6. Tarkista ennen leikkaamista, että työkalupaleen takana on tarpeeksi tilaa, jotta terä ei osu lattiaan, työpöytään tai vastaavaan.
7. Ota työkalusta luja ote.
8. Varmista, että terä ei kosketa työkalupaleeta, ennen kuin painat kytkintä.
9. Pidä kädet poissa liikkuvien osien luota.
10. Älä jätä työkalua käymään itseksensä. Käytä laitetta vain silloin, kun pidät sitä kädessä.
11. Sammuta laite ja odota, että terä pysähtyy täysin, aina ennen kuin irrotat terän työkalupaleesta.
12. Älä kosketa terää tai työkalupaleita välittömästi käytön jälkeen, sillä ne voivat olla erittäin kuumia ja saattavat polttaa ihoa.
13. Älä käytä työkalua tarpeettomasti kuormittamattomana.
14. Jotkin materiaalit sisältävät kemikaaleja, jotka voivat olla myrkyllisiä. Vältä pölyn sisäänhengittämistä ja ihokosketusta. Noudata materiaalin toimittajan turvaohjeita.
15. Käytä aina työstettävän materiaalin ja käyttö-tarkoituksen mukaan valittua pölynaamarial/hengityssuojainta.

## SÄILYTÄ NÄMÄ OHJEET.

**VAROITUS:** ÄLÄ anna työkalun helpokäyttöisyyden (toistuvan käytön aikaansaama) johtaa sinua väärään turvallisuuteen tunteeseen niin, että laiminlyöt työkalun turvaohjeiden noudattamisen. VÄÄRINKÄYTTÖ tai tässä käyttöohjeessa ilmoitettujen turvämääräysten laiminlyönti voi aiheuttaa vakavia henkilövahinkoja.

## Akkupakettia koskevia tärkeitä turvaohjeita

1. Ennen akun käyttöönottoa tutustu kaikkiin laturissa (1), akussa (2) ja akkukäyttöisessä tuotteessa (3) oleviin varoitusteksteihin.
2. Älä pura akku.

3. Jos akun toiminta-aika lyhenee merkittävästi, lopeta akun käyttö. Seurauksena voi olla ylikuumeneminen, palovammoja tai jopa räjähdys.
4. Jos akkuestettä pääsee silmiin, huuhtele puhtaalla vedellä ja hakeudu välittömästi lääkärin hoitoon. Akkueste voi aiheuttaa näön menetyksen.
5. Älä oikosulje akku.
  - (1) Älä koske akun napoihin millään sähköä johtavalla materiaalilla.
  - (2) Vältä akun oikosulkemista äläkä säilytä akku yhdessä muiden metalliesineiden, kuten nauhojen, kolikoiden ja niin edelleen kanssa.
  - (3) Älä aseta akku alttiiksi vedelle tai sateelle.Oikosulku voi aiheuttaa virtapiikin, ylikuumentumista, palovammoja tai laitteen rikkoontumisen.
6. Älä säilytä työkalua ja akku paikassa, jossa lämpötila voi nousta 50 °C:een tai sitäkin korkeammaksi.
7. Älä hävitä akku polttamalla, vaikka se olisi pahoin vaurioitunut tai täysin loppuun kulunut. Avotuli voi aiheuttaa akun räjähtämisen.
8. Varo kolhimasta tai pudottamasta akku.
9. Älä käytä viallista akku.
10. Sisältyviä litium-ioni-akkuja koskevat vaarallisten aineiden lainsäädännön vaatimukset. Esimerkiksi kolmansien osapuolten huolintaliikkeiden tulee kaupallisissa kuljetuksissa noudattaa pakkaamista ja merkintöjä koskevia erityisvaatimuksia. Lähetettävän tuotteen valmistelu edellyttää vaarallisten aineiden asiantuntijan neuvontaa. Huomioi myös mahdollisesti yksityiskohtaisemmat kansalliset määräykset. Akun avoimet liittimet tulee suojata teipillä tai suojuksella ja pakkaaminen tulee tehdä niin, ettei akku voi liikkua pakkauksessa.
11. Hävitä akku paikallisten määräysten mukaisesti.

## SÄILYTÄ NÄMÄ OHJEET.

**HUOMIO:** Käytä vain alkuperäisiä Makita-akkuja. Muiden kuin aitojen Makita-akkujen, tai mahdollisesti muutettujen akkujen käyttö voi johtaa akun murtumiseen ja aiheuttaa tulipaloja, henkilö- ja omaisuusvahinkoja. Se mitätöi myös Makita-työkalun ja -laturin Makita-takuun.

## Vihjeitä akun käyttöön pidentämiseksi

1. Lataa akku ennen kuin se purkautuu täysin. Lopeta aina työkalun käyttö ja lataa akku, jos huomaat työkalun tehon vähenevän.
2. Älä koskaan lataa uudestaan täysin ladattua akku. Ylilataaminen lyhentää akun käyttöikää.
3. Lataa akku huoneen lämpötilassa välillä 10 °C - 40 °C. Anna kuuman akun jäähtyä ennen lataamista.
4. Lataa akkupaketti, jos et käytä sitä pitkään aikaan (yli kuusi kuukautta).

# TOIMINTOJEN KUVAUS

**⚠️HUOMIO:** Varmista aina ennen säätöjä ja tarkastuksia, että työkalu on sammutettu ja akkupaketti irrotettu.

## Akun asentaminen tai irrottaminen

**⚠️HUOMIO:** Sammuta työkalu aina ennen akun kiinnittämistä tai irrottamista.

**⚠️HUOMIO:** Pidä työkalusta ja akusta tiukasti kiinni, kun irrotat tai kiinnität akkua. Jos akkupaketti tai työkalu putoaa, ne voivat vaurioitua tai aiheuttaa tapaturman.

- **Kuva1:** 1. Punainen merkivalo 2. Painike 3. Akkupaketti

Irrota akku painamalla akun etupuolella olevaa painiketta ja vetämällä akku ulos työkalusta.

Akku liitetään sovittamalla akun kieleke rungon uraan ja työntämällä se sitten paikoilleen. Työnnä akku pohjaan asti niin, että kuulet sen napsahtavan paikoilleen. Jos painikkeen yläpuolella näkyy punainen ilmaisin, akku ei ole lukkiutunut täysin paikoilleen.

**⚠️HUOMIO:** Työnnä akku aina pohjaan asti, niin että punainen ilmaisin ei enää näy. Jos akku ei ole kunnolla paikallaan, se voi pudota työkalusta ja aiheuttaa vammoja joko sinulle tai sivullisille.

**⚠️HUOMIO:** Älä käytä voimaa akun asennuksessa. Jos akku ei liu'u paikalleen helposti, se on väärässä asennossa.

## Akun suojausjärjestelmä

### Litium-ioni-akku tähtimerkinnällä

- **Kuva2:** 1. Tähtimerkintä

Tähtimerkinnällä merkityssä litium-ioniakussa on suojausjärjestelmä. Tämä järjestelmä pidentää akun käyttöikää katkaisemalla automaattisesti työkalun virran. Työkalu pysähtyy automaattisesti kesken käytön, jos työkalussa tai akussa ilmenee jokin seuraavista tilanteista:

#### Ylikuormitus:

Työkalua käytetään tavalla, joka saa sen kuluttamaan epätavallisen paljon virtaa.

Katkaise tässä tilanteessa työkalusta virta ja lopeta ylikuormitustilan aiheuttanut käyttö. Käynnistä sitten työkalu uudelleen kytkemällä siihen virta.

Jos työkalu ei käynnisty, akku on ylikuumentunut. Anna tässä tilanteessa akun jäähtyä, ennen kuin kytket työkaluun virran uudelleen.




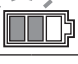

#### Aalhainen akun jännite:

Akun varaus ei riitä työkalun käyttämiseen. Irrota silloin akku ja lataa se.

## Akun jäljellä olevan varaustason ilmaisin

- **Kuva3:** 1. Akun merkivalo 2. Tarkistuspainike

Painamalla tarkistuspainiketta saat näkyviin akun varaustason. Kumpikin akun ilmaisin vastaa yhtä akkua.












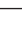




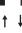

Akun merkivalon tila		Akussa jäljellä oleva varaus
 Päällä	 Pois päältä	
		50 % tai enemmän
		20 % – 50 %
		Vähemmän kuin 20 %

## Akun jäljellä olevan varaustason ilmaisin

*Vain akkupaketeille, joiden mallinumeron lopussa on "B"*

- **Kuva4:** 1. Merkivalot 2. Tarkistuspainike

Painamalla tarkistuspainiketta saat näkyviin akun jäljellä olevan varausten. Merkivalot palavat muutaman sekunnin ajan.

Merkivalot			Akussa jäljellä olevan varaus
 Palaa	 Pois päältä	 Vilkuu	
			75% - 100%
			50% - 75%
			25% - 50%
			0% - 25%
			Lataa akku.
			Akussa on saattanut olla toimintahäiriö.
			



**HUOMAA:** Ilmoitettu varaustaso voi erota hieman todellisesta varaustasosta sen mukaan, millaisissa oloissa ja missä lämpötilassa laitetta käytetään.

## Kytkimen käyttäminen

- **Kuva5:** 1. Liipaisinkytkin

**⚠️HUOMIO:** Tarkista aina ennen akkupaketin asettamista työkaluun, että liipaisinkytkin kytketty oikein ja palaa "OFF"-asentoon, kun se vapautetaan.

Käynnistä työkalu painamalla liipaisinkytkintä. Mitä voimakkaammin liipaisinkytkintä painetaan, sitä nopeammin työkalu pyörii. Voit pysäyttää työkalun vapauttamalla liipaisimen.

Liipaisin voidaan lukita, jotta sitä ei vedetä vahingossa. Liipaisin voidaan lukita painamalla painiketta  -merkin puolelta. Liipaisimen lukitus voidaan vapauttaa painamalla painiketta  -merkin puolelta.

► **Kuva6:** 1. Lukituspainike

**▲HUOMIO:** Lukitse työkalu aina, kun kannat laitetta tai keskeytät työsi.

## Leikkaussyvyyden säätäminen

Leikkaussyvyys vastaa terän asteikkoa. Löysää teränpidikkeen ruuvia kunnes terä voi liikkua vapaasti. Kohdistista terän asteikko teränpidikkeen alalinjan kanssa. Kiristä sitten ruuvit.

► **Kuva7:** 1. Leikkaussyvyys 2. Teränpidikkeen alalinja 3. Terän asteikko

Suurin leikkaussyvyys riippuu sahanterän tyyppistä. Käytä aina sahanterää, joka soveltuu työstettävän työkaluleen materiaaliin.

Sahanterän tyyppi	Suurin leikkaussyvyys
Kipsilevylle	30 mm
Puulle	15 mm

## LED-valo

**▲HUOMIO:** Älä katso suoraan lamppuun tai valonlähteeseen.

Lamppu syytty, kun vedät liipaisinkytkintä. Lamppu palaa niin kauan kuin liipaisinkytkintä vedetään. Lamppu sammuu noin 10 sekunnin kuluttua liipaisimen vapauttamisesta.

► **Kuva8:** 1. Lamppu

**HUOMAA:** Pyyhi lika pois linssistä kuivalla liinalla. Varo naarmuttamasta linssiä, ettei valoteho laske.

## KOKOONPANO

**▲HUOMIO:** Varmista aina ennen mitään työkalulle tehtäviä toimenpiteitä, että se on sammutettu ja akku irrotettu.

## Pölysuojuksen irrotus

**▲HUOMIO:** Älä koskaan käytä työkalua ilman pölynkeräintä. Pöly voi mennä silmiin ja aiheuttaa silmävamman.

Pidä työkalun kahvasta ja vedä työkalun kielekkeet taakse poistaaksesi pölynkeräimen. Vedä kielekkeitä molemmilta puolilta samanaikaisesti.

► **Kuva9:** 1. Kieleke

Kohdistista asentaessasi pölynkeräimen reuna uran pohjaan.

► **Kuva10:** 1. Ura

## Kipsilevysahan terän vaihto

**▲HUOMIO:** Poista aina terään ja/tai terän kannattimeen tarttuneet lastut tai vieraat aineet. Tämän laiminlyönti saattaa aiheuttaa terän riittämättömän kiristyksen, mikä voi aiheuttaa vakavia vammoja.

**▲HUOMIO:** Älä kosketa terää tai työkalupäätä heti käytön jälkeen. Ne voivat olla hyvin kuumia ja aiheuttaa palovammoja.

**▲HUOMIO:** Varmista, että terä on asianmukaisesti varmistettu. Terän riittämätön kiristäminen voi aiheuttaa terän rikkoutumisen tai vakavia henkilövammoja.

1. Pölynkeräimen irrottaminen.
2. Irrota teränpidikkeen pultit kuusioavaimella.  
► **Kuva11:** 1. Pultit 2. Teränpidike 3. Terä
3. Aseta uusi terä kuten kuvassa. Varmista, että terän kaareva reuna osoittaa eteenpäin. Sovita teränpidikkeen uloke terän aukkoon.  
► **Kuva12:** 1. Aukko 2. Ulokeosa (vastakkaisella puolella)
4. Säädä sahaussyvyys ja kiristä sitten pultit.
5. Pölynkeräimen asentaminen.

## Katkoterän asentaminen

**▲HUOMIO:** Käytä aina katkoterälle sopivaa pituutta, leveyttä, ja paksuutta. Sopimattomasti asennettu katkoterä voi mennä rikki. Katkennut terä voi sinkoutua pois ja aiheuttaa henkilövahinkoja.

Tässä työkalussa voidaan käyttää myös katkoteriä. Käytä 3 segmenttiä 18 mm:n levyisestä katkoterästä, jonka paksuus on 0,5 mm. Suurin leikkaussyvyys on 12,5 mm:n kipsilevylle leikattaessa.

► **Kuva13:** 1. Katkoterän kolme segmenttiä

1. Löysää teränpidikkeen ruuvit. Käännä teränpidike niin, että sen uloke on ulospäin.
2. Aseta katkoterä niin, että terävä reuna osoittaa eteenpäin.
3. Varmista katkoterän kiinnitys kuvan mukaisesti kohdassa, johon ensimmäisen segmentin pää tulee teränpidikkeen reunaan.  
► **Kuva14:** 1. Teränpidike 2. Katkoterän ensimmäisen segmentin pää 3. Sallittu leikkuupituus

## Terän korkin kiinnitys

**▲HUOMIO:** Kiinnitä aina terä korkki, kun työkalua ei käytetä. Paljas terä voi aiheuttaa henkilövahinkoja tai itse terä voi vaurioitua.

Aseta terän korkki terän läpi kunnes koukku tarttuu rungon suojukseen. Huomaa terän korkin suunta, kun asetat sitä; leveämpi koukku tulee etupuolelle. Kun irrotat terän korkkia, nosta se samalla puristaen molemmilta puolilta.

► **Kuva15:** 1. Terän korkki 2. Koukku

Aseta terän kansi käytön aikana kuvan mukaisesti pohjassa olevaan koukkuun, kunnes se napsahtaa.

► **Kuva16:** 1. Terän korkki 2. Koukku

## Kuusioavaimen varastointi

Säilytä kuusioavainta kuvan osoittamassa paikassa, ettei se pääse katoamaan.

► **Kuva17:** 1. Kuusioavain

## Pölynimurin kytkeminen

Liitä Makita-pölynimuri puhdistusta varten. Poista kumikupu pölynkeräimestä ja kiinnitä pölynimurin letkun suutin pölynkeräimeen.

► **Kuva18:** 1. Pölynkeräin 2. Kumisuojus  
3. Pölynimurin letku

## TYÖSKENTELY

**▲HUOMIO:** Ota työkalusta luja ote.

**▲HUOMIO:** Pidä aina pohja samassa tasossa työkappaleen kanssa leikkauksen aikana. Älä koskaan tee kaarevia leikkauksia. Tämän laiminlyönti voi aiheuttaa terän rikkoutumisen, joka aiheuttaa vakavan vamman.

V-lovi ja kupera osa työkalun rungon suojuksessa osoittavat terän asennon. Tarkasta aina terän asento leikkattaessa.

### Työkalun rungon suojus

► **Kuva19:** 1. V-lovi 2. Kupera osa 3. Terä

**HUOMAA:** On suositeltavaa tehdä työkappaleeseen etukäteen leikkausviivat tarkan leikkaamisen varmistamiseksi.

1. Aseta terän kärki lähtöviivalle. Kallista työkalua niin, että pohjan etureuna koskettaa työkappaletta. Kohdistista V-loven pohja leikkauslinjan etureunan kanssa.  
► **Kuva20**
2. Vedä liipaisinta hitaasti ilman, että terä koskettaa työkappaletta. Kun terän saavuttaa täyden nopeuden, työnnä työkalu työkappaletta vasten. Kun terä lävistää työkappaleen, anna rungon koko suojuksen koskettaa työkappaleen pintaa.  
► **Kuva21**
3. Liikuta työkalua suoraan eteenpäin kunnes leikkaus päättyy.

## KUNNOSSAPITO

**▲HUOMIO:** Varmista aina ennen tarkastusta tai huoltoa, että työkalu on sammutettu ja akku irrotettu.

**HUOMAUTUS:** Älä koskaan käytä bensiiniä, ohenteita, alkoholia tai tms. aineita. Muutoin pinta voi halkeilla tai sen värit ja muoto voivat muuttua. Muutoin laitteeseen voi tulla värjäytyimiä, muodon vääristymiä tai halkeamia.

## Rungonsuojuksen puhdistaminen

Puhdista leikkauslastut ja kertynyt pöly rungonsuojuksesta. Nosta rungonsuojusta irrottaessa samalla vetäen koukkuu takaosassa. Asennettaessa tee toimenpide käänteisessä järjestyksessä.

► **Kuva22:** 1. Rungonsuojus 2. Koukku

**▲HUOMIO:** Kiinnitä huomiota terän kärkeen ja leikkauslastuihin irrottaessasi rungonsuojusta.

**HUOMAUTUS:** Suorita puhdistus säännöllisesti. Likainen rungonsuojus voi vaurioittaa tai sotkea työtasoa.

Tuotteen TURVALLISUUDEN ja LUOTETTAVUUDEN takaamiseksi korjaukset, muut huoltotyöt ja säädöt on teetettävä Makitan valtuutetussa huoltopisteessä Makitan varaosia käyttäen.

## LISÄVARUSTEET

**▲HUOMIO:** Seuraavia lisävarusteita tai laitteita suositellaan käytettäväksi tässä ohjeessa kuvatun Makita-työkalun kanssa. Muiden lisävarusteiden tai laitteiden käyttö voi aiheuttaa henkilövahinkoja. Käytä lisävarusteita ja -laitteita vain niiden käyttötarkoituksen mukaisesti.

Jos tarvitset apua tai yksityiskohtaisempia tietoja seuraavista lisävarusteista, ota yhteys paikalliseen Makitan huoltoon.

- Kipsilevysahanterä
- Puusahanterä
- Pölylokerö
- Pölynkeräin
- Kuusioavain
- Koukku
- Aito Makitan akku ja laturi

**HUOMAA:** Jotkin luettelossa mainitut varusteet voivat sisältyä työkalun toimitukseen vakiovarusteina. Ne voivat vaihdella maittain.

## SPECIFIKĀCIJAS

<b>Modelis:</b>		<b>DSD180</b>	
Gājienu garums		6 mm	
Gājienu skaits minūtē		0 - 6 000 min <sup>-1</sup>	
Maksimālā griešanas jauda	Ģipškartons	30 mm	
	Koks	15 mm	
Nominālais spriegums		Līdzstrāva 18 V	
Standarta akumulatora kasetnes		BL1815N, BL1820, BL1820B	BL1830, BL1830B, BL1840, BL1840B, BL1850, BL1850B, BL1860B
Kopējais garums		258 mm	263 mm
Tīrsvars		1,7 kg	1,9 kg

- Nepārtrauktās izpētes un izstrādes programmas dēļ šeit uzrādītās specifikācijas var tikt mainītas bez brīdinājuma.
- Specifikācijas un akumulatora kasetne var atšķirties dažādās valstīs.
- Svārs ar akumulatora kasetni saskaņā ar EPTA-Procedure 01/2003

### Paredzētā lietošana

Šis darbarīks paredzēts ģipškartona izzāģēšanai iegremdējot. Ir iespējams griezt arī koku, uzstādot piemērotu zāģa asmeni.

### Trokšņa līmenis

Tipiskais A svērtais trokšņa līmenis noteikts saskaņā ar

EN60745-2-11:

Skaņas spiediena līmeni ( $L_{pA}$ ): 79 dB (A)

Mainīgums (K): 3 dB (A)

Darbības laikā trokšņa līmenis var pārsniegt 80 dB (A).

**▲BRĪDINĀJUMS:** Lietojiet ausu aizsargus.

### Vibrācija

Vibrācijas kopējā vērtība (trīsas vektora summa)

noteikta atbilstoši EN60745-2-11:

Darba režīms: ģipškartona zāģēšana (biezums 30 mm)

Vibrācijas izmēte ( $a_{h1}$ ): 2,5 m/s<sup>2</sup>

Mainīgums (K): 1,5 m/s<sup>2</sup>

Darba režīms: skaidu plāksnes zāģēšana (biezums 15 mm)

Vibrācijas izmēte ( $a_{h1}$ ): 5,0 m/s<sup>2</sup>

Mainīgums (K): 1,5 m/s<sup>2</sup>

**PIEZĪME:** Paziņotā vibrācijas emisijas vērtība noteikta atbilstoši standarta pārbaudes metodei un to var izmantot, lai salīdzinātu vienu darbarīku ar citu.

**PIEZĪME:** Paziņoto vibrācijas emisijas vērtību arī var izmantot iedarbības sākotnējā novērtējumā.

**▲BRĪDINĀJUMS:** Reāli lietojot elektrisko darbarīku, vibrācijas emisija var atšķirties no paziņotās emisijas vērtības atkarībā no darbarīka izmantošanas veida.

**▲BRĪDINĀJUMS:** Lai aizsargātu lietotāju, nosakiet drošības pasākumus, kas pamatoti ar iedarbību reālos darba apstākļos (ņemot vērā visus ekspluatācijas cikla posmus, piemēram, laiku, kamēr darbarīks ir izslēgts un kad darbojas tukšgaitā, kā arī palaišanas laiku).

### EK atbilstības deklarācija

*Tikai Eiropas valstīm*

EK atbilstības deklarācija šajā lietošanas rokasgrāmatā ir iekļauta kā A pielikums.

## DROŠĪBAS BRĪDINĀJUMI

### Vispārīgi elektrisko darbarīku drošības brīdinājumi

**▲BRĪDINĀJUMS:** Izlasiet visus drošības brīdinājumus un visus norādījumus. Brīdinājumu un norādījumu neievērošanas gadījumā var rasties elektriskās strāvas trieciens, ugunsgrēks un/vai nopietnas traumas.

### Glabājiet visus brīdinājumus un norādījumus, lai varētu tajos ieskatīties turpmāk.

Termins „elektrisks darbarīks” brīdinājumos attiecas uz tādu elektrisko darbarīku, ko darbina ar elektrību (ar vadu), vai tādu, ko darbina ar akumulatoru (bez vada).

## Drošības brīdinājumi bezvada ģipškartona zāģa lietošanai

1. Strādājot turiet mehānisko darbarīku aiz izolētajām satveršanas virsmām gadījumam, ja griešanas darbarīks varētu saskarties ar neredzamu elektroinstalāciju. Griežinjstrumentam saskaroties ar kabeli zem sprieguma, mehāniskā darbarīka metāla daļas var vadīt spriegumu un radīt operatoram elektrotraumu.
2. Izmantojiet skavas vai citu praktiski piemērojamu paņēmieni, lai nostiprinātu un atbalstītu apstrādājamo materiālu uz stabilas pamatnes. Ja turat materiālu ar roku vai piespiestu pie ķermeņa, tas ir nestabilā stāvoklī, un jūs varat zaudēt kontroli pār to.
3. Vienmēr lietojiet aizsargbrilles. Parastās brilles vai saulesbrilles NAV aizsargbrilles.
4. Negrieziet naglas. Pirms sākt darbu pārbaudiet, vai apstrādājamajā materiālā nav naglu, un izņemiet tās.
5. Negrieziet pārāk lielu apstrādājamo materiālu.
6. Pirms griešanas pārbaudiet, vai starp apstrādājamo materiālu ir pietiekams attālums, lai asmens nepieskartos grīdai, darbapaldam u. c.
7. Darbarīku turiet cieši.
8. Pirms slēdža pārslēgšanas ieslēgtā stāvoklī pierliecinieties, ka asmens nepieskaras apstrādājamajam materiālam.
9. Rokas nedrīkst tuvināt kustīgajām daļām.
10. Darbarīku nedrīkst atstāt ieslēgtu. Darbarīku drīkst darbināt vienīgi, turot rokās.
11. Pirms asmens izņemšanas no apstrādājamā materiāla vienmēr jāizslēdz darbarīks un jānoģaids, līdz asmens pavisam apstājas.
12. Nepieskarities asmenim vai apstrādājamajam materiālam tūlīt pēc darba veikšanas; tie var būt ļoti karsti un apdedzināt ādu.
13. Lieki nedarbiniet darbarīku bez slodzes.
14. Daži materiāli satur ķīmiskas vielas, kas var būt toksiskas. Izvairieties no putekļu ieelpošanas un to nokļūšanas uz ādas. Ievērojiet materiāla piegādātāja drošības datus.
15. Vienmēr izmantojiet materiālam un konkrētam gadījumam piemērotu putekļu masku/respiratoru.

## SAGLABĀJIET ŠOS NORĀDĪJUMUS.

**▲BRĪDINĀJUMS:** NEPIEĻAUJIET to, ka labu iemaņu vai izstrādājuma labas pārzināšanas (darbarīku atkārtoti ekspluatējot) rezultātā vairs stingri neievērojat šī izstrādājuma drošības noteikumus. NEPAREIZI LIETOJOT darbarīku vai neievērojot šajā instrukciju rokasgrāmatā minētos drošības noteikumus, var tikt gūtas smagas traumas.

## Svarīgi drošības norādījumi par akumulatora kasetni

1. Pirms akumulatora lietošanas izlasiet visus norādījumus un brīdinājumus, kuri attiecas uz (1) akumulatora lādētāju, (2) akumulatoru un (3) ierīci, kurā tiek izmantots akumulators.
2. Neizjauciet akumulatoru.
3. Ja akumulatora darbības laiks kļūva ievērojami īsāks, nekavējoties pārtrauciet to izmantot. Citādi, tas var izraisīt pārkarsējumu, uzliesmojumu vai pat sprādzienu.
4. Ja elektrolīts nonāk acīs, izskalojiet tās ar tīru ūdens un nekavējoties griezieties pie ārsta. Tas var izraisīt redzes zaudēšanu.
5. Neradiet īssavienojumu akumulatora kasetnē:
  - (1) Nepieskarities spaiļiem ar elektrību vadošiem materiāliem.
  - (2) Neuzglabājiēt akumulatoru kasetni kopā ar citiem metāla priekšmetiem, tādiem kā naglas, monētas u. c.
  - (3) Nepakļaujiēt akumulatora kasetni ūdens vai lietus iedarbībai.Akumulatora īssavienojums var radīt spēcīgu strāvas plūsmu, pārkaršanu, uzliesmojumu un pat sabojāt akumulatoru.
6. Neglabājiēt darbarīku un akumulatora kasetni vietās, kur temperatūra var sasniegt vai pārsniegt 50 °C (122 °F).
7. Nededziniēt akumulatora kasetni, pat ja tā ir stipri bojāta vai pilnībā nolietota. Akumulatora kasetne ugunī var eksplodēt.
8. Uzmaniēties, lai neļautu akumulatoram nokrist un nepakļautu to sitienam.
9. Neizmantojiet bojātu akumulatoru.
10. Uz izmantotajiem litiņa jonu akumulatoriem attiecas likumdošanas prasības par bīstamiem izstrādājumiem.

Komerציālā transportēšanā, ko veic, piemēram, trešās puses, transporta uzņēmumi, jāievēro uz iesaiņojuma un marķējuma norādītās īpašās prasības.

Lai izstrādājumu sagatavotu nosūtīšanai, jāpasaziņās ar bīstamo materiālu speciālistu. Ievērojiet arī citus attiecināmos valsts normatīvus.

Vaļējus kontaktus nesedziēt ar līmītiem vai citādi pārklājiēt, bet akumulatoru iesaiņojiēt tā, lai sāinītas nevarētu izkustēties.
11. Ievērojiet vietējos noteikumus par akumulatora likvidēšanu.

## SAGLABĀJIET ŠOS NORĀDĪJUMUS.

**▲UZMANĪBU:** Lietojiet tikai oriģinālos Makita akumulatorus. Ja lietojat neoriģinālus Makita akumulatorus vai pārveidotus akumulatorus, tie var uzsprāgt un izraisīt aizdegšanos, traumas un materiālos zaudējumus. Tīks anulēta arī Makita darbarīka un lādētāja garantija.

## Ieteikumi akumulatora kalpošanas laika pagarināšanai

1. Uzlādējiet akumulatora kasetni, pirms tā ir pilnībā izlādējusies. Vienmēr, kad ievērojat, ka darbarīka darba jauda zudusi, apturiet darbarīku un uzlādējiet akumulatora kasetni.
2. Nekad neuzlādējiet pilnībā uzlādētu akumulatora kasetni. Pārmērīga uzlāde saīsina akumulatora kalpošanas laiku.
3. Uzlādējiet akumulatora kasetni istabas temperatūrā 10 °C - 40 °C. Karstai akumulatora kasetnei pirms uzlādes ļaujiet atdzist.
4. Uzlādējiet litija jonu akumulatora kasetni, ja to ilgstoši nelietosit (vairāk nekā sešus mēnešus).

## FUNKCIJU APRAKSTS

**⚠UZMANĪBU:** Pirms darbarīka regulēšanas vai tā darbības pārbaudes vienmēr pārliecinieties, ka darbarīks ir izslēgts un akumulatora kasetne ir izņemta.

### Akumulatora kasetnes uzstādīšana un izņemšana

**⚠UZMANĪBU:** Vienmēr pirms akumulatora kasetnes uzstādīšanas vai noņemšanas izslēdziet darbarīku.

**⚠UZMANĪBU:** Uzstādot vai izņemot akumulatora kasetni, darbarīku un akumulatora kasetni turiet cieši. Ja darbarīku un akumulatora kasetni netur cieši, tie var izkrist no rokām un radīt bojājumus darbarīkam un akumulatora kasetnei, kā arī izraisīt ievainojumus.

- **Att.1:** 1. Sarkanās krāsas indikators 2. Poga 3. Akumulatora kasetne

Lai izņemtu akumulatora kasetni, izvelciet to no darbarīka, pārbīdot kasetnes priekšpusē esošo pogu.

Lai uzstādītu akumulatora kasetni, salāgojiet mēlīti uz akumulatora kasetnes ar rievu ietvarā un iebīdiet to vietā. Ievietojiet to līdz galam, līdz tā ar klikšķi nofiksējas. Ja pogas augšējā daļā redzams sarkanās krāsas indikators, tas nozīmē, ka tā nav pilnīgi fiksēta.

**⚠UZMANĪBU:** Vienmēr ievietojiet akumulatora kasetni tā, lai sarkanais indikators nebūtu redzams. Pretējā gadījumā tā var nejauši izkrist no darbarīka un izraisīt jums vai apkārtējiem traumas.

**⚠UZMANĪBU:** Neievietojiet akumulatora kasetni ar spēku. Ja kasetne neslīd ietvarā viegli, tā nav pareizi ielikta.

## Akumulatora aizsardzības sistēma

### Litija jonu akumulators ar zvaigznes emblēmu

- **Att.2:** 1. Zvaigznes emblēma

Litija jonu akumulatori ar zvaigznes emblēmu ir aprīkoti ar aizsardzības sistēmu. Šī sistēma automātiski izslēdz darbarīka barošanu, lai paildzinātu akumulatora darbmūžu.

Darbarīka darbība tiks automātiski apturēta, ja darbarīku un/vai akumulatoru pakļaus kādam no tālāk minētajiem apstākļiem:

#### Pārslodze:

Darbarīka ekspluatācijas laikā lieto tādā veidā, ka tas saista pārmērīgu strāvu.

Šādā gadījumā izslēdziet darbarīku un pārtrauciet darbarīka pārslodzi izraisījušo darbu. Tad ieslēdziet darbarīku, lai atsāktu darbu.


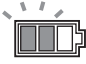
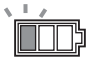
Ja darbarīks neieslēdzas, akumulators ir pārkarsis. Šādā gadījumā ļaujiet akumulatoram atdzist pirms atkārtotas darbarīka ieslēgšanas.

#### Zems akumulatora spriegums:

Akumulatora atlikusī jauda ir pārāk zema, un darbarīks nedarbosies. Šādā gadījumā noņemiet akumulatoru un uzlādējiet.

### Atlikušās akumulatora jaudas indikators

- **Att.3:** 1. Akumulatora indikators 2. Pārbaudes poga  
Nospiediet pārbaudes pogu, lai pārbaudītu akumulatora atlikušo jaudu. Akumulatora indikatori atbilst katram akumulatoram.

Akumulatora indikatora stāvoklis		Atlikusī akumulatora jauda
ieslēgts	izslēgts	
		50% vai vairāk
		20% – 50%
		Mazāk par 20%

### Atlikušās akumulatora jaudas indikators

**Tikai akumulatoru kasetnēm, kuru modeļa numura beigās ir burts „B”**

- **Att.4:** 1. Indikatora lampas 2. Pārbaudes poga

Nospiediet akumulatora kasetnes pārbaudes pogu, lai pārbaudītu akumulatora atlikušo uzlādes līmeni. Indikatoru iedegsies uz dažām sekundēm.



Indikatora lampas			Atlikusi jauda
lededzis	Izslēgts	Mirgo	
			No 75% līdz 100%
			No 50% līdz 75%
			No 25% līdz 50%
			No 0% līdz 25%
			Uzlādējiet akumulatoru.
			Iespējama akumulatora kļūme.

**PIEZĪME:** Reālā jauda var nedaudz atšķirties no norādītās atkarībā no lietošanas apstākļiem un apkārtējās temperatūras.

## Slēdža darbība

► **Att.5:** 1. Slēdža mēlīte

**UZMANĪBU:** Pirms akumulatora kasetnes uzstādīšanas darbarīkā vienmēr pārbaudiet, vai slēdža mēlīte darbojas pareizi un pēc atlaišanas atgriežas stāvoklī „OFF” (Izslēgts).

Lai ieslēgtu darbarīku, pavelciet slēdža mēlīti. Darbarīka ātrums palielinās, palielinoties spiedienam uz slēdža mēlīti. Lai darbarīku apturētu, atlaidiet slēdža mēlīti.

Mēlīti ir iespējams bloķēt, lai nepieļautu tās nejaušu nospiešanu. Lai bloķētu mēlīti, nospiediet pogas pusi, kas apzīmēta ar . Lai atbloķētu mēlīti, nospiediet pogas pusi, kas apzīmēta ar .

► **Att.6:** 1. Bloķēšanas pogā

**UZMANĪBU:** Vienmēr izslēdziet darbarīku, kad to pārnēsājat vai beidzat darbu.

## Griezuma dziļuma regulēšana

Griešanas dziļums atbilst mērskalas iedaļām uz asmens. Atlaidiet skrūvi uz asmens turētāja, līdz asmens var brīvi kustēties. Salāgojiet asmens mērskalu ar asmens turētāja apakšējo līniju. Tad pievelciet skrūves.

► **Att.7:** 1. Griešanas dziļums 2. Asmens turētāja apakšējā līnija 3. Asmens mērskala

Maksimālais griešanas dziļums atkarīgs no zāģa asmens veida. Vienmēr izmantojiet tikai materiāla zāģēšanai piemērotu zāģa asmeni.

Zāģa asmens veids	Maks. griešanas dziļums
Ģipškartonam	30 mm
Kokam	15 mm

## Gaismas diožu apgaismojums

**UZMANĪBU:** Neskatieties gaismā, neļaujiet tās avotam iespīdēt acīs.

Nospiediet slēdža mēlīti, lai ieslēgtu lampu. Kamēr slēdža mēlīte ir nospiesta, lampa deg. Aptuveni 10 sekundes pēc mēlītes atlaišanas lampa izslēdzas.

► **Att.8:** 1. Lampa

**PIEZĪME:** Ar sausu lupatīņu notīriet netīrumus no lampas lēcas. Izvairieties saskrāpēt lampas lēcu, jo tādējādi tiek samazināts apgaismojums.

## MONTĀŽA

**UZMANĪBU:** Pirms darbarīka regulēšanas vai apkopes vienmēr pārlicinieties, ka darbarīks ir izslēgts un akumulatora kasetne ir izņemta.

## Putekļu savācēja noņemšana

**UZMANĪBU:** Nekādā gadījumā nelietojiet darbarīku bez putekļu savācēja. Putekļi var iekļūt acīs un izraisīt acu traumu.

Lai noņemtu putekļu savācēju, satveriet darbarīka rokturi un pavelciet atpakaļ darbarīka izcilņus. Noteikti velciet abās pusēs esošos izcilņus vienlaikus.

► **Att.9:** 1. Izcilnis

Uzstādot salāgojiet putekļu savācēja malu ar pamatnes rievu.

► **Att.10:** 1. Rieva

## Ģipškartona zāģa asmens maiņa

**UZMANĪBU:** Vienmēr notīriet skaidas vai netīrumus, kas pieķērušies asmenim un/vai tā turētājam. Citādi asmens var kļūt vajīgs un radīt smagas traumas.

**UZMANĪBU:** Nepieskarieties asmenim vai apstrādājamajam materiālam tūlīt pēc apstrādes. Tie var būt ļoti karsti un apdedzināt ādu.

**UZMANĪBU:** Pārbaudiet, vai asmens ir pareizi nostiprināts. Nepietiekama asmens nostiprināšana var izraisīt asmens salūšanu vai smagu traumu.

1. Noņemiet putekļu savācēju.  
2. Ar sešstūra uzgriežņu atslēgu izskrūvējiet asmens turētāja skrūves.

► **Att.11:** 1. Skrūves 2. Asmens turētājs 3. Asmens

3. Uzstādiet jaunu asmeni, kā parādīts attēlā. Pārbaudiet, vai asmens izlietā mala ir vērsta uz priekšu. Ievietojiet asmens turētāja izvīzījumu asmens atverē.

► **Att.12:** 1. Atvere 2. Izvīzītā daļa (pretējā puse)

4. Noregulējiet griešanas dziļumu, tad pievelciet skrūves.

5. Piestipriniet putekļu savācēju.



## Aplaužamā naža uzstādīšana

**UZMANĪBU:** Vienmēr uzstādiēt tikai paredzētā garuma, platuma un biezuma aplaužamo nazi. Nepareizi uzstādīts aplaužamais nazis var salūzt. Salūzušais asmens var tikt izsviests un radīt traumu.

Aplaužamo nazi drīkst izmantot arī šajā darbarīkā. Izmantojiet 3 segmentu 18 mm platu un 0,5 mm biezu aplaužamo nazi. Maksimālais griešanas dziļums, zāģējot ģipškartonu, ir 12,5 mm.

► **Att.13:** 1. Trīs aplaužamā naža segmenti

1. Atlaidiet asmens turētāja skrūves. Pagrieziet asmens turētāju tā, lai tā izvirzījums būtu vērstas uz ārū.

2. Ievietojiet aplaužamo nazi tā, lai asā mala būtu vēsta uz priekšu.

3. Nostipriniet aplaužamo nazi vietā, kur pirmā segmenta gals tuvojas asmens turētāja malai, kā parādīts.

► **Att.14:** 1. Asmens turētājs 2. Pirmais aplaužamā naža segments 3. Pieļaujama griezumam garums

## Asmens uzmavas piestiprināšana

**UZMANĪBU:** Ja darbarīku nelietojat, vienmēr uzlieciet asmens uzmavu. Kails asmens var radīt traumu vai paša asmens bojājumus.

Bīdiēt asmens uzmavu cauri asmenim, līdz āķis ieķeras pamatnes pārsegā. Piestiprinot uzmavu, ievērojiet asmens uzmavas virzienu; platākajam āķim jāatrodas priekšpusē. Noņemot asmens uzmavu, celiet to, vienlaikus saspiežot abas puses.

► **Att.15:** 1. Asmens uzmava 2. Āķis

Darba laikā ievietojiet asmens uzmavu līdz āķim pamatnē, kā parādīts, līdz uzmava fiksējas.

► **Att.16:** 1. Asmens uzmava 2. Āķis

## Sešstūru uzgriežņu atslēgas uzglabāšana

Kad sešstūrveida uzgriežņu atslēga netiek lietota, glabājiet to, kā parādīts, lai atslēgu nepazaudētu.

► **Att.17:** 1. Sešstūru uzgriežņu atslēga

## Putekļsūcēja pievienošana

Lai veiktu darbu tīri, pievienojiet Makita putekļsūcēju. No putekļu savācēja noņemiet gumijas pārsegu un putekļu savācēja uzgalim pievienojiet putekļsūcēja cauruli.

► **Att.18:** 1. Putekļu savācējs 2. Gumijas pārsegs 3. Putekļsūcēja šļūtene

## EKSPLUATĀCIJA

**UZMANĪBU:** Darbarīku turiet cieši.

**UZMANĪBU:** Griešanas laikā vienmēr turiet pamatni cieši pie apstrādājamā materiāla. Nekad neizdarīet liektu griezumu. To darot, asmens var salūzt, radot smagu traumu.

Ķīļa (V) formas robs un izliektā daļa darbarīka pamatnes pārsegā norāda asmens stāvokli jeb novietojumu. Griežot vienmēr pārbaudiet asmens stāvokli.

### Darbarīka pamatnes pārsegs

► **Att.19:** 1. Ķīļa (V) formas robs 2. Izliektā daļa 3. Asmens

**PIEZĪME:** Lai griezumam būtu precīzs, vispirms uz materiāla ieteicams uzzīmēt griezumam līnijas.

1. Novietojiet asmens galu uz sākuma līnijas. Sasveriet darbarīku tā, lai priekšējā pamatnes daļa saskaras ar apstrādājamo materiālu. Salāgojiet ķīļa (V) formas roba apakšdaļu priekšējā malā ar griešanas līniju.  
► **Att.20**

2. Lēni pavelciet mēlīti, neļaujot asmenim saskarties ar apstrādājamo materiālu. Kad asmens sasniedz pilnu ātrumu, spiediet darbarīku pie apstrādājamā materiāla. Kad asmens iegriežas materiālā, nodrošiniet, lai visa pamatnes pārsega virsma saskaras ar apstrādājamo materiālu.  
► **Att.21**

3. Virziet darbarīku taisni uz priekšu, līdz griešana pabeigta.

## APKOPE

**UZMANĪBU:** Pirms darbarīka pārbaudes vai apkopes vienmēr pārliciniet, ka darbarīks ir izslēgts un akumulatora kasetne ir izņemta.

**IEVĒRĪBAI:** Nekad neizmantojiet gāzoliņu, benzīnu, atšķaidītāju, spirtu vai līdzīgus šķidrumus. Tas var radīt izbalēšanu, deformāciju vai plaisas.

## Pamatnes pārsega tīrīšana

Notīriet no pamatnes pārsega sakrājušās skaidas un putekļus. Celiet pamatnes pārsegu, vienlaikus velkot āķi atpakaļ, un noņemiet pārsegu. Uzstādot vieciēt noņemšanas darbības pretējā secībā.

► **Att.22:** 1. Pamatnes pārsegs 2. Āķis

**UZMANĪBU:** Noņemot pamatnes pārsegu, pievērsiet uzmanību asmens galam un skaidām.

**IEVĒRĪBAI:** Regulāri tīriet pamatnes pārsegu. Netīrs pamatnes pārsegs var sabojāt vai saskrāpēt darba virsmu.

Lai saglabātu izstrādājuma DROŠU un UZTICAMU darbību, remontdarbus, apkopi un regulēšanu uzticiet veikt tikai Makita pilnvarotam vai rūpnīcas apkopes centram, un vienmēr izmantojiet tikai Makita rezerves daļas.

# PAPILDU PIEDERUMI

**⚠ UZMANĪBU:** Šādi piederumi un papildierīces tiek ieteiktas lietošanai ar šajā rokasgrāmatā aprakstīto Makita darbarīku. Izmantojot citus piederumus vai papildierīces, var tikt radīta traumu gūšanas bīstamība. Piederumu vai papildierīci izmantojiet tikai paredzētajam mērķim.

Ja jums vajadzīga palīdzība vai precīzāka informācija par šiem piederumiem, vērsieties savā tuvākajā Makita apkopes centrā.

- Ģipškartona zāģa asmens
- Koka zāģa asmens
- Putekļu nodalījums
- Putekļu savācējs
- Sešstūru izgriezēju atslēga
- Āķis
- Makita oriģinālais akumulators un lādētājs

**PIEZĪME:** Daži sarakstā norādītie izstrādājumi var būt iekļauti instrumenta komplektācijā kā standarta piederumi. Tie dažādās valstīs var būt atšķirīgi.

## SPECIFIKACIJOS

<b>Modelis:</b>		<b>DSD180</b>	
Smūgio ilgis		6 mm	
Smūgių per minutę		0–6 000 min <sup>-1</sup>	
Maksimali pjovimo galia	Gipso kartonas	30 mm	
	Mediena	15 mm	
Vardinė įtampa		Nuol. sr. 18 V	
Standartinės akumuliatoriaus kasetės		BL1815N, BL1820, BL1820B	BL1830, BL1830B, BL1840, BL1840B, BL1850, BL1850B, BL1860B
Bendrasis ilgis		258 mm	263 mm
Grynasis svoris		1,7 kg	1,9 kg

- Atliekame tęsinius tyrimus ir nuolatos tobuliname savo gaminius, todėl čia pateikiamos specifikacijos gali būti keičiamos be įspėjimo.
- Įvairiose šalyse specifikacijos ir akumuliatoriaus kasetė gali skirtis.
- Svoris su akumuliatoriaus kasete pagal 2003-01 EPTA procedūrą

## Numatytoji naudojimo paskirtis

Šis įrankis yra skirtas gipso kartonui pjauti. Taip pat galima pjauti medieną, įdėjus tinkamą pjovimo diską.

## Triukšmas

Įprastas triukšmo A lygis, nustatytas pagal EN60745-2-11:

Garso slėgio lygis ( $L_{pA}$ ): 79 dB (A)

Paklaida (K): 3 dB (A)

Dirbant triukšmo lygis gali viršyti 80 dB (A).

**ĮSPĖJIMAS:** Dėvėkite ausų apsaugą.

## Vibracija

Vibracijos bendroji vertė (trიაšio vektoriaus suma)

nustatyta pagal EN60745-2-11 standartą:

Darbo režimas: gipso kartono pjovimas (30 mm storio)

Vibracijos emisija ( $a_{h1}$ ): 2,5 m/s<sup>2</sup>

Paklaida (K): 1,5 m/s<sup>2</sup>

Darbo režimas: medienos drožlių plokštės pjovimas (15 mm storio)

Vibracijos emisija ( $a_{h2}$ ): 5,0 m/s<sup>2</sup>

Paklaida (K): 1,5 m/s<sup>2</sup>

**PASTABA:** Paskelbtasis vibracijos emisijos dydis nustatytas pagal standartinį testavimo metodą ir jį galima naudoti vienam įrankiui palyginti su kitu.

**PASTABA:** Paskelbtasis vibracijos emisijos dydis taip pat gali būti naudojamas preliminariai įvertinti vibracijos poveikį.

**ĮSPĖJIMAS:** Faktiškai naudojant elektrinį įrankį, keliamos vibracijos dydis gali skirtis nuo paskelbtojo dydžio, priklausomai nuo būdų, kuriais yra naudojamas šis įrankis.

**ĮSPĖJIMAS:** Siekdami apsaugoti operatorių, būtina įvertinkite saugos priemones, remdamiesi vibracijos poveikio įvertinimu esant faktinėms naudojimo sąlygoms (atsižvelgdami į visas darbo ciklo dalis, pavyzdžiui, ne tik kiek laiko įrankis veikia, bet ir kiek kartų jis yra išjungiamas bei kai jis veikia be apkravų).

## EB atitikties deklaracija

*Tik Europos šalims*

ES atitikties deklaracija yra pridedama kaip šio instrukcijų vadovo A priedas.

## SAUGOS ĮSPĖJIMAI

## Bendrieji įspėjimai dirbant elektriniais įrankiais

**ĮSPĖJIMAS:** Perskaitykite visus saugos įspėjimus ir visą instrukciją. Nesilaikydami toliau pateiktų įspėjimų ir instrukcijų galite patirti elektros smūgį, gaisrą ir (arba) sunkų sužeidimą.

## Išsaugokite visus įspėjimus ir instrukcijas, kad galėtumėte jas peržiūrėti ateityje.

Terminas „elektrinis įrankis“ pateiktuose įspėjimuose reiškia į maitinimo tinklą jungiamą (laidinį) elektrinį įrankį arba akumuliatoriaus maitinamą (belaidį) elektrinį įrankį.

## Įspėjimai dėl belaidžio gipso kartono pjūklo saugos

1. Atlikdami darbus, kurių metu pjovimo dalys gali paliesti paslėptus laidus, laikykite elektrinį įrankį tik už izoliuotų, laikyti skirtų paviršių. Pjovimo antgaliui prisilietus prie laido, kuriuo teka elektros srovė, neizoliuotos metalinės elektrinio įrankio dalys gali sukelti elektros smūgį ir nutrenkti operatorių.
2. Ruošinį ant stabilios platformos tvirtinkite spaustuvais arba kitais parankiais būdais. Laikant ruošinį rankomis arba prispaudus prie kūno, jis yra nestabilus, todėl galite prarasti jo kontrolę.
3. Visada naudokite apsauginius akinius. Įprastiniai akiniai ar akiniai nuo saulės NĖRA apsauginiai akiniai.
4. Nepjaukite vinių. Prieš dirbdami apžiūrėkite, ar ruošinyje nėra vinių, ir juos ištraukite.
5. Nepjaukite didelių matmenų ruošinio.
6. Prieš įjaudami patikrinkite, ar tarpas po ruošiniu yra pakankamas, kad diskas neįpjautų grindų, darbastalio ir pan.
7. Tvirtai laikykite įrankį.
8. Prieš įjungdami jungiklį, patikrinkite, ar diskas neličia ruošinio.
9. Žiūrėkite, kad rankos būtų kuo toliau nuo judamųjų dalių.
10. Nepalikite veikiančio įrankio. Naudokite įrankį tik laikydami rankomis.
11. Prieš patraukdami diską nuo ruošinio, būtinai išjunkite ir palaukite, kol jis visiškai sustos.
12. Nelieskite disko arba ruošinio iškart po naudojimo; jie gali būti itin karšti ir nudeginti odą.
13. Be reikalo nenaudokite įrankio be apkrovos.
14. Kai kuriose medžiagose yra cheminių medžiagų, kurios gali būti nuodingos. Saugokitės, kad neįkvėptumėte dulkių ir nesiliestumėte oda. Laikykites medžiagų tiekėjo saugos duomenų.
15. Atsižvelgdami į apdirbamą medžiagą ir darbo pobūdį, būtinai užsidėkite kaukę nuo dulkių / respiratorių.

## SAUGOKITE ŠIAS INSTRUKCIJAS.

**▲ ĮSPĖJIMAS:** NELEISKITE, kad patogumas ir gaminio pažinimas (įgyjamas pakartotinai naudojant) susilpnintų griežtą saugos taisyklių, taikytinų šiam gaminiui, laikymąsi. Dėl NETINKAMO NAUDOJIMO arba saugos taisyklių, kurios pateiktos šioje instrukcijoje, nesilaikymo galima rimtai susižeisti.

## Svarbios saugos instrukcijos, taikomos akumulatoriaus kasetei

1. Prieš naudodami akumulatoriaus kasetę, perskaitykite visas instrukcijas ir perspėjimus ant (1) akumuliatorių įkroviklio, (2) akumuliatorių ir (3) akumuliatorių naudojančio gaminio.

2. Neardykite akumulatoriaus kasetės.
3. Jei įrankio darbo laikas žymiai sutrumpėjo, nedelsdami nutraukite darbą su įrankiu. Tai gali kelti perkaitimą, nudegimų ar net sproginimo pavojų.
4. Jei elektrolitas pateko į akis, plaukite jas tyru vandeniu ir nedelsdami kreipkitės į gydytoją. Gali kilti regėjimo praradimo pavojus.
5. Neužtrumpinkite akumulatoriaus kasetės:
  - (1) Nelieskite kontaktų degiomis medžiagomis.
  - (2) Venkite laikyti akumulatoriaus kasetę kartu su kitais metaliniais daiktais, pavyzdžiui, vinimis, monetomis ir pan.
  - (3) Saugokite akumulatoriaus kasetę nuo vandens ir lietaus.
6. Trumpasis jungimas akumuliatoriuje gali sukelti stiprią srovę, perkaitimą, galimus nudegimus ar net akumuliatoriaus gedimą.
7. Nelaikykite įrankio ir akumulatoriaus kasetės vietoje, kur temperatūra gali pasiekti ar viršyti 50 °C.
8. Nedeginkite akumulatoriaus kasetės, net jei yra stipriai pažeista ar visiškai susidėvėjusi. Ugnyje akumulatoriaus kasetę gali sprogti.
9. Saugokite akumuliatorių nuo kritimo ir smūgių.
10. Nenaudokite pažeisto akumulatoriaus.
11. Įdėtos ličio jonų akumuliatoriams taikomi Pavojingų prekių teisės akto reikalavimai. Komercinis transportas, pvz., trečiųjų šalių, prekių vežimo atstovų, turi laikytis specialaus reikalavimo ant pakuočių ir ženkinimo. Norėdami paruošti siūstiną prekę, pasitarkite su pavojingų medžiagų specialistu. Be to, laikykitės galimai išsamesnių nacionalinių reglamentų. Užkljuokite juosta arba padenkite atvirus kontaktus ir supakuokite akumuliatorių taip, kad ji pakuoči nejudėtų.
12. Vadovaukitės vietos įstatymais dėl akumuliatorių išmetimo.

## SAUGOKITE ŠIAS INSTRUKCIJAS.

**▲ PERSPĖJIMAS:** Naudokite tik originalų „Makita“ akumuliatorių. Neoriginalaus „Makita“ arba pakeisto akumulatoriaus naudojimas gali nulemti gaisrą, asmens sužalojimą ir pažeidimą. Tai taip pat panaikina „Makita“ suteikiamą „Makita“ įrankio ir įkroviklio garantiją.

## Patarimai, ką daryti, kad akumuliatoriaus veiktų kuo ilgiau

1. Pakraukite akumulatoriaus kasetę prieš jai visiškai išsikraunant. Visuomet nustokite naudoti įrankį ir pakraukite akumulatoriaus kasetę, kai pastebite, kad įrankio galia sumažėjo.
2. Niekada nekraukite iki galo įkrautas akumulatoriaus kasetės. Perkraunant trumpėja akumulatoriaus eksploatacijos laikas.
3. Akumulatoriaus kasetę kraukite esant kambario temperatūrai 10 - 40 °C. Prieš pradėdami krauti, leiskite įkaitusiai akumulatoriaus kasetei atvėsti.
4. Įkraukite akumulatoriaus kasetę, jei jos nenaudojate ilgą laiką (ilgiau nei šešis mėnesius).

## VEIKIMO APRAŠYMAS

**▲ PERSPĖJIMAS:** Prieš pradėdami reguliuoti arba tikrinti įrankio veikimą, visuomet būtinai išjunkite įrankį ir išimkite akumuliatoriaus kasetę.

### Akumuliatoriaus kasetės uždėjimas ir nuėmimas

**▲ PERSPĖJIMAS:** Prieš įdėdami arba išimdami akumuliatoriaus kasetę, visada išjunkite įrankį.

**▲ PERSPĖJIMAS:** Įdėdami arba išimdami akumuliatoriaus kasetę, tvirtai laikykite įrankį ir akumuliatoriaus kasetę. Jeigu įrankis ir akumuliatoriaus kasetę laikysite netvirtai, jie gali išslysti iš jūsų rankų, todėl įrankis ir akumuliatoriaus kasetė gali būti sugadinti, o naudotojas sužalotas.

► **Pav.1:** 1. Raudonas indikatorius 2. Mygtukas 3. Akumuliatoriaus kasetė

Jei norite išimti akumuliatoriaus kasetę, ištraukite ją iš įrankio, stumdami mygtuką, esantį kasetės priekyje.

Jei norite įdėti akumuliatoriaus kasetę, sulygiuokite liežuvelį ant akumuliatoriaus kasetės su grioveliu korpuso ir įstumkite į jai skirtą vietą. Įdėkite iki galo, kol spragtelės užsikis. Jeigu matote raudoną indikatorius viršutinėje mygtuko pusėje, ji nėra visiškai užfiksuota.

**▲ PERSPĖJIMAS:** Akumuliatoriaus kasetę visada įkiškite iki galo, kol nebematysite raudono indikatorius. Priešingu atveju ji gali atsitinkinti iškristi iš įrankio, sužeisti jus arba aplinkinius.

**▲ PERSPĖJIMAS:** Nekiškite akumuliatoriaus kasetės įėga. Jeigu kasetė sunkiai lenda, ją kišate netinkamai.

### Akumuliatoriaus apsaugos sistema

**Ličio jonų akumuliatorius su žvaigždutės ženklu**

► **Pav.2:** 1. Žvaigždutės ženklas

Ličio jonų akumuliatoriuose su žvaigždutės ženklu būna apsaugos sistema. Ši sistema automatiškai atjungia įrankio maitinimą, kad akumuliatorių būtų galima naudoti ilgiau.

Įrankis automatiškai išsijungs darbo metu, esant vienai iš šių įrankio ir (arba) akumuliatorių naudojimo sąlygų:

#### Perkrautas:

įrankis naudojamas taip, kad jame neįprastai padidėja elektros srovė.

Tokiu atveju atleiskite įrankio gaiduką ir nutraukite darbą, dėl kurio kilo įrankio perkrova. Po to vėl įjunkite įrankį.

Jeigu įrankis neįsijungia, reiškia perkaito akumuliatorius. Tokiu atveju palaukite, kol akumuliatorius atvės, paskui vėl galite įjungti įrankį.

#### Žema akumuliatoriaus įtampa:

Likusi akumuliatoriaus energija per maža ir įrankis negali veikti. Tokiu atveju išimkite akumuliatorių ir įkraukite jį.

## Likusios akumuliatoriaus galios rodymas

► **Pav.3:** 1. Akumuliatoriaus indikatorius 2. Tikrinimo mygtukas

Paspauskite tikrinimo mygtuką, kad būtų rodoma likusi akumuliatoriaus energija. Akumuliatorių indikatoriai parodo atitinkamo akumuliatoriaus galią.

Akumuliatoriaus indikatorius būseną		Likusi akumuliatorių galia
Šviečia	Nešviečia	
		50 % ar daugiau
		20–50 %
		Mažiau nei 20 %

## Likusios akumuliatoriaus galios rodymas

**Taikoma tik akumuliatorių kasetėms, kurių modelio numerio gale yra „B“**

► **Pav.4:** 1. Indikatorijų lemputės 2. Tikrinimo mygtukas

Paspauskite akumuliatoriaus kasetės tikrinimo mygtuką, kad būtų rodoma likusi akumuliatoriaus energija. Maždaug trims sekundėms užsidegs indikatorijų lemputės.

Indikatorijų lemputės			Likusi galia
Šviečia	Nešviečia	Blyksi	
			75 - 100 %
			50 - 75 %
			25 - 50 %
			0 - 25 %
			Įkraukite akumuliatorių.
			Galimai įvyko akumuliatoriaus veikimo triktis.



**PASTABA:** Rodmuo gali šiek tiek skirtis nuo faktinės energijos lygio – tai priklauso nuo naudojimo sąlygų ir aplinkos temperatūros.

## Jungiklio veikimas

► **Pav.5:** 1. Gaidukas

**▲PERSPĖJIMAS:** Prieš montuodami akumuliatoriaus kasetę įrankyje, visuomet patikrinkite, ar gaidukas tinkamai veikia ir atleistas grįžta į išjungimo padėtį „OFF“.

Jei norite paleisti įrankį, tiesiog patraukite jungiklį. Stipriau spaudžiant gaiduką, įrankio veikimo greitis didėja. Norėdami išjungti, atleiskite svirtinį gaiduką.

Gaiduką galima užfiksuoti, kad netyčia jis nebūtų patrauktas. Norėdami užfiksuoti gaiduką, paspauskite mygtuką iš šono su žyma . Norėdami atlaisvinti, paspauskite mygtuką iš šono su žyma .

► **Pav.6:** 1. Užfiksavimo mygtukas

**▲PERSPĖJIMAS:** Visada užfiksuokite įrankį, kai atliekate arba trumpam sustabdote darbą.

## Pjovimo gylio reguliavimas

Pjovimo gylis atitinka ant disko pateiktą skalę. Atlaisvinkite ant disko laikiklio esantį varžtą tiek, kad diską būtų galima laisvai išimti. Sulygiuokite ant disko esančią skalę su disko laikiklio apatine linija. Po to užveržkite varžtus.

► **Pav.7:** 1. Pjovimo gylis 2. Disko laikiklio apatinė linija 3. Disko skalė

Maksimalus pjovimo gylis priklauso nuo pjovimo disko tipo. Visada naudokite pjovimo diską, skirtą darbinei medžiagai pjauti.

Pjovimo disko tipas	Maks. pjovimo gylis
Gipso kartonui	30 mm
Medienai	15 mm

## LED lemputė

**▲PERSPĖJIMAS:** Nežiūrėkite tiesiai į šviesą arba šviesos šaltinį.

Patraukite jungiklio gaiduką, kad užsidegtų lemputė. Lemputė švies tol, kol trauksite gaiduką. Atleidus gaiduką, lemputė užgęsta maždaug po 10 sekundžių.

► **Pav.8:** 1. Lemputė

**PASTABA:** Purvą nuo lemos objektyvo nuvalykite sausu skudurėliu. Būkite atsargūs, kad nesubraižytumėte lemos objektyvo, nes pablogės apšvietimas.

## SURINKIMAS

**▲PERSPĖJIMAS:** Prieš darydami ką nors įrankiui visada patikrinkite, ar įrenginys išjungtas, o akumuliatorių kasetė – nuimta.

## Dulkių rinktuvo išėmimas

**▲PERSPĖJIMAS:** Niekada nedirbkite įrankiu be dulkių rinktuvo. Dulkių gali patekti į akis ir jas sužaloti.

Norėdami nuimti dulkių rinktuvą, laikykite įrankio rankeną ir atitraukite atgal įrankio auseles. Būtinai vienu metu traukite auseles abiejose pusėse.

► **Pav.9:** 1. Auselė

Įdėdami sulygiuokite dulkių rinktuvo kraštą su ant pagrindo esančiu grioveliu.

► **Pav.10:** 1. Griovelis

## Gipso kartono pjovimo disko pakeitimas nauju

**▲PERSPĖJIMAS:** Visada nuvalykite pjuvenas ar kitas medžiagas, prilipusias prie disko ir (arba) diskų laikiklio. Kitaip diskas bus blogai priveržtas ir dėl to žmonės gali būti smarkiai sužaloti.

**▲PERSPĖJIMAS:** Nelieskite disko arba ruošinio tuoj pat po darbo. Jie gali būti nepaprastai karšti ir nudeginti odą.

**▲PERSPĖJIMAS:** Patikrinkite, ar diskas tinkamai pritvirtintas. Jeigu diskas blogai įtvirtintas, jis gali lūžti arba galite sunkiai susižaloti.

1. Išimkite dulkių rinktuvą.
2. Šešiakampi varžliarakčių atsukite varžtus, esančius ant diskų laikiklio.  
► **Pav.11:** 1. Varžtai 2. Diskų laikiklis 3. Diskas
3. Nustatykite naują diską, kaip parodyta paveikslėlyje. Patikrinkite, ar išlenktas disko kraštas nukreiptas į priekį. Įdėkite diskų laikiklio iškyšą į ant disko esančią angą.  
► **Pav.12:** 1. Anga 2. Išsikūsiusi dalis (priešingoje pusėje)
4. Sureguliuokite pjovimo gylį, tuomet priveržkite varžtus.
5. Įdėkite dulkių rinktuvą.

## Nuimamo disko įdėjimas

**▲PERSPĖJIMAS:** Visada nuimamą diską naudokite tam skirtam ilgiui, pločiui ir storiui. Netinkamai įdėtas nuimamas diskas gali lūžti. Sulūžęs diskas gali nuskristi ir sužaloti.

Šiam įrankiui taip pat galima naudoti nuimamą pjovimo diską. Naudokite 18 mm pločio nuimamo disko 3 segmentus su 0,5 mm storiumi. Pjaunant gipso kartoną maksimalus pjovimo gylis yra 12,5 mm.

► **Pav.13:** 1. Nuimamo disko trys segmentai

1. Atsukite diskų laikiklio varžtus. Pasukite diskų laikiklį taip, kad jo iškyša būtų nukreipta į išorę.
2. Įdėkite nuimamą diską taip, kad aštrusis kraštas būtų nukreiptas į priekį.
3. Pritvirtinkite nuimamą diską ten, kur pirmo segmento galas liečiasi su diskų laikiklio kraštu, kaip parodyta paveikslėlyje.

- **Pav.14:** 1. Diskų laikiklis 2. Nuimamo disko pirmo segmento galas 3. Leistinas pjovimo ilgis

## Disko gaubto uždėjimas

**▲PERSPĖJIMAS:** Kai įrankis nenaudojamas, visada uždėkite disko gaubtą. Neuždengtas diskas gali sužaloti arba pats būti pažeistas.

Kiškite disko gaubtą per diską, kol kabliu užkabinsite pagrindo gaubtą. Dėdami atkreipkite dėmesį į disko gaubto kryptį; platesnis kablys turi būti priekinėje pusėje. Norėdami nuimti disko gaubtą, pakelkite jį spausdami iš abiejų pusių.

- **Pav.15:** 1. Disko gaubtas 2. Kablys

Dirbdami kiškite disko gaubtą į kablį, esantį ant pagrindo, kaip parodyta paveikslėlyje, kol išgirsite spragtelėjimą.

- **Pav.16:** 1. Disko gaubtas 2. Kablys

## Šešiabriaunio veržliarakčio laikymas

Nenaudojamą šešiabriaunį veržliarakčių laikykite taip, kaip parodyta paveikslėlyje, kad nepamestumėte.

- **Pav.17:** 1. Šešiakampis veržliaraktis

## Dulkių siurblio prijungimas

Prijunkite „Makita“ dulkių siurbį, kad darbas būtų švarus. Nuimkite guminį gaubtą nuo dulkių rinktuvo ir prijunkite prie dulkių rinktuvo antgalio dulkių siurblio žarną.

- **Pav.18:** 1. Dulkių rinktuvas 2. Guminis gaubtas  
3. Dulkių siurblio žarna

## NAUDOJIMAS

**▲PERSPĖJIMAS:** Tvirtai laikykite įrankį.

**▲PERSPĖJIMAS:** Pjaudami pagrindą visada laikykite lygiai su roušiniu. Niekada nepjaukite išlenktai. Jeigu taip darysite, diskas gali suskilti ir sunkiai sužeisti jus.

V formos išpjova ir išgaubta dalis įrankio pagrindo gaubte rodo disko padėtį. Pjaudami visada tikrinkite disko padėtį.

### Įrankio pagrindo gaubtas

- **Pav.19:** 1. V formos išpjova 2. Išgaubta dalis  
3. Diskas

**PASTABA:** Norint išpjauti tiksliai, rekomenduojama ant roušinio iš anksto nubrėžti pjovimo linijas.

1. Uždėkite disko galiuką ant pradžios linijos. Pakreipkite įrankį taip, kad pagrindo priekinis kraštas liestų roušinį. Sulygiuokite priekiniame krašte esančią V formos išėmos apačią su pjovimo linija.

- **Pav.20**

2. Lėtai traukite gaiduką taip, kad diskas nesiliestų prie roušinio. Kai diskas pasiekia visą greitį, stumkite įrankį roušinio link. Kai diskas prasiskverbia per roušinį, leiskite visam pagrindo gaubto paviršiui liestis su roušiniu.

- **Pav.21**

3. Stumkite įrankį tiesiai į priekį, kol baigsite pjovimą.

## TECHNINĖ PRIEŽIŪRA

**▲PERSPĖJIMAS:** Visuomet įsitinkinkite, ar įrankis yra išjungtas ir akumulatoriaus kasetė yra nuimta prieš atlikdami apžiūrą ir priežiūrą.

**PASTABA:** Niekada nenaudokite gazolino, benzino, tirpiklio, spirito arba panašių medžiagų. Gali atsirasti išblukimų, deformacijų arba įtrūkimų.

## Pagrindo gaubto valymas

Nuvalykite ant pagrindo gaubto susikaupusias pjuvenas ir dulkes. Pakelkite pagrindo gaubtą, traukdami gale esantį kablį, kad nuimtumėte jį. Norėdami uždėti, atlikite nuėmimo veiksmus atvirkščia tvarka.

- **Pav.22:** 1. Pagrindo gaubtas 2. Kablys

**▲PERSPĖJIMAS:** Kai nuimate pagrindo gaubtą, atkreipkite dėmesį į disko galiuką ir pjuvenas.

**PASTABA:** Reguliariai atlikite valymo darbus. Nešvarus pagrindo gaubtas gali pažeisti arba sugadinti darbinį paviršių.

Kad gaminys būtų SAUGUS ir PATIKIMAS, jį taisyti, apžiūrėti ar vykdyti bet kokią kitą priežiūrą ar derinimą turi įgaliotasis kompanijos „Makita“ techninės priežiūros centras; reikia naudoti tik kompanijos „Makita“ pagamintas atsargines dalis.

## PASIRENKAMI PRIEDAI

**▲PERSPĖJIMAS:** Šiuos papildomus priedus arba įtaisus rekomenduojama naudoti su šioje instrukcijoje nurodytu „Makita“ bendrovės įrankiu. Naudojant bet kokius kitus papildomus priedus arba įtaisus, gali kilti pavojus sužeisti žmones. Naudokite tik nurodytam tikslui skirtus papildomus priedus arba įtaisus.

Jeigu norite daugiau sužinoti apie tuos priedus, kreipkitės į artimiausią „Makita“ techninės priežiūros centrą.

- Gipso kartono pjovimo diskas
- Medienos pjovimo diskas
- Dulkių dėžė
- Dulkių rinktuvas
- Šešiakampis veržliaraktis
- Kablys
- Originalus „Makita“ akumulatorius ir įkroviklis

**PASTABA:** Kai kurie sąraše esantys priedai gali būti pateikti įrankio pakuotėje kaip standartiniai priedai. Jie įvairiose šalyse gali skirtis.

## TEHNILISED ANDMED

<b>Mudel:</b>		<b>DSD180</b>	
Käigu pikkus		6 mm	
Käikude arv minutis		0 - 6 000 min <sup>-1</sup>	
Maksimaalne löikevõimekus	Kipsplaat	30 mm	
	Puit	15 mm	
Nimipinge		Alalisvool 18 V	
Standardseid akukassetid		BL1815N, BL1820, BL1820B	BL1830, BL1830B, BL1840, BL1840B, BL1850, BL1850B, BL1860B
Üldpikkus		258 mm	263 mm
Netokaal		1,7 kg	1,9 kg

- Meie pideva uuringu- ja arendusprogrammi tõttu võidakse tehnilisi andmeid muuta ilma sellest ette teatamata.
- Tehnilised andmed ja akukasset võivad riigiti erineda.
- Kaal koos akukassetiga, EPTA-protseduuri 01/2003 kohaselt

### Kavandatud kasutus

See tööriist on mõeldud kipsplaadi ristilõikamiseks. Sobiva saetera paigaldamisel on võimalik ka puitu lõigata.

### Müra

Tüüpiline A-korrigeeritud müratase, määratud standardi EN60745-2-11 kohaselt:

Helirõhutase ( $L_{pA}$ ): 79 dB (A)

Määramatus (K): 3 dB (A)

Töötamisel võib müratase ületada 80 dB (A).

**HOIATUS:** Kasutage kõrvakaitsmeid.

### Vibratsioon

Vibratsiooni koguväärtus (kolmeteljeliste vektorite summa) määratud standardi EN60745-2-11 kohaselt:

Töörežiim: kipsplaadi lõikamine (paksus 30 mm)

Vibratsiooniheide ( $a_n$ ): 2,5 m/s<sup>2</sup>

Määramatus (K): 1,5 m/s<sup>2</sup>

Töörežiim: puitlaastplaadi lõikamine (paksus 15 mm)

Vibratsiooniheide ( $a_n$ ): 5,0 m/s<sup>2</sup>

Määramatus (K): 1,5 m/s<sup>2</sup>

**MÄRKUS:** Deklareeritud vibratsiooniheite väärtus on mõõdetud kooskõlas standardse testimismeetodiga ning seda võib kasutada ühe seadme võrdlemiseks teisega.

**MÄRKUS:** Deklareeritud vibratsiooniheite väärtust võib kasutada ka mürataseme esmaseks hindamiseks.

**HOIATUS:** Vibratsioonitase võib elektritööriista tegelikkuses kasutamise ajal erineda deklareeritud väärtusest olenevalt tööriista kasutamise viisidest.

**HOIATUS:** Rakendage operaatori kaitsmiseks kindlasti piisavaid ohutusabinõusid, mis põhinevad hinnangulisel müratasemel tegelikus töösiituatsioonis (võttes arvesse tööperioodi kõiki osasid, nagu näiteks korrad, kui seade lülitatakse välja ja seade töötab tühikäigul, lisaks tööajale).

### EÜ vastavusdeklaratsioon

#### Ainult Euroopa riikide puhul

EL-i vastavusdeklaratsioon sisaldub käesoleva juhendi Lisas A.

## OHUTUSHOIATUSED

### Üldised elektritööriistade ohutushoiatused

**HOIATUS:** Lugege läbi kõik ohutushoiatused ja juhtnõupid. Hoiatuste ja juhtnõupid mittejärgmine võib põhjustada elektrišokki, tulekahju ja/või tõsisid vigastusi.

### Hoidke edaspidisteks viide- teks alles kõik hoiatused ja juhtnõupid.

Hoiatustes kasutatud termini „elektritööriist“ all peetakse silmas elektriga töötavaid (juhtmega) elektritööriistu või akuga töötavaid (juhtmeta) elektritööriistu.



## Juhtmeta kipsplaadisaie ohutusjuhised

1. Hoidke elektritööriista lõikamise ajal isoleeritud käepidemest, kui lõikeriist võib kokku puutuda peidetud juhtmetega. Voolu all oleva juhtmega kokkupuutesse sattunud lõiketera võib pingestada elektritööriista metallosi ning põhjustada kasutajale elektrilöögi.
2. Kasutage detaili kinnitamiseks ja stabiilsele alusele toetamiseks klambreid või mõnda muud sobivat viisi. Töödeldava detaili hoidmiseks käega või selle toetamiseks vastu keha on detail ebastabiilses asendis ja detaili üle võib kaduda kontroll.
3. Kasutage alati kaitse- või ohutusprille. Tavalised prillid või päikeseprillid EI OLE kaitseprillid.
4. Vältige naeltesse sisselõikamist. Kontrollige, kas töödeldavas detailis on naelu. Eemaldage need enne töö alustamist.
5. Ärge lõigake ülemöödulist detaili.
6. Enne lõikamist kontrollige sobiva eraldamisvahemiku olemasolu töödeldava detaili ja toetuspinna vahel nii, et lõiketera ei tabaks pörandat, tööpinki jne.
7. Hoidke tööriistast kindlalt kinni.
8. Veenduge, et lõiketera ei puutuks enne tööriista sisselülitamist vastu töödeldavat detaili.
9. Hoidke käed liikuvatest osadest eemal.
10. Ärge jätkke tööriista käima. Käivitage tööriist ainult siis, kui hoiate seda käes.
11. Enne lõiketera eemaldamist töödeldavast detailist lülitage tööriist alati vooluvõrgust välja ja oodake, kuni lõiketera on lõplikult seiskunud.
12. Ärge puudutage saelehte ega töödeldavat detaili vahetult pärast tööoperatsiooni, sest need võivad olla äärmiselt kuumad ja põletada nahka.
13. Ärge käituge tööriista tarbetult koormamata olekus.
14. Mõned materjalid võivad sisaldada mürgiseid aineid. Võtke meetmed tolmu sissehingamise ja nahaga kokkupuutumise vältimiseks. Järgige materjali tarnija ohutusteavet.
15. Kasutage alati õiget tolmumaski/respiraatorit, mis vastab materjalile ja rakendusele, millega töötate.

## HOIDKE JUHEND ALLES.

**⚠ HOIATUS:** ÄRGE UNUSTAGE järgida toote ohutusnõudeid mugavuse või toote (korduskasutamisega saavutatud) hea tundmise tõttu. VALE KASUTUS või kasutusjuhendi ohutuseeskirjade eiramine võib põhjustada tervisekahjustusi.

## Akukassetiga seotud olulised ohutusjuhised

1. Enne akukassetti kasutamist lugege (1) akulaadidjal, (2) akul ja (3) seadmel olevad juhtnõidid ja hoiatused läbi.
2. Ärge võtke akukassetti lahti.

3. Kui tööaeg järsult lüheneb, siis lõpetage kohe kasutamine. Edasise kasutamise tulemuseks võib olla ülekuumenemisoht, võimalikud põletused või isegi plahvatus.
4. Kui elektrolüüti satub silma, siis loputage silma puhta veega ja pöörduge koheselt arsti poole. Selline õnnetus võib põhjustada pimedaksjäämist.
5. Ärge tekitage akukassetis lühist:
  - (1) Ärge puutuge klemme elektrijuhtmetega.
  - (2) Ärge hoidke akukassetti tööriistakastis koos metallsemetega, nagu naelad, mündid jne.
  - (3) Ärge tehke akukassetti märjaks ega jätkke seda vihma kätte.Aku lühis võib põhjustada tugevat elektrivoolu, ülekuumenemist, põletusi ning ka seadet tõsiselt kahjustada.
6. Ärge hoidke tööriista ja akukassetti kohtades, kus temperatuur võib tõusta üle 50 °C.
7. Ärge põletage akukassetti isegi siis, kui see on saanud tõsiselt vigastada või on täiesti kulu- nud. Akukassett võib tules plahvatada.
8. Olge ettevaatlik, ärge laske akul maha kukkuda ja vältige lööke.
9. Ärge kasutage kahjustatud akut.
10. Sisalduvatele liitium-ioonakudele võivad kohalduda ohtlike kaupade õigusaktide nõuded. Kaubanduslikul transportimisel, näiteks kolmanda poolte või transpordiettevõtete poolt, tuleb järgida pakendil ja siltidel toodud erinõudeid. Transportimiseks ettevalmistamisel on vajalik pidada nõu ohtliku materjali ekspertidega. Samuti tuleb järgida võimalike riiklike regulatsioonide üksikasjalikumaid nõudeid. Katke teibiga või varjake avatud kontaktid ja pakendage aku selliselt, et see ei saaks pakendis liikuda.
11. Järgige kasutuskõlbatuks muutunud aku käitlemisel kohalikke eeskirju.

## HOIDKE JUHEND ALLES.

**⚠ ETTEVAATUST:** Kasutage ainult Makita originaalakusid. Mitte Makita originaalakude või muudetud akude kasutamine võib põhjustada akude süttimise, kehavigastuse ja kahjustuse. Samuti muudab see kehtetuks Makita tööriista ja laadija Makita garantii.

## Vihjeid aku maksimaalse kasutaja tagamise kohta

1. Laadige akukassetti enne selle täielikku tühjenemist. Kui märkate, et tööriist töötab väiksema võimsusega, peatage töö ja laadige akukassetti.
2. Ärge laadige täielikult laetud akukassetti. Ülelaadimine lühendab akude kasutusiga.
3. Laadige akukassetti toatemperatuuril 10 °C - 40 °C. Enne laadimist laske kuumenenud akukassetil maha jahtuda.
4. Kui te ei kasuta akukassetti kauem kui kuus kuud, laadige see.

# FUNKTSIONAALNE KIRJELDUS

**⚠ETTEVAATUST:** Kandke alati hoolt selle eest, et tööriist oleks enne reguleerimist ja kontrollimist välja lülitatud ja akukassett eemaldatud.

## Akukasseti paigaldamine või eemaldamine

**⚠ETTEVAATUST:** Lülitage tööriist alati enne akukasseti paigaldamist või eemaldamist välja.

**⚠ETTEVAATUST:** Akukasseti paigaldamisel või eemaldamisel tuleb tööriista ja akukassetti kindlalt paigal hoida. Kui tööriista ja akukassetti ei hoita kindlalt paigal, võivad need käest libiseda ning kahjustada tööriista ja akukassetti või põhjustada kehavigastusi.

► **Joon.1:** 1. Punane näidik 2. Nupp 3. Akukassett

Akukasseti eemaldamiseks libistage see tööriista küljest lahti, vajutades kasseti esiküljel paiknevat nuppu alla.

Akukasseti paigaldamiseks joondage akukasseti keel korpuse soonega ja libistage kassett oma kohale. Paigaldage akuadapter alati nii kaugele, et see lukustuks klõpsatusega oma kohale. Kui näete nupu ülaosas punast osa, pole kassett täielikult lukustunud.

**⚠ETTEVAATUST:** Paigaldage akukassett alati täies ulatuses nii, et punast osa ei jääks näha. Muidu võib adapter juhuslikult tööriistast välja kukkuda ning põhjustada teile või läheduses viibivatele isikutele vigastusi.

**⚠ETTEVAATUST:** Ärge rakendage akukassetti paigaldamisel jõudu. Kui kassett ei lähe kergesti sisse, pole see õigesti paigaldatud.

## Aku kaitsesüsteem

### Tähemärgisega liitumioonakud

► **Joon.2:** 1. Tähemärgis

Tähemärgisega liitumioonakud on varustatud kaitsesüsteemiga. Süsteem lülitab aku eluea pikendamiseks tööriista toitevoolu automaatselt välja.

Tööriist seiskub käitamise ajal automaatselt, kui tööriista ja/või aku kohta kehtivad järgmised tingimused:

#### Ülekoormus:

Tööriista kasutatakse viisil, mis põhjustab toitevoolu tugevuse tõusu lubatust kõrgemale. Sellisel juhul lülitage tööriist välja ning lõpetage tööriista ülekoormuse põhjustanud tegevus. Pärast seda käivitage tööriist uuesti.

Kui tööriist ei käivitu, on aku üle kuumenenud. Sellises olukorras laske akul enne tööriista uuesti sisselülitamist jahtuda.

#### Madal akupinge:

Aku jääkmahutavus on liiga väike ja tööriist ei hakka tööle. Sellisel juhul eemaldage aku ja laadige seda.

## Aku jääkmahutavuse näit

► **Joon.3:** 1. Akunäidik 2. Kontrollimise nupp

Aku järelejäänud mahutavuse kontrollimiseks vajutage kontrollimise nuppu. Kummalgi akul on oma akuindikaator.

Akunäidiku olek		Aku jääkmahutavus
Pöleb	Ei põle	
		50% või rohkem
		20–50%
		Vähem kui 20%

## Aku jääkmahutavuse näit

**Ainult akukassetid, mille mudelinumber lõppeb tähega „B”**

► **Joon.4:** 1. Märgulambid 2. Kontrollimise nupp

Akukasseti järelejäänud mahutavuse kontrollimiseks vajutage kontrollimise nuppu. Märgulambid süttivad mõneks sekundiks.

Märgulambid			Jääkmahutavus
Pöleb	Ei põle	Vilgub	
			75 - 100%
			50 - 75%
			25 - 50%
			0 - 25%
			Laadige akut.
			Akul võib olla tõrge.



**MÄRKUS:** Näidatud mahutavus võib veidi erineda tegelikust mahutavusest olenevalt kasutustingimustest ja ümbritseva keskkonna temperatuurist.

## Lüliti funktsioneerimine

► **Joon.5:** 1. Lüliti päästik

**⚠ETTEVAATUST:** Kontrollige alati enne akukassetti tööriista külge paigaldamist, kas lüliti päästik funktsioneerib nõuetekohaselt ja liigub lahtilaskmisel tagasi väljalülitatud asendisse.

Tööriista tööle panemiseks on vaja lihtsalt lüliti päästikut tõmmata. Tööriista kiirus kasvab siis, kui suurendate survet lüliti päästikule. Vabastage lüliti päästik tööriista seiskamiseks.

Päästiku saab juhusliku vajutamise vältimiseks lukustada. Päästiku lukustamiseks vajutage küljelt  märgisega nuppu. Päästiku vabastamiseks vajutage küljelt  märgisega nuppu.

► **Joon.6:** 1. Lukustusnupp

**⚠ETTEVAATUST:** Lukustage tööriist alati kandmise või töö katkestamise ajaks.

## Lõikesügavuse reguleerimine

Lõikesügavus vastab teral olevale skaalale. Lõdvendage terahoidjal olevat kruvi, kuni tera saab vabalt liikuda. Viige teral asuv skaala kohakuti terahoidja alumise joonega. Seejärel pingutage kruvid.

► **Joon.7:** 1. Lõikesügavus 2. Terahoidja alumine joon 3. Teral asuv skaala

Maksimaalne lõikesügavus on saetera tüübist. Kasutage alati töödeldava materjali lõikamiseks ettenähtud saetera.

Saetera tüüp	Max lõikesügavus
Kipsplaadile	30 mm
Puidule	15 mm

## LED-lamp

**⚠ETTEVAATUST:** Ärge vaadake otse valgusesse ega valgusallikat.

Lambi süütamiseks vajutage lüliti päästikule. Lüliti päästiku vajutamise ajal lamp põleb. Lamp kustub ligikaudu 10 sekundit pärast päästiku vabastamist.

► **Joon.8:** 1. Lamp

**MÄRKUS:** Pühkige lamp kuiva lapiga puhtaks. Olge seda tehes ettevaatlik, et lambi läätse mitte kriimustada, sest muidu võib valgustus väheneda.

## KOKKUPANEK

**⚠ETTEVAATUST:** Kandke alati hoolt selle eest, et tööriist oleks enne igasuguseid hooldustöid välja lülitatud ja akukassett eemaldatud.

## Tolmukoguja eemaldamine

**⚠ETTEVAATUST:** Ärge kasutage tööriista ilma tolmuksujata. Tolm võib sattuda silma ja põhjustada silmavigastuse.

Tolmukoguja eemaldamiseks hoidke tööriista käepidet ja tõmmake tööriistal asuvaid sাকে tagasi. Tõmmake mõlemal küljel asuvaid sাকে samal ajal.

► **Joon.9:** 1. Sakk

Paigaldamise ajal viige tolmuksoguja serv kohakuti alusel oleva soonega.

► **Joon.10:** 1. Soon

## Kipsplaadi saetera vahetamine

**⚠ETTEVAATUST:** Puhastage saeleht ja/või saelehe hoidja alati kõikidest külge jäänud laastudest ja võõrkehadedest. Selle nõude eiramise tagajärjeks võib olla saelehe ebapiisav pingutamine, mis võib põhjustada tõsiseid vigastusi.

**⚠ETTEVAATUST:** Ärge puudutage tera ega töödeldavat detaili vahetult pärast töö tegemist. Need võivad olla väga kuumad ja põletada teie nahka.

**⚠ETTEVAATUST:** Lõiketera peab olema korralikult kinnitatud. Tera ebapiisav pingutamine võib põhjustada tera purunemise või raske kehavigastuse.

1. Eemaldage tolmuksoguja.
2. Eemaldage kuuskantvõtmega terahoidja lähedal asuvad kaks polti.  
► **Joon.11:** 1. Poldid 2. Terahoidja 3. Tera
3. Paigaldage joonisel näidatud viisil uus tera. Veenduge, et tera kumer serv oleks suunatud ette. Paigutage terahoidja eend teral asuvasse pilusse.  
► **Joon.12:** 1. Pilu 2. Eenduv osa (vastaskülg)
4. Reguleerige lõikesügavust ja pingutage seejärel poldid.
5. Paigaldage tolmuksoguja.

## Murtava tera paigaldamine

**⚠ETTEVAATUST:** Kasutage alati ettenähtud pikkuse, laiuse ja paksusega murtavat tera. Valesti paigaldatud murtav tera võib puruneda. Purunenud tera võib eemale paiskuda ja põhjustada kehavigastuse.

Selle tööriistaga saab kasutada ka murtavat tera. Kasutage 18 mm laia ja 0,5 mm paksu murtava tera 3 segmenti. Kipsplaadi lõikamisel on maksimaalne lõikesügavus 12,5 mm.

► **Joon.13:** 1. Murtava tera kolm segmenti

1. Lõdvendage terahoidja polte. Pöörake terahoidjat selliselt, et selle eend oleks suunatud väljapoole.
2. Sisestage murtav tera selliselt, et tera serv oleks suunatud ette.
3. Kinnitage murtav tera asendis, kus esimese segmenti ots on pildil näidatud viisil terahoidja serva juures.  
► **Joon.14:** 1. Terahoidja 2. Murtava tera esimese segmenti ots 3. Lubatud lõikepikkus

## Terakatte kinnitamine

**⚠ETTEVAATUST:** Kui tööriista ei kasutata, kinnitage alati terakatte. Paljastatud tera võib põhjustada kehavigastuse või kahjustada tera ennast.

Juhtige terakate läbi tera, kuni konks haakub aluse kattega. Pange kinnitamisel tähele terakatte suunda; laiem konks kinnitub esiküljele. Terakatte eemaldamisel tõstke seda, pigistades mõlemalt küljelt.

► **Joon.15:** 1. Terakate 2. Konks

Kasutamise ajal sisestage terakate pildil näidatud viisil alusel oleva konksu külge, kuni kostab klõpsatus.

► **Joon.16:** 1. Terakate 2. Konks

## Kuuskantvõtme hoiulepanek

Kui kuuskantvõtit ei kasutata, pange see kaotamise vältimiseks joonisel näidatud viisil hoiule.

► **Joon.17:** 1. Kuuskantvõti

## Tolmuimeja ühendamine

Puhastamiseks ühendage Makita tolmuimeja. Eemaldage tolmu kogujalt kummist kork ja ühendage tolmuimeja voolik tolmu koguja otsakuga.

► **Joon.18:** 1. Tolmu koguja 2. Kummist kork  
3. Tolmuimeja voolik

## TÖÖRIISTA KASUTAMINE

**▲ETTEVAATUST:** Hoidke tööriistast kindlalt kinni.

**▲ETTEVAATUST:** Tald peab olema lõikamise ajal alati rõhtsalt vastu töödeldavat eset. Ärge tehke kunagi kaarjaid lõikeid. Selle nõude eiramise tagajärjel võib sae leht katki minna ning tööriista kasutaja võib saada tõsiselt vigastada.

Tööriista põhjakatte V-sälk ja kumer osa tähistavad tera asukohta. Kontrollige lõikamise ajal alati tera asukohta.

**Tööriista põhjakate**

► **Joon.19:** 1. V-sälk 2. Kumer osa 3. Tera

**MÄRKUS:** Täpseks lõikamiseks on soovitatav töödeldavale esemele enne lõikejooned joonistada.

1. Asetage saetera algusjoonele. Kallutage tööriista nii, et aluse esiserv puudutaks vastu töödeldavat eset. Viige esiserval asuva V-sälgu põhi kohakuti lõikejoonega.

► **Joon.20**

2. Vajutage aeglaselt päästikut, ilma et tera vastu töödeldavat eset puudutaks. Kui tera on saavutanud täiskiruse, suruge tööriist vastu töödeldavat eset. Kui tera on läbistanud töödeldava eseme, viige kogu põhja pind vastu töödeldavat eset.

► **Joon.21**

3. Liigutage tööriista otse ette kuni lõikamise lõpuni.

## HOOLDUS

**▲ETTEVAATUST:** Enne kontroll- või hooldustoimingute tegemist kandke alati hoolt selle eest, et tööriist oleks välja lülitatud ja akukassett korpuse küljest eemaldatud.

**TÄHELEPANU:** Ärge kunagi kasutage bensiini, vedeldit, alkoholi ega midagi muud sarnast. Selle tulemuseks võib olla luitumine, deformatsioon või pragunemine.

## Põhjakatte puhastamine

Puhastage põhjakatte lõikelaastudest ja kogunenud tolmust. Tõstke põhjaplaati, tõmmates samal ajal eemaldamiseks taga asuvat konksu. Paigaldamisel järgige eemaldamisprotseduuri vastupidises järjekorras.

► **Joon.22:** 1. Põhjakate 2. Konks

**▲ETTEVAATUST:** Pöörake põhjakatte eemaldamisel tähelepanu tera otsale ja lõikelaastudele.

**TÄHELEPANU:** Puhastage regulaarselt. Määratud põhjakatte võib kahjustada või rikkuda töödeldavat pinda.

Toote OHUTUSE ja TÖÖKINDLUSE tagamiseks tuleb vajalikud remonttööd ning muud hooldus- ja reguleerimistööd lasta teha Makita volitatud teeninduskeskustes või tehase teeninduskeskustes. Alati tuleb kasutada Makita varuosi.

## VALIKULISED TARVIKUD

**▲ETTEVAATUST:** Neid tarvikuid ja lisaseadiseid on soovitatav kasutada koos Makita tööriistaga, mille kasutamist selles kasutusjuhendis kirjeldatakse. Muude tarvikute ja lisaseadiste kasutamisega kaasneb vigastada saamise oht. Kasutage tarvikuid ja lisaseadiseid ainult otstarbekohaselt.

Saate vajaduse korral kohalikust Makita teeninduskeskusest lisateavet nende tarvikute kohta.

- Kipsplaadi saetera
- Puidu saetera
- Tolmukarp
- Tolmu koguja
- Kuuskantvõti
- Konks
- Makita algupärane aku ja laadija

**MÄRKUS:** Mõned nimekirjas loetletud tarvikud võivad kuuluda standardvarustusse ning need on lisatud tööriista pakendisse. Need võivad riigiti erineda.

## ТЕХНИЧЕСКИЕ ХАРАКТЕРИСТИКИ

<b>Модель:</b>		<b>DSD180</b>	
Длина хода		6 мм	
Ходов в минуту		0 - 6 000 мин <sup>-1</sup>	
Макс. режущие возможности	Гипсокартон	30 мм	
	Дерево	15 мм	
Номинальное напряжение		18 В пост. тока	
Стандартные блоки аккумулятора		BL 1815N, BL 1820, BL 1820B	BL 1830, BL 1830B, BL 1840, BL 1840B, BL 1850, BL 1850B, BL 1860B
Общая длина		258 мм	263 мм
Масса нетто		1,7 кг	1,9 кг

- Благодаря нашей постоянно действующей программе исследований и разработок указанные здесь технические характеристики могут быть изменены без предварительного уведомления.
- Технические характеристики и аккумуляторный блок могут отличаться в зависимости от страны.
- Масса (с аккумуляторным блоком) в соответствии с процедурой EPTA 01.2003

### Назначение

Данный инструмент предназначен для обработки гипсокартона с врезной подачей. Для резки дерева необходимо установить специальное пыльное полотно.

### Шум

Типичный уровень взвешенного звукового давления (A), измеренный в соответствии с EN60745-2-11:

Уровень звукового давления ( $L_{pA}$ ): 79 дБ (A)

Погрешность (K): 3 дБ (A)

Уровень шума при выполнении работ может превышать 80 дБ (A).

**▲ ОСТОРОЖНО:** Используйте средства защиты слуха.

### Вибрация

Суммарное значение вибрации (сумма векторов по трем осям), определенное в соответствии с EN60745-2-11:

Рабочий режим: резка гипсокартона (толщина 30 мм)

Распространение вибрации ( $a_h$ ): 2,5 м/с<sup>2</sup>

Погрешность (K): 1,5 м/с<sup>2</sup>

Рабочий режим: резка ДСП (толщина 15 мм)

Распространение вибрации ( $a_h$ ): 5,0 м/с<sup>2</sup>

Погрешность (K): 1,5 м/с<sup>2</sup>

**ПРИМЕЧАНИЕ:** Заявленное значение распространения вибрации измерено в соответствии со стандартной методикой испытаний и может быть использовано для сравнения инструментов.

**ПРИМЕЧАНИЕ:** Заявленное значение распространения вибрации можно также использовать для предварительных оценок воздействия.

**▲ ОСТОРОЖНО:** Распространение вибрации во время фактического использования электроинструмента может отличаться от заявленного значения в зависимости от способа применения инструмента.

**▲ ОСТОРОЖНО:** Обязательно определите меры безопасности для защиты оператора, основанные на оценке воздействия в реальных условиях использования (с учетом всех этапов рабочего цикла, таких как выключение инструмента, работа без нагрузки и включение).

### Декларация о соответствии ЕС

*Только для европейских стран*

Декларация о соответствии ЕС включена в руководство по эксплуатации (Приложение А).

## МЕРЫ БЕЗОПАСНОСТИ

### Общие рекомендации по технике безопасности для электроинструментов

**▲ ОСТОРОЖНО:** Ознакомьтесь со всеми инструкциями и рекомендациями по технике безопасности. Невыполнение инструкций и рекомендаций может привести к поражению электротоком, пожару и/или тяжелым травмам.

## Сохраните брошюру с инструкциями и рекомендациями для дальнейшего использования.

Термин "электроинструмент" в предупреждениях относится ко всему инструменту, работающему от сети (с проводом) или на аккумуляторах (без провода).

### Правила техники безопасности при эксплуатации аккумуляторной пилы для гипсокартона

1. Если при выполнении работ существует риск контакта режущего инструмента со скрытой электропроводкой, держите электроинструмент за специально предназначенные изолированные поверхности. Контакт с проводом под напряжением может стать причиной поражения оператора током.
2. Для фиксации разрезаемой детали на устойчивой поверхности используйте зажимы или другие соответствующие приспособления. Никогда не держите распиливаемые детали в руках и не прижимайте их к телу, так как это не обеспечит устойчивого положения детали и может привести к потере контроля над инструментом.
3. Обязательно надевайте защитные очки или защитную маску для лица. Обычные или солнцезащитные очки НЕ ЯВЛЯЮТСЯ защитными очками.
4. Избегайте попадания режущего инструмента на гвозди. Перед пилением осмотрите деталь и убедитесь в отсутствии гвоздей.
5. Не распиливайте детали, размер которых превышает допустимый.
6. Убедитесь в наличии свободного пространства за распиливаемой деталью, чтобы полотно не уперлось в пол, верстак и т. п.
7. Крепко держите инструмент.
8. Перед включением выключателя убедитесь в том, что полотно не касается обрабатываемой детали.
9. Руки должны находиться на расстоянии от движущихся деталей.
10. Не оставляйте работающий инструмент без присмотра. Включайте инструмент только тогда, когда он находится в руках.
11. Перед извлечением полотна из детали всегда выключайте инструмент и ждите полного прекращения движения полотна.
12. Не касайтесь полотна или обрабатываемой детали сразу же после работы; они могут быть очень горячими и обжечь кожу.
13. Не эксплуатируйте инструмент без нагрузки, если в этом нет необходимости.
14. Некоторые материалы могут содержать токсичные химические вещества. Примите соответствующие меры предосторожности, чтобы избежать вдыхания или контакта с кожей таких веществ. Соблюдайте требования, указанные в паспорте безопасности материала.

15. Обязательно используйте соответствующую пылезащитную маску/респиратор для защиты дыхательных путей от пыли разрезаемых материалов.

## СОХРАНИТЕ ДАННЫЕ ИНСТРУКЦИИ.

**⚠ ОСТОРОЖНО: НЕ ДОПУСКАЙТЕ**, чтобы удобство или опыт эксплуатации данного устройства (полученный от многократного использования) доминировали над строгим соблюдением правил техники безопасности при обращении с этим устройством. **НЕПРАВИЛЬНОЕ ИСПОЛЬЗОВАНИЕ** инструмента или несоблюдение правил техники безопасности, указанных в данном руководстве, может привести к тяжелой травме.

### Важные правила техники безопасности для работы с аккумуляторным блоком

1. Перед использованием аккумуляторного блока прочитайте все инструкции и предупреждающие надписи на (1) зарядном устройстве, (2) аккумуляторном блоке и (3) инструменте, работающем от аккумуляторного блока.
2. Не разбирайте аккумуляторный блок.
3. Если время работы аккумуляторного блока значительно сократилось, немедленно прекратите работу. В противном случае, может возникнуть перегрев блока, что приведет к ожогам и даже к взрыву.
4. В случае попадания электролита в глаза промойте их обильным количеством чистой воды и немедленно обратитесь к врачу. Это может привести к потере зрения.
5. Не замыкайте контакты аккумуляторного блока между собой:
  - (1) Не прикасайтесь к контактам какими-либо токопроводящими предметами.
  - (2) Не храните аккумуляторный блок в кейсе вместе с другими металлическими предметами, такими как гвозди, монеты и т. п.
  - (3) Не допускайте попадания на аккумуляторный блок воды или дождя.Замыкание контактов аккумуляторного блока между собой может привести к возникновению большого тока, перегреву, возможному ожогу и даже поломке блока.
6. Не храните инструмент и аккумуляторный блок в местах, где температура может достигать или превышать 50 °C (122 °F).
7. Не бросайте аккумуляторный блок в огонь, даже если он сильно поврежден или полностью вышел из строя. Аккумуляторный блок может взорваться под действием огня.
8. Не роняйте и не ударяйте аккумуляторный блок.



9. Не используйте поврежденный аккумуляторный блок.
10. Входящие в комплект литий-ионные аккумуляторы должны эксплуатироваться в соответствии с требованиями законодательства об опасных товарах.  
При коммерческой транспортировке, например, третьей стороной или экспедитором, необходимо нанести на упаковку специальные предупреждения и маркировку.  
В процессе подготовки устройства к отправке обязательно проконсультируйтесь со специалистом по опасным материалам. Также соблюдайте местные требования и нормы. Они могут быть строже.  
Закройте или закрепите разомкнутые контакты и упакуйте аккумулятор так, чтобы он не перемещался по упаковке.
11. Выполняйте требования местного законодательства относительно утилизации аккумуляторного блока.

## СОХРАНИТЕ ДАННЫЕ ИНСТРУКЦИИ.

**ВНИМАНИЕ:** Используйте только фирменные аккумуляторные батареи Makita. Использование аккумуляторных батарей, не произведенных Makita, или батарей, которые были подвергнуты модификациям, может привести к взрыву аккумулятора, пожару, травмам и повреждению имущества. Это также автоматически аннулирует гарантию Makita на инструмент и зарядное устройство Makita.

## Советы по обеспечению максимального срока службы аккумулятора

1. Заряжайте блок аккумуляторов перед его полной разрядкой. Обязательно прекратите работу с инструментом и зарядите блок аккумуляторов, если вы заметили снижение мощности инструмента.
2. Никогда не подзаряжайте полностью заряженный блок аккумуляторов. Перезарядка сокращает срок службы аккумулятора.
3. Заряжайте блок аккумуляторов при комнатной температуре в 10 - 40 °C (50 - 104 °F). Перед зарядкой горячего блока аккумуляторов дайте ему остыть.
4. Зарядите ионно-литиевый аккумуляторный блок, если вы не будете пользоваться инструментом длительное время (более шести месяцев).

## ОПИСАНИЕ РАБОТЫ

**ВНИМАНИЕ:** Перед регулировкой или проверкой функций инструмента обязательно убедитесь, что он выключен и его аккумуляторный блок снят.

## Установка или снятие блока аккумуляторов

**ВНИМАНИЕ:** Обязательно выключайте инструмент перед установкой и извлечением аккумуляторного блока.

**ВНИМАНИЕ:** При установке и извлечении аккумуляторного блока крепко удерживайте инструмент и аккумуляторный блок. Если не соблюдать это требование, они могут выскользнуть из рук, что приведет к повреждению инструмента, аккумуляторного блока и травмированию оператора.

► **Рис.1:** 1. Красный индикатор 2. Кнопка 3. Блок аккумулятора

Для снятия аккумуляторного блока нажмите кнопку на лицевой стороне и извлеките блок.

Для установки аккумуляторного блока совместите выступ аккумуляторного блока с пазом в корпусе и задвиньте его на место. Устанавливайте блок до упора так, чтобы он зафиксировался на месте с небольшим щелчком. Если вы можете видеть красный индикатор на верхней части клавиши, адаптер аккумулятора не полностью установлен на месте.

**ВНИМАНИЕ:** Обязательно устанавливайте аккумуляторный блок до конца, чтобы красный индикатор не был виден. В противном случае аккумуляторный блок может выпасть из инструмента и нанести травму вам или другим людям.

**ВНИМАНИЕ:** Не прилагайте чрезмерных усилий при установке аккумуляторного блока. Если блок не двигается свободно, значит он вставлен неправильно.

## Система защиты аккумулятора

*Ионно-литиевый аккумуляторный блок со звездочкой*

► **Рис.2:** 1. Звездочка

В ионно-литиевых аккумуляторных блоках со звездочкой предусмотрена система защиты. Она автоматически отключает питание для продления срока службы аккумуляторного блока.

Инструмент автоматически остановится во время работы при возникновении указанных ниже ситуаций.

### Перегрузка:

Из-за способа эксплуатации инструмент потребляет очень большое количество тока.

В этом случае выключите инструмент и прекратите работу, повлекшую перегрузку инструмента. Затем включите инструмент для перезапуска.




Если инструмент не включается, значит перегрелся аккумуляторный блок. В этом случае дайте аккумулятору остыть перед повторным включением инструмента.

**Низкое напряжение аккумуляторной батареи:** Уровень оставшегося заряда аккумулятора слишком низкий, и инструмент не работает. В этом случае снимите и зарядите аккумулятор.

## Индикация оставшегося заряда аккумулятора

► **Рис.3:** 1. Индикатор аккумулятора 2. Кнопка проверки

Нажмите кнопку проверки для проверки заряда аккумулятора. Индикаторы соответствуют каждому аккумулятору.



















Состояние индикатора аккумуляторной батареи		Уровень заряда аккумулятора
Вкл.	Выкл.	
		50% и более
		20 - 50%
		Менее 20%

## Индикация оставшегося заряда аккумулятора

*Только для аккумуляторных блоков, номер модели которых заканчивается на "В"*

► **Рис.4:** 1. Индикаторы 2. Кнопка проверки

Нажмите кнопку проверки на аккумуляторном блоке для проверки заряда. Индикаторы загорятся на несколько секунд.

Индикаторы			Уровень заряда
Горит	Выкл.	Мигает	
			от 75 до 100%
			от 50 до 75%
			от 25 до 50%
			от 0 до 25%
			Зарядите аккумуляторную батарею.
			Возможно, аккумуляторная батарея неисправна.



**ПРИМЕЧАНИЕ:** В зависимости от условий эксплуатации и температуры окружающего воздуха индикация может незначительно отличаться от фактического значения.

## Действие выключателя

► **Рис.5:** 1. Триггерный переключатель

**ВНИМАНИЕ:** Перед установкой аккумуляторного блока в инструмент обязательно убедитесь, что его триггерный переключатель нормально работает и возвращается в положение "OFF" (ВЫКЛ) при отпускании.

Для запуска инструмента просто нажмите на триггерный переключатель. Для увеличения числа оборотов нажатия триггерный переключатель сильнее. Отпустите триггерный переключатель для остановки.

Триггер можно заблокировать, чтобы избежать его случайного нажатия. Чтобы заблокировать триггер, нажмите на кнопку со стороны с отметкой . Для разблокировки нажмите на кнопку со стороны с отметкой .

► **Рис.6:** 1. Кнопка блокировки

**ВНИМАНИЕ:** Обязательно блокируйте инструмент, если переносите его, а также во время перерыва в работе.

## Регулировка глубины пропила

Глубина резки соответствует шкале на полотне. Ослабьте винт на держателе полотна так, чтобы полотно свободно перемещалось. Выровняйте шкалу на полотне с нижней частью держателя. Затем затяните винты.

► **Рис.7:** 1. Глубина резки 2. Нижняя часть держателя полотна 3. Шкала на полотне

Максимальная глубина резки зависит от типа пильного полотна. Всегда используйте пильное полотно, предназначенное для резки обрабатываемого материала.

Тип пильного полотна	Максимальная глубина резки
Для гипсокартона	30 мм
Для дерева	15 мм

## Светодиодная подсветка

**ВНИМАНИЕ:** Не смотрите непосредственно на свет или источник света.

Нажмите триггерный переключатель, чтобы включить лампу. Лампа будет светиться до тех пор, пока нажат триггерный переключатель. Лампа гаснет приблизительно через 10 секунд после отпускания выключателя.

► **Рис.8:** 1. Лампа

**ПРИМЕЧАНИЕ:** Для удаления пыли с линзы лампы используйте сухую ткань. Не допускайте возникновения царапин на линзе лампы, так как это приведет к снижению освещенности.

## СБОРКА

**ВНИМАНИЕ:** Перед проведением каких-либо работ с инструментом обязательно убедитесь, что инструмент отключен, а блок аккумулятора снят.

### Снятие пылесборника

**ВНИМАНИЕ:** Запрещено использовать инструмент без пылесборника. Пыль может попасть в глаза и привести к травме.

Чтобы снять пылесборник, удерживайте ручку инструмента и потяните за петли назад. Необходимо тянуть за петли с обеих сторон одновременно.

► **Рис.9:** 1. Петля

При установке выровняйте край пылесборника с пазом в основании.

► **Рис.10:** 1. Паз

### Замена пыльного полотна по гипсокартону

**ВНИМАНИЕ:** Обязательно удалите все опилки или инородные частицы, прилипшие к полотну и/или держателю полотна. Несоблюдение данного требования может привести к недостаточной натяжке полотна и серьезной травме.

**ВНИМАНИЕ:** Не касайтесь полотна или детали сразу после окончания работы. Они могут быть очень горячими и вызвать ожог.

**ВНИМАНИЕ:** Убедитесь, что полотно хорошо закреплено. Недостаточная натяжка полотна может привести к его поломке или серьезной травме.

1. Снимите пылесборник.
2. С помощью шестигранного ключа выверните болты держателя полотна.  
► **Рис.11:** 1. Болты 2. Держатель полотна 3. Полотно
3. Установите новое полотно, как показано на рисунке. Убедитесь, что изогнутая сторона полотна направлена вперед. Совместите выступ на держателе полотна с пазом на полотне.  
► **Рис.12:** 1. Паз 2. Выступ (противоположная сторона)
4. Отрегулируйте глубину резки и затяните болты.
5. Присоедините пылесборник.

## Установка сегментированного полотна

**ВНИМАНИЕ:** Обязательно используйте сегментированное полотно соответствующей длины, ширины и толщины. Полотно, установленное ненадлежащим образом, может сломаться. Сломанное полотно может отлететь и нанести травму.

С данным инструментом также можно использовать сегментированное полотно. Используйте 3 сегмента шириной 18 мм сегментированного полотна толщиной 0,5 мм. Максимальная глубина резки по гипсокартону составляет 12,5 мм.

► **Рис.13:** 1. Три сегмента сегментированного полотна

1. Ослабьте болты на держателе полотна. Поверните держатель полотна так, чтобы выступ был направлен наружу.
2. Установите сегментированное полотно так, чтобы острый край был направлен вперед.
3. Закрепите сегментированное полотно так, чтобы край первого сегмента был выровнен с кромкой держателя полотна, как показано на рисунке.  
► **Рис.14:** 1. Держатель полотна 2. Край первого сегмента сегментированного полотна 3. Допустимая длина реза

### Установка кожуха полотна

**ВНИМАНИЕ:** Обязательно устанавливайте кожух полотна, если инструмент не используется. Несоблюдение данной рекомендации может стать причиной травмы или повреждения полотна.

Надевайте кожух на полотно, пока крючок не закрепится на крышке основания. Обратите внимание на направление при установке кожуха: более широкий крючок должен оказаться с лицевой стороны. Чтобы снять кожух, поднимите его, зажав с обеих сторон.

► **Рис.15:** 1. Кожух полотна 2. Крючок

Во время работы устанавливайте кожух на крючок в основании инструмента, как показано на рисунке.

► **Рис.16:** 1. Кожух полотна 2. Крючок

### Хранение шестигранного ключа

Когда шестигранный ключ не используется, храните его, как показано на рисунке, чтобы не потерять.

► **Рис.17:** 1. Шестигранный ключ

### Подключение пылесоса

Для обеспечения чистоты во время работы подсоедините пылесос Makita. Снимите резиновый колпачок с пылесборника и подключите шланг пылесоса к патрубку.

► **Рис.18:** 1. Пылесборник 2. Резиновый колпачок 3. Шланг пылесоса

## ЭКСПЛУАТАЦИЯ

**ВНИМАНИЕ:** Крепко держите инструмент.

**ВНИМАНИЕ:** Во время резки обязательно держите основание на одном уровне с деталью. Запрещается выполнять изогнутые вырезы. Несоблюдение данного требования может привести к поломке полотна и серьезной травме.

V-образная выемка и выступ в крышке основания инструмента указывают на положение полотна. Во время резки обязательно проверяйте положение полотна.

### Крышка основания инструмента

► **Рис.19:** 1. V-образная выемка 2. Выступ  
3. Полотно

**ПРИМЕЧАНИЕ:** Для выполнения точной резки перед началом работы рекомендуется провести направляющие линии на поверхности обрабатываемой детали.

1. Расположите конец полотна в начале линии. Наклоните инструмент так, чтобы передний край основания касался детали. Выровняйте нижнюю часть V-образной выемки на передней кромке с линией разреза.

► **Рис.20**

2. Медленно потяните триггерный переключатель. Полотно при этом не должно касаться обрабатываемой детали. Когда полотно наберет полную скорость, надавите на инструмент в направлении детали. Когда полотно проникнет в деталь, полностью опустите крышку основания на обрабатываемую деталь.

► **Рис.21**

3. Направляйте инструмент четко вперед до завершения резки.

## ОБСЛУЖИВАНИЕ

**ВНИМАНИЕ:** Перед проведением проверки или работ по техобслуживанию всегда проверяйте, что инструмент выключен, а блок аккумуляторов снят.

**ПРИМЕЧАНИЕ:** Запрещается использовать бензин, растворители, спирт и другие подобные жидкости. Это может привести к обесцвечиванию, деформации и трещинам.

### Очистка крышки основания

Очистите крышку основания от скопившихся опилок и пыли. Чтобы снять крышку основания, поднимите ее, потянув за крючок в задней части. Для установки выполните процедуру снятия в обратной последовательности.

► **Рис.22:** 1. Крышка основания 2. Крючок

**ВНИМАНИЕ:** Осмотрите конец полотна и обратите внимание на наличие опилок при снятии крышки основания.

**ПРИМЕЧАНИЕ:** Регулярно выполняйте очистку. Загрязненная крышка основания может повредить рабочую поверхность.

Для обеспечения БЕЗОПАСНОСТИ и НАДЕЖНОСТИ оборудования ремонт, любое другое техобслуживание или регулировку необходимо производить в уполномоченных сервис-центрах Makita или сервис-центрах предприятия с использованием только сменных частей производства Makita.

## ДОПОЛНИТЕЛЬНЫЕ ПРИНАДЛЕЖНОСТИ

**ВНИМАНИЕ:** Данные принадлежности или приспособления рекомендуются для использования с инструментом Makita, указанным в настоящем руководстве. Использование других принадлежностей или приспособлений может привести к получению травмы. Используйте принадлежность или приспособление только по указанному назначению.

Если вам необходимо содействие в получении дополнительной информации по этим принадлежностям, свяжитесь с вашим сервис-центром Makita.

- Пильное полотно по гипсокартону
- Пильное полотно по дереву
- Пылесборный блок
- Пылесборник
- Шестигранный ключ
- Крючок
- Оригинальный аккумулятор и зарядное устройство Makita

**ПРИМЕЧАНИЕ:** Некоторые элементы списка могут входить в комплект инструмента в качестве стандартных приспособлений. Они могут отличаться в зависимости от страны.



**Makita Europe N.V.** Jan-Baptist Vinkstraat 2,  
3070 Kortenberg, Belgium

**Makita Corporation** 3-11-8, Sumiyoshi-cho,  
Anjo, Aichi 446-8502 Japan

[www.makita.com](http://www.makita.com)

885512-987  
EN, SV, NO, FI,  
LV, LT, ET, RU  
20160208