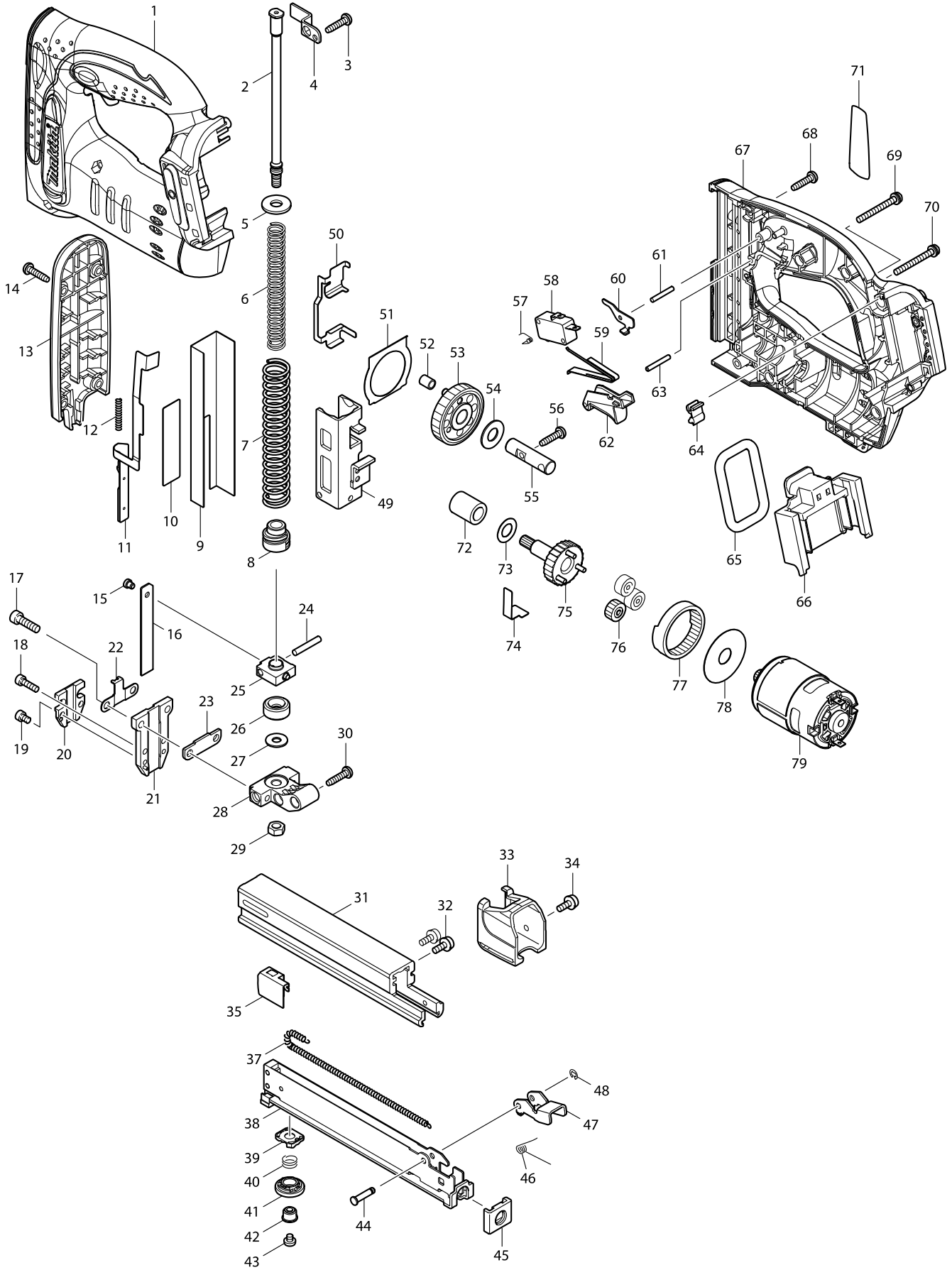


# Model No. DST221 CORDLESS STAPLER



# Model No. DST221 CORDLESS STAPLER

| Item | Parts No. | Description                 | I/C | Qty | N/O | Opt. 1 | Opt. 2 | Note |
|------|-----------|-----------------------------|-----|-----|-----|--------|--------|------|
| 001  | 187938-7  | HOUSING SET                 |     | 1   |     |        |        |      |
| C10  | 263005-3  | RUBBER PIN 6                |     | 2   |     |        |        |      |
| D10  |           | INC. 67                     |     |     |     |        |        |      |
| 002  | 325635-9  | GUIDE BOLT                  |     | 1   |     |        |        |      |
| 003  | 265995-6  | TAPPING SCREW 4X18          |     | 1   |     |        |        |      |
| 004  | 345907-6  | FIX PLATE                   |     | 1   |     |        |        |      |
| 005  | 253762-1  | FLAT WASHER 8               |     | 1   |     |        |        |      |
| 006  | 234060-2  | COMPRESSION SPRING 9        |     | 1   |     |        |        |      |
| 007  | 234101-4  | COMPRESSION SPRING 13       |     | 1   |     |        |        |      |
| 008  | 424135-7  | SPRING HOLDER               |     | 1   |     |        |        |      |
| 009  | 345978-3  | GUIDE PLATE                 |     | 1   |     |        |        |      |
| 010  | 345906-8  | UPPER PLATE                 |     | 1   |     |        |        |      |
| 011  | 165602-0  | SAFETY LEVER                |     | 1   |     |        |        |      |
| 012  | 234078-3  | COMPRESSION SPRING 4        |     | 1   |     |        |        |      |
| 013  | 450539-7  | FRONT COVER                 |     | 1   |     |        |        |      |
| 014  | 265995-6  | TAPPING SCREW 4X18          |     | 4   |     |        |        |      |
| 015  | 268157-5  | PIN 4                       |     | 1   |     |        |        |      |
| 016  | 345996-1  | DRIVER                      |     | 1   |     |        |        |      |
| 017  | 922227-1  | HEX. SOCKET HEAD BOLT M5X18 |     | 2   |     |        |        |      |
| 018  | 266201-2  | HEX.SOCKET HEAD BOLT M4X14  |     | 2   |     |        |        |      |
| 019  | 266199-3  | HEX.SOCKET HEAD BOLT M4X6   |     | 2   |     |        |        |      |
| 020  | 451801-3  | SAEFTY LEVER GUIDE          |     | 1   |     |        |        |      |
| 021  | 158759-4  | DRIVER GUIDE COMPLETE       |     | 1   |     |        |        |      |
| 022  | 345910-7  | SPRING BASE                 |     | 1   |     |        |        |      |
| 023  | 344670-8  | SET PLATE                   |     | 1   |     |        |        |      |
| 024  | 256206-0  | PIN 4                       |     | 1   |     |        |        |      |
| 025  | 313150-5  | DRIVER LOCK                 |     | 1   |     |        |        |      |
| 026  | 424099-5  | CUSHION                     |     | 1   |     |        |        |      |
| 027  | 253804-1  | FLAT WASHER 6               |     | 1   |     |        |        |      |
| 028  | 318267-9  | HOLDER                      |     | 1   |     |        |        |      |
| 029  | 931302-2  | HEX. NUT M6                 |     | 1   |     |        |        |      |
| 030  | 265995-6  | TAPPING SCREW 4X18          |     | 1   |     |        |        |      |
| 031  | 331842-4  | MAIN MAGAZINE               |     | 1   |     |        |        |      |
| 032  | 911113-1  | PAN HEAD SCREW M4X10        |     | 2   |     |        |        |      |
| 033  | 450540-2  | END CAP                     |     | 1   |     |        |        |      |
| 034  | 911113-1  | PAN HEAD SCREW M4X10        |     | 1   |     |        |        |      |
| 035  | 345997-9  | PUSHER                      |     | 1   |     |        |        |      |
| 037  | 231854-6  | TENSION SPRING 3            |     | 1   |     |        |        |      |
| 038  | 165532-5  | SUB MAGAZINE                |     | 1   |     |        |        |      |
| 039  | 450775-5  | ADJUSTER BASE               |     | 1   |     |        |        |      |
| 040  | 231323-7  | COMPRESSION SPRING 9        |     | 1   |     |        |        |      |
| 041  | 450702-2  | ADJUSTER                    |     | 1   |     |        |        |      |
| 042  | 450774-7  | LOCK SLEEVE                 |     | 1   |     |        |        |      |
| 043  | 265127-5  | + PAN HEAD SCREW M4X4       |     | 1   |     |        |        |      |
| 044  | 268029-4  | PIN 4                       |     | 1   |     |        |        |      |
| 045  | 421637-4  | MAGAZINE END                |     | 1   |     |        |        |      |
| 046  | 233528-5  | TORSION SPRING 5            |     | 1   |     |        |        |      |
| 047  | 345861-4  | LEVER                       |     | 1   |     |        |        |      |

# Model No. DST221 CORDLESS STAPLER

| Item | Parts No. | Description                    | I/C | Qty | N/O | Opt. 1 | Opt. 2 | Note |
|------|-----------|--------------------------------|-----|-----|-----|--------|--------|------|
| 048  | 961017-7  | STOP RING E-3                  |     | 1   |     |        |        |      |
| 049  | 165506-6  | HAMMER                         |     | 1   |     |        |        |      |
| 050  | 345914-9  | SLIDE PLATE                    |     | 1   |     |        |        |      |
| 051  | 343629-2  | PLATE                          |     | 1   |     |        |        |      |
| 052  | 257772-0  | SLEEVE 5                       |     | 1   |     |        |        |      |
| 053  | 158646-7  | SPUR GEAR 55 COMPLETE          |     | 1   |     |        |        |      |
| 054  | 253171-4  | FLAT WASHER 10                 |     | 1   |     |        |        |      |
| 055  | 324947-7  | PIN 10                         |     | 1   |     |        |        |      |
| 056  | 265995-6  | TAPPING SCREW 4X18             |     | 1   |     |        |        |      |
| 057  | 233531-6  | TORSION SPRING 3               |     | 1   |     |        |        |      |
| 058  | 651891-8  | SWITCH V-15-3A6                |     | 1   |     |        |        |      |
| 059  | 232240-4  | LEAF SPRING                    |     | 1   |     |        |        |      |
| 060  | 345908-4  | RELEASE PLATE                  |     | 1   |     |        |        |      |
| 061  | 256221-4  | PIN 3                          |     | 1   |     |        |        |      |
| 062  | 450536-3  | TRIGGER                        |     | 1   |     |        |        |      |
| 063  | 256221-4  | PIN 3                          |     | 1   |     |        |        |      |
| 064  | 424026-2  | CUSHION                        |     | 1   |     |        |        |      |
| 065  | 424030-1  | CUSHION                        |     | 1   |     |        |        |      |
| 066  | 644812-7  | TERMINAL                       |     | 1   |     |        |        |      |
| 067  | 187938-7  | HOUSING SET                    |     | 1   |     |        |        |      |
| C10  | 263005-3  | RUBBER PIN 6                   |     | 2   |     |        |        |      |
| D10  |           | INC. 1                         |     |     |     |        |        |      |
| 068  | 265995-6  | TAPPING SCREW 4X18             |     | 6   |     |        |        |      |
| 069  | 911163-6  | PAN HEAD SCREW M4X35           |     | 1   |     |        |        |      |
| 070  | 911163-6  | PAN HEAD SCREW M4X35           |     | 1   |     |        |        |      |
| 071  | 815X68-5  | DST221 NAME PLATE              |     | 1   |     |        |        |      |
| 072  | 214058-5  | PLANE BEARING 10               |     | 1   |     |        |        |      |
| 073  | 253758-2  | FLAT WASHER 10                 |     | 1   |     |        |        |      |
| 074  | 232241-2  | LEAF SPRING                    |     | 1   |     |        |        |      |
| 075  | 158647-5  | SPUR GEAR 7 COMPLETE           |     | 1   |     |        |        |      |
| 076  | 221961-3  | SPUR GEAR 27                   |     | 3   |     |        |        |      |
| 077  | 221999-8  | INTERNAL GEAR 69               |     | 1   |     |        |        |      |
| 078  | 267053-4  | FLAT WASHER 12                 |     | 1   |     |        |        |      |
| 079  | 629125-7  | DC MOTOR                       |     | 1   |     |        |        |      |
| A01  | 195246-2  | SAFETY GOGGLE                  |     | 1   |     |        |        |      |
| A02  | 251314-2  | + SCREW M4X12                  |     | 1   |     |        |        |      |
| A03  | 346317-0  | HOOK                           |     | 1   |     |        |        |      |
| A04E | 141074-3  | PLASTIC CARRYING CASE COMPLETE |     | 1   |     |        |        |      |
| C10  | 324667-3  | SHAFT                          |     | 1   |     |        |        |      |
| C20  | 413098-2  | PLATE                          |     | 4   |     |        |        |      |
| C30  | 417724-5  | LATCH                          |     | 2   |     |        |        |      |
| C40  | 419215-2  | PLASTIC CASE LID               |     | 1   |     |        |        |      |
| C50  | 419216-0  | HANDLE                         |     | 1   |     |        |        |      |
| A04G | 821550-0  | CONNECTOR PLASTIC CASE (TYPE2) |     | 1   |     |        |        |      |
| C10  | 453974-8  | LATCH                          |     | 4   |     |        |        |      |
| A04H | 821550-0  | CONNECTOR PLASTIC CASE (TYPE2) |     | 1   |     |        |        |      |
| C10  | 453974-8  | LATCH                          |     | 4   |     |        |        |      |
| A04I | 821550-0  | CONNECTOR PLASTIC CASE (TYPE2) |     | 1   |     |        |        |      |

# Model No. DST221 CORDLESS STAPLER

| Item   | Parts No. | Description                  | I/C | Qty | N/O | Opt. 1 | Opt. 2 | Note |
|--------|-----------|------------------------------|-----|-----|-----|--------|--------|------|
| C10    | 453974-8  | LATCH                        |     | 4   |     |        |        |      |
| A05E   | 804N06-2  | DST221RFE PLASTIC CASE LABEL |     | 1   |     |        |        |      |
| A05G   | 837640-9  | INNER TRAY                   |     | 1   |     |        |        |      |
| A05H   | 837640-9  | INNER TRAY                   |     | 1   |     |        |        |      |
| A05I   | 837640-9  | INNER TRAY                   |     | 1   |     |        |        |      |
| A06E   | 194204-5  | BATTERY BL1830 SET           |     | 2   | *   |        |        |      |
| A06G   | 194204-5  | BATTERY BL1830 SET           |     | 2   | *   |        |        |      |
| A06I   | 196399-0  | BATTERY BL1840 SET           |     | 2   | *   |        |        |      |
| A06-1E | 194204-5  | BATTERY BL1830 SET           | O   | 2   |     |        |        |      |
| A06-1G | 194204-5  | BATTERY BL1830 SET           | O   | 2   |     |        |        |      |
| A06-1I | 196399-0  | BATTERY BL1840 SET           | O   | 2   |     |        |        |      |
| A07E   | 450128-8  | BATTERY COVER                |     | 1   |     |        |        |      |
| A07G   | 450128-8  | BATTERY COVER                |     | 1   |     |        |        |      |
| A07I   | 450128-8  | BATTERY COVER                |     | 1   |     |        |        |      |
| A08E   | ***DC18RC | DC18RC FAST CHARGER          |     | 1   |     |        |        |      |
| A08G   | ***DC18RC | DC18RC FAST CHARGER          |     | 1   |     |        |        |      |
| A08I   | ***DC18RC | DC18RC FAST CHARGER          |     | 1   |     |        |        |      |
| A09G   | 804M97-7  | DST221RFJ INDICATION LABEL   |     | 1   |     |        |        |      |
| A09H   | 804M99-3  | DST221ZJ INDICATION LABEL    |     | 1   |     |        |        |      |
| A09I   | 804N13-5  | DST221RMJ INDICATION LABEL   |     | 1   |     |        |        |      |
| A10G   | 804M98-5  | DST221RFJ PLASTIC CASE LABEL |     | 2   |     |        |        |      |
| A10H   | 804N00-4  | DST221ZJ PLASTIC CASE LABEL  |     | 2   |     |        |        |      |
| A10I   | 804N14-3  | DST221RMJ PLASTIC CASE LABEL |     | 2   |     |        |        |      |
|        |           |                              |     |     |     |        |        |      |
|        |           |                              |     |     |     |        |        |      |
|        |           |                              |     |     |     |        |        |      |
|        |           |                              |     |     |     |        |        |      |
|        |           |                              |     |     |     |        |        |      |
|        |           |                              |     |     |     |        |        |      |
|        |           |                              |     |     |     |        |        |      |
|        |           |                              |     |     |     |        |        |      |
|        |           |                              |     |     |     |        |        |      |
|        |           |                              |     |     |     |        |        |      |
|        |           |                              |     |     |     |        |        |      |
|        |           |                              |     |     |     |        |        |      |
|        |           |                              |     |     |     |        |        |      |
|        |           |                              |     |     |     |        |        |      |
|        |           |                              |     |     |     |        |        |      |
|        |           |                              |     |     |     |        |        |      |
|        |           |                              |     |     |     |        |        |      |
|        |           |                              |     |     |     |        |        |      |
|        |           |                              |     |     |     |        |        |      |
|        |           |                              |     |     |     |        |        |      |
|        |           |                              |     |     |     |        |        |      |
|        |           |                              |     |     |     |        |        |      |
|        |           |                              |     |     |     |        |        |      |
|        |           |                              |     |     |     |        |        |      |
|        |           |                              |     |     |     |        |        |      |
|        |           |                              |     |     |     |        |        |      |
|        |           |                              |     |     |     |        |        |      |
|        |           |                              |     |     |     |        |        |      |
|        |           |                              |     |     |     |        |        |      |
|        |           |                              |     |     |     |        |        |      |
|        |           |                              |     |     |     |        |        |      |
|        |           |                              |     |     |     |        |        |      |
|        |           |                              |     |     |     |        |        |      |