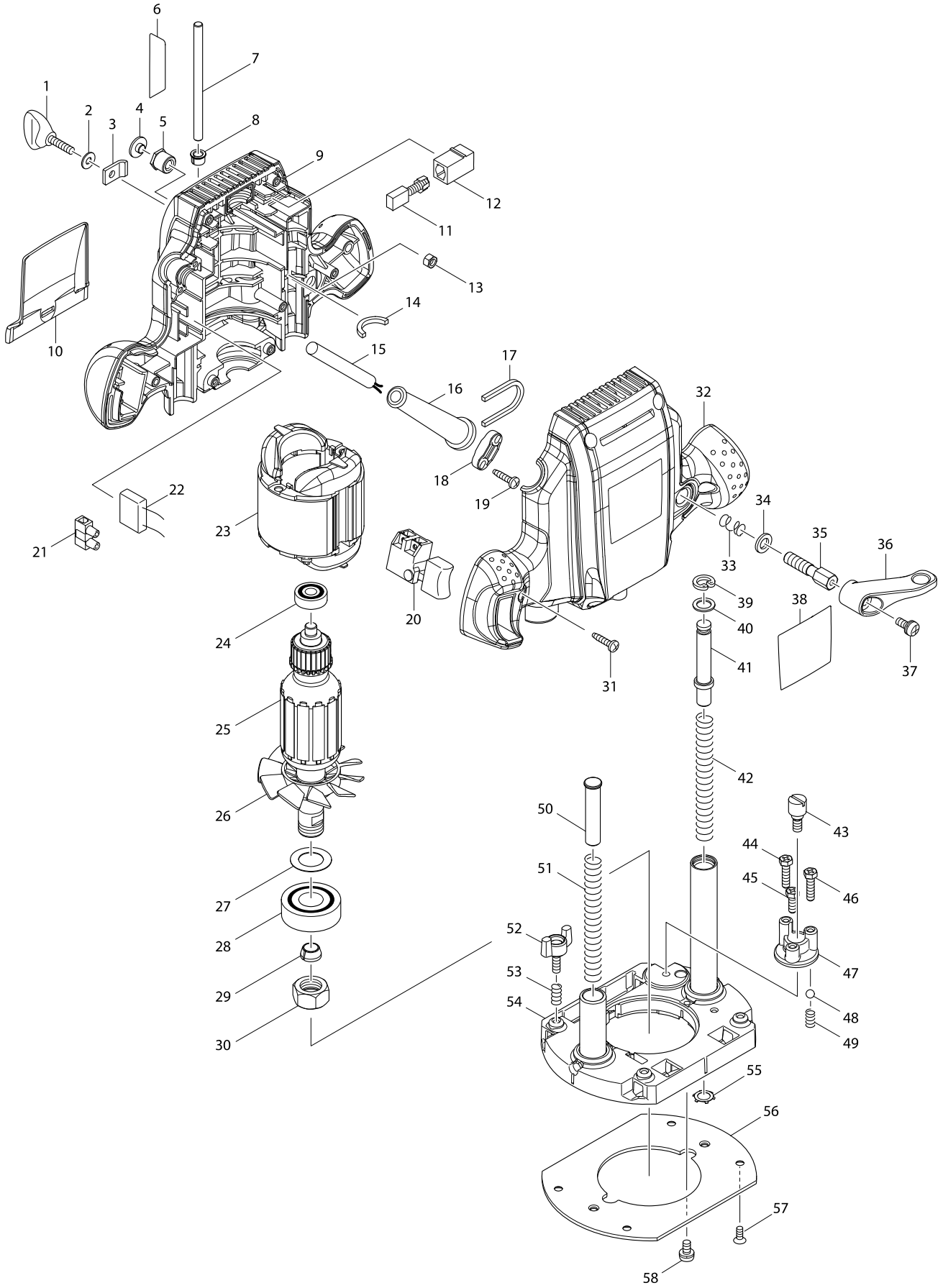


# Model No. RP0900 ROUTER



# Model No. RP0900 ROUTER

Item	Parts No.	Description	I/C	Qty	N/O	Opt. 1	Opt. 2	Note
001	251878-6	SCREW M5X20		1				
002	941101-4	FLAT WASHER 5		1				
003	346007-5	PRESSURE PLATE		1				
004	424156-9	RUBBER CAP		1	*			
005	252094-3	HEX. NUT M8		1				
006	816924-8	SCALE LABEL		1				
007	321948-6	STOPPER POLE		1				
008	451035-8	DEPTH POINTER		1				
009	188696-8	HOUSING SET		1				
C10	263002-9	RUBBER PIN 4		3				
C20	263005-3	RUBBER PIN 6		1				
D10		INC. 13,32						
010	450820-6	CHIP DEFLECTOR		1				
011	181410-1	CARBON BRUSH CB-106		1				
012	643601-7	BRUSH HOLDER 6-10		2				
013	931202-6	HEX. NUT M5		1				
014	443073-4	FELT		1				
015	665865-3	POWER SUPPLY CORD 1.0-2-2.5		1				
016	682504-0	CORD GUARD 10-85		1				
017	443074-2	FELT		1				
018	687124-5	STRAIN RELIEF		1				
019	266326-2	TAPPING SCREW 4X18		2				
020	651280-7	SWITCH SGE115CDY-5		1				
021	654532-5	TERMINAL BLOCK 1P		1				
022	645200-1	NOISE SUPPRESSOR		1				
023	594594-0	FIELD ASS'Y 240V		1				
C10	654037-5	INSULATED TERM. FT1.25-M3		2	*			
C11	654037-5	INSULATED TERM. FT1.25-M3	O	2				
C11	654037-5	INSULATED TERM. FT1.25-M3		2				
024	210044-4	BALL BEARING 608DDW		1				
025	513779-9	ARMATURE ASS'Y 240V		1				
D10		INC. 24,26-28						
026A	241835-2	FAN 72		1	*			
026-1A	240123-4	FAN 72	<	1				
026-1B	240123-4	FAN 72		1				
027	267114-0	FLAT WASHER 17		1				
028	211278-2	BALL BEARING 6203DDW		1				
029	763618-5	COLLET CONE 8MM		1				
030	763615-1	COLLET NUT		1				
031	266326-2	TAPPING SCREW 4X18		7				
032	188696-8	HOUSING SET		1				
C10	263002-9	RUBBER PIN 4		3				
C20	263005-3	RUBBER PIN 6		1				
D10		INC. 9,13						
033	233110-0	COMPRESSION SPRING 8		1				
034	941202-8	FLAT WASHER 8		1				
035	266460-8	SET BOLT M8		1	*			
035-1	266920-0	SET BOLT M8	S	1				

# Model No. RP0900 ROUTER

Item	Parts No.	Description	I/C	Qty	N/O	Opt. 1	Opt. 2	Note
036	450821-4	LEVER 47		1				
037	911213-7	PAN HEAD SCREW M5X12		1				
038	866313-7	RP0900 NAME PLATE		1				
039	962065-9	RETAINING RING R-15		1				
040	267047-9	FLAT WASHER 10		1				
041A	415992-4	PIN 10		1	*			
041-1A	451524-3	PIN 10	<	1				
041-1B	451524-3	PIN 10		1				
042	231416-0	COMPRESSION SPRING 10		1				
043	251447-3	- FLAT HEAD SCREW M6		1				
044	265587-1	+HEX. BOLT M5X20		1				
045	265586-3	+HEX. BOLT M5X14		1				
046	265587-1	+HEX. BOLT M5X20		1				
047	135264-8	STOPPER ASS'Y		1				
D10		INC. 43-46						
048	216022-2	STEEL BALL 7.0		1				
049	231419-4	COMPRESSION SPRING 5		1				
050	256651-9	PIN 10		1				
051	231417-8	COMPRESSION SPRING 10		1				
052	265761-1	THUMB SCREW M5X16		2				
053	231240-1	COMPRESSION SPRING 7		2				
054	158808-7	BASE COMPLETE		1				
055	259019-8	SELF LOCK 15		2				
056	450819-1	BASE PLATE		1				
057	912112-6	COUNTERSUNK HEAD SCREW M4X10		4				
058	911206-4	PAN HEAD SCREW M5X10		2				
A01	164834-6	STRAIGHT GUIDE		1				
A02	781006-4	WRENCH 13		1				
A03	781011-1	WRENCH 22		1				
A04	763636-3	COLLET CONE 6MM		1				
A05A	194733-8	DUST NOZZLE SET		1	*			
C10	213022-3	O RING 3		1	*			
C20	265774-2	THUMB SCREW M4X19		1	*			
A05-1A	194733-8	DUST NOZZLE SET	<	1				
C10	213022-3	O RING 3		2				
C20	265774-2	THUMB SCREW M4X19		1				
A05-1B	194733-8	DUST NOZZLE SET		1				
C10	213022-3	O RING 3		2				
C20	265774-2	THUMB SCREW M4X19		1				
A06A	824880-8	PLASTIC CARRYING CASE		1				
C10	163455-1	LATCH		2				
A06B	821550-0	CONNECTOR PLASTIC CASE (TYPE2)		1	*			
C10	453974-8	LATCH		4	*			
A06-1B	821550-0	CONNECTOR PLASTIC CASE (TYPE2)	<	1				
C10	453974-8	LATCH		4				
A07B	837646-7	INNER TRAY		1				
A08B	801F23-5	RP0900J INDICATION LABEL		1				
A09B	801F24-3	RP0900J PLASTIC CASE LABEL		2				