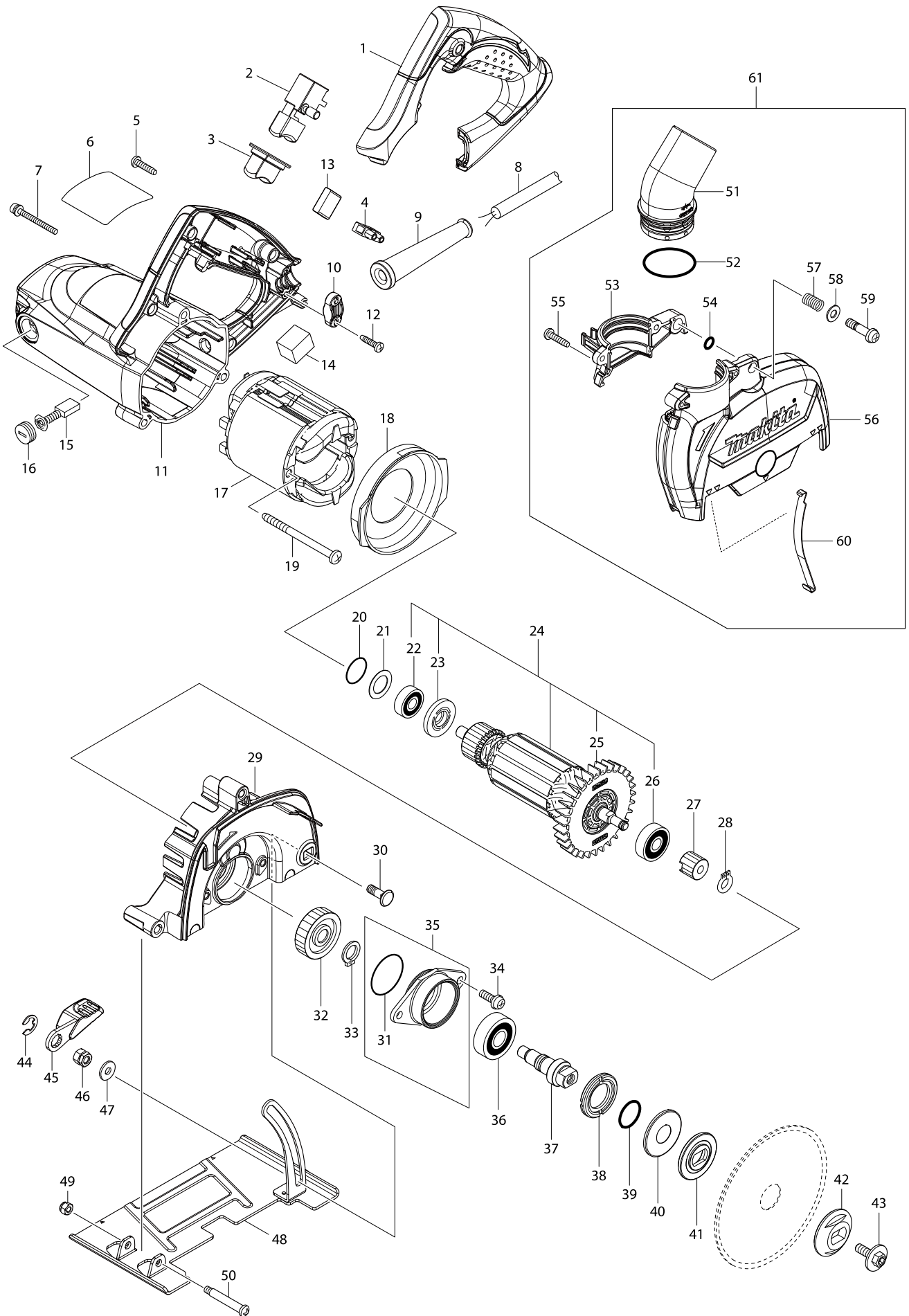


Model No. 4100KB 125MM DUSTLESS CUTTER



Model No. 4100KB 125MM DUSTLESS CUTTER

Item	Parts No.	Description	I/C	Qty	N/O	Opt. 1	Opt. 2	Note
001	450838-7	HANDLE COVER		1				
002	650248-0	SWITCH SGES115C-3		1				
003	424585-6	DUST COVER		1				
004	654532-5	TERMINAL BLOCK 1P		1				
005	265995-6	TAPPING SCREW 4X18		4				
006	853U04-5	4100KB NAME PLATE		1				
007	911263-2	PAN HEAD SCREW M5X40		3				
008	665865-3	POWER SUPPLY CORD 1.0-2-2.5		1				
009	682540-6	CORD GUARD 9.3-90		1				
010	687124-5	STRAIN RELIEF		1				
011	141726-6	MOTOR HOUSING COMPLETE		1				
C10	643708-9	BRUSH HOLDER 5-11		2				
012	265995-6	TAPPING SCREW 4X18		2				
013	645200-1	NOISE SUPPRESSOR		1				
014	424634-9	SPONGE		1				
015	191963-2	CARBON BRUSH CB-303		1				
016	643750-0	BRUSH HOLDER CAP 7-11		2				
017	599095-3	FIELD ASSY 220V		1				
C10	654020-2	RING TERMINAL		2				
C20	654501-6	CONNECTOR P-1.25		2				
018	450839-5	BUFFLE PLATE		1				
019	266038-7	TAPPING SCREW 5X70		2				
020	213262-3	O RING 18		1				
021	253192-6	FLAT WASHER 14		1				
022	211395-8	BALL BEARING 608LLU		1				
023	681644-1	INSULATION WASHER		1				
024	513769-2	ARMATURE ASS'Y 240V		1				
D10		INC. 22,23,25,26						
025	240109-8	FAN 70		1				
026	211092-6	BALL BEARING 629DDW		1				
027	226695-3	HELICAL GEAR 17		1				
028	961002-0	RETAINING RING S-6		1				
029	144781-7	GEAR HOUSING COMPLETE		1				
C10	213445-5	O-RING 26		1				
030	251586-9	FLAT HEAD SQUARE NECK BOLT M6X		1				
031	213444-7	O RING 30		1				
032	226696-1	HELICAL GEAR 44		1				
033	961052-5	RETAINING RING S-12		1				
034	911223-4	PAN HEAD SCREW M5X16		2				
035	135948-8	BEARING BOX ASSEMBLY		1				
D10		INC. 31						
036	211129-9	BALL BEARING 6201DDW		1				
037	325603-2	SPINDLE		1				
038	285858-0	BEARING RETAINER 19-33		1				
039	213279-6	O RING 18		1				
040	253397-8	CUP WASHER 15		1				
041	224423-0	INNER FLANGE 36		1				
042	224424-8	OUTER FLANGE 36		1				

