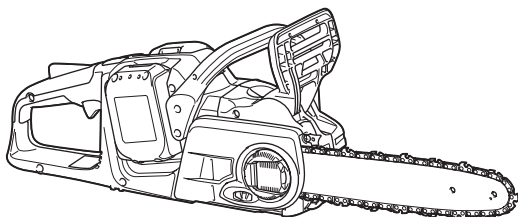
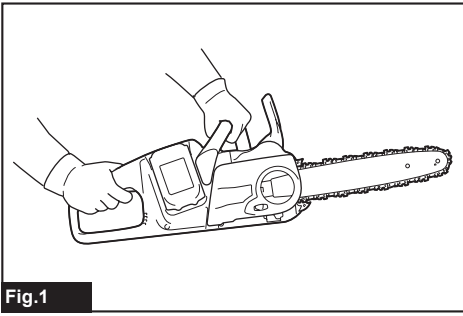




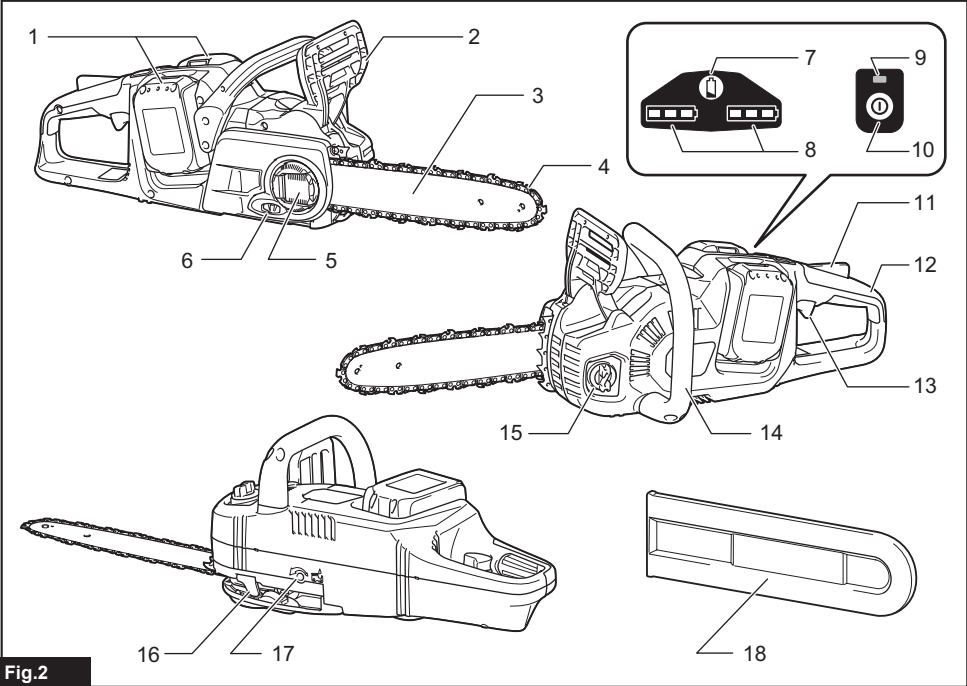
<b>EN</b>	Cordless Chain Saw	INSTRUCTION MANUAL	8
<b>SV</b>	Batteridrivnen kedjesåg	BRUKSANVISNING	19
<b>NO</b>	Batteridrevet kjedesag	BRUKSANVISNING	30
<b>FI</b>	Langaton ketjusaha	KÄYTTÖOHJE	41
<b>LV</b>	Bezvada motorzāģis	LIETOŠANAS INSTRUKCIJA	52
<b>LT</b>	Belaidis grandininis pjūklas	NAUDOJIMO INSTRUKCIJA	63
<b>ET</b>	Juhtmeta kettsaag	KASUTUSJUHEND	74
<b>RU</b>	Цепная пила с питанием от аккумуляторной батареи	РУКОВОДСТВО ПО ЭКСПЛУАТАЦИИ	85

**DUC303**  
**DUC353**  
**DUC400**

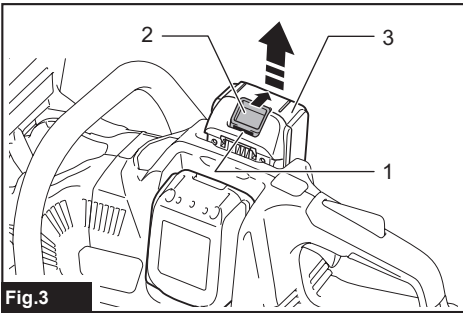




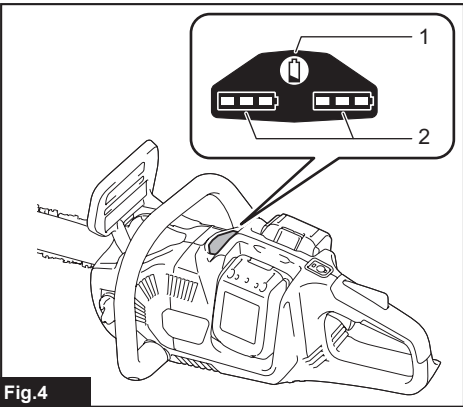
**Fig.1**



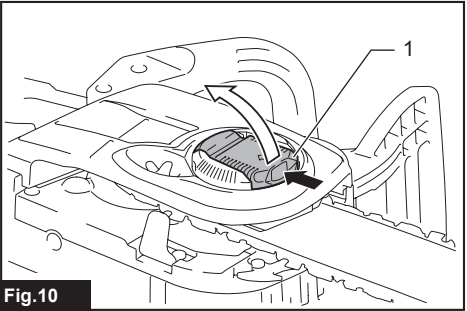
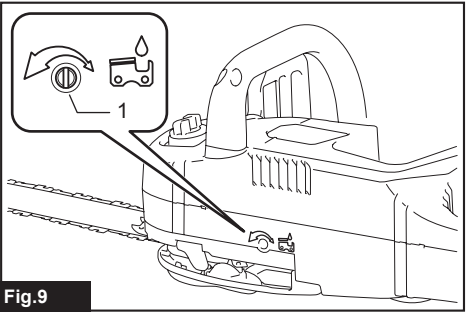
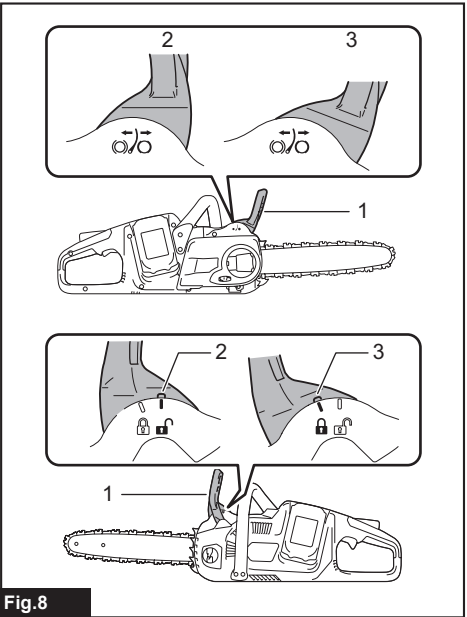
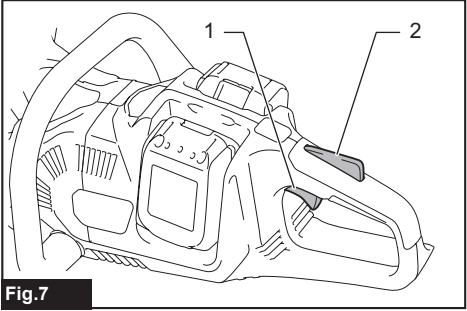
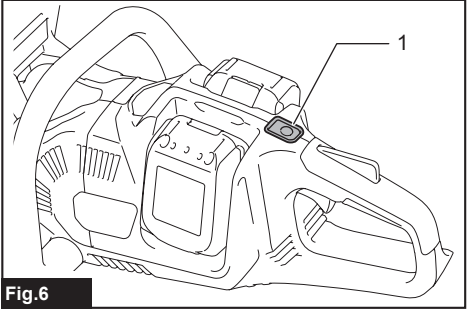
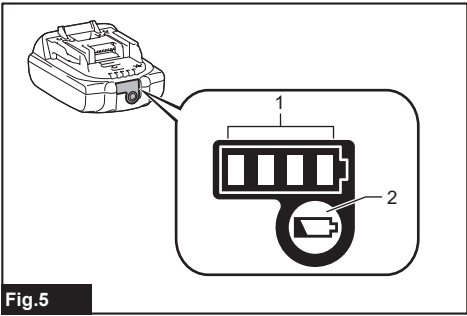
**Fig.2**



**Fig.3**



**Fig.4**



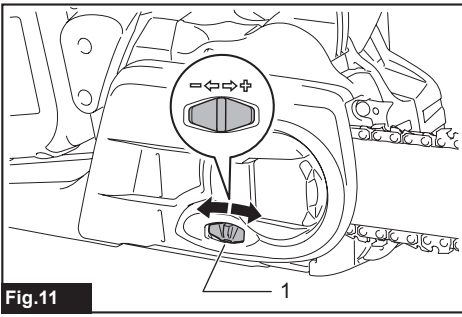


Fig.11

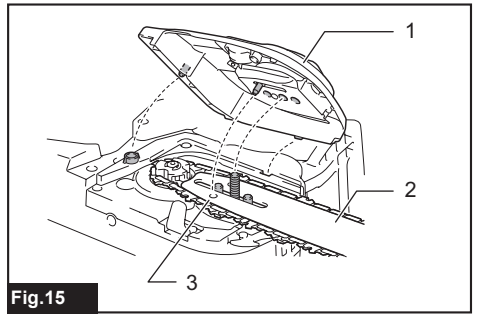


Fig.15

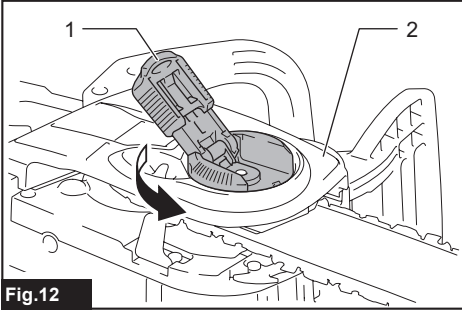


Fig.12

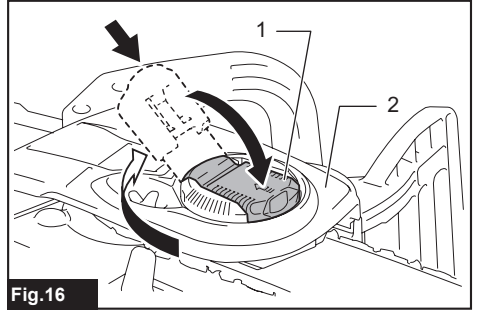


Fig.16

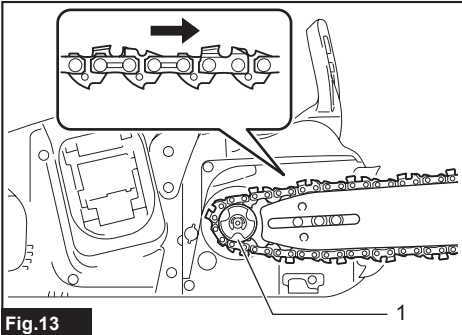


Fig.13

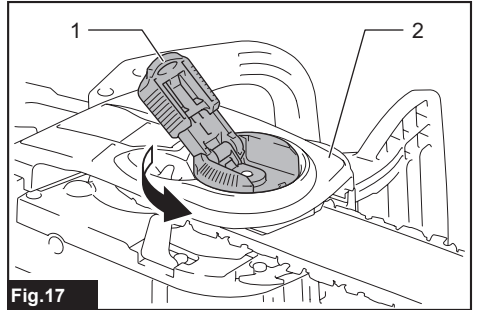


Fig.17

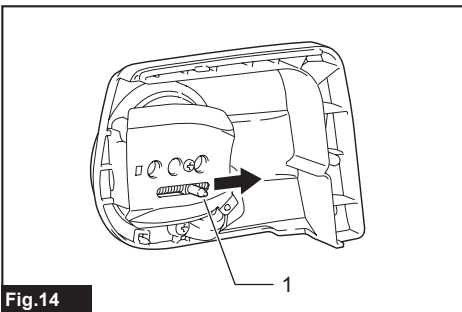


Fig.14

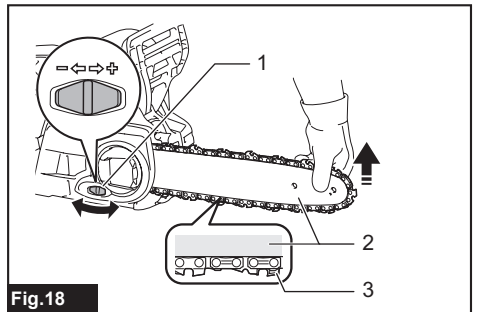


Fig.18

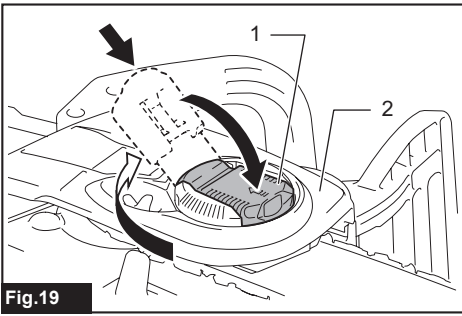


Fig.19

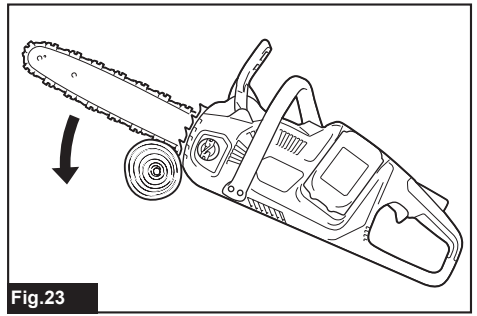


Fig.23

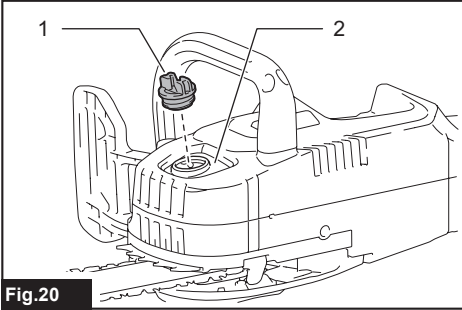


Fig.20

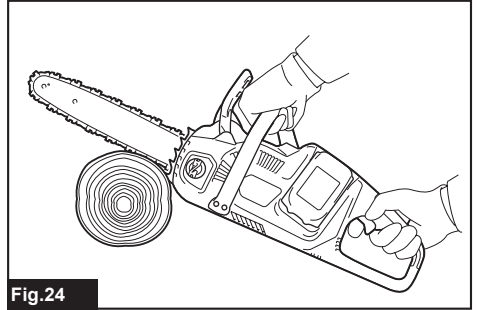


Fig.24

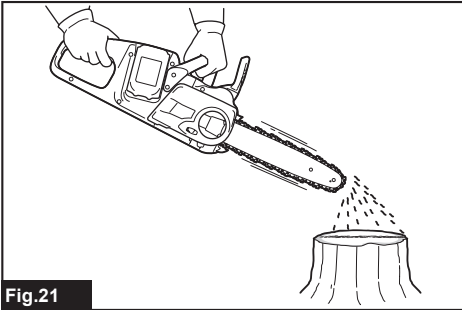


Fig.21

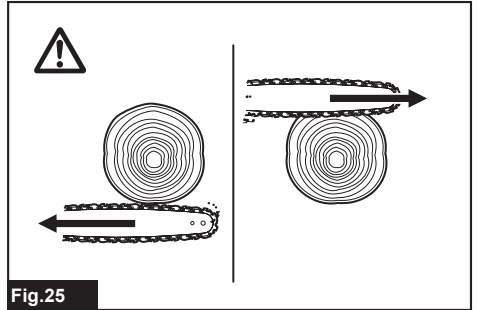


Fig.25

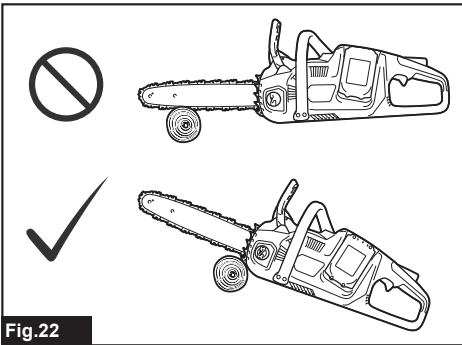


Fig.22

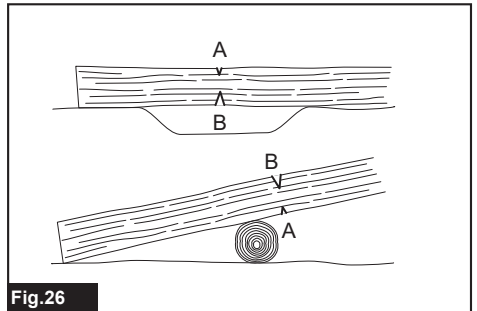


Fig.26

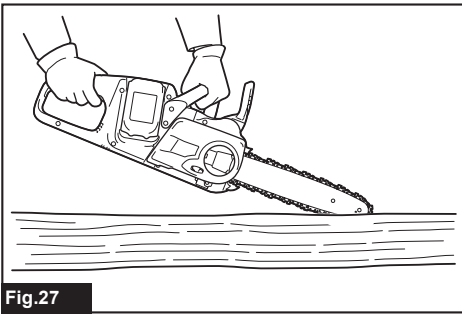


Fig.27

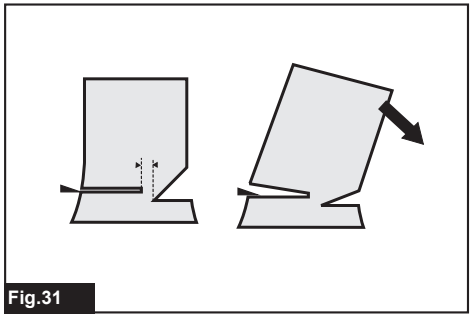


Fig.31

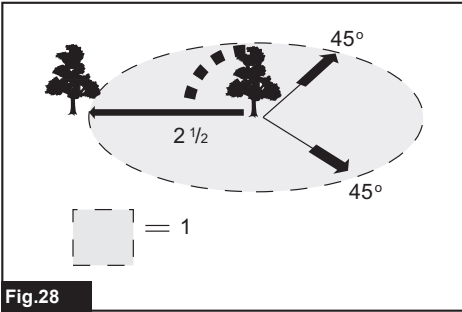


Fig.28

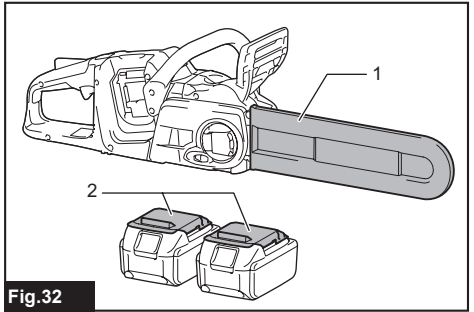


Fig.32

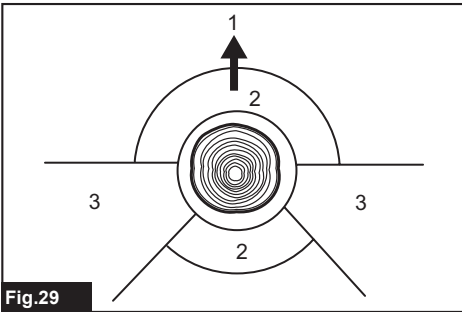


Fig.29

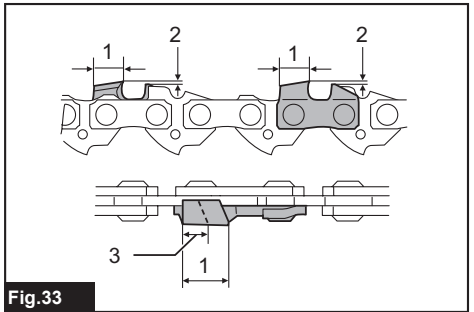


Fig.33

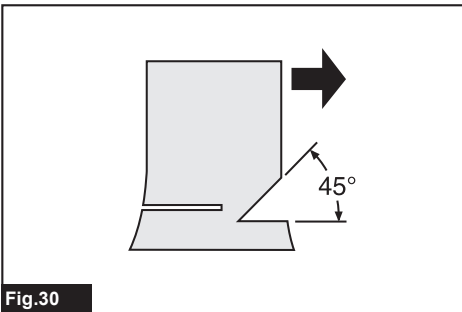


Fig.30

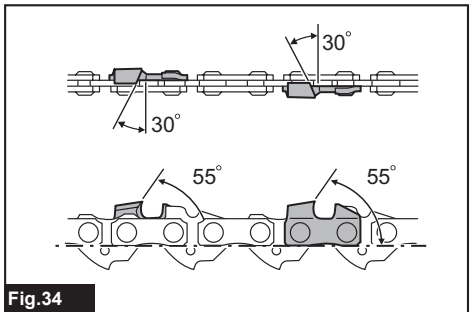


Fig.34

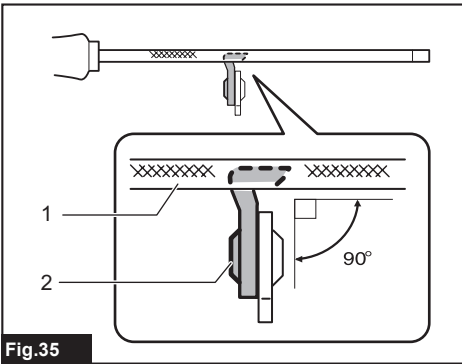


Fig. 35

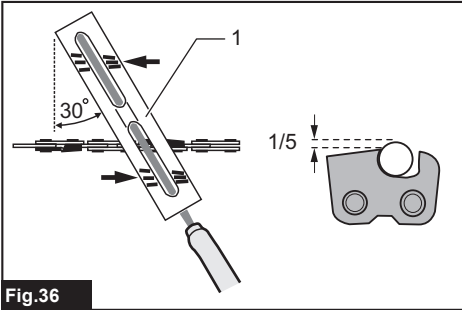


Fig. 36

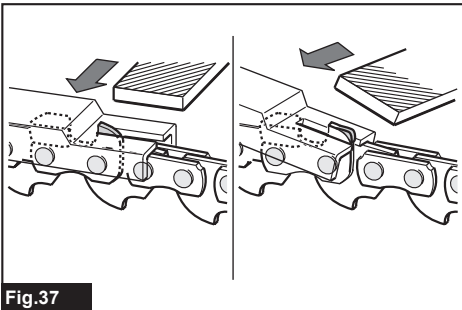


Fig. 37

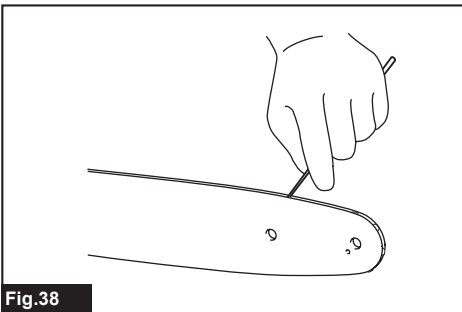


Fig. 38

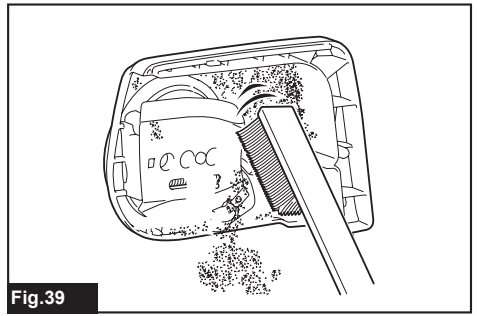


Fig. 39

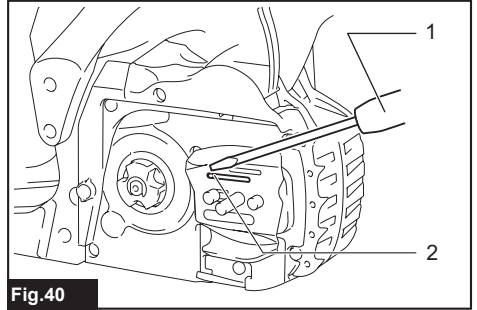


Fig. 40

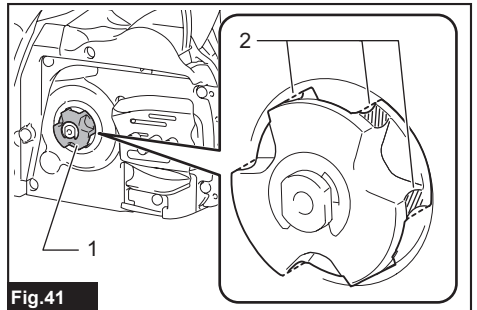


Fig. 41

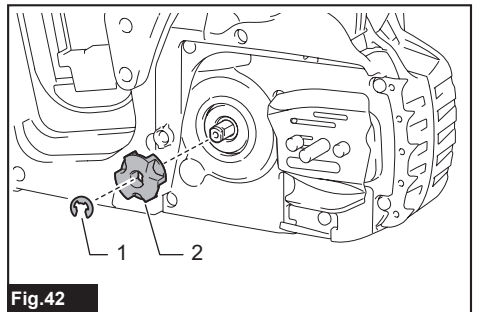


Fig. 42

# SPECIFICATIONS

Model:		DUC303	DUC353	DUC400
Overall length (without guide bar)		443 mm		
Rated voltage		D.C. 36 V		
Standard battery cartridge		BL1815N, BL1820, BL1820B, BL1830, BL1830B, BL1840, BL1840B, BL1850, BL1850B, BL1860B		
Net weight (when using BL1815N)	with 90PX	4.6 kg	4.7 kg	4.8 kg
	with 91PX	4.7 kg	4.8 kg	4.9 kg
Standard guide bar length		300 mm	350 mm	400 mm
Recommended guide bar length		300 - 400 mm		
Applicable saw chain type (refer to the table below)		90PX 91PX		
Sprocket	Number of teeth	6		
	Pitch	3/8"		
Chain speed		0 - 20 m/s (0 - 1,200 m/min)		
Chain oil tank volume		200 cm <sup>3</sup>		

## Saw chain and guide bar

Saw chain type		90PX		
Number of drive links		46	52	56
Guide bar	Guide bar length	300 mm	350 mm	400 mm
	Cutting length	280 mm	330 mm	375 mm
	Pitch	3/8"		
	Gauge	1.1 mm		
	Type	Sprocket nose bar		

Saw chain type		91PX		
Number of drive links		46	52	56
Guide bar	Guide bar length	300 mm	350 mm	400 mm
	Cutting length	280 mm	330 mm	375 mm
	Pitch	3/8"		
	Gauge	1.3 mm		
	Type	Sprocket nose bar		

- Due to our continuing program of research and development, the specifications herein are subject to change without notice.
- Specifications and battery cartridge may differ from country to country.
- Weight, with battery cartridge, according to EPTA-Procedure 01/2003

**⚠ WARNING:** Use appropriate combination of the guide bar and saw chain. Otherwise personal injury may result.

## Symbols

The following show the symbols used for the equipment. Be sure that you understand their meaning before use.

	Read instruction manual.		Wear ear protection.
	Wear safety glasses.		Wear a helmet, goggles and ear protection.
			Use appropriate protection for foot-leg and hand-arm.
			Do not expose to moisture.





Maximum permissible cut length



Direction of chain travel



Saw chain oil adjustment



Cd  
Ni-MH  
Li-ion

Only for EU countries

Do not dispose of electric equipment or battery pack together with household waste material! In observance of the European Directives, on Waste Electric and Electronic Equipment and Batteries and Accumulators and Waste Batteries and Accumulators and their implementation in accordance with national laws, electric equipment and batteries and battery pack(s) that have reached the end of their life must be collected separately and returned to an environmentally compatible recycling facility.

## Intended use

This chain saw is intended for sawing wood.

## Noise

The typical A-weighted noise level determined according to EN60745:

### Model DUC303

Sound pressure level ( $L_{pA}$ ): 87.7 dB(A)

Sound power level ( $L_{WA}$ ): 100.4 dB (A)

Uncertainty (K): 2 dB(A)

### Model DUC353

Sound pressure level ( $L_{pA}$ ): 87.7 dB(A)

Sound power level ( $L_{WA}$ ): 100.4 dB (A)

Uncertainty (K): 2 dB(A)

**WARNING: Wear ear protection.**

## Vibration

The vibration total value (tri-axial vector sum) determined according to EN60745:

### Model DUC303

Work mode: cutting wood

Vibration emission ( $a_{h,W}$ ): 5.3 m/s<sup>2</sup>

Uncertainty (K): 1.5 m/s<sup>2</sup>

### Model DUC353

Work mode: cutting wood

Vibration emission ( $a_{h,W}$ ): 5.3 m/s<sup>2</sup>

Uncertainty (K): 1.5 m/s<sup>2</sup>

**NOTE:** The declared vibration emission value has been measured in accordance with the standard test method and may be used for comparing one tool with another.

**NOTE:** The declared vibration emission value may also be used in a preliminary assessment of exposure.

**WARNING:** The vibration emission during actual use of the power tool can differ from the declared emission value depending on the ways in which the tool is used.

**WARNING:** Be sure to identify safety measures to protect the operator that are based on an estimation of exposure in the actual conditions of use (taking account of all parts of the operating cycle such as the times when the tool is switched off and when it is running idle in addition to the trigger time).

## EC Declaration of Conformity

### For European countries only

The EC declaration of conformity is included as Annex A to this instruction manual.

## SAFETY WARNINGS

### General power tool safety warnings

**WARNING:** Read all safety warnings, instructions, illustrations and specifications provided with this power tool. Failure to follow all instructions listed below may result in electric shock, fire and/or serious injury.

### Save all warnings and instructions for future reference.

The term "power tool" in the warnings refers to your mains-operated (corded) power tool or battery-operated (cordless) power tool.

### Cordless Chain saw safety warnings

- Keep all parts of the body away from the saw chain when the chain saw is operating. Before you start the chain saw, make sure the saw chain is not contacting anything.** A moment of inattention while operating chain saws may cause entanglement of your clothing or body with the saw chain.
- Always hold the chain saw with your right hand on the rear handle and your left hand on the front handle.** Holding the chain saw with a reversed hand configuration increases the risk of personal injury and should never be done.
- Hold the power tool by insulated gripping surfaces only, because the saw chain may contact hidden wiring.** Saw chains contacting a "live" wire may make exposed metal parts of the power tool "live" and could give the operator an electric shock.
- Wear safety glasses and hearing protection.** Further protective equipment for head, hands, legs and feet is recommended. Adequate protective clothing will reduce personal injury by flying debris or accidental contact with the saw chain.
- Do not operate a chain saw in a tree.** Operation of a chain saw while up in a tree may result in personal injury.
- Always keep proper footing and operate the chain saw only when standing on fixed, secure and level surface.** Slippery or unstable surfaces such as ladders may cause a loss of balance or control of the chain saw.
- When cutting a limb that is under tension be alert for spring back.** When the tension in the wood fibres is released the spring loaded limb may strike the operator and/or throw the chain saw out of control.
- Use extreme caution when cutting brush and saplings.** The slender material may catch the saw chain and be whipped toward you or pull you off balance.
- Carry the chain saw by the front handle with the chain saw switched off and away from your body. When transporting or storing the chain saw always fit the guide bar cover.** Proper handling of the chain saw will reduce the likelihood of accidental contact with the moving saw chain.

10. **Follow instructions for lubricating, chain tensioning and changing accessories.** Improperly tensioned or lubricated chain may either break or increase the chance for kickback.
11. **Keep handles dry, clean, and free from oil and grease.** Greasy, oily handles are slippery causing loss of control.
12. **Cut wood only. Do not use chain saw for purposes not intended.** For example: do not use chain saw for cutting plastic, masonry or non-wood building materials. Use of the chain saw for operations different than intended could result in a hazardous situation.
13. **Causes and operator prevention of kickback:** Kickback may occur when the nose or tip of the guide bar touches an object, or when the wood closes in and pinches the saw chain in the cut. Tip contact in some cases may cause a sudden reverse reaction, kicking the guide bar up and back towards the operator. Pinching the saw chain along the top of the guide bar may push the guide bar rapidly back towards the operator. Either of these reactions may cause you to lose control of the saw which could result in serious personal injury. Do not rely exclusively upon the safety devices built into your saw. As a chain saw user, you should take several steps to keep your cutting jobs free from accident or injury. Kickback is the result of tool misuse and/or incorrect operating procedures or conditions and can be avoided by taking proper precautions as given below:
  - Maintain a firm grip, with thumbs and fingers encircling the chain saw handles, with both hands on the saw and position your body and arm to allow you to resist kickback forces. Kickback forces can be controlled by the operator, if proper precautions are taken. Do not let go of the chain saw.

► **Fig.1**

- Do not overreach and do not cut above shoulder height. This helps prevent unintended tip contact and enables better control of the chain saw in unexpected situations.
  - Only use replacement bars and chains specified by the manufacturer. Incorrect replacement bars and chains may cause chain breakage and/or kickback.
  - Follow the manufacturer's sharpening and maintenance instructions for the saw chain. Decreasing the depth gauge height can lead to increased kickback.
14. **Before starting work, check that the chain saw is in proper working order and that its condition complies with the safety regulations. Check in particular that:**
    - The chain brake is working properly;
    - The run-down brake is working properly;
    - The bar and the sprocket cover are fitted correctly;
    - The chain has been sharpened and tensioned in accordance with the regulations.
  15. **Do not start the chain saw with the chain cover being installed on it.** Starting the chain saw with the chain cover being installed on it may cause the chain cover to be thrown out forward resulting in personal injury and damage to objects around the operator.

**SAVE THESE INSTRUCTIONS.**

**⚠WARNING:** DO NOT let comfort or familiarity with product (gained from repeated use) replace strict adherence to safety rules for the subject product. MISUSE or failure to follow the safety rules stated in this instruction manual may cause serious personal injury.

**Important safety instructions for battery cartridge**

1. **Before using battery cartridge, read all instructions and cautionary markings on (1) battery charger, (2) battery, and (3) product using battery.**
2. **Do not disassemble battery cartridge.**
3. **If operating time has become excessively shorter, stop operating immediately. It may result in a risk of overheating, possible burns and even an explosion.**
4. **If electrolyte gets into your eyes, rinse them out with clear water and seek medical attention right away. It may result in loss of your eyesight.**
5. **Do not short the battery cartridge:**
  - (1) **Do not touch the terminals with any conductive material.**
  - (2) **Avoid storing battery cartridge in a container with other metal objects such as nails, coins, etc.**
  - (3) **Do not expose battery cartridge to water or rain.**

**A battery short can cause a large current flow, overheating, possible burns and even a breakdown.**
6. **Do not store the tool and battery cartridge in locations where the temperature may reach or exceed 50 °C (122 °F).**
7. **Do not incinerate the battery cartridge even if it is severely damaged or is completely worn out. The battery cartridge can explode in a fire.**
8. **Be careful not to drop or strike battery.**
9. **Do not use a damaged battery.**
10. **The contained lithium-ion batteries are subject to the Dangerous Goods Legislation requirements.**

For commercial transports e.g. by third parties, forwarding agents, special requirement on packaging and labeling must be observed. For preparation of the item being shipped, consulting an expert for hazardous material is required. Please also observe possibly more detailed national regulations.

Tape or mask off open contacts and pack up the battery in such a manner that it cannot move around in the packaging.
11. **Follow your local regulations relating to disposal of battery.**

**SAVE THESE INSTRUCTIONS.**

**⚠CAUTION:** Only use genuine Makita batteries. Use of non-genuine Makita batteries, or batteries that have been altered, may result in the battery bursting causing fires, personal injury and damage. It will also void the Makita warranty for the Makita tool and charger.

## Tips for maintaining maximum battery life

1. Charge the battery cartridge before completely discharged. Always stop tool operation and charge the battery cartridge when you notice less tool power.
2. Never recharge a fully charged battery cartridge. Overcharging shortens the battery service life.

3. Charge the battery cartridge with room temperature at 10 °C - 40 °C (50 °F - 104 °F). Let a hot battery cartridge cool down before charging it.
4. Charge the battery cartridge if you do not use it for a long period (more than six months).

► Fig.2

1	Battery cartridge	2	Front hand guard	3	Guide bar
4	Saw chain	5	Lever	6	Adjusting dial
7	Check button	8	Capacity indicator	9	Main power lamp
10	Main power switch	11	Lock-off lever	12	Rear handle
13	Switch trigger	14	Front handle	15	Oil tank cap
16	Chain catcher	17	Adjusting screw (for oil pump)	18	Guide bar cover

## PARTS DESCRIPTION

### FUNCTIONAL DESCRIPTION

**CAUTION:** Always be sure that the tool is switched off and the battery cartridge is removed before adjusting or checking function on the tool.

### Installing or removing battery cartridge

**CAUTION:** Always switch off the tool before installing or removing of the battery cartridge.

**CAUTION:** Hold the tool and the battery cartridge firmly when installing or removing battery cartridge. Failure to hold the tool and the battery cartridge firmly may cause them to slip off your hands and result in damage to the tool and battery cartridge and a personal injury.

► Fig.3: 1. Red indicator 2. Button 3. Battery cartridge

To remove the battery cartridge, slide it from the tool while sliding the button on the front of the cartridge.

To install the battery cartridge, align the tongue on the battery cartridge with the groove in the housing and slip it into place. Insert it all the way until it locks in place with a little click. If you can see the red indicator on the upper side of the button, it is not locked completely.

**CAUTION:** Always install the battery cartridge fully until the red indicator cannot be seen. If not, it may accidentally fall out of the tool, causing injury to you or someone around you.

**CAUTION:** Do not install the battery cartridge forcibly. If the cartridge does not slide in easily, it is not being inserted correctly.

**NOTE:** The tool does not work with only one battery cartridge.

**NOTE:** Pay attention to the position of your fingers when installing the battery. The button will be depressed unintentionally.

### Tool / battery protection system





The tool is equipped with a tool/battery protection system. This system automatically cuts off power to the motor to extend tool and battery life. The tool will automatically stop during operation if the tool or battery is placed under one of the following conditions.

#### Overload protection

When the tool is operated in a manner that causes it to draw an abnormally high current, the tool automatically stops and the main power lamp will blink. In this situation, turn the tool off and stop the application that caused the tool to become overloaded. Then turn the tool on to restart.

#### Overheat protection

When the tool is overheated, the tool automatically stops and the capacity indicator lamp will blink as illustrated. In this situation, let the tool cool down before turning the tool on again.

Capacity indicator status			Status
On	Off	Blinking	
			Overheated.
			

#### Overdischarge protection

When the battery capacity becomes low, the tool stops automatically. If the product does not operate even when the switches are operated, remove the batteries from the tool and charge the batteries.

## Indicating the remaining battery capacity

► Fig.4: 1. Check button 2. Capacity indicator

The remaining battery capacity is shown while you are pressing the check button. The capacity indicators correspond to each battery.

Capacity indicator status			Remaining battery capacity
On	Off	Blinking	
			50% to 100%
			20% to 50%
			0% to 20%
			Charge the battery

## Indicating the remaining battery capacity

Only for battery cartridges with the indicator

► Fig.5: 1. Indicator lamps 2. Check button

Press the check button on the battery cartridge to indicate the remaining battery capacity. The indicator lamps light up for few seconds.

Indicator lamps			Remaining capacity
Lighted	Off	Blinking	
			75% to 100%
			50% to 75%
			25% to 50%
			0% to 25%
			Charge the battery.
			The battery may have malfunctioned.

**NOTE:** Depending on the conditions of use and the ambient temperature, the indication may differ slightly from the actual capacity.

## Main power switch

**⚠ WARNING:** Always turn off the main power switch when not in use.

To stand by the chain saw, press the main power switch until the main power lamp lights up. To turn off, press the main power switch again.

► Fig.6: 1. Main power switch

**NOTE:** The main power lamp blinks if the switch trigger is pulled under unoperable conditions. The lamp blinks if you

- turn on the main power switch while holding down the lock-off lever and the switch trigger;
- pull the switch trigger while the chain brake is applied;
- release the chain brake while holding down the lock-off lever and pulling the switch trigger.

**NOTE:** This chain saw employs the auto power-off function. To avoid unintentional start up, the main power switch will automatically shut down when the switch trigger is not pulled for a certain period after the main power switch is turned on.

## Switch action

**⚠ WARNING:** For your safety, this tool is equipped with lock-off lever which prevents the tool from unintended starting. NEVER use the tool if it runs when you simply pull the switch trigger without pressing the lock-off lever. Return the tool to our authorized service center for proper repairs BEFORE further usage.

**⚠ WARNING:** NEVER tape down or defeat purpose and function of lock-off lever.

**⚠ CAUTION:** Before installing the battery cartridge into the tool, always check to see that the switch trigger actuates properly and returns to the "OFF" position when released.

**NOTICE:** Do not pull the switch trigger hard without pressing the lock-off lever. This can cause switch breakage.

To prevent the switch trigger from being accidentally pulled, a lock-off lever is provided. To start the tool, depress the lock-off lever and pull the switch trigger. Release the switch trigger to stop.

► Fig.7: 1. Switch trigger 2. Lock-off lever

## Checking the chain brake

**⚠ CAUTION:** Hold the chain saw with both hands when switching it on. Hold the rear handle with your right hand, the front handle with your left. The bar and the chain must not be in contact with any object.

**⚠ CAUTION:** Should the saw chain not stop immediately when this test is performed, the saw may not be used under any circumstances. Consult our authorized service center.

1. Press the lock-off lever, then pull the switch trigger. The saw chain starts immediately.
2. Push the front hand guard forwards with the back of your hand. Make sure that the chain saw comes to an immediate standstill.

► **Fig.8:** 1. Front hand guard 2. Unlocked position  
3. Locked position

## Checking the run-down brake

**⚠ CAUTION:** If the saw chain does not stop within one second in this test, stop using the chain saw and consult our authorized service center.

Run the chain saw then release the switch trigger completely. The saw chain must come to a standstill within one second.

## Adjusting the chain lubrication

You can adjust the oil pump feed rate with the adjusting screw. The amount of oil can be adjusted using the universal wrench.

► **Fig.9:** 1. Adjusting screw

## ASSEMBLY

**⚠ CAUTION:** Always be sure that the tool is switched off and the battery cartridge is removed before carrying out any work on the tool.

**⚠ CAUTION:** Do not touch the saw chain with bare hands. Always wear gloves when handling the saw chain.

## Removing or installing saw chain

**⚠ CAUTION:** The saw chain and the guide bar are still hot just after the operation. Let them cool down enough before carrying out any work on the tool.

To remove the saw chain, perform the following steps:

1. Pull the lever up while pressing its edge.  
► **Fig.10:** 1. Lever
2. Turn the adjusting dial to "-" direction to release the saw chain tension.  
► **Fig.11:** 1. Adjusting dial

3. Turn the lever counterclockwise until the sprocket cover comes off.

► **Fig.12:** 1. Lever 2. Sprocket cover

4. Remove the sprocket cover then remove the saw chain and guide bar from the chain saw body.

To install the saw chain, perform the following steps:

1. Make sure the direction of the chain. The arrow mark on the chain shows the direction of the chain.

2. Fit in one end of the saw chain on the top of the guide bar and the other end around the sprocket.

► **Fig.13:** 1. Sprocket

3. Rest the guide bar in place on the chain saw.

4. Turn the adjusting dial to "-" direction to slide the adjusting pin in the direction of arrow.

► **Fig.14:** 1. Adjusting pin

5. Place the sprocket cover on the chain saw so that the adjusting pin is positioned in a small hole on the guide bar.

► **Fig.15:** 1. Sprocket cover 2. Guide bar 3. Hole

6. Turn the lever clockwise fully and a quarter turn back to keep looseness for adjusting the chain tension.

7. Turn the adjusting dial to adjust the chain tension.

8. Turn the lever clockwise until the sprocket cover is secured then return it to the original position.

► **Fig.16:** 1. Lever 2. Sprocket cover

## Adjusting saw chain tension

**⚠ CAUTION:** Carry out the procedure of installing or removing saw chain in a clean place free from sawdust and the like.

**⚠ CAUTION:** Do not tighten the saw chain too much. Excessively high tension of saw chain may cause breakage of saw chain, wear of the guide bar and breakage of the adjusting dial.

**⚠ CAUTION:** A chain which is too loose can jump off the bar and it may cause an injury accident.

The saw chain may become loose after many hours of use. From time to time check the saw chain tension before use.

1. Press and fully open the lever until it clicks. Turn it counterclockwise a little to loosen sprocket cover lightly.

► **Fig.17:** 1. Lever 2. Sprocket cover

2. Lift up the guide bar tip slightly and adjust the chain tension. Turn the adjusting dial to the "-" direction to loosen, turn to the "+" direction to tighten. Tighten the saw chain until the lower side of the saw chain fits in the guide bar rail as illustrated.

► **Fig.18:** 1. Adjusting dial 2. Guide bar 3. Saw chain

3. Keep holding the guide bar lightly and tighten the sprocket cover. Make sure that the saw chain does not loose at the lower side.

4. Return the lever to the original position.

► **Fig.19:** 1. Lever 2. Sprocket cover

Make sure the saw chain fits snugly against the lower side of the bar.

# OPERATION

## Lubrication

Saw chain is automatically lubricated when the tool is in operation. Check the amount of remaining oil in the oil tank periodically.

To refill the tank, lay the chain saw on its side and remove the oil tank cap. The proper amount of oil is 200 ml. After refilling the tank, make sure that the oil tank cap is tightened securely.

► **Fig.20:** 1. Oil tank cap 2. Oil tank (translucent)

After refilling, hold the chain saw away from the tree. Start it and wait until lubrication on saw chain is adequate.

► **Fig.21**

**NOTICE:** When filling the chain oil for the first time, or refilling the tank after it has been completely emptied, add oil up to the bottom edge of the filler neck. The oil delivery may otherwise be impaired.

**NOTICE:** Use the saw chain oil exclusively for Makita chain saws or equivalent oil available in the market.

**NOTICE:** Never use oil including dust and particles or volatile oil.

**NOTICE:** When pruning trees, use botanical oil. Mineral oil may harm trees.

**NOTICE:** Before the cutting operation, make sure that the provided oil tank cap is screwed in place.

## WORKING WITH THE CHAIN SAW

**CAUTION:** The first time user should, as a minimum practice, do cutting logs on a saw-horse or cradle.

**CAUTION:** When sawing pre-cut timber, use a safe support (saw horse or cradle). Do not steady the workpiece with your foot, and do not allow anyone else to hold or steady it.

**CAUTION:** Secure round pieces against rotation.

**CAUTION:** Keep all parts of the body away from the saw chain when the motor is operating.

**CAUTION:** Hold the chain saw firmly with both hands when the motor is running.

**CAUTION:** Do not overreach. Keep proper footing and balance at all times.

**NOTICE:** Never toss or drop the tool.

**NOTICE:** Do not cover the vents of the tool.

Bring the bottom edge of the chain saw body into contact with the branch to be cut before switching on. Otherwise it may cause the guide bar to wobble, resulting in injury to operator. Saw the wood to be cut by just moving it down by using the weight of the chain saw.

► **Fig.22**

If you cannot cut the timber right through with a single stroke: Apply light pressure to the handle and continue sawing and draw the chain saw back a little; then apply the spike bumper a little lower and finish the cut by raising the handle.

► **Fig.23**

## Bucking

1. Rest the bottom edge of the chain saw body on the wood to be cut.

► **Fig.24**

2. With the saw chain running, saw into the wood while using the rear handle to raise the saw and the front one to guide it. Use the spike bumper as a pivot.

3. Continue the cut by applying slight pressure to the front handle, easing the saw back slightly. Move the spike bumper further down the timber and raise the front handle again.

**NOTICE:** When making several cuts, switch the chain saw off between cuts.

**CAUTION:** If the upper edge of the bar is used for cutting, the chain saw may be deflected in your direction if the chain becomes trapped. For this reason, cut with the lower edge, so that the saw will be deflected away from your body.

► **Fig.25**

When you cut a wood under tension, cut the pressured side (A) first. Then make the final cut from the tensioned side (B). This prevents the bar from becoming trapped.

► **Fig.26**

## Limbing

**CAUTION:** Limbing may only be performed by trained persons. A hazard is presented by the risk of kickback.

When limbing, support the chain saw on the trunk if possible. Do not cut with the tip of the bar, as this presents a risk of kickback.

Pay particular attention to branches under tension. Do not cut unsupported branches from below.

Do not stand on the felled trunk when limbing.

## Burrowing and parallel-to-grain cuts

**CAUTION:** Burrowing and parallel-to-grain cuts may only be carried out by persons with special training. The possibility of kickback presents a risk of injury.

Perform parallel-to-grain cuts at as shallow an angle as possible. Take an extra caution when carrying out the cut as the spike bumper cannot be used.

► **Fig.27**

## Felling

**CAUTION:** Felling work may only be performed by trained persons. The work is hazardous.

Observe local regulations if you wish to fell a tree.

► **Fig.28:** 1. Felling area

- Before starting felling work, ensure that:
  - Only persons involved in the felling operation are in the vicinity;
  - Any person involved has an unhindered path of retreat through a range of approximately 45° either side of the felling axis. Consider the additional risk of tripping over electrical cables;
  - The base of the trunk is free of foreign objects, roots and stumps;
  - No persons or objects are present over a distance of 2 1/2 tree lengths in the direction in which the tree will fall.
- Consider the following with respect to each tree:
  - Direction of lean;
  - Loose or dry branches;
  - Height of the tree;
  - Natural overhang;
  - Whether or not the tree is rotten.
- Consider the wind speed and direction. Do not carry out felling work if the wind is gusting strongly.
- Trimming of root swellings: Begin with the largest swellings. Make the vertical cut first, then the horizontal cut.
- Stand to the side of the falling tree. Keep an area clear to the rear of the falling tree up to an angle of 45° either side of the tree axis (refer to the "felling area" figure). Pay attention to falling branches.
- An escape path should be planned and cleared as necessary before cuts are started. The escape path should extend back and diagonally to the rear of the expected line of fall as illustrated in figure.

► **Fig.29:** 1. Felling direction 2. Danger zone 3. Escape route

When felling trees, follow the procedures below:

1. Cut a scarf as close to the ground as possible. First make the horizontal cut to a depth of 1/5 - 1/3 of the trunk diameter. Do not make the scarf too large. Then make the diagonal cut.

► **Fig.30**

**NOTE:** The scarf determines the direction in which the tree will fall, and guides it. It is made on the side towards which the tree is to fall.

2. Make the back cut a little higher than the base cut of the scarf. The back cut must be exactly horizontal. Leave approximately 1/10 of the trunk diameter between the back cut and the scarf. The wood fibers in the uncut trunk portion act as a hinge. Insert wedges into the back cut in time.

► **Fig.31**

**WARNING:** Do not cut right through the fibers under any circumstances. The tree will otherwise fall unchecked.

**NOTICE:** Only plastic or aluminum wedges may be used to keep the back cut open. The use of iron wedges is prohibited.

## Carrying tool

Before carrying the tool, always apply the chain brake and remove the battery cartridges from the tool. Then attach the guide bar cover. Also cover the battery cartridge with the battery cover.

► **Fig.32:** 1. Guide bar cover 2. Battery cover

## MAINTENANCE

**CAUTION:** Always be sure that the tool is switched off and the battery cartridge is removed before attempting to perform inspection or maintenance.

**CAUTION:** Always wear gloves when performing any inspection or maintenance.

**NOTICE:** Never use gasoline, benzine, thinner, alcohol or the like. Discoloration, deformation or cracks may result.

## Sharpening the saw chain

Sharpen the saw chain when:

- Mealy sawdust is produced when damp wood is cut;
- The chain penetrates the wood with difficulty, even when heavy pressure is applied;
- The cutting edge is obviously damaged;
- The saw pulls to the left or right in the wood. (caused by uneven sharpening of the saw chain or damage to one side only)

Sharpen the saw chain frequently but a little each time. Two or three strokes with a file are usually sufficient for routine resharpening. When the saw chain has been resharpened several times, have it sharpened in our authorized service center.

Sharpening criteria:

**WARNING:** An excessive distance between the cutting edge and depth gauge increases the risk of kickback.

► **Fig.33:** 1. Cutter length 2. Distance between cutting edge and depth gauge 3. Minimum cutter length (3 mm)

- All cutter length must be equal. Different cutter lengths prevent the saw chain from running smoothly and may cause the saw chain to break.
- Do not sharpen the chain when the cutter length has reached 3 mm or shorter. The chain must be replaced with new one.
- The chip thickness is determined by the distance between the depth gauge (round nose) and the cutting edge.
- The best cutting results are obtained with following distance between cutting edge and depth gauge.
  - Chain blade 90PX : 0.65 mm (0.025")
  - Chain blade 91PX : 0.65 mm (0.025")

► **Fig.34**

- The sharpening angle of 30° must be the same on all cutters. Different cutter angles cause the chain to run roughly and unevenly, accelerate wear, and lead to chain breaks.
- Use a suitable round file so that the proper sharpening angle is kept against the teeth.
  - Chain blade 90PX : 55°
  - Chain blade 91PX : 55°

#### File and file guiding

- Use a special round file (optional accessory) for saw chains to sharpen the chain. Normal round files are not suitable.
- Diameter of the round file for each saw chain is as follows:
  - Chain blade 90PX : 4.5 mm (3/16")
  - Chain blade 91PX : 4.0 mm (5/32")
- The file should only engage the cutter on the forward stroke. Lift the file off the cutter on the return stroke.
- Sharpen the shortest cutter first. Then the length of this shortest cutter becomes the standard for all other cutters on the saw chain.
- Guide the file as shown in the figure.
  - ▶ **Fig.35:** 1. File 2. Saw chain
- The file can be guided more easily if a file holder (optional accessory) is employed. The file holder has markings for the correct sharpening angle of 30° (align the markings parallel to the saw chain) and limits the depth of penetration (to 4/5 of the file diameter).
  - ▶ **Fig.36:** 1. File holder
- After sharpening the chain, check the height of the depth gauge using the chain gauge tool (optional accessory).
  - ▶ **Fig.37**
- Remove any projecting material, however small, with a special flat file (optional accessory).
- Round off the front of the depth gauge again.

### Cleaning the guide bar

Chips and sawdust will build up in the guide bar groove. They may clog the bar groove and impair the oil flow. Clean out the chips and sawdust every time when you sharpen or replace the saw chain.

▶ **Fig.38**

### Cleaning the sprocket cover

Chips and saw dust will accumulate inside of the sprocket cover. Remove the sprocket cover and saw chain from the tool then clean the chips and saw dust.

▶ **Fig.39**

### Cleaning the oil discharge hole

Small dust or particles may be built up in the oil discharge hole during operation. These dust or particles may impair the oil to flow and cause an insufficient lubrication on the whole saw chain. When a poor chain oil delivery occurs at the top of guide bar, clean the oil discharge hole as follows.

1. Remove the sprocket cover and saw chain from the tool.
2. Remove the small dust or particles using a slotted screwdriver with a slender shaft or the like.
  - ▶ **Fig.40:** 1. Slotted screwdriver 2. Oil discharge hole
3. Insert the battery cartridge into the tool. Pull the switch trigger to flow built-up dust or particles off the oil discharge hole by discharging chain oil.
4. Remove the battery cartridge from the tool. Reinstall the sprocket cover and saw chain on the tool.

### Replacing the sprocket

**CAUTION:** A worn sprocket will damage a new saw chain. Have the sprocket replaced in this case.

Before fitting a new saw chain, check the condition of the sprocket.

▶ **Fig.41:** 1. Sprocket 2. Areas to be worn out

Always fit a new locking ring when replacing the sprocket.

▶ **Fig.42:** 1. Locking ring 2. Sprocket

**NOTICE:** Make sure that the sprocket is installed as shown in the figure.

### Storing the tool

1. Clean the tool before storing. Remove any chips and sawdust from the tool after removing the sprocket cover.
2. After cleaning the tool, run it under no load to lubricate the saw chain and guide bar.
3. Cover the guide bar with the guide bar cover.
4. Empty the oil tank.



## Instructions for periodic maintenance

To ensure long life, prevent damage and ensure the full functioning of the safety features, the following maintenance must be performed regularly. Warranty claims can be recognized only if this work is performed regularly and properly. Failure to perform the prescribed maintenance work can lead to accidents! The user of the chain saw must not perform maintenance work which is not described in the instruction manual. All such work must be carried out by our authorized service center.

Check item / Operating time		Before operation	Everyday	Every week	Every 3 month	Annually	Before storage
Chain saw	Inspection.	✓	-	-	-	-	-
	Cleaning.	-	✓	-	-	-	-
	Check at authorized service center.	-	-	-	-	✓	✓
Saw chain	Inspection.	✓	-	-	-	-	-
	Sharpening if necessary.	-	-	-	-	-	✓
Guide bar	Inspection.	✓	✓	-	-	-	-
	Remove from the chain saw.	-	-	-	-	-	✓
Chain brake	Check the function.	✓	-	-	-	-	-
	Have it inspected regularly at authorized service center.	-	-	-	✓	-	-
Chain lubrication	Check the oil feed rate.	✓	-	-	-	-	-
Switch trigger	Inspection.	✓	-	-	-	-	-
Lock-off lever	Inspection.	✓	-	-	-	-	-
Oil tank cap	Check tightness.	✓	-	-	-	-	-
Chain catcher	Inspection.	-	-	✓	-	-	-
Screws and nuts	Inspection.	-	-	✓	-	-	-

To maintain product SAFETY and RELIABILITY, repairs, any other maintenance or adjustment should be performed by Makita Authorized or Factory Service Centers, always using Makita replacement parts.

# TROUBLESHOOTING

Before asking for repairs, conduct your own inspection first. If you find a problem that is not explained in the manual, do not attempt to dismantle the tool. Instead, ask Makita Authorized Service Centers, always using Makita replacement parts for repairs.

Malfunztion status	Cause	Action
The chain saw does not start.	Two battery cartridges are not installed.	Install two charged battery cartridges.
	Battery problem (low voltage).	Recharge the battery cartridges. If recharging is not effective, replace the battery cartridge.
	Main power switch is off.	The chain saw is automatically turned off if it is un-operated for a certain period. Turn on the main power switch again.
The saw chain does not run.	Chain brake activated.	Release chain brake.
The motor stops running after a little use.	Battery's charge level is low.	Recharge the battery cartridges. If recharging is not effective, replace the battery cartridge.
No oil on the chain.	Oil tank is empty.	Fill the oil tank.
	Oil guide groove is dirty.	Clean the groove.
	Poor oil delivery.	Adjust the amount of oil delivery with the adjusting screw.
The chain saw does not reach maximum RPM.	Battery cartridge is installed improperly.	Install the battery cartridges as described in this manual.
	Battery power is dropping.	Recharge the battery cartridges. If recharging is not effective, replace the battery cartridge.
	The drive system does not work correctly.	Ask the authorized service center in your region for repair.
The main power lamp is blinking.	Switch trigger is pulled under an unoperable condition.	Pull the switch trigger after the main power switch is turned on and the chain brake is released.
Chain does not stop even the chain brake is activated: <b>Stop the machine immediately!</b>	The brake band is worn down.	Ask the authorized service center in your region for repair.
Abnormal vibration: <b>Stop the machine immediately!</b>	Loose guide bar or saw chain.	Adjust the guide bar and saw chain tension.
	Tool malfunction.	Ask the authorized service center in your region for repair.

## OPTIONAL ACCESSORIES

**CAUTION:** These accessories or attachments are recommended for use with your Makita tool specified in this manual. The use of any other accessories or attachments might present a risk of injury to persons. Only use accessory or attachment for its stated purpose.

If you need any assistance for more details regarding these accessories, ask your local Makita Service Center.

- Saw chain
- Guide bar
- Guide bar cover
- File
- Tool bag
- Makita genuine battery and charger

**WARNING:** If you purchase a guide bar of different length from the standard guide bar, also purchase a suitable guide bar cover together. It must fit and fully cover the guide bar on the chain saw.

**NOTE:** Some items in the list may be included in the tool package as standard accessories. They may differ from country to country.

## SPECIFIKATIONER

Modell:		DUC303	DUC353	DUC400
Total längd (utan svärd)		443 mm		
Märkspänning		36 V likström		
Standardbatterikassett		BL1815N, BL1820, BL1820B, BL1830, BL1830B, BL1840, BL1840B, BL1850, BL1850B, BL1860B		
Nettovikt (vid användning av BL1815N)	med 90PX	4,6 kg	4,7 kg	4,8 kg
	med 91PX	4,7 kg	4,8 kg	4,9 kg
Standard svärdlängd		300 mm	350 mm	400 mm
Rekommenderad svärdlängd		300 - 400 mm		
Applicerad sågkedjetyp (se tabellen nedan)		90PX 91PX		
Kedjehjul	Antal tänder	6		
	Vinkel	3/8°		
Kedjehastighet		0 - 20 m/s (0 - 1 200 m/min)		
Tankvolym kedjeolja		200 cm <sup>3</sup>		

### Sågkedja och svärd

Såpgkedjetyp		90PX		
Antal drivlänkar		46	52	56
Svärd	Svärdlängd	300 mm	350 mm	400 mm
	Såglängd	280 mm	330 mm	375 mm
	Vinkel	3/8°		
	Mätare	1,1 mm		
	Typ	Kuggdrev		

Såpgkedjetyp		91PX		
Antal drivlänkar		46	52	56
Svärd	Svärdlängd	300 mm	350 mm	400 mm
	Såglängd	280 mm	330 mm	375 mm
	Vinkel	3/8°		
	Mätare	1,3 mm		
	Typ	Kuggdrev		

- På grund av vårt pågående program för forskning och utveckling kan dessa specifikationer ändras utan föregående meddelande.
- Specifikationer och batterikassett kan variera mellan olika länder.
- Vikt, med batterikassett, i enlighet med EPTA-procedure 01/2003

**⚠ VARNING:** Använd en lämplig kombination av svärd och sågkedje. I annat fall kan personskada uppstå.

### Symboler

Följande visar symbolerna som används för utrustningen. Se till att du förstår innebörden innan du använder bormaskinen.



Läs igenom bruksanvisningen.



Använd skyddsglasögon.



Använd hörselskydd.







Använd hjälm, skyddsglasögon och hörselskydd.



Använd lämpliga skydd för fötterna/benen och händerna/armarna.



Utsätt inte verktyget för fukt.

	Maximal tillåten kapplängd
	Kedjans rotationsriktning
	Justering av kedjeolja
	Gäller endast inom EU Elektrisk utrustning eller batteripaket får inte kastas i hushållsavfallet! Enligt EU-direktiven som avser förbrukad elektrisk och elektronisk utrustning, batterier, ackumulatörer, förbrukade batterier och ackumulatörer, samt direktivens tillämpning enligt nationell lagstiftning, ska uttjänt elektrisk utrustning, batterier och batteripaket sorteras separat och lämnas till miljövänlig återvinning.

## Avsedd användning

Denna kedjesåg är endast avsedd för sågning i trä.

## Buller

Den normala bullernivån för A-belastning är bestämd enligt EN60745:

### Model DUC303

Ljudtrycksnivå ( $L_{pA}$ ): 87,7 dB (A)

Ljudeffektnivå ( $L_{WA}$ ): 100,4 dB (A)

Måttolerans (K): 2 dB (A)

### Model DUC353

Ljudtrycksnivå ( $L_{pA}$ ): 87,7 dB (A)

Ljudeffektnivå ( $L_{WA}$ ): 100,4 dB (A)

Måttolerans (K): 2 dB (A)

**⚠ VARNING:** Använd hörselskydd.

## Vibration

Det totala vibrationsvärdet (treaxlad vektorsumma) bestämt enligt EN60745:

### Model DUC303

Arbetsläge: sågning i trä

Vibrationsemission ( $a_{h,W}$ ): 5,3 m/s<sup>2</sup>

Måttolerans (K): 1,5 m/s<sup>2</sup>

### Model DUC353

Arbetsläge: sågning i trä

Vibrationsemission ( $a_{h,W}$ ): 5,3 m/s<sup>2</sup>

Måttolerans (K): 1,5 m/s<sup>2</sup>

**OBS:** Det deklarerade vibrationsemissionsvärdet har uppmätts i enlighet med standardtestmetoden och kan användas för att jämföra en maskin med en annan.

**OBS:** Det deklarerade vibrationsemissionsvärdet kan också användas i en preliminär bedömning av exponering för vibration.

**⚠ VARNING:** Vibrationsemissionen under faktisk användning av maskinen kan skilja sig från det deklarerade emissionsvärdet, beroende på hur maskinen används.

**⚠ VARNING:** Var noga med att identifiera säkerhetsåtgärder för att skydda användaren, vilka är grundade på en uppskattning av graden av exponering för vibrationer under de faktiska användningsförhållandena, (ta, förutom avtryckartiden, med alla delar av användarcykeln i beräkningen, som till exempel tiden då maskinen är avstängd och när den går på tomgång).

## EG-försäkringen om överensstämmelse

### Gäller endast inom EU

EG-försäkringen om överensstämmelse inkluderas som bilaga A till denna bruksanvisning.

## SÄKERHETSVARNINGAR

### Allmänna säkerhetsvarningar för maskiner

**⚠ VARNING:** Läs alla säkerhetsvarningar, anvisningar, illustrationer och specifikationer som medföljer det här maskinen. Underlåtenhet att följa instruktionerna kan leda till elstöt, brand och/eller allvarliga personskador.

### Spara alla varningar och instruktioner för framtida referens.

Termen "maskin" som anges i varningarna hänvisar till din eldrivna maskin (sladdansluten) eller batteridrivna maskin (sladdlös).

### Säkerhetsvarningar för batteridrivna kedjesåg

- Håll alla kroppsdelar borta från kedjesågen när den är igång. Se till att sågkedjan inte vidrör någonting innan du startar kedjesågen.** Ett ögonblick av uppmärksamhet medan du arbetar med kedjesågen kan leda till att kedjesågen kommer i kontakt med dina kläder eller med kroppen.
- Håll alltid kedjesågen med din högerhand på det bakre handtaget och din vänsterhand på det främre handtaget.** Om du håller i kedjesågen med händerna tvärtom ökar risken för personskador, vilket absolut inte får ske.
- Håll endast kedjesågen i de isolerade handtagen om det finns risk för att sågkedjan kan komma i kontakt med en dold elkabel.** Om sågkedjan kommer i kontakt med en strömförande ledning blir maskinens metalldelar strömförande och kan ge operatören en elektrisk stöt.
- Använd skyddsglasögon och hörselskydd.** Ytterligare skyddsutrustning för huvud, händer, ben och fötter rekommenderas. Passande skyddskläder minskar risken för personskador från flygande materialrester eller oavsiktlig kontakt med sågkedjan.
- Arbeta inte med kedjesågen i ett träd.** Att arbeta med kedjesågen uppe i ett träd kan orsaka personskador.
- Stå alltid stadigt och arbeta endast med kedjesågen när du står på ett fast, säkert och plant underlag.** Halt eller ostadigt underlag såsom stegar kan leda till att du tappar balansen eller tappar kontrollen över kedjesågen.
- Var uppmärksam vid sågning av en gren som är spänd eftersom den kan fjädra tillbaka.** När spänningen i träfiberna släpper kan den spända grenen slå tillbaka mot användaren och/eller slå kedjesågen ur händerna.

8. **Var mycket försiktig vid sågning av buskar och unga träd.** Det fina materialet kan fånga sågkedjan och piskas emot dig eller få dig ur balans.
9. **Bär kedjesågen i det främre handtaget och bort från kroppen med maskinen avstängd. Vid transport eller förvaring av kedjesågen ska alltid svärdskyddet sitta på.** Korrekt hantering av kedjesågen minskar risken för oavsiktlig kontakt när sågkedjan är i rörelse.
10. **Följ instruktionerna för smörjning, kedjesträckning och utbyte av tillbehör.** Felaktig sträckning eller kedjesmörjning kan antingen få kedjan att gå av eller öka risken för bakåtkast.
11. **Håll handtagen torra, rena och fria från olja och smuts.** Hala handtag orsakar okontrollerad sågning.
12. **Såga endast i trä. Använd kedjesågen endast för det ändamål den är avsedd för.** Till exempel: använd den inte för sågning i plast, murverk eller annat byggmaterial som inte är av trä. Användning av kedjesågen för annat ändamål än vad den är avsedd för kan leda till att en farlig situation uppstår.
13. **Orsaker till och förebyggande av bakåtkast:** Bakåtkast kan uppstå när nosen eller spetsen på svärdet kommer i kontakt med ett objekt, eller när träet kniper tag i och låser fast kedjesågen i skåret. Kontakt med spetsen kan i vissa fall orsaka en plötslig motsatt reaktion där svärdet slås uppåt och bakåt mot användaren. Fastlåsnings av sågkedjan längs spetsen på svärdet kan snabbt trycka svärdet bakåt mot användaren. Endera av dessa reaktioner kan orsaka att du tappar kontrollen över sågen vilket kan resultera i allvarliga personskador. Lita inte utslutande på de inbyggda säkerhetsenheterna i din såg. Som en kedjesågsanvändare ska du vidta försiktighetsåtgärder så att inte olyckor eller skador uppstår i ditt arbete med sågen.

Bakåtkast beror på ovarsamhet och/eller felaktiga arbetsrutiner eller -förhållanden och kan undvikas genom att vidta nedanstående förebyggande åtgärder:

- Upprätthåll ett stadigt grepp med tummar och fingrar runt kedjesågens handtag, med båda händerna på sågen och i en position där din kropp och dina armar kan undvika styrkan av ett eventuellt bakåtkast. Användaren kan kontrollera styrkan av ett bakåtkast om korrekta åtgärder har vidtagits. Släpp inte kedjesågen.

► **Fig. 1**

- Sträck dig inte för långt när du använder maskinen och såga inte över axelhöjd. Detta förhindrar oavsiktlig kontakt med spetsen och ger bättre kontroll över kedjesågen i oväntade situationer.
  - Använd endast reservdelar som svärd och kedjor specificerade av tillverkaren. I annat fall kan det orsaka att kedjan går av och/eller bakåtkast.
  - Följ tillverkarens instruktioner för slipning och underhåll av sågkedjan. Minskning av höjden på underställningsklacken kan leda till ökad risk för bakåtkast.
14. **Kontrollera att kedjan är i gott skick och uppfyller säkerhetsanvisningarna innan arbetet påbörjas. Kontrollera i synnerhet att:**
    - Kedjebromsen fungerar.
    - Tröghetsbromsen fungerar.
    - Svärdet och kedjedrevskåpan är rätt monterade.
    - Kedjan är filad och spänd i enlighet med anvisningarna.

15. **Starta inte kedjesågen när kedjeskyddet är kvar.** Att starta kedjesågen med kedjeskyddet monterat kan leda till att kedjeskyddet kastas framåt vilket resulterar i personskada och skada på föremål runt omkring användaren.

## SPARA DESSA ANVISNINGAR.

**⚠ VARNING: GLÖM INTE** att också fortsättningsvis strikt följa säkerhetsanvisningarna för maskinen även efter att du blivit van att använda den. Vid **FELAKTIG HANTERING** av maskinen eller om inte säkerhetsanvisningarna i denna bruksanvisning följs kan följden bli allvarliga personskador.

## Viktiga säkerhetsanvisningar för batterikassetten

1. **Innan batterikassetten används ska alla instruktioner och varningsmärken på (1) batteriladdaren, (2) batteriet och (3) produkten läsas.**
2. **Montera inte isär batterikassetten.**
3. **Om drifttiden blivit avsevärt kortare ska användningen avbrytas omedelbart. Det kan uppstå överhettning, brännskador och t o m en explosion.**
4. **Om du får elektrolyt i ögonen ska de sköljas med rent vatten och läkare uppsöks omedelbart. Det finns risk för att synen förloras.**
5. **Kortslut inte batterikassetten.**
  - (1) **Rör inte vid polerna med något strömförande material.**
  - (2) **Undvik att förvara batterikassetten tillsammans med andra metallobjekt som t.ex. spikar, mynt o.s.v.**
  - (3) **Skydda batteriet mot vatten och regn. En batterikortslutning kan orsaka ett stort strömflöde, överhettning, brand och maskinhaveri.**
6. **Förvara inte maskinen och batterikassetten på platser där temperaturen kan nå eller överstiga 50 °C.**
7. **Bränn inte upp batterikassetten även om den är svårt skadad eller helt utsliten. Batterikassetten kan explodera i öppen eld.**
8. **Var försiktig så att du inte råkar tappa batteriet och utsätt det inte för stötar.**
9. **Använd inte ett skadat batteri.**
10. **De medföljande litiumjonbatterierna är föremål för kraven i gällande lagstiftning för farligt gods.** För kommersiella transporter (av t.ex. tredje parter som speditönsfirmor) måste de särskilda transportkrav som anges på emballaget och etiketter iakttagas. För att förbereda den produkt som ska avsändas krävs att du konsulterar en expert på riskmaterial. Var också uppmärksam på att det i ditt land kan finnas ytterligare föreskrifter att följa. Tejpa över eller maskera blottade kontakter och packa batteriet på sådant sätt att det inte kan röra sig fritt i förpackningen.
11. **Följ lokala föreskrifter beträffande avfallshandtering av batteriet.**

## SPARA DESSA ANVISNINGAR.

**⚠ FÖRSIKTIGT:** Använda endast äkta Makita-batterier. Användning av oäkta Makita-batterier eller batterier som har manipulerats kan leda till person- och utrustningsskador eller till att batteriet fattar eld. Det upphäver också Makitas garanti för verktyget och laddaren.

## Tips för att uppnå batteriets maximala livslängd

1. Ladda batterikassetten innan den är helt urladdad. Stanna alltid maskinen och ladda batterikassetten när du märker att maskinen blir svagare.

► Fig.2

1	Batterikassett	2	Främre handskydd	3	Svärd
4	Sågkedja	5	Spärr	6	Inställningsratt
7	Kontrollknapp	8	Kapacitetsindikator	9	Lampa för nätspänning
10	Strömbrytare	11	Säkerhetsspärr	12	Bakre handtag
13	Avtryckare	14	Främre handtag	15	Oljetanklock
16	Kedjefångare	17	Justerskruv (för oljepump)	18	Svärdskydd

## FUNKTIONSBESKRIVNING

**⚠ FÖRSIKTIGT:** Se alltid till att maskinen är avstängd och batterikassetten borttagen innan du justerar maskinen eller kontrollerar dess funktioner.

### Montera eller demontera batterikassetten

**⚠ FÖRSIKTIGT:** Stäng alltid av maskinen innan du monterar eller tar bort batterikassetten.

**⚠ FÖRSIKTIGT:** Håll stadigt i maskinen och batterikassetten när du monterar eller tar bort batterikassetten. I annat fall kan det leda till att de glider ur dina händer och orsakar skada på maskinen och batterikassetten samt personskada.

► Fig.3: 1. Röd indikator 2. Knapp 3. Batterikassett

Ta bort batterikassetten genom att skjuta ner knappen på kassetterns framsida samtidigt som du drar ut batterikassetten.

Sätt i batterikassetten genom att rikta in tungan på batterikassetten mot spåret i höljet och skjut den på plats. Tryck in batterikassetten ordentligt tills den låser fast med ett klick. Om du kan se den röda indikatorn på knappens ovansida är den inte låst ordentligt.

**⚠ FÖRSIKTIGT:** Sätt alltid i batterikassetten helt tills den röda indikatorn inte längre syns. I annat fall kan den oväntat falla ur maskinen och skada dig eller någon annan.

**⚠ FÖRSIKTIGT:** Montera inte batterikassetten med våld. Om kassetten inte lätt glider på plats är den felinsatt.

2. Ladda aldrig en fulladdad batterikassett. Överladdning förkortar batteriets livslängd.
3. Ladda batterikassetten vid en rumstemperatur på 10 °C - 40 °C. Låt en varm batterikassett svalna innan den laddas.
4. Ladda batterikassetten om du inte har använt den på länge (mer än sex månader).

## BESKRIVNING AV DELAR

**OBS:** Maskinen fungerar inte med endast en batterikassett.

**OBS:** Var uppmärksam på dina fingrars position när du sätter i batteriet. Knappen kan tryckas ned oavsiktligt.

### Skyddssystem för maskinen/batteriet





Maskinen är utrustad med ett skyddssystem för maskinen-/batteriet. Detta system bryter automatiskt strömmen till motorn för att förlänga maskinens och batteriets livslängd. Maskinen stoppar automatiskt under användningen om maskinen eller batteriet hamnar i en av följande situationer. Indikatorerna tänds i vissa situationer.

### Överbelastningsskydd

När maskinen används på ett sätt som gör att den drar onormalt mycket ström, stoppar verktyget automatiskt och lampan för nätspänning blinkar. När detta sker stänger du av verktyget och upphör med arbetet som gjorde att verktyget överbelastades. Starta därefter upp verktyget igen.

### Överhettningsskydd

När verktyget överhettas stoppa verktyget automatiskt och indikatorlampan för kapacitet blinkar enligt bilden. Låt maskinen svalna innan du startar den igen.

Kapacitetsindikatorstatus			Status
 På	 Av	 Blinkar	
			Överhettad.




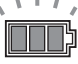

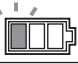

## Överurladdningsskydd

När batteriets kapacitet är låg stoppar maskinen automatiskt. Om produkten inte fungerar trots att knapparna fungerar som de ska tar du bort batterierna från maskinen och laddar dem.

### Indikerar kvarvarande batterikapacitet

► **Fig.4:** 1. Kontrollknapp 2. Kapacitetsindikator

Kvarvarande batterikapacitet visas medan du trycker på kontrollknappen. Kapacitetsindikeringarna motsvarar varje batteri.

















Kapacitetsindikatorstatus			Kvarvarande batterikapacitet
 På	 Av	 Blinkar	
			50 % till 100 %
			20 % till 50 %
			0 % till 20 %
			Ladda batteriet

### Indikerar kvarvarande batterikapacitet

*Endast för batterikassetter med indikator*

► **Fig.5:** 1. Indikatorlampor 2. Kontrollknapp

Tryck på kontrollknappen på batterikassetten för att se kvarvarande batterikapacitet. Indikatorlamporna lyser i ett par sekunder.

Indikatorlampor			Kvarvarande kapacitet
 Upplyst	 Av	 Blinkar	
			75% till 100%
			50% till 75%
			25% till 50%
			0% till 25%
			Ladda batteriet.
			Batteriet kan ha skadats.
			

**OBS:** Beroende på användningsförhållanden och den omgivande temperaturen kan indikationen skilja sig lätt från den faktiska batterikapaciteten.

## Strömbrytare

**⚠️WARNING:** Stäng alltid av strömbrytaren när verktyget inte används.

För att aktivera kedjesågens standby-funktion, tryck på strömbrytaren till lampan för nätspänning tänds. För att stänga av trycker du på strömbrytaren igen.

► **Fig.6:** 1. Strömbrytare

**OBS:** Lampan för nätspänning blinkar om avtryckaren aktiveras vid felaktiga förhållanden. Lampan blinkar om du

- aktiverar strömbrytaren medan du håller ner säkerhetsspärren och avtryckaren,
- aktiverar avtryckaren medan kedjebromsen är aktiverad,
- släpper kedjebromsen medan du håller ner säkerhetsspärren och avtryckaren.

**OBS:** Denna kedjesåg har en automatisk avstängningsfunktion. För att undvika oavsiktlig start kommer strömbrytaren automatiskt att stänga ner när avtryckaren inte aktiveras under en viss tid efter strömbrytaren aktiverats.

## Avtryckarens funktion

**⚠️WARNING:** Detta verktyg är utrustat med en säkerhetsspärr som förhindrar oavsiktlig start. Använd ALDRIG maskinen om den startar när du trycker på avtryckaren utan att ha tryckt in säkerhetsspärren. Returnera verktyget till ett auktoriserat servicecenter för reparation INNAN du fortsätter att använda det.

**⚠️WARNING:** Sätt ALDRIG säkerhetsspärren ur funktion genom att t.ex. tejpa över den.

**⚠️FÖRSIKTIGT:** Innan du sätter i batterikassetten i maskinen ska du kontrollera att avtryckaren fungerar och återgår till läget "OFF" när du släpper den.

**OBSERVERA:** Tryck inte in avtryckaren utan att ha tryckt in säkerhetsspärren. Det kan skada avtryckaren.

Säkerhetsspåkens funktion är att förhindra att avtryckaren oavsiktligt trycks in. Starta maskinen genom att först trycka in startspärren och sedan avtryckaren. Släpp avtryckaren för att stoppa maskinen.

► **Fig.7:** 1. Avtryckare 2. Säkerhetsspärr

## Kontroll av kedjebroms

**⚠ FÖRSIKTIGT:** Håll kedjesågen med båda händerna när du startar den. Håll bakre handtaget med höger hand och främre handtaget med vänster hand. Svärdet och kedjan får inte vara i kontakt med något.

**⚠ FÖRSIKTIGT:** Om kedjan inte stannar omedelbart när du kontrollerar denna funktion får sågen inte användas under några omständigheter. Kontakta ett auktoriserat servicecenter.

1. Tryck på säkerhetsspärren och tryck in avtryckaren. Sågen startar omedelbart.

2. Tryck det främre handskyddet framåt med baksidan av handen. Se till att kedjesågen stoppar helt.

► **Fig.8:** 1. Främre handskydd 2. Olåst position 3. Låst position

## Kontroll av tröghetsbroms

**⚠ FÖRSIKTIGT:** Om kedjesågen inte stannar inom en sekund i detta test, sluta använda kedjesågen och kontakta vårt auktoriserade servicecenter.

Kör kedjesågen och släpp därefter avtryckaren helt. Kedjan måste stanna helt inom en sekund.

## Justering av kedjesmörjningen

Du kan justera matningshastigheten för oljepumpen med justeringsskruven. Oljemängden kan justeras med en universalnyckel.

► **Fig.9:** 1. Inställningsskruv

## MONTERING

**⚠ FÖRSIKTIGT:** Se alltid till att maskinen är avstängd och batterikassetten borttagen innan du underhåller maskinen.

**⚠ FÖRSIKTIGT:** Rör inte vid sågkedjan med bara händer. Bär alltid handskar när du hanterar sågkedjan.

## Ta bort eller monterar sågkedjan

**⚠ FÖRSIKTIGT:** Sågkedjan och svärdet är fortfarande varma direkt efter användning. Låt dem svalna tillräckligt innan du utför något arbete på maskinen.

Utför följande steg för att ta bort sågkedjan:

1. Dra upp spaken meda du trycker på dess kant.  
► **Fig.10:** 1. Spärr

2. Vrid kedjesträckaren mot "-" för att släppa kedjesträckningen.

► **Fig.11:** 1. Inställningsratt

3. Vrid spaken moturs tills kedjedrevskåpan kan tas av.

► **Fig.12:** 1. Spärr 2. Kedjedrevskåpa

4. Ta bort kedjedrevskåpan och ta därefter bort sågkedjan och svärdet från kedjesågen.

Utför följande steg för att montera sågkedjan:

1. Kontrollera riktningen för kedjan. Markeringen på kedjan anger kedjeriktningen.

2. Passa in ena änden av sågkedjan på översidan av svärdet och den andra änden runt kedjehjulet.

► **Fig.13:** 1. Kedjehjul

3. Skjut in svärdet på plats i kedjesågen.

4. Vrid kedjesträckaren mot "-" för att skjuta sträckartappen i pilens riktning.

► **Fig.14:** 1. Sträckartapp

5. Placera kedjedrevskåpan på kedjesågen så att sträckartappen placeras i ett litet hål i svärdet.

► **Fig.15:** 1. Kedjedrevskåpa 2. Svärd 3. Hål

6. Vrid spaken medurs hela vägen och en fjärdedel bakåt för att behålla kedjan lös för justering av kedjesträckningen.

7. Rikta spetsen på svärdet något uppåt när du ställer in sträckningen denna gång.

8. Vrid spaken medurs tills kedjedrevskåpan sitter säkert och för den därefter till dess ursprungliga läge.

► **Fig.16:** 1. Spärr 2. Kedjedrevskåpa

## Justering av kedjesträckning

**⚠ FÖRSIKTIGT:** Montera eller ta bort kedjan på en ren plats fri från sågdamm och liknande.

**⚠ FÖRSIKTIGT:** Sträck inte sågkedjan för mycket. En alltför sträckt kedja kan medföra kedjebrott, ökat slitage på svärdet eller trasig kedjesträckare.

**⚠ FÖRSIKTIGT:** En kedja som inte är tillräckligt spänd kan hoppa ur sitt spår och orsaka en olycka.

Kedjan kan förlora sin sträckning efter ett antal timmars användning. Kontrollera därför emellanåt kedjesträckningen innan du använder kedjesågen.

1. Tryck på och öppna spaken helt tills den klickar. Vrid den lita moturs för att lossa kedjedrevskåpan något.

► **Fig.17:** 1. Spärr 2. Kedjedrevskåpa

2. Lyft upp svärdspetsen lite och justera kedjesträckningen. Vrid kedjesträckaren i riktning mot "-" för att lossa, vrid i riktning mot "+" för att späna. Spänn åt sågkedjan tills den nedre delen av sågkedjan passar in i svärdets skena.

► **Fig.18:** 1. Inställningsratt 2. Svärd 3. Sågkedja

3. Fortsätt att hålla lätt i svärdet och dra åt kedjedrevskåpan. Se till att sågkedjan inte slackar på den undre sidan.

4. Ställ skruvhandtaget i sitt ursprungliga läge.

► **Fig.19:** 1. Spärr 2. Kedjedrevskåpa

Se till att sågkedjan ligger tätt mot den undre sidan av svärdet.



# ANVÄNDNING

## Smörjning

Sågkedjan blir automatiskt smord när maskinen är i användning. Kontrollera återstående mängd olja i oljetanken vid jämna mellanrum.

För att fylla på tanken lägger du kedjesågen på sidan och tar av oljetanklocket. Korrekt mängd olja är 200 ml. Se till att oljetanklocket sitter på ordentligt efter påfyllning.

► **Fig.20:** 1. Oljetanklock 2. Oljetank (genomskinlig)

Håll bort kedjesågen från trädet efter påfyllning. Starta den och vänta tills smörjningen av sågkedjan är tillräcklig.

► **Fig.21**

**OBSERVERA:** När du fyller på kedjeolja för första gången, eller om du fyller på olja när tanken blivit helt tom, ska du fylla på olja upp till kragen på påfyllningshålet. Oljefördelningen kan annars försämrats.

**OBSERVERA:** Använd endast en sågkedjeolja som är avsedd för Makita:s kedjesågar eller motsvarande som finns tillgänglig i handeln.

**OBSERVERA:** Använd aldrig olja som innehåller damm och partiklar eller flyktig olja.

**OBSERVERA:** Använd botanisk olja vid beskärning av träd. Mineralolja kan skada träden.

**OBSERVERA:** Innan du börjar såga, kontrollera att det medföljande oljetankslocket är fastskruvat på plats.

## ARBETA MED KEDJESÅGEN

**⚠ FÖRSIKTIGT:** Förstagångsanvändare ska, åtminstone som en liten övning, börja såga stockar på en sågbock eller ställning.

**⚠ FÖRSIKTIGT:** Vid sågning i förkapat timmer ska du använda ett säkert stöd (sågbock eller vagg). Stöd inte arbetsstycket med din fot och tillåt inte att någon annan håller eller stödjer det.

**⚠ FÖRSIKTIGT:** Fäst runda arbetsstycken så att de inte roterar.

**⚠ FÖRSIKTIGT:** Håll bort sågkedjan från kroppen när motorn är igång.

**⚠ FÖRSIKTIGT:** Håll i kedjesågen ordentligt med båda händerna när motorn är igång.

**⚠ FÖRSIKTIGT:** Översträck inte. Stå alltid stabil och ha god balans hela tiden.

**OBSERVERA:** Kasta eller tappa inte verktyget.

**OBSERVERA:** Täck inte över verktygets ventilationshål.

För den nedre delen av kedjesågen till den gren som ska sågas av innan sågen slås på. I annat fall kan svärdet kränga och skada användaren. Såga av det träd som ska sågas genom att använda kedjesågens vikt.

► **Fig.22**

Om du inte kan såga rakt igenom stocken med ett enda skär:

Tryck lätt på handtaget och fortsätt att såga och dra kedjesågen bakåt en aning. Placera sedan stödkammen lite lägre och avslutar snittet genom att lyfta handtaget.

► **Fig.23**

## Kapning

1. Vila den nedre delen av kedjesågen på den gren som ska sågas av.

► **Fig.24**

2. Medan kedjan löper sågar du in i stocken genom att lyfta sågen med det bakre handtaget och styra svärdet med det främre. Använd barkskyddet som vridpunkt.

3. Fortsätt att såga genom att trycka lätt på det främre handtaget och lyfta sågens bakända något. Flytta barkskyddet i sågriktningen och lyft det främre handtaget igen.

**OBSERVERA:** Stäng av sågen mellan skären om du ska göra fler kapningar.

**⚠ FÖRSIKTIGT:** Du kan få bakåtkast i riktning mot dig om du sågar med svärdets ovansida och kedjan kläms fast. Såga därför med undersidan så att sågen strävar i riktning bort från dig.

► **Fig.25**

När du kapar en stock som är utsatt för tryck ska alltid den tryckutsatta sidan (A) sågas först. Såga därefter slutskäret från den andra sidan (B). På så vis undviker du att svärdet kläms fast.

► **Fig.26**

## Kvistning

**⚠ FÖRSIKTIGT:** Kvistning får endast utföras av personer med stor erfarenhet av sågning. Kastrisken är stor.

Om möjligt bör sågen stödas mot stammen. Använd inte spetsen på svärdet på grund av kastrisken.

Var särskilt uppmärksam på grenar som är i spänn.

Såga inte i fritt hängande grenar från undersidan.

Stå inte på det averkade trädet vid kvistning.

## Spårsågning och sågning parallellt med träfibrerna

**⚠ FÖRSIKTIGT:** Spårsågning och sågning parallellt med träfibrerna får endast utföras av personer med särskild utbildning. Kastrisken och olycksriskan är stor.

Sågning parallellt med träfibrerna ska göras i så liten vinkel som möjligt. Var extra försiktig när du skär eftersom barkskyddet inte kan användas.

► **Fig.27**

## Trädfällning

**⚠ FÖRSIKTIGT:** Fällning av träd får endast utföras av särskilt utbildade personer. Arbetet är riskfyllt.

lakta gällande föreskrifter vid fällning av träd.

► **Fig.28:** 1. Trädfällningsområde

- Innan du påbörjar arbetet ska du kontrollera att:
  - Inga obehöriga finns inom området.
  - Alla inblandade personer måste ha en säker reträttväg inom ett område av ca 45° på vardera sidan av fällriktningen. Eventuella elkablar som kan befinna sig i fällområdet måste lokaliseras.
  - Det får inte finnas hindrande föremål t ex rötter och grenar på trädets rot del.
  - Personer eller föremål får inte finnas inom ett avstånd av 2 1/2 trädlängder i trädets fällriktning.
- Beakta följande för respektive träd:
  - Lutningsriktning.
  - Lösa eller torra grenar.
  - Trädets höjd.
  - Naturliga överhäng.
  - Eventuell röta i trädet.

- Beakta vindhastighet och vindriktning. Fäll inte träd när starka vindbyar förekommer.
- Trimming av rötter: Börja med de största rotutskotten. Såga det vertikala skäret först och därefter det horisontella.
- Stå vid sidan av det fallande trädet. Se till att området bakom trädet är tomt i en vinkel av 45° på båda sidor av trädets axel (se figuren med "fällområdet"). Var uppmärksam på fallande grenar.
- En flyktväg ska planeras och eventuella hinder undanröjas innan sågningen påbörjas. Flyktvägen ska gå bakåt och diagonalt till den gräns som trädet förväntas att falla, såsom visas i figuren.

► **Fig.29:** 1. Fällriktning 2. Fazon 3. Flyktväg

Vid trädfällning måste följande procedur följas:

1. Anlägg riktskåret så nära marken som möjligt. Såga först det horisontella skäret till ett djup på 1/5 - 1/3 av stamdiametern. Gör inte skäret för långt. Såga därefter det diagonala skäret.

► **Fig.30**

**OBS:** Riktskåret bestämmer fällriktningen och styr trädet. Riktskåret görs på den sida som trädet ska falla åt.

2. Såga fällskåret litet högre upp än riktskårets horisontella skär. Fällskåret måste vara exakt horisontellt. Lämna ungefär 1/10 av stamdiametern mellan fällskär och riktskär. Trädfibrerna i den osågade delen fungerar som ett gängjärn. Sätt i fällkilar i fällskåret så snart skärdjupet är tillräckligt.

► **Fig.31**

**⚠ VARNING:** Såga under inga omständigheter genom alla träfibrer. I annat fall faller trädet okontrollerat.

**OBSERVERA:** Endast kilar av plast eller aluminium får användas för att hålla fällskåret öppet. Järnkilar får inte användas.

## Bära maskinen

Innan verktyget bärs måste kedjebromsen appliceras och batteriet tas bort. Fäst därefter på svärdskyddet. Täck också batterikassetten med batteriskyddet.

► **Fig.32:** 1. Svärdskydd 2. Batterikap

## UNDERHÅLL

**⚠ FÖRSIKTIGT:** Se alltid till att maskinen är avstängd och batterikassetten borttagen innan inspektion eller underhåll utförs.

**⚠ FÖRSIKTIGT:** Använd alltid handskar vid kontroller och underhåll.

**OBSERVERA:** Använd inte bensin, förtunningsmedel, alkohol eller liknande. Missfärgning, deformation eller sprickor kan uppstå.

## Filning av sågkedja

**Fila kedjan när:**

- Du får spåndamm när du sågar i fuktigt trä.
- Kedjan har svårt att såga trots att du trycker hårt med sågen.
- Skärtänderna är synbart skadade.
- Sågen drar åt vänster eller höger i träet (Orsakas av att filning av sågkedjan har blivit ojämn eller skadad på någon av sidorna.)

Fila sågkedjan lite men ofta. Två eller tre drag med filen är oftast tillräckligt vid rutinmässig filning. Lämna sågkedjan för filning hos vårt auktoriserade servicecenter när du har filat om den många gånger.

**Filningskriterier:**

**⚠ VARNING:** Ett överdrivet avstånd mellan skäret och djupmätaren ökar risken för bakåtkast.

► **Fig.33:** 1. Såglängd 2. Avstånd mellan skärlängd och djupmätaren 3. Minsta skärlängd (3 mm)

- Alla skärtänder måste vara lika långa. Olika längd på skärtänderna förhindrar att kedjesågen går jämnt och kan leda till kedjebrott.
- Slipa inte en kedja vars skärtänder har en längd som är 3 mm eller mindre. Kedjan måste bytas mot en ny.
- Spåntjockleken bestäms av avståndet mellan underställningsklacken (rund nos) och skärtanden.
- Det bästa sågresultatet uppnås med följande höjdskillnad mellan skärtand och underställningsklack.
  - Kedjebled 90PX : 0,65 mm (0,025")
  - Kedjebled 91PX : 0,65 mm (0,025")

► **Fig.34**

- Filningsvinkeln ska vara 30° och måste vara densamma för alla skärtänder. Skillnader i vinkel får kedjan att löpa ryckigt och ojämnt, slitaget ökar och det leder till kedjebrott på kedjan.
- Använd en lämplig rundfil så att korrekt vinkel hålls på tänderna.
  - Kedjeblad 90PX : 55°
  - Kedjeblad 91PX : 55°

#### Fil och filningsanvisningar

- Fila kedjan med en specialrundfil (valfritt tillbehör) för sågkedjor. Använd inte standard rundfilar.
- Diametern för rundfilen för varje sågkedja är följande:
  - Kedjeblad 90PX : 4,5 mm (3/16")
  - Kedjeblad 91PX : 4,0 mm (5/32")
- Fila endast med skjutande tag. Lyft filen från skärtanden när du för filen bakåt.
- Fila den kortaste skärtanden först. Längden för den kortaste skärtanden blir standard för alla andra skärtänder på sågkedjan.
- För filen på det sätt som framgår av figuren.
- Det går lättare att fila om en filmall (tillbehör) används. Filmallen har markeringar för rätt filningsvinkel 30° (rikta in markeringarna parallellt med sågkedjan), och begränsar filningsdjupet (till 4/5 av fildiametern).

#### ► Fig.35: 1. Fil 2. Sågkedja

- **Fig.36:** 1. Filhållare
- Kontrollera höjden på underställningsklacken med hjälp av specialverktyget (tillbehör) när kedjan är färdigfilad.
- **Fig.37**
- Ta bort eventuellt utskjutande material, avsett hur litet, med en speciell plattfil (tillbehör).
- Runda av främre delen av underställningsklacken igen.

## Rengöring av svärdet

Spån och damm kommer att sätta igen spåret i svärdet. De kan sätta igen spåret i svärdet och försämma oljeflödet. Rensa bort spån och damm varje gång när sågkedjan slipas eller byts ut.

#### ► Fig.38

## Rengöra kedjedrevskåpan

Spån och damm ackumuleras inne i kedjedrevskåpan. Ta bort kedjedrevskåpan och sågkedjan från verktyget och gör rent från spån och damm.

#### ► Fig.39

## Rengöring av oljematningshålet

Fint damm eller små partiklar kan byggas upp i oljematningshålet under användning. Detta damm eller små partiklar kan försämma flödet av oljematningen och orsaka otillräcklig smörjning av hela sågkedjan. När oljematningsflödet försämmas på svärdspetsen ska oljematningshålet rengöras på följande sätt.

1. Ta bort kedjedrevskåpan och sågkedjan från maskinen.
2. Ta bort fint damm eller små partiklar med en spårskruvmejsel som har ett smalt skaft eller liknande.
 

► **Fig.40:** 1. Spårskruvmejsel 2. Oljematningshål
3. Sätt i batterikassetten i maskinen. Tryck in avtryckaren för att få bort damm eller partiklar som satt igen oljematningshålet genom att släppa ut kedjeolja.
4. Ta bort batterikassetten från maskinen. Sätt tillbaka kedjedrevskåpan och sågkedjan på maskinen.

## Utbyte av kedjehjulet

**⚠ FÖRSIKTIGT:** Ett slitet kedjehjul förorsakar skador på sågkedjan. Byt ut kedjehjulet om det är slitet.

Kontrollera konditionen på kedjehjulet innan en ny kedja monteras.

#### ► Fig.41: 1. Kedjehjul 2. Slitna områden

Montera alltid en ny låsring samtidigt som du byter kedjehjul.

#### ► Fig.42: 1. Låsring 2. Kedjehjul

**OBSERVERA:** Se till att kedjehjulet är installerat enligt figuren.

## Förvara verktyget

1. Rengör maskinen innan förvaring. Ta bort spån och sågdamm från maskinen efter att kedjedrevskåpan är borttagen.
2. Kör maskinen utan belastning för att smörja sågkedjan och svärdet efter rengöringen.
3. Täck över svärdet med svärdskyddet.
4. Töm oljetanken.

## Instruktioner för periodiskt underhåll

För att garantera lång livslängd, förebygga skador och säkerställa att säkerhetsfunktionerna fungerar måste följande underhåll utföras regelbundet. Garanti lämnas endast om dessa arbeten utförs regelbundet och på föreskrivet sätt. Om det föreskrivna underhållet inte utförs kan allvariga olyckor uppstå! Användaren av kedjesågen ska inte utföra underhållsarbeten som inte finns beskrivna i bruksanvisningen. Alla sådana arbeten ska utföras av ett auktoriserat servicecenter.

Kontrollera föremålet/ drifttiden		Före användning	Varje dag	Varje vecka	Var tredje månad	Varje år	Innan förvaring
Kedjesåg	Inspektion.	✓	-	-	-	-	-
	Rengöring.	-	✓	-	-	-	-
	Kontakta ett auktoriserat servicecenter.	-	-	-	-	✓	✓
Sågkedja	Inspektion.	✓	-	-	-	-	-
	Slipning vid behov.	-	-	-	-	-	✓
Svärd	Inspektion.	✓	✓	-	-	-	-
	Ta bort från kedjesågen.	-	-	-	-	-	✓
Kedjebroms	Kontrollera funktion.	✓	-	-	-	-	-
	Låt inspektera regelbundet av ett auktoriserat servicecenter.	-	-	-	✓	-	-
Kedjesmörjning	Kontrollera oljematningshastigheten.	✓	-	-	-	-	-
Avtryckare	Inspektion.	✓	-	-	-	-	-
Säkerhetsspärr	Inspektion.	✓	-	-	-	-	-
Oljetanklock	Kontrollera stramhet.	✓	-	-	-	-	-
Kedjefångare	Inspektion.	-	-	✓	-	-	-
Skrubar och muttrar	Inspektion.	-	-	✓	-	-	-

För att upprätthålla produktens SÄKERHET och TILLFÖRLITLIGHET bör allt underhålls- och justeringsarbete utföras av ett auktoriserat Makita servicecenter och med reservdelar från Makita.

# FELSÖKNING

Innan du ber om reparation ska du först utföra en egen kontroll. Om du hittar ett problem som inte finns förklarat i bruksanvisningen ska du inte försöka att ta isär maskinen. Fråga istället ett auktoriserat servicecenter för Makita, och använd alltid reservdelar från Makita för reparationer.

Felstatus	Orsak	Åtgärd
Kedjesågen startar inte.	Två batterikassetter är inte insatta.	Sätt i de två laddade batterikassetterna.
	Batteriproblem (låg spänning).	Ladda batterikassetterna på nytt. Om laddning inte hjälper byter du ut batterikassetten.
	Strömbrytaren är från.	Kedjesågen stäng av automatiskt om den inte används under en viss tid. Aktivera strömbrytaren igen.
Kedjesågen fungerar inte.	Kedjebroms aktiverad.	Lossa kedjebromsen.
Motorn stannar efter en kort stunds användning.	Batterinivån är låg.	Ladda batterikassetterna på nytt. Om laddning inte hjälper byter du ut batterikassetten.
Ingen olja på kedjan.	Oljetanken är tom.	Fyll på oljetanken.
	oljekanalerna är smutsiga.	Gör rent spåren.
	Dålig oljetillförsel.	Justera oljemängden med justerskruven.
Kedjesågen når inte det maximala varvtalet.	Batterikassetten är felaktigt insatt.	Sätt i batterikassetterna enligt anvisningarna i denna bruksanvisning.
	Batterinivån sjunker.	Ladda batterikassetterna på nytt. Om laddning inte hjälper byter du ut batterikassetten.
	Drivsytetmet fungerar inte som det ska.	Fråga ett auktoriserat servicecenter i din region avseende reparation.
Lampan för nätspänning blinkar.	Avtryckaren aktiveras vid oavsiktliga förhållanden.	Aktivera avtryckaren när strömbrytaren aktiverats och kedjebromsen släppts.
Kedjan stannar inte även om kedjebromsen är aktiverad: <b>Stoppa maskinen omedelbart!</b>	Bromsbandet är slitet.	Fråga ett auktoriserat servicecenter i din region avseende reparation.
Onormal vibration: <b>Stoppa maskinen omedelbart!</b>	Lossa svärdet eller kedjesågen.	Justera svärdet och kedjespänningen.
	Verktygssfel.	Fråga ett auktoriserat servicecenter i din region avseende reparation.

## VALFRIA TILLBEHÖR

**⚠ FÖRSIKTIGT:** Följande tillbehör eller tillsatser rekommenderas för användning med den Makita-maskin som denna bruksanvisning avser. Om andra tillbehör eller tillsatser används kan det uppstå risk för personskador. Använd endast tillbehören eller tillsatserna för de syften de är avsedda för.

Kontakta ditt lokala Makita servicecenter om du behöver ytterligare information om dessa tillbehör.

- Sägkedja
- Svärd
- Svärdskydd
- Fil
- Verktygsväska
- Makitas originalbatteri och laddare

**⚠ VARNING:** Om du köper ett svärd med en annan längd än standardsvärd måste du även köpa ett lämpligt svärdskydd. Det måste passa och helt täcka kedjesågens svärdskydd.

**OBS:** Några av tillbehören i listan kan vara inkluderade i maskinpaketet som standardtillbehör. De kan variera mellan olika länder.

## TEKNISKE DATA

<b>Modell:</b>		<b>DUC303</b>	<b>DUC353</b>	<b>DUC400</b>
Total lengde (uten sverd)		443 mm		
Nominell spenning		DC 36 V		
Standard batteriinnsets		BL1815N, BL1820, BL1820B, BL1830, BL1830B, BL1840, BL1840B, BL1850, BL1850B, BL1860B		
Nettovekt (under bruk BL1815N)	med 90PX	4,6 kg	4,7 kg	4,8 kg
	med 91PX	4,7 kg	4,8 kg	4,9 kg
Standard sverdlengde		300 mm	350 mm	400 mm
Anbefalt sverdlengde		300 - 400 mm		
Egnet sagkjedetype (se tabellen nedenfor)		90PX 91PX		
Kjedehjul	Antall tenner	6		
	Vinkel	3/8°		
Kjedehastighet		0 - 20 m/s (0 - 1 200 m/min)		
Volum kjedeoljetank		200 cm <sup>3</sup>		

### Sagkjede og sverd

Sagkjedetype		90PX		
Antall drivkjeder		46	52	56
Sverd	Sverdlengde	300 mm	350 mm	400 mm
	Skjærelengde	280 mm	330 mm	375 mm
	Vinkel	3/8°		
	Måleinnetning	1,1 mm		
	Type	Feste for kjedehjul		

Sagkjedetype		91PX		
Antall drivkjeder		46	52	56
Sverd	Sverdlengde	300 mm	350 mm	400 mm
	Skjærelengde	280 mm	330 mm	375 mm
	Vinkel	3/8°		
	Måleinnetning	1,3 mm		
	Type	Feste for kjedehjul		

- På grunn av vårt kontinuerlige forsknings- og utviklingsprogram kan spesifikasjonene som oppgis i dette dokumentet endres uten varsel.
- Spesifikasjoner og batteriinnsets kan variere fra land til land.
- Vekt, med batteriinnsets, i henhold til EPTA-prosedyre 01/2003

**⚠ ADVARSEL:** Bruk riktig kombinasjon av sverd og sagkjede. Ellers kan det medføre alvorlige personskader.

## Symboler

Nedenfor ser du symbolene som brukes for dette utstyret. Forviss deg om at du forstår hva de betyr, før du begynner å bruke maskinen.



Les bruksanvisningen.



Bruk vernebriller.



Bruk hørselsvern.







Bruk hjelm, vernebriller og hørselsvern.



Bruk egnet verneutstyr på føttene og bena, og på hendene og armene.



Må ikke utsettes for fuktighet.

	Maksimalt tillatt skjærelengde
	Kjedets rotasjonsretning
	Justering av oljen til sagkjede
	<p>Cd Ni-MH Li-Ion</p> <p>Kun for EU-land Kast aldri elektroutstyr eller batteripakker i husholdningsavfallet! I henhold til EU-direktivene om kasserte elektriske og elektroniske produkter, og om batterier og akkumulatører og brukte batterier og akkumulatører og direktivenes iverksettning i nasjonal rett, må elektriske produkter og batterier og batteripakker som ikke lenger skal brukes, samles separat og returneres til et miljøvennlig gjenvinningsanlegg.</p>

## Riktig bruk

Motorsagen er beregnet på saging i tre.

## Støy

Typisk A-vektet lydtryknivå er bestemt i henhold til EN60745:

### Modell DUC303

Lydtryknivå ( $L_{pA}$ ): 87,7 dB (A)

Lydeffektnivå ( $L_{WA}$ ): 100,4 dB (A)

Usikkerhet (K): 2 dB (A)

### Modell DUC353

Lydtryknivå ( $L_{pA}$ ): 87,7 dB (A)

Lydeffektnivå ( $L_{WA}$ ): 100,4 dB (A)

Usikkerhet (K): 2 dB (A)

**⚠ ADVARSEL:** Bruk hørselsvern.

## Vibrasjoner

Den totale vibrasjonsverdien (triaksial vektorsum) bestemt i henhold EN60745:

### Modell DUC303

Arbeidsmodus: saging av tre

Genererte vibrasjoner ( $a_{h,w}$ ): 5,3 m/s<sup>2</sup>

Usikkerhet (K): 1,5 m/s<sup>2</sup>

### Modell DUC353

Arbeidsmodus: saging av tre

Genererte vibrasjoner ( $a_{h,w}$ ): 5,3 m/s<sup>2</sup>

Usikkerhet (K): 1,5 m/s<sup>2</sup>

**MERK:** Den angitte verdien for de genererte vibrasjonene er målt i samsvar med standardtestmetoden og kan brukes til å sammenlikne et verktøy med et annet.

**MERK:** Den angitte verdien for de genererte vibrasjonene kan også brukes til en foreløpig vurdering av eksponeringen.

**⚠ ADVARSEL:** De genererte vibrasjonene ved faktisk bruk av elektroverktøyet kan avvike fra den angitte vibrasjonsverdien, avhengig av hvordan verktøyet brukes.

**⚠ ADVARSEL:** Sørg for å identifisere vernetiltak for å beskytte operatøren, som er basert på et estimat av eksponeringen under de faktiske bruksforholdene (idet det tas hensyn til alle deler av driftslyklusen, dvs. hvor lenge verktøyet er slått av, hvor lenge det går på tomgang og hvor lenge startbryteren faktisk holdes trykket).

## EFs samsvarserklæring

### Gjelder kun for land i Europa

EFs samsvarserklæring er lagt til som vedlegg A i denne bruksanvisningen.

## SIKKERHETSADVARSEL

### Generelle advarsler angående sikkerhet for elektroverktøy

**⚠ ADVARSEL:** Les alle sikkerhetsadvarsler, instruksjoner, illustrasjoner og spesifikasjoner som følger med dette elektroverktøyet. Hvis ikke alle instruksjonene nedenfor følges, kan det forekomme elektrisk støt, brann og/eller alvorlig skade.

## Oppbevar alle advarsler og instruksjoner for senere bruk.

Uttrykket «elektrisk verktøy» i advarslene refererer både til elektriske verktøy (med ledning) tilkoblet strømmettet, og batteridrevne verktøy (uten ledning).

## Sikkerhetsadvarsler for trådløs motorsag

- Hold alle kroppsdeler unna sagkjedet når motorsagen er i gang.** Før du starter motorsagen må du forvise deg om at kjedet ikke er borti noe. Et øyeblikks uoppmerksomhet mens du bruker motorsagen kan være nok til å sette fast klærne eller kroppsdeler i sagkjedet.
- Du må alltid holde motorsagen med høyre hånd på det bakre håndtaket og venstre hånd på det fremre håndtaket.** Hvis du holder motorsagen på motsatt vis, øker dette risikoen for personskade. Ikke hold utstyret på denne måten.
- Hold elektroverktøyet bare i de isolerte gripeflatene, for sagkjedet kan komme i kontakt med skjulte ledninger.** Hvis et sagkjede kommer i kontakt med en strømførende ledning, vil også uisolerte deler av maskinen gjøres strømførende og kunne gi operatøren elektrisk støt.
- Bruk alltid vernebriller og hørselsvern.** Det anbefales å bruke ytterligere verneutstyr for hode, hender, bein og føtter. Passende verneklær vil redusere personskadene som følger av flygende flis eller utilsikket kontakt med sagkjedet.
- Ikke bruk en motorsag mens du er oppe i et tre.** Hvis du bruker en motorsag mens du er oppe i et tre, kan du få helseskader.
- Pass på alltid å ha godt fotfeste, og bruk motorsagen kun når du står på et fast, trygt og jevnt underlag.** Glatte eller ustabile overflater, som f.eks. stiger, kan få deg til å miste balansen eller kontrollen over motorsagen.
- Når du kutter en gren som står i spenn, må du være forberedt på å hoppe tilbake.** Når spenningen i trefibrene utløses, vil den fjærlastede grenen kunne slå til operatøren og/eller kaste motorsagen ut av kontroll.
- Vær ekstremt forsiktig ved kutting av buskvekster og ungrær.** Det tynne materialet kan sette seg fast i sagkjedet og piskes mot deg eller trekke deg ut av likevekt.

9. **Motorsagen må kun bæres etter det fremre håndtaket, og den må være slått av og peke bort fra kroppen din. Ved transport eller lagring av motorsagen må sverdbeskytteren alltid settes på.**Korrekt håndtering av motorsagen vil redusere sannsynligheten for at du ved et ulykkes-tilfelle kommer borti det roterende sagkjedet.
10. **Følg instruksjonene for smøring, kjedestramming og skifting av tilbehør.**Et kjede som ikke er strammet eller smurt på riktig måte, kan enten brette eller øke sjansen for tilbakeslag (kickback).
11. **Hold håndtakene tørre, rene og fri for olje og smørefett.**Fete, oljete håndtak er glatte og fører til at du mister kontrollen.
12. **Bare bruk saken på tre. Ikke bruk motorsagen til annet enn det den er konstruert for.**For eksempel: Ikke bruk motorsagen til å kutte plast, mur eller andre byggematerialer enn tre.Hvis motorsagen brukes til andre operasjoner enn den er konstruert for, kan det resultere i farlige situasjoner.
13. **Årsaker til tilbakeslag og hvordan operatøren kan forhindre dette:**

Tilbakeslag kan oppstå hvis spissen av sverdet kommer borti en gjenstand, eller når treet lukker seg og klemmer fast sagkjedet i snittet. I noen tilfeller kan det å komme borti noe med spissen føre til en plutselig motsatt rettet reaksjon, så sverdet kastes oppover og tilbake mot operatøren. Hvis sagkjedet kommer i klem langs oversiden av sverdet, kan sverdet slås raskt tilbake mot operatøren. Begge disse reaksjonene kan føre til at du mister kontrollen over saken, og til at du får store helseskader. Ikke stol utelukkende på sikkerhetsanordningene som er innebygd i saken din. Som bruker av en motorsag bør du treffe flere tiltak for å sikre at sagejobbene dine foregår uten ulykker eller skader.

Tilbakeslag er et resultat av feil bruk av maskinen og/eller feilaktige arbeidsprosedyrer eller arbeidsforhold, og kan unngås hvis man tar de rette forholdsregler (se nedenfor):

- Hold maskinen i et fast grep med begge hender, slik at tomlene og fingrene ligger rundt håndtakene på motorsagen, og hold kroppen og armene dine slik at de kan motstå kraften fra maskinen i tilfelle den slår tilbake mot deg. Kraften i tilbakeslaget kan kontrolleres av operatøren, hvis vedkommende tar sine forholdsregler. Ikke slipp motorsagen.

#### ► Fig.1

- Ikke len deg over verktøyet eller skjær over skulderhøyde. På denne måten kan du unngå at du uforvarende kommer borti noe med spissen av sverdet, og du får bedre kontroll med motorsagen i uventede situasjoner.
  - Bare bruk reservesverd og -kjeder som er spesifisert av produsenten. Feil reservesverd og -kjeder kan føre til at kjedet ryker og/eller til tilbakeslag (kickback).
  - Følg produsentens slipe- og vedlikeholdsanvisninger for sagkjedet. Hvis du reduserer høyden på rytterne kan du komme til å øke faren for tilbakeslag.
14. **Før du begynner å jobbe, må du kontrollere at motorsagen er funksjonsdyktig og i så god stand at den oppfyller sikkerhetskravene. Kontroller særlig at:**

- Kjedebremsen virker som den skal
  - Utkoblingsbremsen virker som den skal
  - Sverdet og kjedehjulbeskyttelsen er satt riktig på
  - Kjedet er slipt og strammet i samsvar med retningslinjene.
15. **Ikke start motorsagen mens kjededeckslet monteres.**Dette kan medføre personskafer og skader på gjenstander i området rundt brukeren.

## TA VARE PÅ DISSE INSTRUKSJONENE.

**⚠ADVARSEL:** IKKE LA hensynet til hva som er "behagelig" eller det faktum at du kjenner produktet godt (etter mange gangers bruk) gjøre deg mindre oppmerksom på sikkerhetsreglene for bruken av det aktuelle produktet. Ved MISBRUK eller hvis ikke sikkerhetsreglene i denne bruksanvisningen følges, kan det oppstå alvorlig personskafer.

## Viktige sikkerhetsanvisninger for batteriinnsetts

1. **Før du begynner å bruke batteriet, må du lese alle anvisninger og forsiktighetsregler på (1) batteriladeren, (2) batteriet og (3) det produktet batteriet skal brukes i.**
2. **Ikke ta fra hverandre batteriet.**
3. **Hvis driftstiden er blitt vesentlig kortere, må du omgående slutte å bruke maskinen. Hvis ikke kan resultatet bli overoppheting, mulige forbrenninger eller til og med en eksplosjon.**
4. **Hvis du får elektrolytt i øynene, må du skylle dem med store mengder rennende vann og oppsøke lege med én gang. Denne typen uhell kan føre til varig blindhet.**
5. **Ikke kortslett batteriet:**
  - (1) **De kan være ekstremt varme og du kan brenne deg.**
  - (2) **Ikke lagre batteriet i samme beholder som andre metallgjenstander, som for eksempel spiker, mynter osv.**
  - (3) **Ikke la batteriet komme i kontakt med vann eller regn.**

En kortslutning av batteriet kan føre til et kraftig strømstøt, overoppheting, mulige forbrenninger og til og med til at batteriet går i stykker.

6. **Ikke lagre maskinen og batteriet på steder hvor temperaturen kan komme opp i eller overskride 50 °C.**
7. **Ikke sett fyr på batteriet, ikke engang om det er støvskadet eller helt utslitt. Batteriet kan eksplodere hvis det begynner å brenne.**
8. **Vær forsiktig så du ikke mister batteriet eller utsetter det for slag.**
9. **Ikke bruk batterier som er skadet.**
10. **Lithium-ion-batteriene som medfølger er gjenstand for krav om spesialavfall.**

For kommersiell transport, f.eks av tredjeparter eller speidører, må spesielle krav om pakking og merking følges. Før varen blir sendt, må du forhøre deg med en ekspert på farlig materiale. Ta også hensyn til muligheten for mer detaljerte nasjonale bestemmelser. Bruk teip eller maskingesteip for å skjule åpne kontakter og pakk inn batteriet på en slik måte at den ikke kan bevege seg rundt i emballasjen.



11. Følg lokale bestemmelser for avhending av batterier.

## TA VARE PÅ DISSE INSTRUKSENE.

**⚠️FORSIKTIG:** Bruk kun originale Makita-batterier. Bruk av batterier som har endret seg, eller som ikke er originale Makita-batterier, kan føre til at batteriet sprekker og forårsaker brann, personskader og andre skader. Det vil også ugyldiggjøre garantien for Makita-verktøyet og -laderen.

## Tips for å opprettholde maksimal batterilevetid

1. Lad batteriinnsetsen før den er helt utladet. Stopp alltid driften av verktøyet og lad batteriinnsetsen når du merker at effekten reduseres.
2. Lad aldri en batteriinnsets som er fulladet. Overopplading forkorter batteriets levetid.
3. Lad batteriet i romtemperatur ved 10 °C - 40 °C. Et varmt batteri må kjøles ned før lading.
4. Lad batteriet hvis det ikke har vært brukt på en lang stund (over seks måneder).

► Fig.2

1	Batteriinnsets	2	Vern for håndtaket foran	3	Sverd
4	Sagkjede	5	Spak	6	Justeringshjul
7	Kontrollknapp	8	Kapasitetindikator	9	Strømlampe
10	Strømbryter	11	Av-sperreknapp	12	Håndtak bak
13	Startbryter	14	Håndtak foran	15	Oljetanklokk
16	Kjedefanger	17	Justeringssskrue (for oljepumpen)	18	Sverddeksel

## DELEBESKRIVELSE

### FUNKSJONSBEKRIVELSE

**⚠️FORSIKTIG:** Forviss deg alltid om at maskinen er slått av og batteriet tatt ut før du justerer maskinen eller kontrollerer dens mekaniske funksjoner.

### Sette inn eller ta ut batteri

**⚠️FORSIKTIG:** Slå alltid av verktøyet før du setter inn eller fjerner batteriet.

**⚠️FORSIKTIG:** Hold verktøyet og batteripatronen i et fast grep når du monterer eller fjerner batteripatronen. Hvis du ikke holder verktøyet og batteripatronen godt fast, kan du miste grepet, og dette kan føre til skader på verktøyet og batteripatronen samt personskader.

► Fig.3: 1. Rød indikator 2. Knapp 3. Batteriinnsets

For å ta ut batteriet må du skyve på knappen foran på batteriet og trekke det ut.

Når du skal sette inn batteriet, må du plassere tungen på batteriet på linje med sporet i huset og skyve batteriet på plass. Skyv det helt inn til det går i inngrep med et lite klikk. Hvis du kan se den røde anviseren på oversiden av knappen, er det ikke fullstendig låst.

**⚠️FORSIKTIG:** Batteriet må alltid settes helt inn, så langt at den røde anviseren ikke lenger er synlig. Hvis dette ikke gjøres, kan batteriet komme til å falle ut av maskinen og skade deg eller andre som oppholder seg i nærheten.

**⚠️FORSIKTIG:** Ikke bruk makt når du setter i batteriet. Hvis batteriet ikke glir lett inn, er det fordi det ikke settes inn på riktig måte.

**MERK:** Verktøyet fungerer ikke med kun ett batteri.

**MERK:** Vær oppmerksom på hvor du setter fingrene når du setter inn batteriet. Knappen kan bli trykket inn utilsiktet.

### Batterivernsystem for verktøy/batteri





Verktøyet er utstyrt med et batterivernsystem for verktøy/batteri. Dette systemet slår automatisk av strømmen til motoren for å forlenge verktøyets og batteriets levetid. Verktøyet stopper automatisk under drift hvis verktøyet eller batteriet utsettes for en av følgende tilstander. Indikatorene lyser i noen tilfeller.

### Overlastsikring

Når verktøyet betjenes på en slik måte at det trekker unormalt mye strøm, stopper verktøyet automatisk og strømlampene blinker. I dette tilfellet må du slå av verktøyet og avslutte bruken som forårsaket at verktøyet ble overbelastet. Slå deretter verktøyet på for å starte det igjen.

### Overopphetingsvern

Når verktøyet er overopphetet, stopper det automatisk, og kapasitetindikatoren vil blinke som vist på illustrasjonen. Hvis dette skjer, må du la verktøyet kjøle seg ned før du slår på verktøyet igjen.

Kapasitetindikatorstatus			Status
 På	 Av	 Blinker	
			Overopphetet.

## Overutladingsvern

Når det blir lite batteri igjen, stopper verktøyet automatisk. Hvis produktet ikke går selv om bryterne aktiveres, må du ta batteriene ut av verktøyet og lade batteriene.

### Indikere gjenværende batterikapasitet

► Fig.4: 1. Kontrollknapp 2. Kapasitetindikator

Gjenværende batterikapasitet vises når du trykker på kontrollknappen. Kapasitetsindikatorene korresponderer til hvert av batteriene.

Kapasitetindikatorstatus			Gjenværende batterikapasitet
På	Av	Blinker	
			50 % til 100 %
			20 % til 50 %
			0 % til 20 %
			Lad batteriet

### Indikere gjenværende batterikapasitet

*Kun for batterier med indikatoren*

► Fig.5: 1. Indikatorlamper 2. Kontrollknapp

Trykk på sjekk-knappen på batteriet for vise gjenværende batterikapasitet. Indikatorlampene lyser i et par sekunder.

Indikatorlamper			Gjenværende batterinivå
Tent	Av	Blinker	
			75 % til 100 %
			50 % til 75 %
			25 % til 50 %
			0 % til 25 %
			Lad batteriet.
			Batteriet kan ha en feil.

**MERK:** Det angitte nivået kan avvike noe fra den faktiske kapasiteten alt etter bruksforholdene og den omgivende temperaturen.

## Strømbryter

**⚠ ADVARSEL:** Pass på å slå av strømbryteren når den ikke er i bruk.

For å sette motorsagen i standby, trykk på strømbryteren til strømlampen tennes. For å skru av, trykk på strømbryteren igjen.

► Fig.6: 1. Strømbryter

**MERK:** Strømlampen blinker hvis bryterutløseren trekkes ved forhold der verktøyet ikke kan brukes. Lampen blinker hvis du

- skru på strømbryteren igjen mens du holder nede låsehåndtaket og bryterutløseren
- trykk på startbryteren mens kjedebremsen er aktiv
- frigi kjedebremsen mens du holder nede låsehåndtaket og trekker i bryterutløseren.

**MERK:** Denne motorsagen har tatt i bruk automatisk utkobling. For å unngå utilsiktet oppstart, vil strømbryteren slås av automatisk når bryterutløseren ikke er trukket i løpet av en tidsperiode etter at strømbryteren er skrudd på.

## Bryterfunksjon

**⚠ ADVARSEL:** Av hensyn til din sikkerhet er denne maskinen utstyrt med en AV-sperrehendel som forhindrer utilsiktet start av maskinen. Maskinen må ALDRI brukes hvis den starter når du trykker på startbryteren uten at du også må trykke på AV-sperrehendelen. Returner maskinen til et autorisert servicesenter for å få den reparert FØR videre bruk.

**⚠ ADVARSEL:** AV-sperrehendelen må ALDRI holdes inne med tape, og den må ALDRI settes ut av funksjon.

**⚠ FORSIKTIG:** Før du setter batteriet inn i maskinen, må du alltid kontrollere at startbryteren aktiverer maskinen på riktig måte og går tilbake til «AV»-stilling når den slippes.

**OBS:** Ikke trykk hardt på utløseren uten å trykke på AV-sperrehendelen. Dette kan få bryteren til å brette.

For å hindre at startbryteren betjenes ved et uhell, er verktøyet utstyrt med en AV-sperrehendel. Trykk inn AV-sperrehendelen og trykk på startbryteren for å starte verktøyet. Slipp startbryteren når du vil stoppe verktøyet.

► Fig.7: 1. Startbryter 2. Av-sperreknapp

## Kontroll av kjedebremsen

**⚠️FORSIKTIG:** Hold kjedesagen med begge hender når du slår den på. Hold det bakre håndtaket med høyre hånd, og det fremre håndtaket med venstre hånd. Sverd og kjede må ikke berøre noen gjenstander.

**⚠️FORSIKTIG:** Hvis sagkjedet ikke stopper umiddelbart når denne testen utføres, må ikke saken brukes. Kontakt et autorisert servicesenter.

1. Trykk på låsespaken og trekk i startbryteren. Sagkjedet starter umiddelbart.
  2. Skyv det fremre håndvernet fremover med håndbaken. Pass på at motorsagen straks stopper fullstendig.
- **Fig.8:** 1. Vern for håndtaket foran 2. Ulåst posisjon 3. Låst stilling

## Kontroll av utkoblingsbremsen

**⚠️FORSIKTIG:** Hvis motorsagen ikke stopper i løpet av ett sekund i denne testen, avslutt bruken av motorsagen og ta kontakt med et autorisert servicesenter.

Kjør motorsagen, og så slipper du startbryteren helt. Sagkjedet må stoppe i løpet av ett sekund.

## Justere kjedesmøringen

Du kan justere tilførselshastigheten for oljepumpen med justeringsskruen. Oljemengden kan justeres med universalnøkkelen.

► **Fig.9:** 1. Justeringsskrue

## MONTERING

**⚠️FORSIKTIG:** Forviss deg alltid om at maskinen er slått av og batteriet tatt ut før du utfører noe arbeid på maskinen.

**⚠️FORSIKTIG:** Ikke ta på sagkjedet med bare hender. Bruk alltid hansker når du håndterer sagkjedet.

## Ta av eller monterer sagkjedet

**⚠️FORSIKTIG:** Sagkjedet og sverdet er fortsatt varme etter bruk. La de avkjøles tilstrekkelig før du utfører arbeid på verktøyet.

Bruk følgende trinn for å ta av sagkjedet:

1. Trekk håndtaket opp mens du trykker på kanten.
- **Fig.10:** 1. Spak
2. Drei innstillingshjulet til retningen "-" for å løsne sagkjedets stramming.
- **Fig.11:** 1. Justeringshjul
3. Drei spaken mot klokken for å løsne kjedehjulbeskyttelsen til den kan tas av.

► **Fig.12:** 1. Spak 2. Kjedehjuldekselet

4. Ta av kjedehjuldekselet og så sagkjedet og kjedehjulet fra sagen.

Bruk følgende trinn for å montere sagkjedet:

1. Pass på at kjedet er montert i riktig retning. Pilmerkets retning på kjedet viser kjedets retning.
2. Fest den ene enden av sagkjedet på toppen av sverdet, og den andre enden rundt kjedehjulet.

► **Fig.13:** 1. Kjedehjul

3. Sett sverdet på plass på kjedesagen.
4. Vri innstillingshjulet til posisjon "-" ved å skyve justeringstappen i pilens retning.

► **Fig.14:** 1. Justeringsnagle

5. Sett kjedehjulbeskyttelsen på motorsagen slik at justeringstiften befinner seg i det lille hullet i sverdet.
- **Fig.15:** 1. Kjedehjuldekselet 2. Sverd 3. Hull

6. Drei spaken helt rundt med klokken og deretter en kvart omdreining tilbake for å løsne kjedet for å justere strammingen.

7. Drei på innstillingshjulet for å justere kjedestrømningen.

8. Drei spaken med klokken til kjedehjulbeskyttelsen er sikret, og så setter du den tilbake til opprinnelig stilling.

► **Fig.16:** 1. Spak 2. Kjedehjuldekselet

## Justere strammingen av sagkjedet

**⚠️FORSIKTIG:** Utfør prosedyren for montering eller avmontering av sagkjedet på et rent sted uten sagmugg o.l.

**⚠️FORSIKTIG:** Unngå at sagkjedet strammes for hardt. Altfor kraftig stramming av sagkjedet kan forårsake brudd på sagkjedet, slitasje på sverdet og brudd på innstillingshjulet.

**⚠️FORSIKTIG:** Et kjede som er for løst kan hoppe av sverdet, og utgjør derfor en ulykke med personskaade.

Sagkjedet kan bli løsere etter mange timers bruk. Fra tid til annen må du kontrollere strammingen av sagkjedet før bruk.

1. Trykk inn og åpne spaken helt, inntil du hører et klikk. Drei den litt i retning mot urviseren for å løsne kjedehjulbeskyttelsen litt.

► **Fig.17:** 1. Spak 2. Kjedehjuldekselet

2. Løft enden på sverdet litt oppover, og juster kjedestrømningen. Drei justeringshjulet i retning "+" for å slakke, drei det i retning "+" for å stramme. Stram til sagkjedet inntil den nedre delen av sagkjedet passer inn i sporet på sverdet, som illustrert.

► **Fig.18:** 1. Justeringshjul 2. Sverd 3. Sagkjede

3. Hold lett i sverdet, og stram kjedehjuldekselet. Pass på at sagkjedet ikke løsner på nedsiden.

4. Sett håndtaket tilbake til utgangsposisjon.

► **Fig.19:** 1. Spak 2. Kjedehjuldekselet

Kontroller at sagkjedet ligger tett inntil den nedre siden av sverdet.

# BRUK

## Smøring

Sagkjedet smøres automatisk når maskinen er i bruk. Kontroller jevnlig hvor mye olje som er igjen i tanken. For å fylle tanken, legger du motorsagen på siden og tar av tanklokket. Riktig oljemengde er 200 ml. Etter at du har fylt opp tanken må du passe på at oljetanklokket er skrudd ordentlig på.

► **Fig.20:** 1. Oljetanklokk 2. Oljetank (gjennomsliktig)

Hold motorsagen slik at den vender bort fra treet etter påfylling. Start den og vent til smøringen av sagkjedet er passe.

► **Fig.21**

**OBS:** Når du fyller kjedeolje for første gang, eller når du fyller tanken etter at den har vært kjørt helt tom, må du fylle på olje til nederst på påfyllingsstussen. Ellers kan oljetilførselen bli for dårlig.

**OBS:** Bruk kjedeolje som er spesiallaget for motorsager fra Makita, eller tilsvarende olje som er tilgjengelig på markedet.

**OBS:** Du må aldri bruke olje som inneholder støv og partikler eller flyktig olje.

**OBS:** Bruk botanisk olje ved beskæring av trær. Mineralolje kan skade trærne.

**OBS:** Før du sager må du passe på at det medfølgende oljetanklokket er skrudd godt på.

## ARBEIDE MED KJEDESAGEN

**⚠FORSIKTIG:** Brukeren bør ved første gangs bruk trene på å skjære stokker på en sagbukk eller lignende.

**⚠FORSIKTIG:** Når du sager tømmer som er kappet på forhånd, må du bruke en sikker støtte (sagbukk eller understell). Ikke hold arbeidsstykket med foten, og la ikke andre holde arbeidsstykket.

**⚠FORSIKTIG:** Sikre at rundt treverk ikke roterer.

**⚠FORSIKTIG:** Hold alle kroppsdeler vekk fra sagkjedet når motoren går.

**⚠FORSIKTIG:** Hold kjedesagen fast med begge hender når motoren går.

**⚠FORSIKTIG:** Ikke strekk deg for langt. Pass alltid på at du holder balansen og har godt fotfeste.

**OBS:** Du må aldri kaste, eller slippe ned verktøyet.

**OBS:** Ikke tildekk ventilene på verktøyet.

Sett den nedre kanten av motorsagen i kontakt med greinen som skal sages før du skrur på saken. Ellers kan det forårsake at sverdet krenger, noe som kan føre til skade på operatøren. Sag treverket som skal kuttes, ved hjelp av vekten til saken når du beveger den nedover.

► **Fig.22**

Hvis du ikke kan sage rett igjennom tømmeret med et enkelt slag: Trykk lett på håndtaket, fortsett med sagingen og dra kjedesagen litt tilbake. Sett brodden litt lavere og avslutt snittet ved å heve håndtaket.

► **Fig.23**

## Sage opp en stokk i kubber

1. Sett den nedre kanten av motorsagen i kontakt med treet som skal sages.

► **Fig.24**

2. Med sagkjedet fremdeles i gang, sager du inn i treet, idet du bruker det bakre håndtaket til å løfte saken og det fremre til å styre den. Bruk demperen som omreiningpunkt.

3. Fortsett snittet ved å legge lett trykk på det fremre håndtaket mens du trekker saken noe tilbake. Beveg demperen lenger ned langs stokken og hev det fremre håndtaket igjen.

**OBS:** Når du lager flere snitt, må du slå av saken mellom snittene.

**⚠FORSIKTIG:** Hvis den øvre kanten av sverdet brukes til saging, kan saken kastes mot deg hvis kjedet setter seg fast. Derfor må du sage med den nedre kanten, slik at saken eventuelt kastes bort fra deg.

► **Fig.25**

Når du sager tre som er i spenn, må du sage på trykksiden (A) først. Så utføres det siste snittet på strekksiden (B). På denne måten unngår du at sverdet setter seg fast.

► **Fig.26**

## Kvisting

**⚠FORSIKTIG:** Kvisting må kun utføres av brukere som har fått opplæring i dette. Risikoen for tilbakeslag er et faremoment.

Når du kvister, må du støtte saken mot stammen hvis det er mulig. Ikke sag med spissen av sverdet, da dette medfører fare for tilbakeslag.

Vær spesielt oppmerksom på grener som står i spenn.

Ikke sag greiner uten støtte unnenfra.

Ikke stå på den felte stammen når du kvister.

## Uthuling og snitt som følger fiberretningen

**⚠FORSIKTIG:** Uthuling og snitt som følger fiberretningen må bare utføres av personer som har fått spesialopplæring. Muligheten for tilbakeslag utgjør en skaderisiko.

Snitt som følger fiberretningen må utføres i en så stump vinkel som mulig. Vær ekstra forsiktig når du utfører kuttet, da demperen ikke kan brukes.

► **Fig.27**

## Trefelling

**⚠FORSIKTIG:** Trefelling må kun utføres av personer som har fått opplæring i dette. Arbeidet er farlig.

Følg lokale bestemmelser hvis du ønsker å felle et tre.

► **Fig.28:** 1. Felleområde

- Før du begynner med trefellingen, må du forvisse deg om at:
  - Ingen andre personer enn de som deltar i trefellingen befinner seg i nærheten
  - Alle som deltar i trefellingen har uhindret tilgang til en vei ut av området innenfor en vinkel på ca. 45 ° på hver side av fellingsaksen. Ta hensyn til det ekstra faremomentet som består i at man kan snuble i elektriske ledninger
  - Foten av stammen er fri for fremmedlegemer, røtter og grener
  - Ingen personer eller gjenstander befinner seg nærmere enn 2 1/2 trellengde i den retningen treet vil falle.
- Ta hensyn til følgende når det gjelder hvert enkelt tre:
  - Hvilken vei det lener seg
  - Løse eller tørre grener
  - Treets høyde
  - Naturlig overheng
  - Hvorvidt treet er råtten eller ikke.
- Ta hensyn til vindhastigheten og vindretningen. Ikke fell trær i sterk vind.
- Trimme røtter: Begynn med de største røttene. Foreta det vertikale kuttet først, og deretter det horisontale.
- Stå til siden for det fallende treet. La det være et åpent område bak det fallende treet i en vinkel på opptil 45 ° på hver side av treets akse (se figuren over "felleområdet"). Vær oppmerksom på fallende grener.
- Før sagingen begynner bør en fluktrute planlegges og, ved behov, ryddes. Fluktruten bør gå bak operatøren og diagonalt på motsatt side av forvettet falllinje, som vist på figuren.

► **Fig.29:** 1. Felleretning 2. Faresone 3. Rømningsvei

Når du feller trær, må du følge disse prosedyrene:

1. Lag et styreskjær så nær bakken som mulig. Lag først et horisontalt snitt til en dybde på 1/5 -1/3 av stammediametere. Ikke lag styreskjæret for stort. Utfør så det diagonale snittet.

► **Fig.30**

**MERK:** Styreskjæret avgjør hvilken retning treet vil falle, og styrer det. Det gjøres på den siden treet skal falle mot.

2. Lag hovedskjæret litt høyere enn bunnsnittet av styreskjæret. Hovedskjæret må sages helt vannrett. La ca. 1/10 av stammediametere være igjen mellom hovedskjæret og styreskjæret. Trefibrene i den ukappede stammedelen fungerer som hengsel. Sett inn kiler i hovedskjæret i tide.

► **Fig.31**

**⚠ADVARSEL:** Du må under ingen omstendigheter kutte rett gjennom fibrene. Da vil treet i så fall falle ukontrollert.

**OBS:** Bruk kun plast- eller aluminiumkiler til å holde hovedskjæret åpent. Det er forbudt å bruke jernkiler.

## Bærbart verktøy

Før du bærer verktøyet må du alltid skru på kjedebremsen og ta ut batteriinnsetningen fra verktøyet. Så settes sverddekslet på. Dekk også til batteriinnsetningen med dekslet.

► **Fig.32:** 1. Sverddeksel 2. Batterideksel

## VEDLIKEHOLD

**⚠FORSIKTIG:** Forviss deg alltid om at maskinen er slått av og batteriet tatt ut før du foretar inspeksjon eller vedlikehold.

**⚠FORSIKTIG:** Bruk alltid hansker når du utfører inspeksjon eller vedlikehold.

**OBS:** Aldri bruk gasolin, bensin, tynner alkohol eller lignende. Det kan føre til misfarging, deformering eller sprekkdannelse.

## Slipe sagkjedet

Slip sagkjedet når:

- Det dannes melaktig sagflis når du sager i vått tre
- Kjedet har problemer med å trenge gjennom treet, selv når du legger kraftig press på sagen
- Snittkanten er synlig skadet
- Årsaken til denne oppførselen er ujevn sliping av sagkjedet, eller at den ene siden av det er skadet (forårsaket av ujevn sliping av sagkjedet eller bare skade på den ene siden).

Slip sagkjedet hyppig, men bare litt hver gang. To eller tre strøk med en fil er vanligvis nok ved rutinemessig sliping. Når sagkjedet er blitt slipt om igjen flere ganger, bør du få det slipt hos et av våre godkjente servicesentre.

**Slipekriterier:**

**⚠ADVARSEL:** For stor avstand mellom snittkanten og dybdemåleren øker risikoen for tilbakeslag.

► **Fig.33:** 1. Tannlengde 2. Avstand mellom snittkanten og dybdemåler 3. Minimum skjærelengde (3 mm)

- Alle tannlengder må være like. Tenner av ulik lengde hindrer at kjedet løper jevnt, og kan forårsake brudd på kjedet.
- Ikke slip kjedet når tannlengden har nådd 3 mm eller kortere. Kjedet må skiftes ut med et nytt.
- Spontykkelsen bestemmes av avstanden mellom rytterne (rund nese) og snittkanten.

- De beste sageresultatene oppnås med følgende avstand mellom snittkanten og rytterne.
  - Sagblad 90PX : 0,65 mm (0,025")
  - Sagblad 91PX : 0,65 mm (0,025")

► **Fig.34**

- Slipevinkelen på 30° må være lik på alle tennene. Ulikheter i vinkelen kan få kjedet til å gå brått og ujevnt, føre til raskere slitasje og kjedebrudd.
- Bruk en egnet rundfil slik at riktig slipevinkel beholdes mot tennene.
  - Sagblad 90PX : 55°
  - Sagblad 91PX : 55°

**Fil og filføring**

- Bruk en spesiell rundfil (valgfritt tilbehør) for sagkjedet hvis du ønsker å slipe det. Vanlige runde filer kan ikke brukes.
- Diameter for den runde filen for hvert sagkjede er som følger:
  - Sagblad 90PX : 4,5 mm (3/16")
  - Sagblad 91PX : 4,0 mm (5/32")
- Filen må bare berøre tannen på vei forover. Løft filen av tannen på vei tilbake.
- Slip den korteste tannen først. Den korteste tannens lengde blir standarden for alle tennene på sagkjedet.
- Før filen som vist på figuren.

► **Fig.35:** 1. Fil 2. Sagkjede

- Filen kan føres enklere ved hjelp av en filholder (ekstraustyr). Filholderen har merker for korrekt slipevinkel på 30° (legg merkene parallelt med sagkjedet) og begrenser inntrengningsdybden (til 4/5 av fildiameteren).

► **Fig.36:** 1. Filholder

- Når kjedet er slipt, må du kontrollere høyden på rytterne ved hjelp av kjedemalen (ekstraustyr).
- **Fig.37**
- Fjern eventuelt fremstikkende materiale, uansett hvor lite det dreier seg om, med en flat spesialfil (ekstraustyr).
  - Rytterne rundes av igjen i forkant.

**Rengjør sverdet**

Spon og sagflis vil samle seg i sverdsporet. De kan tette sporet og forhindre oljetilførselen. Fjern alltid spon og sagflis når du sliper eller skifter ut sagkjedet.

► **Fig.38**

**Rengjøring av kjedehjulbeskyttelsen**

Spon og sagflis vil samle seg opp på innsiden av dekselet. Ta kjedehjuldekslet og sagkjedet av sagen, og fjern spon og sagflis.

► **Fig.39**

**Rengjøre oljetstrømningshullet**

Små partikler eller støv kan samle seg i oljetstrømningshullet under bruk. Støvet eller partiklene kan skade oljetilførselen og forårsake utilstrekkelig smøring av hele sagkjedet. Når det kommer lite kjedeolje øverst på sverdet, må oljetømmingshullet rengjøres på følgende måte.

1. Ta kjedehjuldekslet og sagkjedet av sagen.
2. Fjern støv eller partikler ved bruk av sporskruetrekker med tynt skaft eller lignende.

► **Fig.40:** 1. Sporskruetrekker 2. Oljetømminghull

3. Sett inn batteriet i maskinen. Trykk på startbryteren for å la støv og partikler renne av oljetappeshullet når du tømmer ut kjedeolje.
4. Ta ut batteriinnsetsen fra verktøyet. Sett på kjedehjuldekslet og sagkjedet igjen.

**Skifte kjedehjulet**

**⚠FORSIKTIG:** Et utslitt kjedehjul vil skade sagkjedet. Skift i så fall ut kjedehjulet.

Før du monterer et nytt sagkjede, må du sjekke tilstanden til kjedehjulet.

► **Fig.41:** 1. Kjedehjul 2. Områder som slites ut

Monter alltid en ny låsering når du skifter kjedehjulet.

► **Fig.42:** 1. Låsering 2. Kjedehjul

**OBS:** Pass på at kjedehjulet er montert som vist i figuren.

**Oppbevare verktøyet**

1. Rengjør sagen før du legger den vekk. Fjern eventuell flis og sagmugg fra maskinen etter at du har fjernet kjedehjulbeskyttelsen.
2. Etter at du har rengjort maskinen, må du la den gå uten belastning, for å smøre sagkjedet og sverdet.
3. Dekk til sverdet med sverddekselet.
4. Tøm oljetanken.

## Instruksjoner for periodisk vedlikehold

Følgende vedlikehold oppgaver må utføres jevnlig for å oppnå lang levetid, unngå skade og sikre full funksjon av sikkerhetsfunksjonene. Garantien gjelder kun hvis slikt arbeid utføres regelmessig og ordentlig. Hvis det ikke utføres beskrevet vedlikehold kan det føre til ulykker! Brukeren av kjedesagen må ikke utføre vedlikehold som ikke er beskrevet i brukerveiledningen. Alt slikt arbeid må utføres i et autorisert servicesenter.

Kontroller punkt/drifstid		Før bruk	Hver dag	Hver uke	Hver 3. måned	Årlig	Før lagring
Motorsag	Kontroll.	✓	-	-	-	-	-
	Rengjøring.	-	✓	-	-	-	-
	Rådfør deg med et godkjent servicesenter.	-	-	-	-	✓	✓
Sagkjede	Kontroll.	✓	-	-	-	-	-
	Slip ved behov.	-	-	-	-	-	✓
Sverd	Kontroll.	✓	✓	-	-	-	-
	Ta av fra kjedesagen.	-	-	-	-	-	✓
Kjedebremse	Kontroller funksjonen.	✓	-	-	-	-	-
	Få den kontrollert jevnlig ved et autorisert servicesenter.	-	-	-	✓	-	-
Smøring av kjedet	Kontroller hastigheten på oljetilførselen.	✓	-	-	-	-	-
Startbryter	Kontroll.	✓	-	-	-	-	-
Av-spærreknapp	Kontroll.	✓	-	-	-	-	-
Oljetanklokk	Kontroller stramming.	✓	-	-	-	-	-
Kjedefanger	Kontroll.	-	-	✓	-	-	-
Skuer og muttere	Kontroll.	-	-	✓	-	-	-

For å opprettholde produktets SIKKERHET og PÅLITELIGHET, må reparasjoner, vedlikehold og justeringer utføres av autoriserte Makita servicesentre eller fabrikk servicesentre, og det må alltid brukes reservedeler fra Makita.

# FEILSØKING

Inspiser utstyret selv før du bestiller reparasjon. Ikke prøv å demontere verktøyet hvis du finner et problem som ikke er forklart i brukerveiledningen. I stedet bør du ta kontakt med et av Makitas autoriserte servicesentre, som alltid bruker reservedeler fra Makita til reparasjoner.

Feilstatus	Årsak	Handling
Motorsagen starter ikke.	De to batteriinnsettene er ikke satt inn.	Sett inn to ladede batterikassetter.
	Batteriproblem (lav spenning).	Lad batterikassetene. Hvis ladingen ikke virker, skal batterikassetten skiftes ut.
	Strømbryteren er av.	Motorsagen skrus av automatisk hvis den ikke er i bruk i en periode. Skru på strømbryteren igjen.
Sagkjedet går ikke.	Kjedebremsen er aktivert.	Frigi kjedebremsen.
Motoren stanser etter kort tids bruk.	Batteriets ladenivå er lavt.	Lad batterikassetene. Hvis ladingen ikke virker, skal batterikassetten skiftes ut.
Ikke noe olje på kjedet.	Oljetanken er tom.	Fyll oljetanken.
	Oljesporet er skittent.	Rengjør sporet.
	Dårlig oljeforsyning.	Juster oljetilførselen ved hjelp av justeringsskruen.
Motorsagen når ikke maksimal OPM.	Batteriet er riktig satt inn.	Sett inn batterikassetene som beskrevet i denne håndboken.
	Batterieffekten minsker.	Lad batterikassetene. Hvis ladingen ikke virker, skal batterikassetten skiftes ut.
	Drivsystemet virker ikke slik det skal.	Spør det autoriserte servicesenteret i området om reparasjon.
Strømlampen blinker.	Bryterutløseren trekkes ved forhold der verktøyet ikke kan brukes.	Trykk på bryterutløseren etter at strømbryteren er skrudd på og kjedebremsen er frigjitt.
Kjedet stopper ikke selv når kjedebremsen er aktivert: <b>Stans motoren umiddelbart!</b>	Bremsebåndet er utslitt.	Spør det autoriserte servicesenteret i området om reparasjon.
Unormale vibrasjoner: <b>Stans motoren umiddelbart!</b>	Løst sagkjede eller sverd.	Juster sverdet og spennet til sagkjedet.
	Verktøyet virker ikke.	Spør det autoriserte servicesenteret i området om reparasjon.

## VALGFRITT TILBEHØR

**⚠️ FORSIKTIG:** Det anbefales at du bruker dette tilbehøret eller verktøyet sammen med den Makita-maskinen som er spesifisert i denne håndboken. Bruk av annet tilbehør eller verktøy kan forårsake personskader. Tilbehør og verktøy må kun brukes til det formålet det er beregnet på.

Ta kontakt med ditt lokale Makita-servicesenter hvis du trenger mer informasjon om dette tilbehøret.

- Sagkjede
- Sverd
- Sverddeksel
- Fil
- Verktøypose
- Makita originalbatteri og lader

**⚠️ ADVARSEL:** Hvis du kjøper et sverd med en annen lengde enn standardsverdet, må du også kjøpe et egnet deksel for det. Det må passe og helt ut dekke sverdet på kjedesagen.

**MERK:** Enkelte elementer i listen kan være inkludert som standardtilbehør i verktøypakken. Elementene kan variere fra land til land.



## TEKNISET TIEDOT

Malli:		DUC303	DUC353	DUC400
Kokonaispituus (ilman terälevyä)		443 mm		
Nimellisjännite		DC 36 V		
Vakio akkupaketti		BL1815N, BL1820, BL1820B, BL1830, BL1830B, BL1840, BL1840B, BL1850, BL1850B, BL1860B		
Nettopaino (kun käytössä on BL1815N)	mallilla 90PX	4,6 kg	4,7 kg	4,8 kg
	mallilla 91PX	4,7 kg	4,8 kg	4,9 kg
Vakioterälevyn pituus		300 mm	350 mm	400 mm
Suosittelu terälevyn pituus		300 - 400 mm		
Käytettävän teräketjun tyyppi (katso lisätietoja allaolevasta taulukosta)		90PX 91PX		
Hammaspyörä	Hamasmäärä	6		
	Nousu	3/8"		
Ketjun nopeus		0 - 20 m/s (0 - 1 200 m/min)		
Ketjuöljysäiliön tilavuus		200 cm <sup>3</sup>		

### Teräketju ja terälevy

Teräketjun tyyppi		90PX		
Käyttölankkien määrä		46	52	56
Terälevy	Terälevyn pituus	300 mm	350 mm	400 mm
	Leikkauspituus	280 mm	330 mm	375 mm
	Nousu	3/8"		
	Asteikko	1,1 mm		
	Tyyppi	Terälevyn kärkihammaspyörä		

Teräketjun tyyppi		91PX		
Käyttölankkien määrä		46	52	56
Terälevy	Terälevyn pituus	300 mm	350 mm	400 mm
	Leikkauspituus	280 mm	330 mm	375 mm
	Nousu	3/8"		
	Asteikko	1,3 mm		
	Tyyppi	Terälevyn kärkihammaspyörä		

- Jatkuvasta tutkimus- ja kehitystyöstämme johtuen esitetyt tekniset tiedot saattavat muuttua ilman erillistä ilmoitusta.
- Tekniset tiedot ja akkupaketti voivat vaihdella maittain.
- Paino akkupaketilla, EPTA-menettelyn 01/2003 mukaan

**VAROITUS:** Sopiva terälevyn ja teräketjun yhdistelmä. Muussa tapauksessa voi seurauksena olla henkilövahinkoja.

### Symbolit

Laitteessa on käytetty seuraavia symboleja. Opettele niiden merkitys ennen käyttöä.



Lue käyttöohje.



Käytä suojalaseja.



Käytä kuulosuojaimia.



Käytä kypärää, suojalaseja ja kuulosuojaimia.



Käytä sopivia suoja- ja pitkähihaista paitaa ja pitkähihaisia housuja.



Älä altista laitetta kosteudelle.



Sallittu maksimileikkauspituus



Ketjun liikesuunta



Sahan ketjuöljyn säätö



Koskee vain EU-maita  
Älä hävitä sähkölaitteita tai akkuja tavallisen kotitalousjätteen mukana!  
Sähkö- ja elektroniikkalaiteromua koskevan EU-direktiivin ja paristoja ja akkuja koskevan direktiivin ja niiden maakohtaisten sovellusten mukaisesti käytetyt sähkölaitteet ja akut on toimitettava ongelmajätteen keräyspisteeseen ja ohjattava ympäristöystävälliseen kierrätykseen.

## Käyttötarkoitus

Ketjusaha on tarkoitettu vain puun sahaukseen.

## Melutaso

Tyypillinen A-painotettu melutaso määräytyy standardin EN60745 mukaan:

### Malli DUC303

Äänenpainetaso ( $L_{pA}$ ): 87,7 dB (A)

Äänen voiman taso ( $L_{WA}$ ): 100,4 dB (A)

Virhemarginaali (K): 2 dB (A)

### Malli DUC353

Äänenpainetaso ( $L_{pA}$ ): 87,7 dB (A)

Äänen voiman taso ( $L_{WA}$ ): 100,4 dB (A)

Virhemarginaali (K): 2 dB (A)

**VAROITUS:** Käytä kuulosuojaimia.

## Tärinä

Kokonaistärinä (kolmen akselin vektorien summa) määräytyy standardin EN60745 mukaan:

### Malli DUC303

Työtila: puun leikkaaminen

Tärinäpäästö ( $a_{h,w}$ ): 5,3 m/s<sup>2</sup>

Virhemarginaali (K): 1,5 m/s<sup>2</sup>

### Malli DUC353

Työtila: puun leikkaaminen

Tärinäpäästö ( $a_{h,w}$ ): 5,3 m/s<sup>2</sup>

Virhemarginaali (K): 1,5 m/s<sup>2</sup>

**HUOMAA:** Ilmoitettu tärinäpäästöarvo on mitattu standarditestaustasmenetelmän mukaisesti, ja sen avulla voidaan vertailla työkaluja keskenään.

**HUOMAA:** Ilmoitettua tärinäpäästöarvoa voidaan käyttää myös altistumisen alustavaan arviointiin.

**VAROITUS:** Työkalun käytön aikana mitattu todellinen tärinäpäästöarvo voi poiketa ilmoitetusta tärinäpäästöarvosta työkalun käyttötavan mukaan.

**VAROITUS:** Selvitä käyttäjän suojaamiseksi tarvittavat varoimet todellisissa käyttöolosuhteissa tapahtuvan arvioidun altistumisen mukaisesti (ottaen huomioon käyttöjaksot kokonaisuudessaan, myös jaksot, joiden aikana työkalu on sammutettuna tai käy tyhjäkäynnillä).

## EY-vaatimustenmukaisuusvakuutus

*Koskee vain Euroopan maita*

EY-vaatimustenmukaisuusvakuutus on liitetty tähän käyttöoppaaseen.

## TURVAVAROITUKSET

### Sähkötyökalujen käyttöä koskevat yleiset varoitukset

**VAROITUS:** Tutustu kaikkiin tämän sähkötyökalun mukana toimitettuihin varoituksiin, ohjeisiin, kuviiin ja teknisiin tietoihin. Seuraavassa lueteltujen ohjeiden noudattamatta jättäminen saattaa johtaa sähköiskuun, tulipaloon tai vakavaan vammautumiseen.

### Säilytä varoitukset ja ohjeet tulevaa käyttöä varten.

Varoituksissa käytettävällä termillä "sähkötyökalu" tarkoitetaan joko verkkovirtaa käyttävää (johdolla) työkalua tai akkukäyttöistä (johdotonta) työkalua.

### Akkukäyttöisen ketjusahan turvaohjeet

- Pidä kaikki jäsenet loitolla teräketjusta, kun ketjusahaa käytetään. Ennen kuin käynnistät ketjusahan, varmista, ettei sahan ketju osu mihinkään.** Hetkellinenkin käytönaikainen huolimattomuus voi aiheuttaa sen, että vaate tai jokin ruumiinjäsen jää kiinni teräketjuun.
- Pitele ketjusahaa aina siten, että oikea kätesi on takakahvalla ja vasen kätesi etukahvalla.** Ketjusahaa ei pidä koskaan käyttää kädet päinvastaisessa asennossa, sillä se suurentaa tapaturmavaaraa.
- Pitele sähkötyökalua vain sen eristetyistä tartuntapinnoista, sillä teräketju saattaa osua pilossa oleviin johtoihin.** Jos teräketju osuu jännitteeseen johtoon, jännite voi siirtyä työkalun sähköä johtaviin metalliosiin ja aiheuttaa käyttäjälle sähköiskun.
- Käytä suojalaseja ja kuulosuojaimia.** On suositeltavaa käyttää muitakin kasvoja, käsiä ja jalkoja suojaavia suojavälineitä. Asianmukaisesti suojatut työvaatteet suojaavat pirstaleilta sekä teräkosketukselta.
- Älä kiipeä ketjusahan kanssa puuhun.** Ketjusahan käyttäminen puussa voi johtaa henkilövahinkoihin.
- Seiso tasapainossa ja käytä ketjusahaa vain, kun olet tasaisella ja kiinteällä alustalla.** Liukkaat tai epävakaat alustat, kuten tikkaat, voivat aiheuttaa horjahtamisen ja sahan hallinnan menettämisen.
- Kun sahaat jännityksessä olevaa oksaa, ota huomioon vastaiskun mahdollisuus.** Oksasta vapautuva jännite voi saada oksan iskeytymään käyttäjää vasten ja/tai lyödä ketjusahan käyttäjän hallinnasta.

8. **Ole erityisen varovainen sahatessasi pensaikoja ja taimia.** Ohuet varret voivat tarttua teräketjuun ja iskeytyä käyttäjään tai vetää käyttäjän tasapainosta.
9. **Kun kannat ketjusahaa, sammuta se ja pitele kiinni etukahvasta siten, että saha suuntautuu itsestäsi pois päin. Aseta teräsuojus paikalleen kuljetuksen ja varastoinnin ajaksi.** Ketjusahan asianmukainen käsittely vähentää todennäköisyyttä, että liukuva terä osuu käyttäjään.
10. **Noudata voitelusta, teräketjun kiristamisestä ja lisävarusteiden vaihtamisesta annettuja ohjeita.** Väärin kiristetty tai voideltu ketju saattaa katketa tai lisätä takapotkun mahdollisuutta.
11. **Pidä kahvat kuivina ja puhtaina öljystä ja rasvasta.** Rasvaiset tai öljyiset kahvat ovat liukkaita ja voivat johtaa hallinnan menetykseen.
12. **Sahaa vain puuta. Älä käytä ketjusahaa työhön, johon sitä ei ole tarkoitettu.** Älä käytä ketjusahaa esimerkiksi muovin, tiilien tai muiden kuin puisten rakennusmateriaalien sahaamiseen. Ketjusahan käyttö tarkoituksiin, joihin sitä ei ole suunniteltu, voi aiheuttaa vaaratilanteen.
13. **Takapotkun syyt ja ennaltaehkäisevät toimet:** Takapotku voi aiheutua, jos terälevyn kärki koskettaa johonkin tai jos teräketju kiilautuu puun leikkuu-uraan. Jos kärki osuu johonkin, se voi saada terälevyn iskeytymään nopeasti taaksepäin käyttäjää kohti. Jos sahan terälevy kiilautuu puuhun yläreunastaan, se voi ponnahtaa käyttäjää kohti odottamatta. Kumpi tahansa näistä voi johtaa sahan hallinnan menettämiseen, jolloin seurauksena voi olla vakava henkilövahinko. Älä jätä turvallisuutta vain sahan turvalaitteiden varaan. Ketjusahan turvallinen käyttö edellyttää monenlaisia turvatoimia. Takapotku johtuu sahan virheellisestä käytöstä tai epäedullisista käyttöolosuhteista. Takapotku voidaan välttää noudattamalla seuraavia varotoimia:
  - Pitele sahasta kunnolla kiinni. Purista peukalot ja sormet sahan kahvojen ympärille ja seiso sellaisessa asennoissa, että voit vastustaa takapotkun voimaa. Takapotkut ovat käyttäjän hallittavissa, kunhan niihin valmistaudutaan asianmukaisesti. Älä irota otetta sahasta.

#### ► Kuva 1

- Älä kurota tai sahaa olkapäitäsä korkeammalla tasolla. Tämä vähentää todennäköisyyttä, että terälevyn kärki osuu johonkin tahattomasti sekä parantaa sahan hallittavuutta odottamattomissa tilanteissa.
  - Käytä vain valmistajan määrittelemiä terälevyjä ja teräketjuja. Vääräntyyppisten terälevyjen tai ketjujen käyttäminen voi aiheuttaa teräketjun katkeamisen ja/tai takapotkun.
  - Teroita ja huolla teräketju valmistajan ohjeiden mukaan. Syvytydensäätöhampaiden madaltaminen voi lisätä takapotkujen mahdollisuutta.
14. **Ennen työn aloittamista tarkista, että ketjusaha on toimintakunnossa ja turvämääräysten mukainen. Varmista erikseen, että:**
    - ketjujarru toimii moitteettomasti;
    - pysäytysjarru toimii moitteettomasti;

- terälevy ja hammaspyörän kotelo ovat paikoillaan;
- ketju on teroitettu ja kiristetty ohjeiden mukaan.

15. **Älä käynnistä ketjusahaa, kun ketjun suojus on asennettu sahaan.** Jos ketjusaha käynnistetään, kun teräketjun suojus on paikallaan, suojus voi lennättää eteenpäin ja aiheuttaa henkilövahinkoja tai aineellisia vahinkoja.

## SÄILYTÄ NÄMÄ OHJEET.

**VAROITUS:** ÄLÄ anna työkalun helppokäyttöisyyden (toistuvan käytön aikaansaama) johtaa sinua väärään turvallisuuden tunteeseen niin, että laiminlyöt työkalun turvaohjeiden noudattamisen. **VÄÄRINKÄYTTÖ** tai tässä käyttöohjeessa ilmoitettujen turvämääräysten laiminlyönti voi aiheuttaa vakavia henkilövahinkoja.

## Akkupakettia koskevia tärkeitä turvaohjeita

1. Ennen akun käyttöönottoa tutustu kaikkiin laturissa (1), akussa (2) ja akkukäyttöisessä tuotteessa (3) oleviin varoitusteksteihin.
2. Älä pura akkua.
3. Jos akun toiminta-aika lyhenee merkittävästi, lopeta akun käyttö. Seurauksena voi olla ylikuumentuminen, palovammoja tai jopa räjähdys.
4. Jos akkusetettä pääsee silmiin, huuhtele puhtaalla vedellä ja hakeudu välittömästi lääkärin hoitoon. Akkuneuste voi aiheuttaa näön menetyksen.
5. Älä oikosulje akkua.
  - (1) Älä koske akun napoihin millään sähköä johtavalla materiaaalilla.
  - (2) Vältä akun oikosulkemista äläkä säilytä akkua yhdessä muiden metalliesineiden, kuten naulojen, kolikoiden ja niin edelleen kanssa.
  - (3) Älä aseta akkua alttiiksi vedelle tai sateelle.
 Oikosulku voi aiheuttaa virtapiikin, ylikuumentumista, palovammoja tai laitteen rikkoontumisen.
6. Älä säilytä työkalua ja akkua paikassa, jossa lämpötila voi nousta 50 °C:een tai sitäkin korkeammaksi.
7. Älä hävitä akkua polttamalla, vaikka se olisi pahoin vaurioitunut tai täysin loppuun kulunut. Avotuli voi aiheuttaa akun räjähtämisen.
8. Varo kolhimasta tai pudottamasta akkua.
9. Älä käytä viallista akkua.
10. Sisältyviä litium-ioni-akkuja koskevat vaarallisten aineiden lainsäädännön vaatimukset. Esimerkiksi kolmansien osapuolten huolintaliikkeiden tulee kaupallisissa kuljetuksissa noudattaa pakkaamista ja merkintöjä koskevia erityisvaatimuksia. Lähetettävän tuotteen valmistelu edellyttää vaarallisten aineiden asiantuntijan neuvontaa. Huomioi myös mahdollisesti yksityiskohtaisemmat kansalliset määräykset

Akun avoimet liittimet tulee suojata teipillä tai suojuksella ja pakkaaminen tulee tehdä niin, ettei akku voi liikkua pakkauksessa.

11. Hävitä akku paikallisten määräysten mukaisesti.

## SÄILYTÄ NÄMÄ OHJEET.

**⚠HUOMIO:** Käytä vain alkuperäisiä Makita-akkuja. Muiden kuin aitojen Makita-akkujen, tai mahdollisesti muutettujen akkujen käyttö voi johtaa akun murtumiseen ja aiheuttaa tulipaloja, henkilö- ja omaisuusvahinkoja. Se mitätöi myös Makita-työkalun ja -laturin Makita-takuun.

## Vihjeitä akun käyttöiän pidentämiseksi

1. Lataa akku ennen kuin se purkautuu täysin. Lopeta aina työkalun käyttö ja lataa akku, jos huomaat työkalun tehon vähenevän.
2. Älä koskaan lataa uudestaan täysin ladattua akkua. Ylilataaminen lyhentää akun käyttöikää.
3. Lataa akku huoneen lämpötilassa välillä 10 °C - 40 °C. Anna kuuman akun jäähtyä ennen lataamista.
4. Lataa akkupaketti, jos et käytä sitä pitkään aikaan (yli kuusi kuukautta).

## OSIEN KUVAUS

### ► Kuva2

1	Akkupaketti	2	Etukäsisuoja	3	Terälevy
4	Teräketju	5	Vipu	6	Säätölevy
7	Tarkistuspainike	8	Varaustason merkkivalo	9	Päävirran merkkivalo
10	Päävirtakytkin	11	Lukitusvipu	12	Takakahva
13	Liipaisinkytkin	14	Etukahva	15	Öljysäiliön korkki
16	Ketjusiippo	17	Säätöruuvi (öljypumpulle)	18	Terälevyn suojus

## TOIMINTOJEN KUVAUS

**⚠HUOMIO:** Varmista aina ennen säätöjä ja tarkastuksia, että työkalu on sammutettu ja akkupaketti irrotettu.

### Akun asentaminen tai irrottaminen

**⚠HUOMIO:** Sammuta työkalu aina ennen akun kiinnittämistä tai irrottamista.

**⚠HUOMIO:** Pidä työkalusta ja akusta tiukasti kiinni, kun irrotat tai kiinnität akkua. Jos akkupaketti tai työkalu putoaa, ne voivat vaurioitua tai aiheuttaa tapaturman.

- **Kuva3:** 1. Punainen merkkivalo 2. Painike 3. Akkupaketti

Irrota akku painamalla akun etupuolella olevaa painiketta ja vetämällä akku ulos työkalusta.

Akku liitetään sovittamalla akun kieleke rungon uraan ja työntämällä se sitten paikoilleen. Työnnä akku pohjaan asti niin, että kuulet sen napsahtavan paikoilleen. Jos painikkeen yläpuolella näkyy punainen ilmaisin, akku ei ole lukkiutunut täysin paikoilleen.

**⚠HUOMIO:** Työnnä akku aina pohjaan asti, niin että punainen ilmaisin ei enää näy. Jos akku ei ole kunnolla paikallaan, se voi pudota työkalusta ja aiheuttaa vammoja joko sinulle tai sivullisille.

**⚠HUOMIO:** Älä käytä voimaa akun asennuksessa. Jos akku ei liu'u paikalleen helposti, se on väärässä asennossa.

**HUOMAA:** Työkalu ei toimi yhdellä akulla.

**HUOMAA:** Huomioi sormiesi asento akun asennuksen yhteydessä. Painiketta voidaan painaa vahingossa.

### Työkalun/akun suojausjärjestelmä





Työkalu on varustettu työkalu/akun suojausjärjestelmällä. Tämä järjestelmä pidentää työkalun ja akun käyttöikää katkaisemalla automaattisesti moottorin virran. Työkalu pysähtyy automaattisesti kesken käytön, jos työkalussa tai akussa ilmenee jokin seuraavista tilanteista: Joissakin tilanteissa merkkivalot syttyvät.

### Ylikuormitussuoja

Kun työkalua käytetään tavalla, joka saa sen kulutamaan epätavallisen suuren määrän virtaa, työkalu pysähtyy automaattisesti ja akun ilmaisimet vilkkuvat. Katkaise tässä tilanteessa työkalusta virta ja lopeta ylikuormitustilan aiheuttanut käyttö. Käynnistä sitten työkalu uudelleen kytkemällä siihen virta.

### Ylikuumenemissuoja

Kun työkalu ylikuumentuu, työkalu pysähtyy automaattisesti ja varaustason merkkivalo vilkkuu. Anna silloin työkalun jäähtyä, ennen kuin kytket työkalun uudelleen päälle.

Varaustason merkkivalon tila			Tila
			
Päällä	Pois päältä	Vilkkuu	
			Ylikuumentunut.








## Ylipurkautumisuoja

Jos akun varaus käy vähiin, työkalu pysähtyy automaattisesti. Jos työkalu ei toimi, vaikka kytkimiä käytetään, irrota akut työkalusta ja lataa ne.

### Akun jäljellä olevan varaustason ilmaisimien

► **Kuva4:** 1. Tarkistuspainike 2. Varaustason merkkivalo

Jäljellä oleva varaus näytetään kun tarkistuspainiketta painetaan. Kumpikin varaustason merkkivalo vastaa yhtä akkua.












Varaustason merkkivalon tila			Akussa jäljellä oleva varaus
 Päällä	 Pois päältä	 Viikkuu	
			50 % - 100 %
			20 % - 50 %
			0 % - 20 %
			Lataa akku

### Akun jäljellä olevan varaustason ilmaisimien

Vain akkupaketeille ilmaisimella

► **Kuva5:** 1. Merkkivalot 2. Tarkistuspainike

Painamalla tarkistuspainiketta saat näkyviin akun jäljellä olevan varaus. Merkkivalot palavat muutaman sekunnin ajan.

Merkkivalot			Akussa jäljellä olevan varaus
 Palaa	 Pois päältä	 Viikkuu	
			75% - 100%
			50% - 75%
			25% - 50%
			0% - 25%
			Lataa akku.
			Akussa on saattanut olla toimintahäiriö.
			

**HUOMAA:** Ilmoitettu varaustaso voi erota hieman todellisesta varaustasosta sen mukaan, millaisissa oloissa ja missä lämpötilassa laitetta käytetään.

## Päävirtakytkin

**VAROITUS:** Kytke aina päävirtakytkin pois päältä, kun työkalua ei käytetä.

Ketjusahan asettamiseksi valmiustilaan, paina päävirta-kytkintä, kunnes päävirran merkkivalo syttyy. Sammuta painamalla päävirta-kytkintä uudelleen.

► **Kuva6:** 1. Päävirta-kytkin

**HUOMAA:** Päävirran merkkivalo vilkkuu, jos kytkinliipaisinta painetaan käyttämättömässä tilassa. Valo vilkkuu, jos

- kytke päävirta-kytkin päälle pitämällä samalla lukkovipua ja kytkinliipaisinta painettuna;
- paina liipaisinkytkintä kun ketjujarrua käytetään;
- vapauta ketjujarru pitämällä samalla lukkovipua ja kytkinliipaisinta painettuna.

**HUOMAA:** Tämä ketjusaha sisältää automaattisen sammutustoiminnon. Tahattoman käynnistyksen välttämiseksi, sammuta päävirta-kytkin automaattisesti, kun liipaisinkytkintä ei paineta tietyn ajan kuluessa, kun päävirta-kytkin on kytketty päälle.

## Kytkimien käyttäminen

**VAROITUS:** Käyttäjän turvallisuuden vuoksi työkalussa on lukitusvipu, joka estää sen käynnistämisen vahingossa. ÄLÄ koskaan käytä työkalua, jos se käynnistyy pelkästään liipaisinkytkintä painamalla ilman, että lukitusvipua painetaan. Toimita työkalu valtuutettuun huoltoon korjattavaksi ENNEN kuin jatkat käyttöä.

**VAROITUS:** ÄLÄ koskaan teippaa tai ohita lukitusvipua.

**HUOMIO:** Tarkista aina ennen akkupaketin asettamista työkaluun, että liipaisinkytkin kytketty oikein ja palaa "OFF"-asentoon, kun se vapautetaan.

**HUOMAUTUS:** Älä vedä liipaisinkytkimestä voimakkaasti, ellei samalla paina lukituksen vapautusvipusta. Kytkin voi rikkoutua.

Laitteessa on lukitusvipu, joka estää liipaisinkytkimen painamisen vahingossa. Käynnistä laite painamalla lukituspainike sisään ja vetämällä liipaisinkytkimestä. Pysäytä vapauttamalla liipaisinkytkin.

► **Kuva7:** 1. Liipaisinkytkin 2. Lukitusvipu

## Ketjujarrun toiminnan tarkistus

**⚠️HUOMIO:** Pidä sahaa molemmin käsin, kun käynnistät sen. Tartu takakahvaan oikealla kädellä ja etukahvaan vasemmalla. Terälevy ja ketju eivät saa koskettaa mihinkään.

**⚠️HUOMIO:** Jos saha ei testatessa heti pysähdy, sitä ei saa missään tapauksessa käyttää. Ota yhteys valtuutettuun huoltoilikkeeseen.

1. Paina lukituksen vapautuspainiketta ja sitten liipaisinkytkintä. Saha käynnistyy heti.
2. Paina etukäsisuojusta eteenpäin kämmenselällä. Varmista, että saha pysähtyy heti.  
▶ **Kuva8:** 1. Etukäsisuoja 2. Avattu asento 3. Lukittu asento

## Pysäytysjarrun toiminnon tarkastaminen

**⚠️HUOMIO:** Jos saha ei testatessa heti pysähdy sekunnin kuluessa, Lopeta sahan käyttö ja ota yhteys valtuutettuun huoltoilikkeeseen.

Käytä sahaa ja vapauta sitten liipaisinkytkin kokonaan. Sahan pitäisi pysähtyä yhdessä sekunnissa.

## Ketjun voitelun säätö

Öljypumpun syöttönopeutta voi säätää säätöruuvien avulla. Öljyn määrää voi säätää yleisavaimella.

▶ **Kuva9:** 1. Säätöruuvi

## KOKOONPANO

**⚠️HUOMIO:** Varmista aina ennen mitään työkalulle tehtäviä toimenpiteitä, että se on sammutettu ja akku irrotettu.

**⚠️HUOMIO:** Älä koske teräketjuun paljain käsin. Käytä aina suojakäsineitä, kun käsittelet terää.

## Ketjun irrotus ja kiinnitys

**⚠️HUOMIO:** Teräketju ja terälevy ovat käytön jälkeen kuumia. Anna niiden jäähtyä riittävästi, ennen kuin teet työkalulle mitään huoltotoimenpiteitä.

Irrota ketju toimimalla seuraavasti:

1. vedä vipua ylös painaessasi sen reunaan.  
▶ **Kuva10:** 1. Vipua
2. Löysää ketjun kireyttä kääntämällä säätölevyä miinussuuntaan.  
▶ **Kuva11:** 1. Säätölevy
3. Käännä vipua vastapäivään, kunnes hammaspyörän kotelo irtoaa.  
▶ **Kuva12:** 1. Vipua 2. Hammaspyörän kotelo

4. Irrota hammaspyörän kotelo, sitten teräketju ja terälevy ketjusahan rungosta.

Kiinnitä ketju toimimalla seuraavasti:

1. Tarkista ketjun pyörimissuunta. Pyörimissuunta on merkitty ketjuun nuolella.
2. Aseta ketjun toinen pää terälevyn päälle ja toinen pää hammaspyörälle.  
▶ **Kuva13:** 1. Hammaspyörä
3. Aseta terälevy paikoilleen sahaan.
4. Siirrä säätötappia nuolen suuntaan kiertämällä säätölevyä miinusmerkin suuntaan.  
▶ **Kuva14:** 1. Säätötappi
5. Aseta hammaspyörän kotelo sahaan siten, että säätötappi osuu terälevyissä olevaan pieneen aukkoon.  
▶ **Kuva15:** 1. Hammaspyörän kotelo 2. Terälevy 3. Reikä

6. Käännä vipua myötäpäivään ääriasentoon saakka ja käännä sitä sitten neljänneskierto takaisinpäin, jotta ketju pysyy sopivan löysällä kireyden säätöä varten.

7. Säädä teräketjun kireyttä kääntämällä säätölevyä.

8. Käännä vipua myötäpäivään, kunnes hammaspyörän kotelo on kiinnitetty ja palauta se alkuperäiseen asentoon.

▶ **Kuva16:** 1. Vipua 2. Hammaspyörän kotelo

## Ketjunkireyden säätö

**⚠️HUOMIO:** Kiinnitä ja irrota ketju puhtaassa tilassa, jossa ei ole sahanpurua tms.

**⚠️HUOMIO:** Älä kiristä ketjua liikaa. Jos ketju on liian kireällä, se voi katketa, kuluttaa terälevyä ja rikkoa säätölevyn.

**⚠️HUOMIO:** Jos ketju on liian löysällä, se voi hypätä pois terälevystä ja aiheuttaa siten vaaratilanteen.

Ketju voi löystyä usean tunnin käytön jälkeen. Tarkista ketjun kireys ennen käyttöä.

1. Paina vipua ja avaa se kokonaan ääriasentoonsa saakka, kunnes se napsahtaa. Löysää hammaspyörän koteloa aavistuksen verran kääntämällä vipua hieman vastapäivään.

▶ **Kuva17:** 1. Vipua 2. Hammaspyörän kotelo

2. Nosta terälevyn kärkeä kevyesti ja säädä ketjun kireys. Käännä säätölevyä miinussuuntaan löysäämiseksi ja plussuuntaan kiristääkseen. Kiristä teräketjua, kunnes teräketjun alaosa osuu terälevyn uraan kuvaan mukaan.

▶ **Kuva18:** 1. Säätölevy 2. Terälevy 3. Teräketju

3. Kannattele terälevyä kevyesti ja kiristä ketjupyörän kotelo. Varmista, ettei teräketju löysty terälevyn alapuolella.

4. Käännä vipu alkuperäiseen asentoon.

▶ **Kuva19:** 1. Vipua 2. Hammaspyörän kotelo

Varmista, että teräketju on terälevyn alareunaan vasten.

# TYÖSKENTELY

## Voitelu

Teräketju voidellaan automaattisesti, kun sahaa käytetään. Tarkista öljysäiliössä jäljellä olevan öljyn määrä säännöllisesti.

Täytä säiliö asettamalla ketjusaha kyljelleen ja irrota öljysäiliön korkki. Sopiva öljymäärä on 200 ml. Kun säiliö on täytetty varmista, että öljysäiliön korkki kiinnitetään kunnolla.

► **Kuva20:** 1. Öljysäiliön korkki 2. Öljysäiliö (läpinäkyvä)

Pidä saha erossa puusta täytön jälkeen. Käynnistä saha ja odota, että voitelu alkaa toimia kunnolla.

► **Kuva21**

**HUOMAUTUS:** Kun täytät sahan öljysäiliötä ensimmäistä kertaa tai kun lisäät öljyä täysin tyhjenneeseen säiliöön, lisää öljyä täyttökaulan alareunaan asti. Muutoin öljyn syötössä voi esiintyä häiriöitä.

**HUOMAUTUS:** Käytä Makita-teräketjuöljyjä tai muita vastaavia myynnissä olevia teräketjuöljyjä.

**HUOMAUTUS:** Älä käytä öljyä, jossa on liikaa tai roskia tai haihtuvia öljyjä.

**HUOMAUTUS:** Käytä puiden oksia karsiessasi kasviöljyjä. Mineraliöljyt voivat vahingoittaa puita.

**HUOMAUTUS:** Varmista, että öljysäiliön korkki on paikallaan, ennen kuin aloitat sahaamisen.

## KETJUSAHAN KÄYTTÖ

**▲HUOMIO:** Henkilön, joka ei ole aikaisemmin käyttänyt moottorisahaa, on hyödyllistä harjoitella sahan käyttöä ensin sahaamalla puita sahapukissa tai muussa telineessä.

**▲HUOMIO:** Sahatavaraa sahattaessa on käytettävä asianmukaista tukea (sahapukkia tai muuta telinettä). Älä pidä sahattavaa kappaletta paikallaan jalallasi äläkä anna kenenkään muun pitää sitä paikallaan.

**▲HUOMIO:** Estä pyöreiden kappaleiden pyöräminen.

**▲HUOMIO:** Pidä kaikki rungon osat loitolla ketjusta moottorin ollessa käynnissä.

**▲HUOMIO:** Pidä sahaa hyvin molemmin käsin kun se on käynnissä.

**▲HUOMIO:** Älä kurkota. Seiso tukevassa asennossa ja säilytä tasapainosi.

**HUOMAUTUS:** Älä koskaan heitä tai pudota työkalua.

**HUOMAUTUS:** Älä peitä työkalun ilmanvaihtoaukkoja.

Tuo ketjusahan rungon alareuna oksan kanssa yhteyteen sen katkaisemiseksi ennen päälle kytkemistä. Muutoin terälevy saattaa heilua, mikä voi aiheuttaa vamman käyttäjälle. Saha puu liikuttamalla sahaa alaspäin sen oman painon voimasta.

► **Kuva22**

Jos et pysty leikkaamaan puuta täysin läpi yhdellä vetäisyllä:

Sovella kevyttä painetta kahvaan ja jatka sahaamista ja vedä sahaa taaksepäin hieman; sovelta sitten kaarnapiikkiä hieman alampana ja tee loppuun leikkaus nostamalla kahvaa.

► **Kuva23**

## Katkaisu

1. Tuo ketjusahan rungon alareuna oksan kanssa yhteyteen sen katkaisemiseksi.

► **Kuva24**

2. Kun ketju pyörii, ala sahata puuta niin, että nostat sahaa takakahvasta ja ohjaat etukahvasta. Käytä kaarnapiikkiä tukipisteenä.

3. Jatka sahaamista lisäämällä hieman painetta etukahvaan ja kääntämällä sahaa hieman taakse. Siirrä kaarnapiikkiä hieman alemmas puun pinnalla ja nosta etukahvaa uudelleen.

**HUOMAUTUS:** Jos katkaiset puun useammasta kohtaa, sammuta saha katkaisukohtien välillä.

**▲HUOMIO:** Jos terälevyn yläreunaa käytetään katkaisuun, saha voi ponnahtaa käyttäjää kohti, jos se juuttuu. Käytä siksi katkaisuun terälevyn alareunaa, jolloin saha vetää aina käyttäjästä pois päin.

► **Kuva25**

Sahaa jännityksen alaista puuta ensin siltä puolelta, johon puristus kohdistuu (A). Tee sitten lopullinen katkos vetojännityksen alaisella puolella (B). Näin terälevy ei juutu kiinni.

► **Kuva26**

## Karsinta

**▲HUOMIO:** Oksien karsintaa saa tehdä vain käyttökoulutuksen saanut henkilö. Vaarana on sahan takapotku.

Oksia karsittaessa saha on mahdollisuuksien mukaan tuettava runkoon. Älä käytä terälevyn kärkeä, ettei saha pääse potkaisemaan.

Kiinnitä erityistä huomioita jännityksen alaisiin oksiin.

Älä katkaise ilman tukea olevia oksia alapuolelta.

Älä seiso kaadetun rungon päälle oksia karsiessasi.

## Koloaminen ja syyn suuntainen sahaus

**▲HUOMIO:** Koloamista ja syyn suuntaista sahausta saavat tehdä vain asianmukaisen koulutuksen saaneet henkilöt. Takapotkun mahdollisuus aiheuttaa loukkaantumisvaaran.

Tee syyn suuntainen sahaus mahdollisimman loivassa kulmassa. Ole erityisen varovainen sahausajan aikana, koska kaarnapiikkiä ei voida käyttää.

► **Kuva27**

## Kaatuminen

**▲HUOMIO:** Puita saa kaataa vain asianmukaisen käyttökoulutuksen saanut henkilö. Työ on vaarallista.

Jos haluat kaataa puun, noudata paikallisia määräyksiä.

► **Kuva28:** 1. Kaatoalue

- Ennen työn aloittamista, varmista, että:
    - lähistöllä ei ole muita kuin kaatoon osallistuvia henkilöitä;
    - jokaisella työhön osallistuvalla on esteetön poistumisreitti noin 45 asteen sektorissa kaadettavan puun pituusakselin kummallakin puolella. Ota huomioon sähköjohtoihin kompastumisen vaara;
    - rungon tyvessä ei ole vieraita esineitä, juuria tai oksia;
    - ketään ihmisiä tai mitään esineitä ei ole 2 1/2 rungonmitan päässä puun kaatumissuunnassa.
  - Ota jokaisen puun kohdalla huomioon seuraavat seikat:
    - kallistumissuunta;
    - irtonaiset tai kuivat oksat;
    - puun korkeus;
    - luonnonmukainen ylitys;
    - onko puu laho.
  - Ota huomioon tuulen voimakkuus ja suunta. Älä kaada puuta, jos tuuli on puuskaista.
  - Juurten katkominen: Aloita isoimmista juurista. Tee ensin pysty- ja sitten vaakasahaus.
  - Asetu kaatuvan puun sivulle. Huolehdi siitä, että kaatuvan puun taakse jää sen pituusakselin kummallekin puolelle 45 asteen esteetön sektori (ks. kaatoaluetta kuvaava piirros). Varo oksia.
  - Suunnittele itsellesi esteetön pakoreitti, ennen kuin aloitat sahaamisen. Pakoreitin tulee suuntautua vinosti taaksepäin ja sen täytyy ulottua kaatoalueen ulkopuolelle kuvan osoittamalla tavalla.
- **Kuva29:** 1. Kaatamissuunta 2. Vaara-alue 3. Pakoreitti

Noudata alla olevia ohjeita puita kaadettaessa:

1. Saha kaatolovi mahdollisimman lähelle maan pintaa. Tee ensin vaakasahaus, jonka syvyys vastaa 1/5 - 1/3 rungon halkaisijasta. Älä tee lovesta liian suurta. Tee sitten vino yläsahaus.

► **Kuva30**

**HUOMAA:** Lovi määrää ja ohjaa, mihin suuntaan puu kaatuu. Lovi tehdään sille puolelle, johon puun on määrä kaataa.

2. Sahaa rungon vastakkaiselle puolelle tehtävä sahaus vähän kaatoloven alapintaa ylemmäksi. Vastapuolen sahaus täytyy olla täysin vaakasuora. Jätä vastapuolen viilloksen ja loven väliin pitopuuta noin 1/10 puun halkaisijasta. Ehjäksi jätetty pitopuu toimii saranana. Aseta kiilat vastapuolen sahauskeeseen ajoissa.

► **Kuva31**

**▲VAROITUS:** Älä saha kokonaan puun läpi missään tilanteessa. Muutoin puu kaatuu hallitsemattomasti.

**HUOMIO:** Vastapuolen sahauskeiden auki pitämiseksi saa käyttää vain muovi- tai alumiini-kiiloja. Rautakiilojen käyttö on kielletty.

## Koneen kantaminen

Ennen työkalun kantamista, kytke ketjujarru ja irrota akkupaketit työkalusta. Kiinnitä sitten terälevyn suoja. Peitä myös akku sen kannella.

► **Kuva32:** 1. Terälevyn suojus 2. Akun suojus

## KUNNOSSAPITO

**▲HUOMIO:** Varmista aina ennen tarkastusta tai huoltoa, että työkalu on sammutettu ja akku irrotettu.

**▲HUOMIO:** Käytä aina suojakäsineitä, kun tarkastat laitetta tai teet huoltotyötä.

**HUOMAUTUS:** Älä koskaan käytä bensiiniä, ohenteita, alkoholia tai tms. aineita. Muutoin pinta voi halkeilla tai sen värit ja muoto voivat muuttua. Muutoin laitteeseen voi tulla värjäytyksiä, muodon vääristymiä tai halkeamia.

## Ketjun teroitus

**Teroita ketju, kun:**

- Kosteaa puuta sahatessa syntyy jauhomaista sahajauhoa;
- Ketju tunkeutuu puuhun heikosti, vaikka sahaa painettaisiin voimakkaasti;
- Leikkuureuna on selvästi vaurioitunut;
- Saha vetää puussa vasemmalle tai oikealle. (tähän on syynä ketjun epätasainen teroitus tai toisen puolen vaurioituminen)

Teroita ketju säännöllisesti, mutta poista vain vähän materiaalia kerrallaan. Kaksi tai kolme viilan vetoa tavallisesti riittää tavanomaisessa teroituksessa. Kun olet teroittanut ketjun useaan kertaan, teroituta se valtuutetussa huoltoliikkeessä.

**Teroituskriteerit:**

**▲VAROITUS:** Suuri etäisyys leikkausterän ja syvyydensäätohampaan välillä lisää takapotkun vaaraa.

► **Kuva33:** 1. Leikkauspituus 2. Etäisyys leikkausterän ja syvyydensäätohampaan välillä 3. Minimileikkauspituus (3 mm)

- Kaikkien hampaiden täytyy olla yhtä pitkiä. Eripituiset hampaat estävät ketjuja pyörimästä tasaisesti ja voivat aiheuttaa ketjun katkeamisen.
- Älä teroita ketjuja, kun hampaan pituus on 3 mm tai lyhyempi. Ketju on vaihdettava uuteen.



- Lastun paksuuden määrää syvydensäätöhampaan (pyöreä kärki) ja leikkuureunan välinen etäisyys.
- Paras sahaustulos saadaan, kun leikkuuterän ja syvydensäätöhampaan välinen etäisyys on seuraava.
  - Ketjuterä 90PX : 0,65 mm (0,025")
  - Ketjuterä 91PX : 0,65 mm (0,025")

#### ► Kuva34

- Kaikkien hampaiden teroituskulman täytyy olla 30 astetta. Kulmapoikkeamat saavat ketjun pyörimään epätasaisesti, lisäävät kulumista ja aiheuttavat ketjujen katkeamisen.
- Käytä sopivaa pyöreää viilaa, jotta oikea teroituskulma pidetään hampaassa.
  - Ketjuterä 90PX : 55°:ssa
  - Ketjuterä 91PX : 55°:ssa

#### Viila ja viilan opaste

- Käytä ketjun teroitukseen pyöreää erikoisviilaa (lisävaruste). Tavanomaiset pyöreät viilat eivät sovi tähän tarkoitukseen.
- Pyöreän viilan läpimitat kullekin ketjulle ovat seuraavat:
  - Ketjuterä 90PX : 4,5 mm (3/16")
  - Ketjuterä 91PX : 4,0 mm (5/32")
- Viila saa ottaa hampaaseen vain eteenpäin suuntautuvalla vedolla. Nosta viila irti hampaasta paluuedolla.
- Teroita lyhyin hammas ensimmäiseksi. Tämän hampaan pituutta käytetään sitten ketjun muiden hampaiden mittana.
- Ohjaa viilaa kuvan osoittamalla tavalla.

#### ► Kuva35: 1. Viila 2. Teräketju

- Viilan ohjaaminen helpottuu, jos käytetään viilaohjainta (lisävaruste). Oikea 30° teroituskulma on merkitty viilaohjaimen (kohdista merkinnät niin, että ne ovat yksisuuntaisia teräketjun kanssa). Ohjain rajoittaa myös tunkeumasyvyyden oikeaksi (4/5 viilan halkaisijasta).
- Pyöristä syvydensäätöhampaan etuosa uudelleen.

### Terälevyn puhdistus

Lastut ja sahanpuru kerääntyvät terälevyuraan. Ne tukkivat sen ja heikentävät öljyn virtauksen. Puhdista saha aina lastuista ja sahanpuruista sahan teroituksen tai ketjunvaihdon yhteydessä.

#### ► Kuva38

### Hammaspyörän kotelon puhdistaminen

Lastut ja sahanpuru kerääntyvät hammaspyörän koteloon. Irrota hammaspyörän kotelo ja teräketju työkalusta ja poista lastut ja sahanpuru.

#### ► Kuva39

### Öljynpäästöaukon puhdistus

Öljynpäästöaukkoon saattaa kerääntyä käytön aikana hienojakoista pölyä tai muita hiukkasia. Öljysuodattimessa kerääntynyt vähäinen pöly tai muut hiukkaset saattavat heikentää päästövirtaa ja aiheuttaa sahalle riittämättömän voitelun. Jos terälevyn kärkeen ei tule riittävästi öljyä, puhdista öljynpäästöaukko seuraavasti.

1. Poista hammaspyörän kotelo ja ketju työkalusta.
  2. Poista hienojakoinen pöly tai hiukkaset ohutvartisella tasapääruuvitaltalla tai vastaavalla.
- **Kuva40:** 1. Ristipääruuvitalta 2. Öljynpoistoaukko
3. Kiinnitä akkupaketti ketjusahaan. Vedä liipaisinkytkimestä, jotta kerääntynyt pöly tai muut hiukkaset voisivat virrata pois öljynpäästöaukosta ketjuöljyn vapauttaen.
  4. Irrota akkupaketti työkalusta. Asenna uudelleen hammaspyörän kotelo ja ketju työkaluun.

### Hammaspyörän vaihtaminen

**⚠HUOMIO:** Kulunut hammaspyörä vahingoittaa uutta teräketjua. Tässä tapauksessa vaihda kulunut hammaspyörä.

Ennen uuden ketjun kiinnitystä tarkista hammaspyörän kunto.

#### ► Kuva41: 1. Hammaspyörä 2. Kuluvat alueet

Vaihda myös lukitusrenkas hammaspyörän vaihdon yhteydessä.

#### ► Kuva42: 1. Lukitusrenkas 2. Hammaspyörä

**HUOMAUTUS:** Varmista, että hammaspyörä asennetaan kuvan esittämällä tavalla.

### Työkalun säilyttäminen

1. Puhdista ketjusaha ennen säilytystä. Poista kaikki lastut ja sahanpurut ketjusahasta hammaspyörän suojuksen poistamisen jälkeen.
2. Kun olet puhdistanut sahan, käytä sitä ilman kuormaa, jotta öljy levittyy terälevyn ja ketjuun.
3. Aseta terälevyn suojus paikalleen terälevyn päälle.
4. Tyhjennä öljysäiliö.

## Määräaikaishuolto

Tekemällä seuraavat huoltotoimenpiteet säännöllisesti voit varmistaa pitkän käyttöiän, ehkäistä vikoja ja varmistaa turvalaitteiden moitteettoman toiminnan. Takuu edellyttää, että huollot tehdään säännöllisesti ja ohjeiden mukaan. Huollon laiminlyönti voi aiheuttaa tapaturmavaaran! Ketjusahan käyttäjä ei saa tehdä muita kuin tässä oppaassa kuvattuja huoltotyöitä. Kaikki tällaiset huoltotyöt on teetettävä valtuutetussa huoltoliikkeessä.

Tarkistettava kohde / käyttöaika		Ennen käyttöä	Päivittäin	Kerran viikossa	3 kuukauden välein	Kerran vuodessa	Ennen varastointia
Ketjusaha	Tarkastus.	✓	-	-	-	-	-
	Puhdistus.	-	✓	-	-	-	-
	Ota yhteys valtuutettuun huoltoliikkeeseen.	-	-	-	-	✓	✓
Teräketju	Tarkastus.	✓	-	-	-	-	-
	Teroita tarvittaessa.	-	-	-	-	-	✓
Terälevy	Tarkastus.	✓	✓	-	-	-	-
	Irrota ketjusahasta.	-	-	-	-	-	✓
Ketjujarru	Tarkista toiminta.	✓	-	-	-	-	-
	Tarkistuta se säännöllisesti valtuutetussa huoltoliikkeessä.	-	-	-	✓	-	-
Ketjun voitelu	Tarkista öljynsyöttömäärä.	✓	-	-	-	-	-
Liipaisinkytkin	Tarkastus.	✓	-	-	-	-	-
Lukitusvipu	Tarkastus.	✓	-	-	-	-	-
Öljysäiliön korkki	Tarkista kireys.	✓	-	-	-	-	-
Ketjusieppo	Tarkastus.	-	-	✓	-	-	-
Ruuvit ja mutterit	Tarkastus.	-	-	✓	-	-	-

Tuotteen TURVALLISUUDEN ja LUOTETTAVUUDEN takaamiseksi korjaukset, muut huoltotyöt ja säädöt on teetettävä Makitan valtuutetussa huoltopisteessä Makitan varaosia käyttäen.

# VIANMÄÄRITYS

Tarkista laite ensin itse, ennen kuin viet sen korjattavaksi. Jos ongelmaan ei löydy ratkaisua käyttöoppaasta, älä kuitenkaan yritä purkaa työkalua osiin. Vie ota sen sijaan yhteyttä Makita-huoltoliikkeeseen. Käytä korjaamiseen aina alkuperäisiä Makita-varaosia.

Toimintahäiriö	Syy	Toimenpide
Ketjusaha ei käynnisty.	Kahta akkupakettia ei ole asennettu.	Asenna kaksi ladatakua akkua paikalleen.
	Akkuongelma (alijännite).	Lataa akkupaketit. Jos lataaminen ei toimi tehokkaasti, vaihda akkupakettia.
	Päävirtakytkin pois päältä.	Ketjusaha sammuu automaattisesti, jos sitä ei käytetä tietyn ajan kuluessa. Kytke päävirtakytkin päälle uudelleen.
Saha ei toimi.	Ketjujarru kytketty.	Vapauta ketjujarru.
Moottori pysähtyy lyhyen käytön jälkeen.	Akun varaustila on alhainen.	Lataa akkupaketit. Jos lataaminen ei toimi tehokkaasti, vaihda akkupakettia.
Ketjussa ei ole öljyä.	Öljysäiliö tyhjä.	Täytä öljysäiliö.
	Öljyn syöttöura on liikainen.	Puhdista ura.
	Heikko öljynsyöttö.	Säädä öljynsyöttöä säätöruuvilla.
Ketjusaha ei saavuta suurinta kierroslukua.	Akkupaketti on asennettu väärin.	Asenna akkupaketit tämän käyttöohjeen ohjeiden mukaan.
	Akun teho laskee.	Lataa akkupaketit. Jos lataaminen ei toimi tehokkaasti, vaihda akkupakettia.
	Vetojärjestelmä ei toimi oikein.	Pyydä valtuutettua paikallista huoltoliikettä korjaamaan laite.
Päävirran merkkivalo vilkkuu.	Liipaisinkytkintä painettu käyttämättömässä tilassa.	Paina liipaisinkytkintä kun päävirtakytkin on kytketty päälle ja ketjujarru vapautettu.
Ketju ei pysähdy vaikka ketjujarru aktivoituu: <b>Pysäytä kone välittömästi!</b>	Jarrunauha on kulunut.	Pyydä valtuutettua paikallista huoltoliikettä korjaamaan laite.
Epänormaali tärinä: <b>Pysäytä kone välittömästi!</b>	Löysää terälevyä tai teräketjua.	Säädä terälevyä ja teräketjun kireyttä.
	Työkalun toimintahäiriö.	Pyydä valtuutettua paikallista huoltoliikettä korjaamaan laite.

## LISÄVARUSTEET

**⚠️HUOMIO:** Seuraavia lisävarusteita tai laitteita suositellaan käytettäväksi tässä ohjeessa kuvatun Makita-työkalun kanssa. Muiden lisävarusteiden tai laitteiden käyttö voi aiheuttaa henkilövahinkoja. Käytä lisävarusteita ja -laitteita vain niiden käyttötarkoituksen mukaisesti.

Jos tarvitset apua tai yksityiskohtaisempia tietoja seuraavista lisävarusteista, ota yhteys paikalliseen Makitan huoltoon.

- Teräketju
- Terälevy
- Terälevyn suojus
- Viila
- Työkalulaukku
- Aito Makita-akku ja -laturi

**⚠️VAROITUS:** Jos ostat muunpituisen kuin vakioterälevyn, osta myös siihen sopiva terälevyn suoja. Sen on sovittava terälevyyn ja peitettävä se kokonaan.

**HUOMAA:** Jotkin luettelossa mainitut varusteet voivat sisältyä työkalun toimitukseen vakiovarusteina. Ne voivat vaihdella maittain.

## SPECIFIKĀCIJAS

<b>Modelis:</b>		<b>DUC303</b>	<b>DUC353</b>	<b>DUC400</b>
Kopējais garums (bez virzošās slīdes)		443 mm		
Nominālais spriegums		Līdzstrāva 36 V		
Standarta akumulatora kasetne		BL1815N, BL1820, BL1820B, BL1830, BL1830B, BL1840, BL1840B, BL1850, BL1850B, BL1860B		
Neto svars (izmantojot BL1815N)	ar 90PX	4,6 kg	4,7 kg	4,8 kg
	ar 91PX	4,7 kg	4,8 kg	4,9 kg
Standarta virzošās slīdes garums		300 mm	350 mm	400 mm
Ieteicamais virzošās slīdes garums		300 - 400 mm		
Attiecīgais zāģa ķēdes veids (skatiet tālāk redzamo tabulu)		90PX 91PX		
Ķēdesrats	Zobu skaits	6		
	Solis	3/8 collas		
Ķēdes ātrums		0–20 m/s (0–1 200 m/min)		
Ķēdes eļļas tvertnes tilpums		200 cm <sup>3</sup>		

### Zāģa ķēde un virzošā slīde

<b>Zāģa ķēdes veids</b>		<b>90PX</b>		
Dzinējposmu skaits		46	52	56
Virzošā slīde	Virzošās slīdes garums	300 mm	350 mm	400 mm
	Zāģējuma garums	280 mm	330 mm	375 mm
	Solis	3/8 collas		
	Mērskala	1,1 mm		
	Veids	Griezējšķautnes lietnis ar ķēdesratu		


<b>Zāģa ķēdes veids</b>		<b>91PX</b>		
Dzinējposmu skaits		46	52	56
Virzošā slīde	Virzošās slīdes garums	300 mm	350 mm	400 mm
	Zāģējuma garums	280 mm	330 mm	375 mm
	Solis	3/8 collas		
	Mērskala	1,3 mm		
	Veids	Griezējšķautnes lietnis ar ķēdesratu		


- Nepārtrauktās izpētes un izstrādes programmas dēļ šeit uzrādītās specifikācijas var tikt mainītas bez brīdinājuma.
- Specifikācijas un akumulatora kasetne var atšķirties dažādās valstīs.
- Svārs ar akumulatora kasetni saskaņā ar EPTA-Procedure 01/2003

**BRĪDINĀJUMS:** Izmantojiet pareizo virzošās slīdes un ķēdes zāģa kombināciju. Citādi var rasties traumas.

### Simboli

Zemāk ir attēloti simboli, kas attiecas uz iekārtu. Pirms darbarīka izmantošanas pārliecinieties, vai pareizi izprotat to nozīmi.

 IZLASIET LIETOŠANAS ROKASGRĀMATU.

 IZMANTOJIET AIZSARGBRILLES.



Lietojiet ausu aizsargus.







Izmantojiet ķiveri, aizsargbrilles un ausu aizsargus.



Izmantojiet piemērotus pēdu–kāju un plaukstu–roku aizsarglīdzekļus.



Nepakļaujiet mitruma iedarbībai.

	Maksimālais pieļaujamais zāģējuma garums
	Kēdes ceļa virziens
	Zāģa ķēdes eļļas noregulēšana
	Tikai ES valstīm Neizmetiet elektroiekārtas vai akumulatoru mājssaimniecības atkritumos! Saskaņā ar Eiropas direktīvu par elektrisko un elektronisko iekārtu atkritumiem, kā arī par baterijām un akumulatoriem, un bateriju un akumulatoru atkritumiem un to īstenošanu saskaņā ar valsts likumdošanu lietotais elektriskais aprīkojums, baterijas un akumulators kalpošanas laika beigās jāsavāc atsevišķi un jānogādā atbilstoši pārstrādei vidi saudzējošā veidā.

## Paredzētā lietošana

Šis motorzāģis ir paredzēts koku, koksnes, kokmateriālu zāģēšanai.

## Trokšņa līmenis

Tipiskais A svērtais trokšņa līmenis noteikts saskaņā ar EN60745:

**Modelis DUC303**  
Skaņas spiediena līmeni ( $L_{pA}$ ): 87,7 dB (A)  
Skaņas jaudas līmeni ( $L_{WA}$ ): 100,4 dB (A)  
Mainīgums (K): 2 dB (A)

**Modelis DUC353**  
Skaņas spiediena līmeni ( $L_{pA}$ ): 87,7 dB (A)  
Skaņas jaudas līmeni ( $L_{WA}$ ): 100,4 dB (A)  
Mainīgums (K): 2 dB (A)

**BRĪDINĀJUMS:** Lietojiet ausu aizsargus.

## Vibrācija

Vibrācijas kopējā vērtība (trīsasu vektora summa) noteikta atbilstoši EN60745:

**Modelis DUC303**  
Darba režīms: koksnes zāģēšana  
Vibrācijas izmēte ( $a_{h,w}$ ):  $5,3 \text{ m/s}^2$   
Mainīgums (K):  $1,5 \text{ m/s}^2$

**Modelis DUC353**  
Darba režīms: koksnes zāģēšana  
Vibrācijas izmēte ( $a_{h,w}$ ):  $5,3 \text{ m/s}^2$   
Mainīgums (K):  $1,5 \text{ m/s}^2$

**PIEZĪME:** Paziņotā vibrācijas emisijas vērtība noteikta atbilstoši standarta pārbaudes metodei un to var izmantot, lai salīdzinātu vienu darbarīku ar citu.

**PIEZĪME:** Paziņoto vibrācijas emisijas vērtību arī var izmantot iedarbības sākotnējā novērtējumā.

**BRĪDINĀJUMS:** Reāli lietojot elektrisko darbarīku, vibrācijas emisija var atšķirties no paziņotās emisijas vērtības atkarībā no darbarīka izmantošanas veida.

**BRĪDINĀJUMS:** Lai aizsargātu lietotāju, nosakiet drošības pasākumus, kas pamatoti ar iedarbību reālos darba apstākļos (ņemot vērā visus ekspluatācijas cikla posmus, piemēram, laiku, kamēr darbarīks ir izslēgts un kad darbojas tukšgaitā, kā arī palaides laiku).

## EK atbilstības deklarācija

### Tikai Eiropas valstīm

EK atbilstības deklarācija šajā lietošanas rokasgrāmatā ir iekļauta kā A pielikums.

## DROŠĪBAS BRĪDINĀJUMI

### Vispārīgi elektrisko darbarīku drošības brīdinājumi

**BRĪDINĀJUMS:** Izlasiet visus drošības brīdinājumus, instrukcijas, apskatiet ilustrācijas un tehniskos datus, kas iekļauti mehānizētā darbarīka komplektācijā. Ja netiek ievēroti visi tālāk minētie noteikumi, var tikt izraisīta elektrotrauma, notikt aizdegšanās un/vai rasties smagas traumas.

### Glabājiet visus brīdinājumus un norādījumus, lai varētu tajos ieskatīties turpmāk.

Termins „elektrisks darbarīks” brīdinājumos attiecas uz tādu elektrisko darbarīku, ko darbina ar elektrību (ar vadu), vai tādu, ko darbina ar akumulatoru (bez vada).

### Bezvada motorzāģa drošības brīdinājumi

- Kad ķēdes zāģis darbojas, nevienu ķermeņa daļu netuviniet zāģa ķēdei. Pirms ķēdes zāģa iedarbināšanas pārliecinieties, vai zāģa ķēde nekam nepieskaras.** Neuzmanības mirklis ķēdes zāģa lietošanas laikā var izraisīt apģērba vai ķermeņa saķeršanos ar zāģa ķēdi.
- Ķēdes zāģi vienmēr turiet ar labo roku uz aizmugurējā roktura un kreiso roku uz priekšējā roktura.** Ķēdes zāģa turēšana rokās pretēji iepriekš minētajam palielina savainojuma risku, un tā nekad nedrīkst rīkoties.
- Darbarīku turiet tikai aiz roktura izolētajām virsmām, jo ķēdes zāģis var skart apslēptus kabeļus.** Ja zāģa ķēde saskarsies ar vadu, kurā ir strāva, visas darbarīka ārējās metāla virsmas vadīs strāvu un radīs elektriskās strāvas triecienu.
- Izmantojiet aizsargbrilles un zirdzes aizsargus.** Ieteicams lietot papildu aizsardzības līdzekļus galvai, rokām, kājām un pēdām. Piemērots aizsargapģērbs samazinās risku savainoties ar atlecošiem griezumiem vai nejaušās saskarses ar zāģa ķēdi.
- Nedarbiniet ķēdes zāģi, atrodoties kokā.** Ja ķēdes zāģi darbina, atrodoties kokā, var savainoties.
- Vienmēr nodrošiniet labu atbalstu kājām un ķēdes zāģi darbiniet tikai tad, kad stāvat uz stabilas, drošas un līdzenas virsmas.** Uz slidenas un nestabilas virsmas, piemēram, uz kāpnēm, var zaudēt līdzsvaru un kontroli pār ķēdes zāģi.
- Zāģējot lielus, nosprigotus zarus, jāuzmanās, lai izvairītos no atlecošiem zariem.** Kad koksnes šķiedras nosprigotums ir zudis, nosprigotais zars var atstāties pret operatoru un/vai izsist ķēdes zāģi, padarot to nekontrolējamu.

8. **Īpaši uzmanieties, zāgējot zemus krūmājus un kociņus.** Tievie zari var sakerties ar ķēdes zāģi un triekties pret jums kā pātagas vai izraut jūs no līdzsvara.
9. **Kad nesat ķēdes zāģi, turiet to pie priekšējā roktura; tam jābūt izslēgtam un tas jātur atstatu no sevis. Transportējot vai glabājot ķēdes zāģi, vienmēr uzlieciet virzošās sliedes vāku.** Pareiza rīkošanās ar ķēdes zāģi samazinās iespēju nejauši saskarties ar kustīgo zāģa ķēdi.
10. **Ievērojiet norādījumus par eļļošanu, ķēdes spriegošanu un piederumu maiņu.** Nepareizi nospriegota vai ieeļļota ķēde var saplīst vai palielināt atsitienu iespēju.
11. **Uzturiet rokturus sausus un tīrus; rūpējieties, lai uz tiem nebūtu eļļas un smērvielu.** Tūkaini un eļļaini rokturi ir slideni un var izraisīt kontroles zudumu.
12. **Zāgējiet tikai kokmateriālus. Neizmantojiet ķēdes zāģi nolūkam, kuram tas nav paredzēts.** Piemēram, neizmantojiet ķēdes zāģi plastmasas, mūra vai tādu celtniecības materiālu zāģēšanai, kas nav no koksnis. Ķēdes zāģa izmantošana neparedzētiem nolūkiem var radīt bīstamas situācijas.
13. **Atsitienu iemesli un operatora iespējas to novērst.** Atsitiens var rasties, kad virzošās sliedes gals vai uzgalis pieskaras priekšmetam vai kad koks sakļaujas un zāģa ķēdi iespiež zāģējumā. Saskare ar uzgali dažos gadījumos var izraisīt pēkšņu pretreakciju, virzošo sliedi pasītot augšup un atpakaļ operatora virzienā. Zāģa ķēdes iespēšana gar virzošās sliedes augšgalu var virzošo sliedi pēkšņi pastūmt atpakaļ operatora virzienā. Šo pret darbību dēļ var zust kontrole pār zāģi, tāpēc var gūt nopietnus ievainojumus. Nepaļaujieties tikai uz aizsargierīcēm, kas iebūvētas zāģī. Lietojot ķēdes zāģi, jāveic vairākas darbības, lai zāģējot izsargātos no negadījumiem un ievainojumiem. Atsitiens rodas darbarīka nepareizas lietošanas un/vai nepareizas darbības vai apstākļu rezultātā, un no tā var izvairīties, veicot piemērotus drošības pasākumus.
  - Satvēriemam jābūt ciešam un ar abām rokām: ar īkšķiem un pirkstiem apņēmot motorzāģa rokturus, ķermeni un roku novietojot tā, lai varētu pretoties atsitienu spēkam. Ja piesargājas pareizi, operators var kontrolēt atsitienu spēku. Neatļaidiet motorzāģi.

► **Att.1**

- Nesniedzieties pārāk tālu un nezāgējiet viirs plecu līmeņa. Tas ļauj novērst neparedzētu saskari ar uzgali un labāk kontrolēt ķēdes zāģi negaidītās situācijās.
  - Izmantojiet tikai tādas rezerves sliedes un ķēdes, ko norādījis ražotājs. Nepareiza rezerves sliežu un ķēžu izmantošana var saplēst ķēdi un/vai izraisīt atsitienu.
  - Ievērojiet ražotāja norādījumus par zāģa ķēdes asināšanu un apkopi. Dziļummēra augstuma samazināšana var izraisīt pastiprinātu atsitienu.
14. **Pirms darba sākšanas pārbaudiet, vai ķēdes zāģis ir labā darba kārtībā un vai tā stāvoklis atbilst drošības noteikumiem. It sevišķi pārbaudiet, vai:**
    - ķēdes bremze darbojas pareizi;
    - jaudas pārtraukšanas bremze darbojas pareizi;
    - stieņa un ķēdesrata pārsegi ir uzlikti pareizi;
    - ķēde ir uzasināta un nospriegota saskaņā ar noteikumiem.

15. **Neiedarbiniet motorzāģi, kamēr tam ir uzstādīts ķēdes aizsargs.** Ja motorzāģi iedarbina, kamēr tam ir uzstādīts ķēdes aizsargs, iespējama ķēdes aizsarga aizmešana, kas var ievainot cilvēkus un sabojāt priekšmetus ap operatoru.

## SAGLABĀJIET ŠOS NORĀDĪJUMUS.

**▲BRĪDINĀJUMS:** NEPIELĀUJIET to, ka labu iemaņu vai izstrādājuma labas pārzināšanas (darbarīku atkārtoti ekspluatējot) rezultātā vairs stingri neievērojat šī izstrādājuma drošības noteikumus. NEPAREIZI LIETOJOT darbarīku vai neievērojot šajā instrukciju rokasgrāmatā minētos drošības noteikumus, var tikt gūtas smagas traumas.

### Svarīgi drošības norādījumi par akumulatora kasetni

1. **Pirms akumulatora lietošanas izlasiet visus norādījumus un brīdinājumus, kuri attiecas uz (1) akumulatora lādētāju, (2) akumulatoru un (3) ierīci, kurā tiek izmantots akumulators.**
2. **Neizjauciet akumulatoru.**
3. **Ja akumulatora darbības laiks kļūva ievērojami īsāks, nekavējoties pārtrauciet to izmantot. Citādi, tas var izraisīt pārkaršējumu, uzliesmojumu vai pat sprādzienu.**
4. **Ja elektrolīts nonāk acīs, izskalojiet tās ar tīru ūdens un nekavējoties griezieties pie ārsta. Tas var izraisīt redzes zudēšanu.**
5. **Neradiet īssavienojumu akumulatora kasetnē:**
  - (1) **Nepieskarieties spaiļēm ar elektrību vadošiem materiāliem.**
  - (2) **Neuzglabājiet akumulatoru kasetni kopā ar citiem metāla priekšmetiem, tādiem kā naglas, monētas u. c.**
  - (3) **Nepakļaujiet akumulatora kasetni ūdens vai lietus iedarbībai.****Akumulatora īssavienojums var radīt spēcīgu strāvas plūsmu, pārkaršanu, uzliesmojumu un pat sabojāt akumulatoru.**
6. **Neglabājiet darbarīku un akumulatora kasetni vietās, kur temperatūra var sasniegt vai pārsniegt 50 °C (122 °F).**
7. **Nededziniet akumulatora kasetni, pat ja tā ir stipri bojāta vai pilnībā nolietota. Akumulatora kasetne ugunī var eksplodēt.**
8. **Uzmanieties, lai neļautu akumulatoram nokrist un nepakļautu to sītienu.**
9. **Neizmantojiet bojātu akumulatoru.**
10. **Uz izmantotajiem litija jonu akumulatoriem attiecas likumdošanas prasības par bīstamiem izstrādājumiem.**

Komeriālā transportēšanā, ko veic, piemēram, trešās puses, transporta uzņēmumi, jāievēro uz iesaiņojuma un marķējuma norādītās īpašās prasības.

Lai izstrādājumu sagatavotu nosūtīšanai, jāsažinās ar bīstamo materiālu speciālistu. Ievērojiet arī citus attiecināmos valsts normatīvus.

Vajļējus kontaktus nosedziet ar līmlenti vai citādi pārklājiet, bet akumulatoru iesaiņojiet tā, lai saīnītas nevarētu izkustēties.

11. Ievērojiet vietējos noteikumus par akumulatora likvidēšanu.

## SAGLABĀJIET ŠOS NORĀDĪJUMUS.

**⚠UZMANĪBU:** Lietojiet tikai oriģinālos Makita akumulatorus. Ja lietojat neoriģinālus Makita akumulatorus vai pārveidotus akumulatorus, tie var uzspriegt un izraisīt aizdegšanos, traumas un materiālos zaudējumus. Tiks anulēta arī Makita darbarīka un lādētāja garantija.

## Ieteikumi akumulatora kalpošanas laika pagarināšanai

1. Uzlādējiet akumulatora kasetni, pirms tā ir pilnībā izlādējusies. Vienmēr, kad ievērojat, ka darbarīka darba jauda zudusi, apturiet darbarīku un uzlādējiet akumulatora kasetni.
2. Nekad neuzlādējiet pilnībā uzlādētu akumulatora kasetni. Pārmērīga uzlāde saīsina akumulatora kalpošanas laiku.
3. Uzlādējiet akumulatora kasetni istabas temperatūrā 10 °C - 40 °C. Karstai akumulatora kasetnei pirms uzlādes ļaujiet atdzist.
4. Uzlādējiet litija jonu akumulatora kasetni, ja to ilgstoši nelietosī (vairāk nekā sešus mēnešus).

## DETAĻU APRAKSTS

### ► Att.2

1	Akumulatora kasetne	2	Priekšējais roku sargs	3	Virzošā sliede
4	Zāģa ķēde	5	Svira	6	Regulēšanas skala
7	Pārbaudes poga	8	Jaudas indikators	9	Galvenais elektropadeves indikators
10	Galvenais elektropadeves slēdzis	11	Atbloķēšanas svira	12	Aizmugures rokturis
13	Slēdža mēlīte	14	Priekšējais rokturis	15	Eļļas tvertnes vāciņš
16	Ķēdes uzķērējs	17	Regulēšanas skrūve (eļļas sūkņim)	18	Virzošās sliedes vāks

## FUNKCIJU APRAKSTS

**⚠UZMANĪBU:** Pirms darbarīka regulēšanas vai tā darbības pārbaudes vienmēr pārliecinieties, ka darbarīks ir izslēgts un akumulatora kasetne ir izņemta.

### Akumulatora kasetnes uzstādīšana un izņemšana

**⚠UZMANĪBU:** Vienmēr pirms akumulatora kasetnes uzstādīšanas vai noņemšanas izslēdziet darbarīku.

**⚠UZMANĪBU:** Uzstādot vai izņemot akumulatora kasetni, darbarīku un akumulatora kasetni turiet cieši. Ja darbarīku un akumulatora kasetni netur cieši, tie var izkrist no rokām un radīt bojājumus darbarīkam un akumulatora kasetnei, kā arī izraisīt ievainojumus.

- **Att.3:** 1. Sarkanās krāsas indikators 2. Poga  
3. Akumulatora kasetne

Lai izņemtu akumulatora kasetni, izvelciet to no darbarīka, pārbīdot kasetnes priekšpusē esošo pogu.

Lai uzstādītu akumulatora kasetni, salāgojiet mēlīti uz akumulatora kasetnes ar rievu ietvarā un iebīdiet to vietā. Ievietojiet to līdz galam, līdz tā ar klikšķi nofiksējas. Ja pogas augšējā daļā redzams sarkanās krāsas indikators, tas nozīmē, ka tā nav pilnīgi fiksēta.

**⚠UZMANĪBU:** Vienmēr ievietojiet akumulatora kasetni tā, lai sarkanais indikators nebūtu redzams. Pretējā gadījumā tā var nejauši izkrist no darbarīka un izraisīt jums vai apkārtējiem traumas.

**⚠UZMANĪBU:** Neievietojiet akumulatora kasetni ar spēku. Ja kasetne neslīd ietvarā viegli, tā nav pareizi ielikta.

**PIEZĪME:** Darbarīks nedarbojas ar tikai vienu akumulatora kasetni.

**PIEZĪME:** Uzliekot akumulatoru, uzmaniet savu pirktu pozīciju. Poga var nospiesties netiķām.

### Darbarīka/akumulatora aizsardzības sistēma





Darbarīks ir aprīkots ar darbarīka/akumulatora aizsardzības sistēmu. Šī sistēma automātiski izslēdz jaudas padevi motoram, lai pagarinātu darbarīka un akumulatora kalpošanas laiku. Darbarīks automātiski pārstās darboties ekspluatācijas laikā, ja darbarīku vai akumulatoru pakļaus kādam no šiem apstākļiem. Dažu apstākļu gadījumā izgaismojas indikatori.

### Aizsardzība pret pārslodzi

Ja darbarīku ekspluatē jaudas pārmērīgas tērēšanas režīmā, darbarīks automātiski pārstāj darboties un mirgo galvenais elektropadeves indikators. Šādā gadījumā izslēdziet darbarīku un pārtrauciet darbību, kas izraisīja darbarīka pārslodzi. Tad ieslēdziet darbarīku, lai atsāktu darbu.

## Aizsardzība pret pārkaršanu

Ja darbarīks ir pārkaršis, darbarīks automātiski pārstāj darboties un jaudas indikators mirgo, kā redzams attēlā. Šādā gadījumā darbarīkam vispirms jāatdziest, tikai tad darbarīku drīkst ieslēgt no jauna.

Jaudas indikatora statuss			Statuss
 Ieslēgts	 Izslēgts	 Mirgo	
			Pārkaršis.








## Aizsardzība pret akumulatora pārmērīgu izlādi

Kad akumulatora jauda ir zema, darbarīks automātiski pārstāj darboties. Ja darbarīks nedarbojas, pat ieslēdzot slēdzus, no darbarīka izņemiet akumulatoru un veiciet akumulatoram uzlādi.

### Atlikušās akumulatora jaudas indikators

► **Att.4:** 1. Pārbaudes poga 2. Jaudas indikators

Akumulatora atlikušā jauda tiek parādīta, nospiežot pārbaudes pogu. Jaudas indikatori atbilst katram akumulatoram.









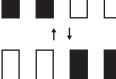
Jaudas indikatora statuss			Atlikušā akumulatora jauda
 Ieslēgts	 Izslēgts	 Mirgo	
			No 50% līdz 100%
			No 20% līdz 50%
			No 0% līdz 20%
			Akumulatora uzlāde

### Atlikušās akumulatora jaudas indikators

*Tikai akumulatora kasetnēm ar indikatoru*

► **Att.5:** 1. Indikatora lampas 2. Pārbaudes poga

Nospiežot akumulatora kasetnes pārbaudes pogu, lai pārbaudītu akumulatora atlikušo uzlādes līmeni. Indikatori iedegsies uz dažām sekundēm.

Indikatora lampas			Atlikušā jauda
 Iededzies	 Izslēgts	 Mirgo	
			No 75% līdz 100%
			No 50% līdz 75%
			No 25% līdz 50%
			No 0% līdz 25%
			Uzlādējiet akumulatoru.
			Iespējama akumulatora kļūme.

**PIEZĪME:** Reālā jauda var nedaudz atšķirties no norādītās atkarībā no lietošanas apstākļiem un apkārtējās temperatūras.

### Galvenais elektropadeves slēdzis

**BRĪDINĀJUMS:** Vienmēr, kad darbarīku neliejojat, izslēdziet galveno elektropadeves slēdzi.

Lai motorzāģi apstādinātu, spiediet galveno elektropadeves slēdzi, līdz iedegas galvenais elektropadeves indikators. Lai izslēgtu, galveno elektropadeves slēdzi nospiežiet vēlreiz.

► **Att.6:** 1. Galvenais elektropadeves slēdzis

**PIEZĪME:** Ja slēdža mēlīti parauj, kad nenotiek ierīces ekspluatācija, nomirgo galvenais elektropadeves indikators. Indikators nomirgo, ja:

- galveno elektropadeves slēdzi ieslēdz, kamēr tur nospiežtu atbloķēšanas sviru un slēdža mēlīti;
- slēdža mēlīti parauj, kamēr funkciju pilda ķēdes bremze;
- ķēdes bremzi atlaiž, turot nospiežtu atbloķēšanas sviru un paraujot slēdža mēlīti.

**PIEZĪME:** Šim motorzāģim ir automātiska izslēgšanās funkcija. Lai izvairītos no netišas iedarbināšanas, galvenais elektropadeves slēdzis izslēgsies automātiski, ja pēc galvenā elektropadeves slēdža ieslēgšanas noteiktu laika posmu nav parauta slēdža mēlīte.

### Slēdža darbība

**BRĪDINĀJUMS:** Drošības apsvērumu dēļ šis darbarīks ir aprīkots ar atbloķēšanas sviru, kas nepieļauj darbarīka nejaušu iedarbināšanu. **NEKAD** neekspluatējiet darbarīku, ja tas darbojas, kad vienkārši pavelkat slēdža mēlīti, nenospiežot atbloķēšanas sviru. **PIRMS** turpmākas ekspluatācijas darbarīku nododiet atbilstošam remontam mūsu pilnvarotā apkopes centrā.

**BRĪDINĀJUMS:** **NEKAD** nenovērtējiet par zemu un neignorējiet atbloķēšanas sviras mērķi un funkcijas.



**⚠UZMANĪBU:** Pirms akumulatora kasetnes uzstādīšanas darbarīkā vienmēr pārbaudiet, vai slēdža mēlīte darbojas pareizi un pēc atlaišanas atgriežas stāvoklī „OFF” (Izslēgts).

**IEVĒRĪBAI:** Nevelciet slēdža mēlīti ar spēku, nenospiežot atbloķēšanas sviru. Citādi var sabojāt slēdzi.

Lai nepieļautu slēdža mēlītes nejaušu nospiešanu, darbarīks ir aprīkots ar atbloķēšanas sviru. Lai darbarīku ieslēgtu, nospiediet bloķēšanas sviru un slēdža mēlīti. Lai apturētu darbarīku, atlaidiet slēdža mēlīti.

► **Att.7:** 1. Slēdža mēlīte 2. Atbloķēšanas svira

## Kēdes bremzes pārbaude

**⚠UZMANĪBU:** Iedarbinot motorzāģi, turiet to ar abām rokām. Aizmugures rokturi turiet ar labo roku, bet priekšējo – ar kreiso. Virzošā sliede un ķēde nedrīkst saskarties ne ar vienu priekšmetu.

**⚠UZMANĪBU:** Ja zāģa ķēde nekavējoties neapstājas, veicot šo pārbaudi, zāģi nekādā gadījumā nedrīkst ekspluatēt. Sazinieties ar mūsu pilnvaroto apkopes centru.

1. Nospiediet atbloķēšanas sviru, pēc tam paraujiet slēdža mēlīti. Motorzāģis sāk nekavējoties darboties.
  2. Ar delnas virspusi pabīdīet priekšējo rokas aizsargu uz priekš. Pārliecinieties, ka motorzāģis nekavējoties apstājas.
- **Att.8:** 1. Priekšējais roku sargs 2. Nebloķēta pozīcija 3. Bloķēta pozīcija

## Jaudas pārtraukšanas bremzes pārbaude

**⚠UZMANĪBU:** Ja šajā pārbaudē motorzāģis neapstājas vienā sekundē, tad motorzāģi vairs neizmantojiet un konsultējieties mūsu pilnvarotajā apkopes centrā.

Palaidiet motorzāģi, tad pilnībā atlaidiet slēdža mēlīti. Zāģa ķēdei sekundes laikā ir jāapstājas.

## Ķēdes eļļošanas padeves noregulēšana

Eļļas sūkņa padeves ātrumu var noregulēt ar regulēšanas skrūvi. Eļļas daudzumu var noregulēt, izmantojot universālo uzgriežņatslēgu.

► **Att.9:** 1. Regulēšanas skrūve

## MONTĀŽA

**⚠UZMANĪBU:** Pirms darbarīka regulēšanas vai apkopes vienmēr pārliecinieties, ka darbarīks ir izslēgts un akumulatora kasetne ir izņemta.

**⚠UZMANĪBU:** Zāģa ķēdei nedrīkst pieskarties ar kailām rokām. Rīkojoties ar zāģa ķēdi, vienmēr valkājiet cimdus.

## Zāģa ķēdes noņemšana vai uzstādīšana

**⚠UZMANĪBU:** Zāģa ķēde un virzošā sliede uzreiz pēc ekspluatācijas vēl ir karsta. Tām vispirms jāatdziest, tikai tad drīkst darbarīku apkopt.

Lai noņemtu zāģa ķēdi, veiciet šeit norādītās darbības.

1. Sviru paraujiet augšup, spiežot tās malu.

► **Att.10:** 1. Svira

2. Lai atspriegotu zāģa ķēdi, regulēšanas skalu pagrieziet virzienā “-”.

► **Att.11:** 1. Regulēšanas skala

3. Sviru grieziet pretēji pulksteņrādītāju kustības virzienam, līdz ķēdesrata aizsargu var noņemt.

► **Att.12:** 1. Svira 2. Ķēdesrata aizsargs

4. Noņemiet ķēdesrata aizsargu, tad no motorzāģa korpusa noņemiet zāģa ķēdi un virzošo sliedi.

Lai zāģa ķēdi uzliktu, veiciet šeit norādītās darbības.

1. Nosakiet ķēdes virzienu. Bultiņa uz ķēdes norāda ķēdes virzienu.

2. Vienu zāģa ķēdes galu uzlieciet uz virzošās slides gala, otru – apkārt ķēdesratam.

► **Att.13:** 1. Ķēdesrats

3. Virzošajai slidei jābūt uz motorzāģa tai paredzētajā vietā.

4. Lai regulēšanas tapu virzītu bultiņas virzienā, regulēšanas skalu pagrieziet “-” virzienā.

► **Att.14:** 1. Regulēšanas tapa

5. Ķēdesrata pārsegu uz ķēdes zāģa novietojiet tā, lai regulēšanas tapa būtu pozicionēta mazajā atverē uz virzošās slides.

► **Att.15:** 1. Ķēdesrata aizsargs 2. Virzošā sliede 3. Atvere

6. Sviru pagrieziet pulksteņrādītāju kustības virzienā līdz galam un ceturtdaļpagrieziet atpakaļ, lai saglabātu ķēdes brīvu nospirojumu regulēšanai.

7. Lai noregulētu ķēdes nospirojumu, pagrieziet regulēšanas skalu.

8. Sviru grieziet pulksteņrādītāju kustības virzienā, līdz ķēdesrata aizsargs ir nostiprināts, tad pagrieziet to sākotnējā pozīcijā.

► **Att.16:** 1. Svira 2. Ķēdesrata aizsargs

## Zāģa ķēdes nospirojuma regulēšana

**⚠UZMANĪBU:** Zāģa ķēde jāuzstāda vai jānoņem tīrā vietā, kur nav zāģu skaidu un līdzīgu materiālu.

**⚠UZMANĪBU:** Zāģa ķēdi nedrīkst nospijot pārmērīgi. Ja zāģa ķēde būs nospijota pārāk cieši, tā var pārrauties, virzošā sliede var nodilt vai regulēšanas skala var salūzt.

**⚠UZMANĪBU:** Pārāk valjīga ķēde var nokrist no slides un izraisīt negadījumu.

Pēc daudzām ekspluatācijas stundām zāga ķēde var kļūt vaļīga. Ik pa laikam pirms ekspluatācijas pārbaudiet zāga ķēdes nosprigojumu.

1. Nospiediet un pilnībā atveriet sviru, līdz tā noklikšķ. Mazliet pagrieziet to pretēji pulksteņrādītāju kustības virzienam, lai nedaudz atskrūvētu ķēdesrata aizsargu.

► **Att.17:** 1. Svira 2. Ķēdesrata aizsargs

2. Mazliet paceliet virzošās sliedes galu un noregulējiet ķēdes nosprigojumu. Regulēšanas skalu pagrieziet virzienā “-”, lai atlaistu, un virzienā “+”, lai pievilktu. Pievelciet zāga ķēdi, līdz zāga ķēdes apakšējā daļa ievietojas virzošās sliedes ievā; skatiet attēlu.

► **Att.18:** 1. Regulēšanas skala 2. Virzošā sliede  
3. Zāga ķēde

3. Turpiniet virzošo sliedi turēt nedaudz paceltu un pievelciet ķēdesrata aizsargu. Pārliecinieties, ka zāga ķēdes apakšējā daļa nav vaļīga.

4. Sviru pagrieziet iepriekšējā stāvoklī.

► **Att.19:** 1. Svira 2. Ķēdesrata aizsargs

Pārliecinieties, ka zāga ķēde cieši piegulst sliedes apakšējai daļai.

## EKSPLUATĀCIJA

### Elļošana

Instrumenta darbības laikā zāga ķēde tiek elļota automātiski. Regulāri pārbaudiet elļas tvertnē atlikušās elļas daudzumu.

Lai tvertni uzpildītu, motorzāģi atlieciet uz sāna un noņemiet elļas tvertnes vāciņu. Pareizais elļas daudzums ir 200 ml. Pēc tvertnes uzpildes pārbaudiet, vai elļas tvertnes vāciņš aizgriezts cieši.

► **Att.20:** 1. Elļas tvertnes vāciņš 2. Elļas tvertne (caurspīdīga)

Ķēdes zāģi pēc tvertnes uzpildes turiet atstatu no koka. Iedarbiniet un pagaidiet, līdz zāga ķēde pietiekami saelļojusies.

► **Att.21**

**IEVĒRĪBAI:** Ja ķēdes elļu iepildāt pirmo reizi vai tvertni uzpildāt pēc tās pilnīgas iztukšošanas, elļu iepildiet līdz ielietnes apakšējai malai. Nepiepildīšanas gadījumā elļas padeve var būt traucēta.

**IEVĒRĪBAI:** Izmantojiet tikai Makita ķēdes zāģiem īpaši paredzēto zāga ķēdes elļu vai līdzvērtīgu veikalā nopērkamu elļu.

**IEVĒRĪBAI:** Nekad neizmantojiet elļu, kas satur putekļus un sīkas daļiņas, vai elļu, kas ātri izvaiko.

**IEVĒRĪBAI:** Apzāģējot kokus, lietojiet augu elļu. Minerālelļa var kaitēt kokiem.

**IEVĒRĪBAI:** Pirms zāģēšanas darbībām pārliecinieties, ka elļas tvertnes vāciņš ir ieskrūvēts vietā.

## DARBS AR MOTORZĀĢI

**▲UZMANĪBU:** Lietotājam zāģējot pirmo reizi, lai iepraktizētos, balķis jāzāģē uz kokzāģēšanas steķa vai atbalsta.

**▲UZMANĪBU:** Zāģējot dēļus, izmantojiet drošu paliktņi (kokzāģēšanas steķi vai atbalstu). Apstrādājamo materiālu neturiet ar kāju, neļaujiet to turēt vai atbalstīt citiem cilvēkiem.

**▲UZMANĪBU:** Apaļu apstrādājamo materiālu nostipriniet tā, lai tas negrieztos.

**▲UZMANĪBU:** Kad darbojas dzinējs, ķēdes zāģim netuviniet nevienu ķermeņa daļu.

**▲UZMANĪBU:** Kad darbojas dzinējs, ķēdes zāģi cieši turiet abās rokās.

**▲UZMANĪBU:** Nestiepieties. Vienmēr stingri stāviet uz piemērota atbalsta un saglabājiet līdzsvaru.

**IEVĒRĪBAI:** Darbarīku nekur nesviediet un nemetiet zemē.

**IEVĒRĪBAI:** Neapsedziet darbarīka atveres.

Pirms ieslēgšanas motorzāģa korpusa apakšējo malu novietojiet pie zāģējamā balķa. Citādi virzošā sliede var svārstīties un ievainot operatoru. Pārzāģējamo koku zāģējiet, kustību lejup veicot tikai ar motorzāģa svaru.

► **Att.22**

Dažkārt balķi nevar pārzāģēt vienā paņēmienā, tad jārikojas, kā tālāk norādīts.

Viegli uzspiediet uz roktura un turpiniet zāģēt, tad nedaudz pavelciet motorzāģi atpakaļ; pēc tam zobatturi novietojiet nedaudz zemāk un, paceļot rokturi, pārzāģējiet.

► **Att.23**

### Sagarumošana

1. Motorzāģa korpusa apakšējo malu atbalstiet pret zāģējamo kokmateriālu.

► **Att.24**

2. Kad zāga ķēde darbojas, sāciet zāģēt koku, zāģi ar aizmugures rokturi paceļot un ar priekšējo virzot. Par atbalsta punktu izmantojiet zobatturi.

3. Turpiniet zāģēt, nedaudz uzspiežot uz priekšējā roktura, zāģi nedaudz atlaižot atpakaļ. Bīdīet zobatturi uz priekšu dziļāk kokā un atkal paceliet priekšējo rokturi.

**IEVĒRĪBAI:** Zāģējot vairākus gabalus, starplaikos apturiet motorzāģi.

**▲UZMANĪBU:** Ja zāģēšanai izmanto sliedes augšgalu, motorzāģis var noliekties uz jūsu pusi, ja ķēde iesprūst. Tāpēc zāģēšanai izmantojiet apakšējo sliedes malu, lai zāģis liektos prom no jums.

► **Att.25**

Zāģējot nosprigotu kokmateriālu, vispirms zāģējiet spiediena pusi (A). Pēc tam zāģējiet no sprigotās puses (B). Tādējādi sliede neiesprūds.

► **Att.26**

## Atzarošana

**UZMANĪBU:** Atzarot drīkst tikai šo prasmi apguvuši cilvēki. Iespējams atsiens.

Atzarot motorzāģi atbalstiet uz koka balķa, ja iespējams. Nezāģējiet ar sliedes galu, jo tādējādi iespējams atsiens.

Īpaši uzmanieties ar nospriegotiem zariem.

Neatbalstītus zarus nezāģējiet no apakšas.

Atzarojot nestāviet uz nogāzta balķa.

## Ieurbumi un garenzāģēšana

**UZMANĪBU:** Ieurbumu veikšana un garenzāģēšana atļauta tikai cilvēkiem, kas šādas prasmes ir apguvuši. Tā kā iespējams atsiens, ir risks savainoties.

Garenzāģēšanu veiciet tik nelielā leņķī, cik vien iespējams. Zāģējot ārkārtīgi uzmanieties, jo nav iespējams izmantot zobatturi.

► Att.27

## Koku nozāģēšana

**UZMANĪBU:** Kokus nozāģēt drīkst tikai šo prasmi apguvuši cilvēki. Darbs ir bīstams.

Ievērojiet vietējos noteikumus, ja vēlaties nozāģēt koku.

► Att.28: 1. Gāšanas zona

- Pirms koka nozāģēšanas pārliecinieties, ka:
  - tuvumā ir tikai cilvēki, kas piedalās nozāģēšanas procesā;
  - visiem šiem cilvēkiem nodrošināts patveršanās ceļš apmēram 45° leņķī uz abām pusēm no koka krišanas līnijas. Apsveriet arī papildu risku, ka koks var aizķerties aiz elektrības vadiem;
  - balķa pamatnē nav svešķermeņu, sakņu un zaru;
  - virzienā, kurā koks var gāzties, 2/3 koka garumu attālumā neatrodas neviens cilvēks vai priekšmets.
- Ikviena koka zāģēšanas gadījumā apsveriet šādus apstākļus:
  - noliekuma virziens;
  - vaļņi vai sausi zari;
  - koka augstums;
  - dabiskā pārkare;
  - vai koks ir ietrunējis.
- Nēmet vērā vēja ātrumu un virzienu. Ja ir spēcīgas vēja brāzmas, nezāģējiet kokus.
- Izvirzītu sakņu apzāģēšana: sāciet ar lielākajām saknēm. Sākumā iezāģējiet vertikāli, pēc tam – horizontāli.
- Stāviet malā no krītošā koka. Neuzturieties aiz krītošā koka 45° leņķī uz abām pusēm no koka gāšanas virziena (sk. "gāšanas zonas" zīmējumu). Uzmanieties no krītošiem zariem.
- Pirms zāģēšanas vajadzētu izplānot un atīrīt atkāpšanās ceļu. Atkāpšanās ceļam vajadzētu pļesties atpakaļ un pa diagonāli uz paredzamās gāšanas līnijas aizmuguri, kā parādīts attēlā.

- Att.29: 1. Gāšanās virziens 2. Bīstamā zona  
3. Atkāpšanās ceļš

Gāžot kokus, ievērojiet šīs procedūras.

1. Iezāģējumu veidojiet iespējami tuvāk zemei. Sākumā horizontāli iezāģējiet dziļumā, kas ir 1/5–1/3 no balķa diametra. Iezāģējumu veidojiet pārāk plašu. Pēc tam veidojiet iezāģējumu pa diagonāli.

► Att.30

**PIEZĪME:** Iezāģējums noteiks, kurā virzienā koks kritīs, un to virzīs. Iezāģējumu veic pusē, uz kuru koku paredzēts nogāzt.

2. Aizmugurē zāģējiet mazliet augstāk par pamata iezāģējumu. Aizmugurē jāzāģē precīzi horizontālā līmenī. Starp aizmugures zāģējumu un priekšas iezāģējumu atstājiet apmēram 1/10 no balķa diametra. Koka šķiedras neiezāģētajā daļā kalpo par atbalstu. Iezāģējuma vietā laikus ielieciet ķīļus.

► Att.31

**BRĪDINĀJUMS:** Nekādos apstākļos nezāģējiet taisni cauri kokšķiedrai. Zāģējot taisni, koks gāzīsies nekontrolēti.

**IEVĒRĪBAI:** Aizmugures zāģējuma atverē drīkst likt tikai plastmasas vai alumīnija ķīļus. Nedrīkst izmantot tērauda ķīļus.

## Darbarīka pārvietošana

Pirms darbarīka nešanas vienmēr nostipriniet ķēdes bremzi un izņemiet akumulatoru kasetnes. Tad uzlieciat virzošās sliedes vāku. Akumulatora kasetnei uzlieciat akumulatora vāku.

► Att.32: 1. Virzošās sliedes vāks 2. Akumulatora vāks

## APKOPE

**UZMANĪBU:** Pirms darbarīka pārbaudes vai apkopes vienmēr pārliecinieties, ka darbarīks ir izslēgts un akumulatora kasetne ir izņemta.

**UZMANĪBU:** Veicot pārbaudi vai tehnisko apkopi, vienmēr valkājiet cimdus.

**IEVĒRĪBAI:** Nekad neizmantojiet gazoļinu, benzīnu, atšķaidītāju, spirtu vai līdzīgus šķidrumus. Tas var radīt izbalēšanu, deformāciju vai plaisas.

## Zāģa ķēdes asināšana

Zāģa ķēde jāasina, ja:

- zāģējot mitru koku, rodas irdenas zāģskaidas;
- ķēde ar grūtībām zāģē koku, pat ja to piespiež stingri;
- griezējama ir acīm redzami bojāta;
- zāģis kokā raujas pa kreisi vai pa labi. (Nevienmērīgi uzasinātas zāģa ķēdes dēļ vai bojājums ir tikai vienā pusē.)

Zāga ķēdi asiniet bieži, taču katru reizi tikai nedaudz. Ikdienas uzasināšanai parasti pietiek ar diviem vai trim vīles pārvilcieniem. Kad zāga ķēde asināta vairākas reizes, nogādājiet to mūsu pilnvarotajā apkopes centrā, lai to tur uzasinātu.

### Asināšanas kritēriji

**▲BRĪDINĀJUMS:** Pārmērīgs attālums starp griezējmalu un dziļummēru palielina atsietna iespējamību.

- **Att.33:** 1. Zoba garums 2. Attālums starp griezējmalu un dziļummēru 3. Minimālais zoba garums (3 mm)
- Visiem zobiem jābūt vienādā garumā. Atšķirīga zoba garuma dēļ zāga ķēde nedarbojas vienmērīgi, tādēļ zāga ķēde var salūzt.
  - Neasiniet ķēdi, ja zobs ir 3 mm garš vai īsāks. Ķēde jānomaina pret jaunu.
  - Skaidu biežumu nosaka attālums starp dziļummēru (apaļgalu) un griezējmalu.
  - Vislabāk ķēde zāgē tad, ja starp griezējmalu un dziļummēru ir tālāk norādītais attālums.
    - Ķēdes asmens 90PX: 0,65 mm (0,025collas)
    - Ķēdes asmens 91PX: 0,65 mm (0,025collas)

### Vīle un vīles bīdītājs

- Lai uzasinātu zāga ķēdi, izmantojiet īpašu apaļo vīli (papildpiederums). Parastās apaļās vīles nav piemērotas.
  - Diametrs atbilstošajām apaļajām vīlēm ir tālāk norādīts.
    - Ķēdes asmens 90PX: 4,5 mm (3/16collas)
    - Ķēdes asmens 91PX: 4,0 mm (5/32collas)
  - Ķēde ar vīli jāvilē tikai virzienā uz priekšu. Atpakaļgājienā vīli no ķēdes noņemiet.
  - Īsākos zobus asiniet vispirms. Šo zoba garums nosaka visu pārējo zāga ķēdes zoba nepieciešamo garumu.
  - Vīli virziet tā, kā attēlots zīmējumā.
- **Att.35:** 1. Vīle 2. Zāga ķēde
- Ja izmanto vīles turētāju (papildaprīkojums), virzīt vīli ir daudz vieglāk. Uz vīles turētāja ir atzīmes pareizam asināšanas leņķim 30° (atzīmes centrējiet paralēli zāga ķēdei), un tas ierobežo iespējamās dziļumu (līdz 4/5 no vīles diametra).
- **Att.36:** 1. Vīles turētājs
- Pēc ķēdes uzasināšanas pārbaudiet dziļummēra augstumu, izmantojot ķēdes mērinstrumentu (papildaprīkojums).
- **Att.37**
- Ar īpašu plakano vīli (papildaprīkojums) nogludiniet visus nelīdzenumus, pat mazus.
  - Vēlreiz noapaļojiet dziļummēra priekšējo daļu.

## Notīriet virzošo sliedi

Virzošās sliedes rievā uzkrāsies skaidas un putekļi. Tie var aizsprostot sliedes rievu un traucēt eļļas plūsmu. Skaidas un putekļus iztīriet katru reizi, kad asināt vai nomaināt zāga ķēdi.

► **Att.38**

## Ķēdesrata aizsarga tīrīšana

Skaidas un putekļi uzkrāsies ķēdesrata aizsarga iekšpusē. No darbarīka noņemiet ķēdesrata aizsargu un zāga ķēdi, tad iztīriet skaidas un putekļus.

► **Att.39**

## Eļļas izvades atveres tīrīšana

Darbības laikā eļļas izvades atverē var uzkrāties putekļi vai mazas daļiņas. Šie putekļi vai daļiņas var samazināt eļļas plūsmu un izraisīt nepietiekamu visas ķēdes eļļošanu. Ja konstatēta vāja eļļas padeve virzošās sliedes galā, iztīriet eļļas izvades atveri.

1. No darbarīka noņemiet ķēdesrata aizsargu un zāga ķēdi.
  2. Iztīriet sīkos putekļus vai daļiņas, izmantojot plakangala skrūvgriezi ar tievu kātu vai līdzīgu rīku.
- **Att.40:** 1. Plakangala skrūvgriezis 2. Eļļas izvades atvere

3. Darbarīkā ielieciet akumulatora kasetni. Pavelciet slēdža mēlīti, lai no eļļas izvades atveres izvadītu uzkrājušos putekļus vai daļiņas, iztecinot ķēdes eļļu.
4. No darbarīka izņemiet akumulatora kasetni. Darbarīkam uzlieciet ķēdesrata aizsargu un zāga ķēdi.

## Ķēdesrata nomaīņa

**▲UZMANĪBU:** Nodilis ķēdesrats sabojās jaunu zāga ķēdi. Šajā gadījumā nomainiet ķēdesratu.

Pirms jaunas zāga ķēdes uzlikšanas pārbaudiet ķēdesrata stāvokli.

► **Att.41:** 1. Ķēdesrats 2. Izdiluma zonas

Vienmēr, nomainot ķēdesratu, uzstādiat jaunu bloķēšanas gredzenu.

► **Att.42:** 1. Bloķēšanas gredzens 2. Ķēdesrats

**IEVĒRĪBAI:** Pārlicinieties, ka ķēdesrats uzstādīts tā, kā parādīts attēlā.

## Darbarīka glabāšana

1. Pirms darbarīka novietošanas glabāšanai iztīriet to. Pēc ķēdesrata aizsarga noņemšanas no darbarīka iztīriet skaidas un putekļus.
2. Pēc darbarīka iztīrīšanas darbiniet to bez noslodzes, lai ieeļļotu zāga ķēdi un virzošo sliedi.
3. Virzošajai sliedei uzlieciet virzošās sliedes vāku.
4. Iztukšojiet eļļas tvertni.

## Norādījumi par regulāru tehnisko apkopi

Lai zāģis kalpotu ilgi, nepieļautu tā bojājumus un garantētu drošības aprīkojuma pilnīgu funkcionēšanu, regulāri jāveic tehniskā apkope. Garantijas remonta pieprasījumu pieņem tikai tad, ja apkopi veic regulāri un pareizi. Ja regulāri neveic aprakstīto tehnisko apkopi, iespējami negadījumi! Motorzāģa lietotājs nedrīkst veikt tādas tehniskās apkopes darbus, kas nav aprakstīti šajā lietošanas rokasgrāmatā. Šāda veida darbi jāveic mūsu pilnvarotajā apkopes centrā.

Pārbaudāmais viensoms/veikšanas laiks	Pirms izmantošanas	Katru dienu	Reizi nedēļā	Reizi 3 mēnešos	Reizi gadā	Pirms glabāšanas
Motorzāģis	Apskate.	✓	-	-	-	-
	Tīrīšana.	-	✓	-	-	-
	Pārbaude pilnvarotā apkopes centrā.	-	-	-	✓	✓
Zāģa ķēde	Apskate.	✓	-	-	-	-
	Asināšana, ja vajag.	-	-	-	-	✓
Virzošā sliede	Apskate.	✓	✓	-	-	-
	Noņemt no motorzāģa.	-	-	-	-	✓
Ķēdes bremze	Pārbaudīt funkcionēšanu.	✓	-	-	-	-
	Nogādāt uz periodisko pārbaudi pilnvarotā apkopes centrā.	-	-	-	✓	-
Ķēdes eļļošana	Pārbaudīt eļļas padeves ātrumu.	✓	-	-	-	-
Slēdža mēlīte	Apskate.	✓	-	-	-	-
Atbloķēšanas svira	Apskate.	✓	-	-	-	-
Eļļas tvertnes vāciņš	Pārbaudīt ciešumu.	✓	-	-	-	-
Ķēdes uzķērējs	Apskate.	-	-	✓	-	-
Skrūves un uzgriežņi	Apskate.	-	-	✓	-	-

Lai saglabātu izstrādājuma DROŠU un UZTICAMU darbību, remontdarbus, apkopi un regulēšanu uzticiet veikt tikai Makita pilnvarotam vai rūpnīcas apkopes centram, un vienmēr izmantojiet tikai Makita rezerves daļas.

# PROBLĒMU NOVĒRŠANA

Pirms nodošanas remontā vispirms veiciet pārbaudi pats. Ja konstatējat kļūmi, kas nav aprakstīta rokasgrāmatā, nemēģiniet darbarīku izjaukt. Dodieties uz Makita pilnvarotu apkopes centru un remontam vienmēr izmantojiet tikai Makita rezerves daļas.

Nefunkcionēšanas stāvoklis	Iemesls	Rīcība
Motorzāģis neiedarbinās.	Nav ieliktas divas akumulatoru kasetnes.	Ielieciet divas uzlādētas akumulatoru kasetnes.
	Akumulatora problēma (niecīga jauda).	Uzlādējiet akumulatoru kasetnes. Ja uzlāde neizdodas, nomainiet akumulatora kasetni.
	Galvenais elektropadeves slēdzis ir izslēgts.	Motorzāģis ir automātiski izslēdzies, ja noteiktu laikposmu ar to neesat strādājis. No jauna ieslēdziet galveno elektropadeves slēdzi.
Zāģa ķēde nekustas.	Ir aktivizēta ķēdes bremze.	Atļaidiet ķēdes bremzi.
Pēc īsa darbošanās brīža dzinējs noslāpst.	Akumulatora uzlādes līmenis ir par zemu.	Uzlādējiet akumulatoru kasetnes. Ja uzlāde neizdodas, nomainiet akumulatora kasetni.
Uz ķēdes nav eļļas.	Eļļas tvertne ir tukša.	Uzpildiet eļļas tvertni.
	Eļļas sliedes rīva ir netīra.	Iztīriet rīvu.
	Slikta eļļas pave.	Ar regulēšanas skrūvi pieregulējiet eļļas pavedes daudzumu.
Motorzāģis nerasniedz maksimālo apgriezīu skaitu minūtē.	Akumulatora kasetne ievietota nepareizi.	Akumulatoru kasetnes uzlieciet tā, kā aprakstīts šajā rokasgrāmatā.
	Samazinās akumulatora jauda.	Uzlādējiet akumulatoru kasetnes. Ja uzlāde neizdodas, nomainiet akumulatora kasetni.
	Piedziņas sistēma nedarbojas pareizi.	Lūdziet, lai pilnvarotā apkopes centrā jūsu reģionā to saremontē.
Mirgo galvenais elektropadeves indikators.	Slēdža mēlīte ir parauta, kad nenotiek ekspluatācija.	Slēdža mēlīti paraujiet pēc galvenā elektropadeves slēdža ieslēgšanas un ķēdes bremzes atlaišanas.
Ķēde neapstājas pat pēc ķēdes bremzes aktivizēšanas: <b>nekavējoties apturiet darbarīku!</b>	Bremzes sikсна ir izdilusi.	Lūdziet, lai pilnvarotā apkopes centrā jūsu reģionā to saremontē.
Pārmērīga vibrācija: <b>nekavējoties apturiet darbarīku!</b>	Palaidiet vaiļgāk virzošo sliedi vai zāģa ķēdi.	Pieregulējiet virzošās sliedes un zāģa ķēdes nospiegojumu.
	Darbarīks nestrādā.	Lūdziet, lai pilnvarotā apkopes centrā jūsu reģionā to saremontē.

## PAPILDU PIEDERUMI

**⚠UZMANĪBU:** Šādi piederumi un papildierces tiek ieteiktas lietošanai ar šajā rokasgrāmatā aprakstīto Makita darbarīku. Izmantojot citus piederumus vai papildierces, var tikt radīta trauma gūšanas bīstamība. Piederumu vai papildierci izmantojiet tikai paredzētajam mērķim.

Ja jums vajadzīga palīdzība vai precīzāka informācija par šiem piederumiem, vērsieties savā tuvākajā Makita apkopes centrā.

- Zāģa ķēde
- Virzošā sliede
- Virzošās sliedes vāks
- Vīle
- Instrumentu somiņa
- Makita oriģinālais akumulators un lādētājs

**⚠BRĪDINĀJUMS:** Ja iegādājaties virzošo sliedi, kuras garums atšķiras no standarta virzošās sliedes garuma, nopērciet arī piemērotu virzošās sliedes vāku. Tam jāpiegulst un pilnībā jānosedz motorzāģa virzošā sliede.

**PIEZĪME:** Daži sarakstā norādītie izstrādājumi var būt iekļauti instrumenta komplektācijā kā standarta piederumi. Tie dažādās valstīs var būt atšķirīgi.

## SPECIFIKACIJOS

Modelis:		DUC303	DUC353	DUC400
Bendrasis ilgis (be pjovimo juostos)		443 mm		
Vardinė įtampa		Nuol. sr. 36 V		
Standartinė akumulatoriaus kasetė		BL1815N, BL1820, BL1820B, BL1830, BL1830B, BL1840, BL1840B, BL1850, BL1850B, BL1860B		
Grynasis svoris (naudojant BL1815N)	su 90PX	4,6 kg	4,7 kg	4,8 kg
	su 91PX	4,7 kg	4,8 kg	4,9 kg
Standartinis kreipiamosios juostos ilgis		300 mm	350 mm	400 mm
Rekomenduojamas pjovimo juostos ilgis		300 - 400 mm		
Tinkamas grandininio pjūklo tipas (žr. toliau pateiktą lentelę)		90PX 91PX		
Žvaigždutė	Dantų skaičius	6		
	Pasvirimas	3/8 col.		
Grandinės greitis		0–20 m/s (0–1 200 m/min)		
Grandinės alyvos bakelio tūris		200 cm <sup>3</sup>		

### Pjūklo grandinė ir pjovimo juosta

Grandininio pjūklo tipas		90PX		
Pavaros jungčių skaičius		46	52	56
Pjovimo juosta	Pjovimo juostos ilgis	300 mm	350 mm	400 mm
	Pjovimo ilgis	280 mm	330 mm	375 mm
	Pasvirimas	3/8 col.		
	Ribotuvus	1,1 mm		
	Tipas	Žvaigždutės antgalio juosta		

Grandininio pjūklo tipas		91PX		
Pavaros jungčių skaičius		46	52	56
Pjovimo juosta	Pjovimo juostos ilgis	300 mm	350 mm	400 mm
	Pjovimo ilgis	280 mm	330 mm	375 mm
	Pasvirimas	3/8 col.		
	Ribotuvus	1,3 mm		
	Tipas	Žvaigždutės antgalio juosta		

- Atliekame tęstinius tyrimus ir nuolat tobuliname savo gaminius, todėl čia pateikiamos specifikacijos gali būti keičiamos be įspėjimo.
- Įvairiose šalyse specifikacijos ir akumulatoriaus kasetė gali skirtis.
- Svoris su akumulatoriaus kasete pagal 2003-01 EPTA procedūrą

**ĮSPĖJIMAS:** Naudokite tinkamą pjovimo juostą ir grandininį pjūklą. Antraip galite susižaloti.

### Simboliai

Toliau yra nurodyti įrangai naudojami simboliai. Prieš naudodami įsitikinkite, ar suprantate jų reikšmę.



Perskaitykite instrukcijų vadovą.



Užsidėkite apsauginius akinius.



Naudokite ausų apsaugos priemones.



Naudokite šalmą, apsauginius akinius ir klausos apsaugines priemones.



Naudokite tinkamą kojų ir rankų apsaugą.



Saugokite nuo drėgmės.



Didžiausias leistinasis plovimo ilgis



Grandinės eigos kryptis



Grandininio pjūklo alyvos kiekio reguliavimas



Taikoma tik ES šalims  
Neišmeskite elektros įrangos arba akumulatoriaus bloko į buitinius šiukšlynus!  
Atsižvelgiant į ES direktyvas dėl elektros ir elektroninės įrangos atliekų, dėl baterijų ir akumuliatorių bei baterijų ir akumuliatorių atliekų ir šių direktyvų siekių įgyvendinimą pagal nacionalinius įstatymus, elektros įrangos ir baterijų bei akumuliatorių atliekas būtina surinkti atskirai nuo kitų buitinių atliekų ir atiduoti į antrinių žaliavų perdirbimo aplinkai nekenksmingu būdu punktą.

## Numatytoji naudojimo paskirtis

Šis grandininis pjūklas skirtas medžiui pjauti.

## Triukšmas

Įprastas triukšmo A lygis, nustatytas pagal EN60745:

### Modelis DUC303

Garso slėgio lygis ( $L_{pA}$ ): 87,7 dB (A)  
Garso galios lygis ( $L_{WA}$ ): 100,4 dB (A)  
Paklaida (K): 2 dB (A)

### Modelis DUC353

Garso slėgio lygis ( $L_{pA}$ ): 87,7 dB (A)  
Garso galios lygis ( $L_{WA}$ ): 100,4 dB (A)  
Paklaida (K): 2 dB (A)

**ĮSPĖJIMAS:** Dėvėkite ausų apsaugą.

## Vibracija

Vibracijos bendroji vertė (triacio vektorius suma) nustatyta pagal EN60745 standartą:

### Modelis DUC303

Darbo režimas: medžio pjovimas  
Vibracijos emisija ( $a_{h,w}$ ): 5,3  $m/s^2$   
Paklaida (K): 1,5  $m/s^2$

### Modelis DUC353

Darbo režimas: medžio pjovimas  
Vibracijos emisija ( $a_{h,w}$ ): 5,3  $m/s^2$   
Paklaida (K): 1,5  $m/s^2$

**PASTABA:** Paskelbtasis vibracijos emisijos dydis nustatytas pagal standartinį testavimo metodą ir jį galima naudoti vienam įrankiui palyginti su kitu.

**PASTABA:** Paskelbtasis vibracijos emisijos dydis taip pat gali būti naudojamas preliminariai įvertinti vibracijos poveikį.

**ĮSPĖJIMAS:** Faktiškai naudojant elektrinį įrankį, keliamos vibracijos dydis gali skirtis nuo paskelbtojo dydžio, priklausomai nuo būdų, kuriais yra naudojamas šis įrankis.

**ĮSPĖJIMAS:** Siekdami apsaugoti operatorių, būtina įvertinkite saugos priemones, remdamiesi vibracijos poveikio įvertinimu esant faktinėms naudojimo sąlygoms (atsižvelgdami į visas darbo ciklo dalis, pavyzdžiui, ne tik kiek laiko įrankis veikia, bet ir kiek kartų jis yra išjungiamas bei kai jis veikia be apkravų).

## EB atitikties deklaracija

### Tik Europos šalims

EB atitikties deklaracija yra pridėdama kaip šio instrukcijų vadovo A priedas.

## SAUGOS ĮSPĖJIMAI

### Bendrieji įspėjimai dirbant elektriniais įrankiais

**ĮSPĖJIMAS:** Perskaitykite visus saugos įspėjimus, instrukcijas, iliustracijas ir techninius duomenis, pateiktus kartu su šiuo elektriniu įrankiu. Nesilaikant visų toliau išvardytų instrukcijų galima patirti elektros smūgi, gali kilti gaisras ir (arba) galima sunkiai susižaloti.

### Išsaugokite visus įspėjimus ir instrukcijas, kad galėtumėte jas peržiūrėti ateityje.

Terminas „elektrinis įrankis“ pateiktuose įspėjimuose reiškia į maitinimo tinklą jungiamą (laidinį) elektrinį įrankį arba akumuliatoriaus maitinamą (belaidį) elektrinį įrankį.

### Įspėjimai dėl belaidžio grandininio pjūklo saugos

- Kai veikia grandininis pjūklas, visos kūno dalys turi būti kuo toliau nuo pjūklo grandinės. Prieš pradėdami dirbti su grandininio pjūklu, įsitikinkite, kad pjūklo grandinė nieko neliečia. Dėl nedėmesingumo momento darbo su grandininiais pjūklais metu grandininis pjūklas gali įtraukti drabužius ar sužeisti.**
- Grandininio pjūklo galinę rankeną visada laikykite dešine ranka, o priekinę rankeną – kaire. Susižeidimo rizika didėja grandininį pjūklą laikant priešingai nei buvo minėta, to geriau niekada nedaryti.**
- Laikykite šį elektrinį įrankį tik už izoliuotų, laikymui skirtų vietų, nes grandininis pjūklas gali užkliudyti nematomus laidus. Grandininiam pjūklui užkliudžius „gyvą“ laidą, įtampa gali būti perduota neizoliuotoms metalinėms elektrinio įrankio dalims, ir operatorius gali gauti elektros smūgį.**
- Naudokite apsauginius akinius ir klausos apsaugines priemones.** Taip pat rekomenduojamos galvos, rankų, kojų ir pėdų apsauginės priemonės. Atitinkami apsauginiai drabužiai sumažins susižeidimo dėl skriejančių atliekų ar atsitiktinio sąlyčio su grandininio pjūklo tikimybę.
- Nenaudokite grandininio pjūklo lūpę į medį.** Grandininio pjūklo naudojimas operatoriui esant medyje kelia susižeidimo riziką.
- Visada virtai remkitės kojomis ir grandininį pjūklą naudokite tik stovėdami ant tvirto, saugaus ir lygaus paviršiaus.** Stovėdami ant slidaus ir nestabiliaus paviršiaus, pavyzdžiui, kopėčių, galite prarasti pusiausvyrą ir nesuvaldyti grandininio pjūklo.



7. **Pjudami jėgos veikiamą šaką, saugokitės, kad ji neatšoktų.** Kai medžio plaušai atpalaiduojami, jėgos veikiamą šaką gali kliudyti operatorių ir (arba) sutrikdyti grandininio pjūklo veikimą.
8. **Būkite ypač atsargūs pjudami krūmus ir sodinukus.** Grandininis pjūklas gali kliudyti plonas medžio daleles ir suplakti jas į jūsų pusę, arba dėl to galite prarasti pusiausvyrą.
9. **Išjungtą ir nuo savęs nusuktą grandininį pjūklą neškite laikydami už priekinės rankenos. Transportuodami ar sandėliuodami grandininį pjūklą, visada uždėkite pjovimo juostos dangtį.** Tinkama grandininio pjūklo priežiūra sumažins atsitiktinio sąlyčio su judančia pjūklo grandine tikimybę.
10. **Vadovaukitės tepimo, grandinės įtampimo ir papildomų įtaisų keitimo instrukcija.** Netinkamai įtempta ar sutepta grandinė gali trūkti ar padidinti atatranksio tikimybę.
11. **Rankenos turi būti švarios, sausos ir neištepotos tepalu.** Riebaluotos ir tepaluotos rankenos yra slidžios, todėl galite nesuvaldyti įrankio.
12. **Skirta tik medienai pjauti. Nenaudokite grandininio pjūklo ne pagal paskirtį.** Pavyzdžiui, nenaudokite grandininio pjūklo plastikui, mūrai ar statybinėms medžiagoms, išskyrus medieną, pjauti. Jei grandininis pjūklas naudojamas atlikti darbams, kuriems jis nėra skirtas, gali susidaryti pavojinga situacija.
13. **Atatranksio priežastys ir profilaktiniai operatorių veiksmai**  
Atatranka gal įvykti tada, kai pjovimo juostos antgalis ar galiukas liečia daiktą, arba kai grandininis pjūklas priartėja prie medžio ir įstringa įpavoje. Kai kuriais atvejais galiuko prisilietimas prie objekto gali būti staigios priešingos reakcijos priežastis, kai pjovimo juosta trukteli į viršų link operatoriaus. Spaudžiant grandininį pjūklą viršutinėje pjovimo juostos dalyje, pjovimo juosta gali greitai pasisukti link operatoriaus. Dėl bet kurios iš šių priežasčių galite nesuvaldyti pjūklo ir rimtai susižeisti. Nepasitikėkite vien tik pjūkle sumontuotais apsauginiais įtaisais. Grandininio pjūklo naudotojai turėtų atlikti keletą veiksmy, siekdami išvengti nelaimingų atsitikimų ir susižeidimų, vykdydami pjovimo darbus.  
Atatranka yra piktnaudžiavimo įrankiu ir (arba) netinkamų darbo procedūrų ar sąlygų rezultatas, jos galima išvengti, laikantis toliau nurodytų atsargumo priemonių.

**⚠️ ĮSPĖJIMAS: NELEISKITE,** kad patogumas ir gaminio pažinimas (įgyjamas pakartotinai naudojant) susilpnintų griežtą saugos taisyklių, taikytinų šiam gaminiui, laikymąsi. Dėl NETINKAMO NAUDOJIMO arba saugos taisyklių, kurios pateiktos šioje instrukcijoje, nesilaikymo galima rimtai susižeisti.

## SAUGOKITE ŠIAS INSTRUKCIJAS.

### Svarbios saugos instrukcijos, taikomos akumulatoriaus kasetei

1. **Prieš naudodami akumulatoriaus kasetę, perskaitykite visas instrukcijas ir perspėjimus ant (1) akumulatorių įkroviklio, (2) akumulatorių ir (3) akumulatorių naudojancio gaminio.**
  2. **Neardykite akumulatoriaus kasetės.**
  3. **Jei įrankio darbo laikas žymiai sutrumpėjo, nedelsdami nutraukite darbą su įrankiu.** Tai gali kelti perkaitimą, nudegimų ar net sprogio pavojų.
  4. **Jei elektrolitas pateko į akis, plaukite jas tyru vandeniu ir nedelsdami kreipkitės į gydytoją.** Gali kilti regėjimo praradimo pavojus.
  5. **Neužtrumpinkite akumulatoriaus kasetės:**
    - (1) **Nelieskite kontaktų degiomis medžiagomis.**
    - (2) **Venkite laikyti akumulatoriaus kasetę kartu su kitais metaliniais daiktais, pavyzdžiui, vinimis, monetomis ir pan.**
    - (3) **Saugokite akumulatoriaus kasetę nuo vandens ir lietaus.**
  6. **Trumpasis jungimas akumulatoriuje gali sukelti stiprią srovę, perkaitimą, galimus nudegimus ar net akumulatoriaus gedimą.**
  7. **Nelaikykite įrankio ir akumulatoriaus kasetės vietoje, kur temperatūra gali pasiekti ar viršyti 50 °C.**
  8. **Nedeginkite akumulatoriaus kasetės, net jei yra stipriai pažeista ar visiškai susidėvėjusi.** Ugnyje akumulatoriaus kasetė gali sprogti.
  9. **Saugokite akumulatorių nuo kritimo ir smūgių.**
  10. **Nenaudokite pažeisto akumulatoriaus.**
  11. **Įdėtos ličio jonų akumulatoriams taikomi Pavojingų prekių teisės akto reikalavimai.** Komeracinis transportas, pvz., trečiųjų šalių, prekių vežimo atstovų, turi laikytis specialaus reikalavimo ant pakuotės ir ženklavimo.  
Norėdami paruošti siųstiną prekę, pasitarkite su pavojingų medžiagų specialistu. Be to, laikykitės galimai išsamesnių nacionalinių reglamentų.
- **Pav.1**
- Nepersitempkite ir nepjunkite didesniame nei pečių aukštyje. Tai padeda išvengti nenumatyto galiuko prisilietimo ir suteikia galimybę nenumatytose situacijose geriau valdyti grandininį pjūklą.
  - Naudokite tik gamintojo nurodytas keičiamąsias juostas ir grandines. Dėl netinkamos keičiamosios juostos ir grandinės grandinė gali nutrūkti, ir (arba) gali įvykti atatranka.
  - Laikykitės gamintojo nurodytų grandininio pjūklo galandimo ir priežiūros instrukcijų. Dėl sumažinto gylio ribotuvo aukščio gali padidėti atatranka.

Užklijuokite juosta arba padenkite atvirus kontaktus ir supakuokite akumuliatorių taip, kad ji pakuo-  
tėje nejudėtų.

11. Vadovaukitės vietos įstatymais dėl akumuliatorių išmetimo.

## SAUGOKITE ŠIAS INSTRUKCIJAS.

**▲PERSPĖJIMAS:** Naudokite tik originalų „Makita“ akumuliatorių. Neoriginalaus „Makita“ arba pakeisto akumuliatoriaus naudojimas gali nulemti gaisrą, asmens sužalojimą ir pažeidimą. Tai taip pat panaikina „Makita“ suteikiamą „Makita“ įrankio ir įkroviklio garantiją.

## Patarimai, ką daryti, kad akumuliatorius veiktų kuo ilgiau

1. Pakraukite akumuliatoriaus kasetę prieš jai visiškai išsikraunant. Visuomet nustokite naudoti įrankį ir pakraukite akumuliatoriaus kasetę, kai pastebite, kad įrankio galia sumažėjo.
2. Niekada nekraukite iki galo įkrautos akumuliatoriaus kasetės. Perkraunant trumpėja akumuliatoriaus eksploatacijos laikas.
3. Akumuliatoriaus kasetę kraukite esant kambario temperatūrai 10 - 40 °C. Prieš pradėdami krauti, leiskite įkaitusiai akumuliatoriaus kasetei atvėsti.
4. Įkraukite akumuliatoriaus kasetę, jei jos nenaudojate ilgą laiką (ilgiau nei šešis mėnesius).

## DALIŲ APRAŠYMAS

### ► Pav.2

1	Akumuliatoriaus kasetė	2	Priekinis rankų apsauginis gaubtas	3	Pjovimo juosta
4	Pjūklų grandinė	5	Svirtelė	6	Reguliavimo ratukas
7	Tikrinimo mygtukas	8	Talpos indikatorius lemputė	9	Pagrindinio maitinimo lemputė
10	Pagrindinis maitinimo jungiklis	11	Atlaisvinimo svirtelė	12	Galinė rankena
13	Gaidukas	14	Priekinė rankena	15	Alyvos bakelio dangtelis
16	Grandinės gaudyklė	17	Reguliavimo sraigtas (alyvos siurbliui)	18	Pjovimo juostos gaubtas

## VEIKIMO APRAŠYMAS

**▲PERSPĖJIMAS:** Prieš pradėdami reguliuoti arba tikrinti įrankio veikimą, visuomet būtinai išjunkite įrankį ir išimkite akumuliatoriaus kasetę.

## Akumuliatoriaus kasetės uždėjimas ir nuėmimas

**▲PERSPĖJIMAS:** Prieš įdėdami arba išimdami akumuliatoriaus kasetę, visada išjunkite įrankį.

**▲PERSPĖJIMAS:** Įdėdami arba išimdami akumuliatoriaus kasetę, tvirtai laikykite įrankį ir akumuliatoriaus kasetę laikysite netvirtai, jie gali išslįsti iš jūsų rankų, todėl įrankis ir akumuliatoriaus kasetė gali būti sugadinti, o naudotojas sužalotas.

- **Pav.3:** 1. Raudonas indikatorius 2. Mygtukas 3. Akumuliatoriaus kasetė

Jei norite išimti akumuliatoriaus kasetę, ištraukite ją iš įrankio, stumdami mygtuką, esantį kasetės priekyje.

Jei norite įdėti akumuliatoriaus kasetę, sulygiuokite liežuvelį ant akumuliatoriaus kasetės su grioveliu korpuse ir įstumkite jį į skirtą vietą. Įdėkite iki galo, kol spragtelėdama užsifiksuos. Jeigu matote raudoną indikatorius viršutinėje mygtuko pusėje, ji nėra visiškai užfiksuota.

**▲PERSPĖJIMAS:** Akumuliatoriaus kasetę visada įkiškite iki galo, kol nebamatsite raudono indikatorius. Priešingu atveju ji gali atsitiktinai iškristi iš įrankio, sužeisti jus arba aplinkinius.

**▲PERSPĖJIMAS:** Nekiškite akumuliatoriaus kasetės jėga. Jeigu kasetė sunkiai lenda, ją kišate netinkamai.

**PASTABA:** Įrankis neveikia tik su viena akumuliatoriaus kasete.

**PASTABA:** Įdėdami akumuliatorių, atkreipkite dėmesį, kur yra jūsų pirštai. Netyčia galite nuspausti mygtuką.

## Įrankio / akumuliatoriaus apsaugos sistema

Įrankyje įrengta įrankio / akumuliatoriaus apsaugos sistema. Ši sistema automatiškai atjungia variklio maitinimą, kad įrankis ir akumuliatorius ilgiau veiktų. Įrankis automatiškai išsijungs darbo metu esant vienai iš toliau nurodytų įrankio arba akumuliatoriaus darbo sąlygų. Esant tam tikroms sąlygoms užsidega indikatoriai.

## Apsauga nuo perkrovos

Kai įrankis naudojamas taip, kad neįprastai padidėja elektros srovė, įrankis automatiškai išsijungia, ir pradeda žybcioti pagrindinė maitinimo lemputė. Tokiu atveju atleiskite įrankio gaiduką ir nutraukite darbą, dėl kurio kilo įrankio perkrova. Po to vėl įjunkite įrankį.

## Apsauga nuo perkaitimo

Įrankiui perkaitus, jis automatiškai sustabdomas, o talpos indikacinė lemputė žybcioja, kaip parodyta. Tokiu atveju palaukite, kol įrankis atvės, paskui vėl jį įjunkite.

Talpos indikatoriaus būseną			Būseną
Šviečia	Nešviečia	Blyksi	

## Apsauga nuo visiško išsikrovimo

Žymiai sumažėjus akumuliatoriaus galiai, įrankis automatiškai išsijungia. Jeigu gaminyje neveikia net ir spaudžiant jungiklius, išimkite akumuliatorių iš įrankio ir įkraukite.

## Likusios akumuliatoriaus galios rodymas

► **Pav.4:** 1. Tikrinimo mygtukas 2. Talpos indikatoriaus lemputė

Likusi akumuliatoriaus galia yra rodoma spaudžiant tikrinimo mygtuką. Talpos indikatoriai parodo atitinkamo akumuliatoriaus galią.

Talpos indikatoriaus būseną			Likusi akumuliatorių galia
Šviečia	Nešviečia	Blyksi	
			Įkraukite akumuliatorių

## Likusios akumuliatoriaus galios rodymas

**Tik akumuliatoriaus kasetėms su indikatoriumi**

► **Pav.5:** 1. Indikatorių lemputės 2. Tikrinimo mygtukas

Paspauskite akumuliatoriaus kasetės tikrinimo mygtuką, kad būtų rodoma likusi akumuliatoriaus energija. Maždaug trims sekundėms užsidegs indikatorių lemputės.

Indikatorių lemputės			Likusi galia
Šviečia	Nešviečia	Blyksi	
			75 - 100 %
			50 - 75 %
			25 - 50 %
			0 - 25 %
			Įkraukite akumuliatorių.
			Galimai įvyko akumuliatoriaus veikimo triktis.

**PASTABA:** Rodmuo gali šiek tiek skirtis nuo faktinės energijos lygio – tai priklauso nuo naudojimo sąlygų ir aplinkos temperatūros.

## Pagrindinis maitinimo jungiklis

**ĮSPĖJIMAS:** Kai nenaudojate, visada išjunkite pagrindinį maitinimo jungiklį.

Norėdami stovėti prie grandininio pjūklo, spauskite pagrindinį maitinimo jungiklį, kol užsidegs pagrindinė maitinimo lemputė. Norėdami išjungti, dar kartą paspauskite pagrindinį maitinimo jungiklį.

► **Pav.6:** 1. Pagrindinis maitinimo jungiklis

**PASTABA:** Gaiduką paspaudus neveikimo sąlygomis, mirksi pagrindinė maitinimo lemputė. Lemputė mirksi, jei:

- paspaudžiate pagrindinį maitinimo jungiklį, tuo pačiu metu laikydami nuspaužę atlaisvinimo svirtelę ir gaiduką;
- paspaudžiate gaiduką, kol nuspaužtas grandinės stabdys;
- atleidžiate grandinės stabdį, tuo metu laikydami nuspaužę atlaisvinimo svirtelę ir spausdami gaiduką.

**PASTABA:** Šis grandininis pjūklas turi automatinio išsijungimo funkciją. Kad būtų išvengta netyčinio paleidimo, kai tam tikrą laiką nespaužiamas gaidukas (kai buvo nuspaužtas pagrindinis maitinimo jungiklis), pagrindinis maitinimo jungiklis išsijungs automatiškai.

## Jungiklio veikimas

**ĮSPĖJIMAS:** Jūsų pačių saugumui šiame įrankyje įrengta atlaisvinimo svirtelė, kuri neleidžia netyčia įjungti įrankio. NIEKADA nenaudokite veikiančio įrankio, jeigu nuspaužėte tik gaiduką, nenuspaudę atlaisvinimo svirtelės. PRIEŠ pradėdami vėl naudoti įrankį, atiduokite jį tinkamai suremontuoti ir įgaliojamam techninės priežiūros centrui.

**ĮSPĖJIMAS:** NIEKADA neužklijuokite lipnia juostele ir nepanaikinkite atlaisvinimo svirtelės paskirties bei funkcijos.

**⚠ PERSPĖJIMAS:** Prieš montuodami akumulatoriaus kasetę įrankyje, visuomet patikrinkite, ar gaidukas tinkamai veikia ir atleistas grįžta į išjungimo padėtį „OFF“.

**PASTABA:** Negalima stipriai spausti gaiduko, nenuspaudus atlaisvinimo svirtelės. Taip galima sugadinti jungiklį.

Yra įrengta atlaisvinimo svirtis, kad gaidukas nebūtų atsitiktinai nuspaustas. Jei norite įjungti įrankį, paspauskite atlaisvinimo svirtį ir patraukite gaiduką. Norėdami įrankį išjungti, gaiduką atleiskite.

► **Pav.7:** 1. Gaidukas 2. Atlaisvinimo svirtelė

## Grandinės stabdžio patikrinimas

**⚠ PERSPĖJIMAS:** Įjungdami, laikykite grandininį pjūklą abiem rankomis. Galinę rankeną laikykite dešine ranka, o priekinę – kaire ranka. Pjovimo juosta ir grandinė neturi liestis prie jokių daiktų.

**⚠ PERSPĖJIMAS:** Jeigu atliekant testą grandininis pjūklas tuoj pat neišsijungtų, šio pjūklo jokiais būdais negalima naudoti. Kreipkitės į mūsų įgaliotąjį techninės priežiūros centrą.

1. Paspauskite atlaisvinimo svirtelę, tada paspauskite gaiduką. Grandininis pjūklas tuoj pat įsijungia.
2. Atbula ranka paspauskite priekinį rankų apsauginį gaubtą. Įsitikinkite, kad grandininis pjūklas iš karto sustoja.

► **Pav.8:** 1. Priekinis rankų apsauginis gaubtas  
2. Atfiksuota padėtis 3. Užfiksuota padėtis

## Nusidėvėjusio stabdžio patikrinimas

**⚠ PERSPĖJIMAS:** Jei atliekant šį bandymą grandininis pjūklas nesustoja per vieną sekundę, juo nebesinaudokite ir kreipkitės į mūsų įgaliotąjį techninės priežiūros centrą.

Paleiskite grandininį pjūklą, tada visiškai atleiskite gaiduką. Grandininis pjūklas turi sustoti per vieną sekundę.

## Grandinės tepimo reguliavimas

Alyvos siurblio tiekimo normą galima reguliuoti reguliavimo varžtu. Alyvos kiekį galima reguliuoti, sukant varžtą universaliu veržliarakčiu.

► **Pav.9:** 1. Reguliavimo varžtas

## SURINKIMAS

**⚠ PERSPĖJIMAS:** Prieš darydami ką nors įrankiui visada patikrinkite, ar įrenginys išjungtas, o akumuliatorių kasetė – nuimta.

**⚠ PERSPĖJIMAS:** Nelieskite grandininio pjūklo plikomis rankomis. Įdėdami grandininį pjūklą, visuomet mėvėkite pirštines.

## Pjūklo grandinės montavimas arba nuėmimas

**⚠ PERSPĖJIMAS:** Po naudojimo pjūklo grandinė ir pjovimo juosta vis dar būna įkaitusios. Prieš atlikdami bet kokius įrankio remonto ar tikrinimo darbus, palaukite, kol jie atvės.

Norėdami nuimti pjūklo grandinę, atlikite šiuos veiksmus:

1. Spausdami svirties kraštą, patraukite ją į viršų.  
► **Pav.10:** 1. Svirtelė

2. Sukite reguliavimo ratuką krypties „–“ link, kad sumažintumėte pjūklo grandinės įtempimą.

► **Pav.11:** 1. Reguliavimo ratukas

3. Sukite svirtelę prieš laikrodžio rodyklę, kol nusiims žvaigždutės gaubtas.

► **Pav.12:** 1. Svirtelė 2. Žvaigždutės gaubtas

4. Nuimkite žvaigždutės gaubtą, tada pjūklo grandinę ir kreipiamąją juostą nuo grandininio pjūklo korpuso.

Norėdami sumontuoti pjūklo grandinę, atlikite šiuos veiksmus:

1. Nustatykite grandinės sukimosi kryptį. Grandinės sukimosi kryptis yra pažymėta ant grandinės atitinkama žyme.

2. Vieną pjūklo grandinės galą dėkite ant pjovimo juostos viršaus, o kitą jos galą apskukite aplink žvaigždutę.

► **Pav.13:** 1. Žvaigždutė

3. Įkiškite kreipiamąją juostą atgal į grandininį pjūklą.

4. Sukite reguliavimo ratuką link „+“, kad reguliavimo kaištis slųstų rodyklės kryptimi.

► **Pav.14:** 1. Reguliavimo kaištis

5. Uždėkite žvaigždutės gaubtą ant grandininio pjūklo taip, kad reguliavimo kaištis būtų mažojoje kreipiamosios juostos kiauryanėje.

► **Pav.15:** 1. Žvaigždutės gaubtas 2. Pjovimo juosta  
3. Anga

6. Norėdami išlaikyti laisvumą grandinės įtempimui reguliuoti, sukite svirtį iki pat galo, tada atsukite ketvirtą pasukimo atgal.

7. Sukite reguliavimo ratuką, kad sureguliuotumėte grandinės įtempimą.

8. Sukite svirtį prieš laikrodžio rodyklę, kol žvaigždutės gaubtas bus fiksuojamas, tada ją gražinkite į pradinę padėtį.

► **Pav.16:** 1. Svirtelė 2. Žvaigždutės gaubtas

## Pjūklo grandinės įtempimo reguliavimas

**⚠ PERSPĖJIMAS:** Pjūklo grandinės montavimo arba nuėmimo procedūrą reikia atlikti švarioje vietoje, kur nėra pjuvenų ir panašiai.

**⚠ PERSPĖJIMAS:** Neperveržkite pjūklo grandinės. Dėl per didelio pjūklo grandinės įtempimo ji gali nutrūkti, gali nusidėvėti pjovimo juosta, arba sulūžti reguliavimo ratukas.

**⚠ PERSPĖJIMAS:** Per daug atlaisvinta grandinė gali nukristi nuo juostos, todėl kelia sužalojimo pavojų.

Pjūklo grandinė atsilaisvina tik po daugelio darbo valandų. Prieš naudojimą retkarčiais patikrinkite pjūklo grandinės įtempimą.

1. Nuspauskite ir iki galo atverkite svirtelę, kol ji bus įtempta. Šiek tiek pasukite ją prieš laikrodžio rodyklę, kad žvaigždutės gaubtas truputį atsilaisvintų.

► **Pav.17:** 1. Svirtelė 2. Žvaigždutės gaubtas

2. Šiek tiek pakelkite kreipiamąją juostą ir sureguliuokite grandinės įtempimą. Sukite reguliavimo ratuką „-“ kryptimi, kad atlaisvintumėte, o norėdami priveržti, sukite „+“ kryptimi. Veržkite pjūklo grandinę tol, kol apatinė pjūklo grandinės pusė įsitaisys pjovimo juostos griovelioje, kaip parodyta.

► **Pav.18:** 1. Reguliavimo ratukas 2. Pjovimo juosta 3. Pjūklo grandinė

3. Prilaikydami pjovimo juostą, priveržkite žvaigždutės gaubtą. Įsitikinkite, kad pjūklo grandinė nėra atsilaisvinusi apatinėje dalyje.

4. Sugražinkite svirtį į jos pradinę padėtį.

► **Pav.19:** 1. Svirtelė 2. Žvaigždutės gaubtas

Įsitikinkite, kad pjūklo grandinė tvirtai priglundusi prie juostos apatinės pusės.

## NAUDOJIMAS

### Tepimas

Tuo metu, kai įrankis yra įjungtas, pjūklo grandinė yra sutepama automatiškai. Periodiškai patikrinkite, kiek bakelyje liko alyvos.

Norėdami pripildyti bakelį, paguldykite grandininį pjūklą ant šono ir nuimkite alyvos bakelio dangtelį. Tinkamas alyvos kiekis yra 200 ml. Pripildę bakelį, įsitikinkite, kad jo dangtelis gerai prisuktas.

► **Pav.20:** 1. Alyvos bakelio dangtelis 2. Alyvos bakelis (permatomas)

Papildę grandininį pjūklą laikykite toliau nuo medžio. Įjunkite jį ir laukite, kol pjūklo grandinė bus pakankamai sutepta.

► **Pav.21**

**PASTABA:** Pirmą kartą pripylus grandinės alyvos arba pakartotinai pripildant ištuštintą alyvos bakelį, pripilkite alyvos iki pildymo angos apatinio krašto. Kitaip bus blogiau tiekama alyva.

**PASTABA:** Naudokite tik „Makita“ grandininiam pjūklams skirtą arba tapačią alyvą, kurią galite įsigyti savo šalyje.

**PASTABA:** Niekada nenaudokite alyvos, kurioje yra dulkių ir dalelių, arba lakios alyvos.

**PASTABA:** Genėdami medžius, naudokite botaninį aliejų. Mineralinė alyva gali pažeisti medžius.

**PASTABA:** Prieš išpjaudami, įsitikinkite, kad alyvos bakelio dangtelis yra prisuktas.

## GRANDINIO PJŪKLO NAUDOJIMAS

**▲PERSPĖJIMAS:** Pirmą kartą naudodamas pjūklą, naudotojas būtinai privalo jį išbandyti, pjaudamas rąstus ant ožio arba atramos malkoms pjauti.

**▲PERSPĖJIMAS:** Pjaudami pjautinę medieną, naudokite saugią atramą (ožį malkoms pjauti arba atramą). Neprispauskite ruošinio pėda ir neleiskite, kad jį laikytų arba paremtų kitas žmogus.

**▲PERSPĖJIMAS:** Įtvirtinkite apvalius ruošinius, kad jie nesisuktų.

**▲PERSPĖJIMAS:** Varikliui veikiant, grandininį pjūklą laikykite atokiau nuo kūno dalių.

**▲PERSPĖJIMAS:** Varikliui veikiant, grandininį pjūklą laikykite tvirtai abiem rankomis.

**▲PERSPĖJIMAS:** Nepersitempkite. Visuomet tvirtai stovėkite ant žemės, išlaikykite pusiausvyrą.

**PASTABA:** Niekada nenusveskite ar nenumeskite įrankio.

**PASTABA:** Neuždenkite įrankio ventiliacijos angų.

Prieš įjungdami grandininį pjūklą, jo korpusu palieskite norimą pjauti šaką. Antraip pjovimo juosta gali pradėti svirduliuoti ir sužeisti operatorių. Pjautinę medį pjaukite tiesiog ją judindami žemyn, naudodami grandininio pjūklo svorį.

► **Pav.22**

Jei nepavyksta supjauti medienos vienu judesiu: truputį paspauskite rankeną ir toliau pjaukite, šiek tiek atitraukdami grandininį pjūklą atgal; po to nuleiskite dantuotą atramą truputį žemiau ir pabaikite pjovimą, pakeldami rankeną.

► **Pav.23**

### Medžių pjovimas rąstams

1. Atremkite grandininio pjūklo korpuso apatinį kraštą į pjautiną medį.

► **Pav.24**

2. Įjungę grandininį pjūklą, pjaukite medį, galinę rankeną naudodami pjūklui atkelti, o priekinę – jam valdyti. Naudokite dantuotą atramą kaip atsparos tašką.

3. Tęskite pjovimo darbus, truputį paspausdami priekinę rankeną, lengvai atitraukdami pjūklą atgal. Stumkite žemyn rąstu dantuotą atramą ir vėl pakelkite priekinę rankeną.

**PASTABA:** Atlikę keletą pjūvių, išjunkite grandininį pjūklą tarp pjūvių.

**▲PERSPĖJIMAS:** Jeigu pjaunate viršutiniu pjovimo juostos kraštu, grandinei įstrigus, grandininį pjūklą gali atmesti į jus. Dėl šios priežasties pjaukite apatiniu kraštu, kad įstrigimo atveju pjūklas būtų nukreiptas šalin nuo jūsų kūno.

► **Pav.25**

Kai pjaunate įtemptą medį, pradžioje pjaukite įtemptą pusę (A). Tada atlikite paskutinį pjūvį, naudodami įtemptą pusę (B). Tai neleidžia pjovimo juostai įstrigti.

► **Pav.26**

## Šakų genėjimas

**▲PERSPĖJIMAS:** Šakas genėti gali tik apmokyti asmenys. Pavojų kelia atatrunkos rizika.

Genėdami šakas, jeigu įmanoma, atremkite grandininį pjūklą į kamieną. Nepjunkite pjovimo juostos galu, nes kyla atatrunkos pavojus.

Saugokitės įtemptų šakų. Nepjunkite iš apačios neparemtų šakų.

Genėdami šakas nestovėkite ant nukirsto kamieno.

## Įpjovimai ir lygiagretūs pluoštai pjūviai

**▲PERSPĖJIMAS:** Įpjovimus ir lygiagrečius pluoštus pjūvius gali atlikti tik specialiai apmokyti asmenys. Atatrunkos galimybė kelia pavojų susižeisti.

Lygiagrečius pluoštus pjūvius atlikite kaip įmanoma bukesniu kampu. Pjaudami būkite itin atsargūs, kadangi dantuotos atramos naudoti negalima.

► Pav.27

## Kirtimas

**▲PERSPĖJIMAS:** Medžius kirsti gali tik apmokyti asmenys. Šis darbas yra pavojingas.

Norėdami nukirsti medį, vadovaukitės vietiniais reglamentais.

► Pav.28: 1. Kirtimo vieta

- Prieš pradėdami kirtimo darbus, patikrinkite, ar:
  - netoliese yra tik su kirtimo darbais susiję asmenys;
  - visi asmenys turi laisvą atsitraukimo kelią maždaug 45° kampu iš abiejų kirtimo ašies pusių; atsižvelkite į papildomą pavojų užkliūti už elektros laidų;
  - prie medžio kamieno pagrindo nėra jokių pašalinių daiktų, šaknų ir nelygumų;
  - nėra žmonių ar daiktų arčiau nei per 2,5 medžio ilgio medžio kritimo kryptimi.

— Kirsdami bet kurį medį, atsižvelkite į tokius dalykus:

- pasvirimo kryptį;
  - nulūžusias arba sausas šakas;
  - medžio aukštį;
  - natūralią nuosvyrą;
  - ar medis sutrūnijęs, ar ne.
- Atkreipkite dėmesį į vėjo greitį ir kryptį. Nevykdykite kirtimo darbų, jei pučia stiprūs vėjo gūsiai.
- Iškilusių šaknų genėjimas Pradžioje nupjaukite storiausius auglius. Pirmą padarykite vertikalių, po to – horizontalų pjūvį.
- Pasitraukite į šoną nuo krentančio medžio. Užpakalinė krentančio medžio dalis turi būti laisva 45° kampu iš abiejų medžio ašies pusių (žr. į „medžių kirtimo zonos“ piešinį). Saugokitės krentančių šakų.
- Prieš pradėdami pjauti, suplanuokite ir, jei reikia, išvalykite pabėgimo kelią. Pabėgimo kelias turi eiti atgal ir įstrižai už tikėtinos kritimo linijos, kaip parodyta paveikslėlyje.
- Pav.29: 1. Kirtimo kryptis 2. Pavojaus zona 3. Evakuacijos maršrutas

Kirsdami medžius laikykitės toliau nurodytų procedūrų.

1. Įstrižai pjūvį atlikite kuo arčiau žemės. Pirmiausia atlikite horizontalų pjūvį, įpjaudami 1/5–1/3 medžio kamieno skersmens. Nepadarykite per ilgo įstrižo pjūvio. Tada atlikite įstrižinį pjūvį.

► Pav.30

**PASTABA:** Įstrižas pjūvis apsprendžia kryptį, kuria kris medis, ir nukreipia jį. Jis atliekamas iš tos pusės, link kurios turės kristi medis.

2. Atlikite galinį pjūvį truputį aukščiau už įstrižo pjūvio pagrindą. Galinis pjūvis turi būti tiksliai horizontalus. Tarp galinio ir įstrižo pjūvio palikite ir neįpjaukite maždaug 1/10 kamieno skersmens. Medžio pluoštai neįpjauto kamieno dalyje tarnauja vietoj lanksto. Laikiniai į galinį pjūvį įkiškite pleištus.

► Pav.31

**▲ĮSPĖJIMAS:** Jokiomis aplinkybės neįpjaukite tiesiai per pluoštą. Antraip medis nukris nepatikrinus.

**PASTABA:** Į galinį pjūvį galima kišti tik plastikinius arba aliumininis pleištus. Geležinius pleištus kišti draudžiama.

## Įrankio nešimas

Prieš nešdami įrankį, visada įjunkite grandinės stabdį ir iš įrankio išimkite akumulatoriaus kasetes. Tada uždėkite pjovimo juostos gaubtą. Akumulatoriaus kasetę taip pat įdėkite į akumulatoriaus dėklą.

► Pav.32: 1. Pjovimo juostos gaubtas 2. Akumulatoriaus dėklas

## TECHNINĖ PRIEŽIŪRA

**▲PERSPĖJIMAS:** Visuomet įsitinkinkite, ar įrankis yra išjungtas ir akumulatoriaus kasetė yra nuimta prieš atlikdami apžiūrą ir priežiūrą.

**▲PERSPĖJIMAS:** Atlikdami bet kokį patikrinimą arba techninės priežiūros darbus, visada mūvėkite pirštines.

**PASTABA:** Niekada nenaudokite gazolino, benzino, tirpiklio, spirito arba panašių medžiagų. Gali atsirasti išblukimų, deformacijų arba įtrūkimų.

## Pjūklo grandinės glandimas

**Pjūklo grandinę gaļaskite, kai:**

- pjaunant drėgną medieną, krenta miltų pavidalo pjuvenos;
- grandinė sunkiai skverbiasi į medieną, net ir stipriai spaudžiant;
- pjovimo kraštas yra aiškiai apgadintas;
- pjaunant medieną, pjūklas slenka kairėn arba dešinėn. (taip nutinka dėl nelygaus pjūklo grandinės išgalandimo arba tik vienos pusės apgadavimo)

Dažnai gaļaskite pjūklo grandinę, tačiau kiekvieną kartą nugaļaskite tik šiek tiek. Dažnai galandant, paprastai pakanka dviejų ar trijų didės brūkštelėjimų. Keletą kartų pagalandus pjūklo grandinę, ją reikėtų atiduoti į mūsų įgaliotąjį techninės priežiūros centrą, kad ją dar kartą pagalaštų.

## Galandimo kriterijai:

**⚠️PSPĖJIMAS:** Dėl pernelyg didelio atstumo tarp pjovimo krašto ir gylio ribotuvo padidėja atitranskos pavojus.

- **Pav.33:** 1. Pjovimo dantukų ilgis 2. Atstumas tarp pjovimo krašto ir gylio ribotuvo  
3. Mažiausias pjovimo dantukų ilgis (3 mm)

- Visų pjovimo dantukų ilgis privalo būti vienodas. Neveniodo ilgio pjovimo dantukai neleidžia pjūklo grandinei tolygiai sukstis, todėl grandinė gali nutrūkti.
- Kai pjovimo dantukų ilgis tapo 3 mm ar mažiau, negalškite grandinės. Grandinę reikia pakeisti nauja.
- Narelio storis nustatomas pagal atstumą tarp gylio ribotuvo (apvali noselė) ir pjovimo dantuko krašto.
- Geriausių pjovimo rezultatų pasiekama, kai atstumas tarp pjovimo dantuko krašto ir gylio ribotuvo yra toks, kaip nurodyta toliau.
  - Grandininio pjūklo ašmenys 90PX: 0,65 mm (0,025 col.)
  - Grandininio pjūklo ašmenys 91PX: 0,65 mm (0,025 col.)

► **Pav.34**

- Visi pjovimo dantukai turi būti vienodai pagaląsti 30° kampu. Pjovimo dantukus pagalاندus skirtingu kampu, kampo grandinė suksis netolygiai ir nelygiai, ji greičiau susidėvės arba net nutrūks.
- Naudokite tinkamą apvalią dildę, kad dantys būtų pagaląsti tinkamu kampu.
  - Grandininio pjūklo ašmenys 90PX: 55°
  - Grandininio pjūklo ašmenys 91PX: 55°

### Dildė ir dildės valdymas

- Grandininio pjūklo grandinės galandimui naudokite specialią apvalią dildę (papildomas priedas). Įprastos apvalios dildės netinka.
  - Toliau nurodyti kiekvienai pjūklo grandinei tinkamų apvalių dildžių skersmenys:
    - Grandininio pjūklo ašmenys 90PX: 4,5 mm (3/16 col.)
    - Grandininio pjūklo ašmenys 91PX: 4,0 mm (5/32 col.)
  - Dildė turi liesti pjovimo dantuką, tik braukiant ją į priekį. Atbulinio judesio metu atkelkite dildę nuo pjovimo dantuko.
  - Pirmiausia pagalškite trumpiausią pjovimo dantį. Šio trumpiausio pjovimo dantuko ilgis tampa šablonu, galandant visus kitus pjūklo grandinės pjovimo dantukus.
  - Nukreipkite dildę taip, kai parodyta piešinyje.
- **Pav.35:** 1. Dildė 2. Pjūklo grandinė

- Dildę lengviau nukreipti, naudojant dildės laikiklį (papildomas priedas). Ant dildės laikiklio pažymėtas teisingas 30° galandimo kampas (sulygiuokite žymes lygiagrečiai su pjūklo grandine) ir prasi-skverbimo gylio ribos (4/5 dildės skersmens).

► **Pav.36:** 1. Dildės laikiklis

- Pagalandę grandinę, patikrinkite gylio ribotuvo aukštį, naudodami grandinės matavimo įrankį (papildomas priedas).

► **Pav.37**

- Specialia plokščia dilde (papildomas priedas) nudildykite bet kokias išsikišusias dalis, kad ir kokios mažos jos būtų.
- Vėl užapvalinkite gylio ribotuvo priekines dalis.

## Pjovimo juostos valymas

Atplaišos ir pjuvenos kaupsis pjovimo juostos griovelje. Jos gali užkimšti juostos griovelį ir trukdyti tekėti alyvai. Kaskart galąsdami arba keisdami pjūklo grandinę, išvalykite šias atplaišas ir pjuvenas.

► **Pav.38**

## Žvaigždutės gaubto valymas

Atplaišos ir pjuvenos kaupsis žvaigždutės gaubte. Nuimkite žvaigždutės gaubtą ir grandinę nuo įrankio, tada išvalykite atplaišas ir pjuvenas.

► **Pav.39**

## Alyvos tiekimo angos valymas

Darbo metu alyvos tiekimo angoje gali susikaupti smulkii dalelių arba dulkių. Šios dulkės arba dalelės gali sutrikdyti paduodamos alyvos tekėjimą, todėl gali sutrikti visos pjūklo grandinės tepimas. Kai pjovimo juostos galas prastai tepamas grandinės tepimo alyva, išvalykite alyvos tiekimo angą tokiu būdu:

1. Nuimkite nuo įrankio žvaigždutės dangtelį ir pjūklo grandinę.
  2. Pašalinkite smulkias daleles arba dulkes, naudodami ploną atsuktuvą su grioveliais arba panašų įrankį.
- **Pav.40:** 1. Atsuktuvus su grioveliais 2. Alyvos išleidimo anga

3. Įkiškite akumulatoriaus kasetę į įrankį. Patraukite svirtinį gaiduką, kad tekanti grandinės tepimo alyva pašalintų alyvos išleidimo angoje susikaupusias dulkes arba kietas daleles.
4. Ištraukite iš įrankio akumulatoriaus kasetę. Uždėkite ant įrankio žvaigždutės dangtelį ir pjūklo grandinę.

## Pakeiskite žvaigždutę nauja

**⚠️PSPĖJIMAS:** Susidėvėjusi žvaigždutė sugadins naują pjūklo grandinę. Tokiu atveju žvaigždutę reikia pakeisti nauja.

Prieš pradėdami montuoti naują pjūklo grandinę, patikrinkite žvaigždutės būklę.

► **Pav.41:** 1. Žvaigždutė 2. Nusidėvinčios sritys

Keisdami žvaigždutę, visada įdėkite naują fiksavimo žiedą.

► **Pav.42:** 1. Fiksavimo žiedas 2. Žvaigždutė

**PASTABA:** Įsitinkinkite, kad žvaigždutė įdėta, kaip parodyta paveikslėlyje.

## Įrankio saugojimas

1. Nuvalykite įrankį, prieš sandėliuodami. Nuėmę žvaigždutės gaubtą, nuvalykite nuo įrankio visas atplaišas ir pjuvenas.
2. Nuvalę įrankį, leiskite jam padirbti be apkrovos, kad būtų sutepta pjūklo grandinė ir pjovimo juosta.
3. Įmaukite pjovimo juostą į pjovimo juostos gaubtą.
4. Ištuštinkite alyvos talpyklą.

## Nurodymai dėl periodinės techninės priežiūros

Norėdami užtikrinti ilgą įrenginio naudojimo laiką ir išvengti jo gedimų bei užtikrinti visišką jo saugos funkcijų veikimą, reguliariai atlikite toliau nurodytus techninės priežiūros darbus. Garantijos reikalavimai priimami tik tada, jeigu buvo reguliariai ir tinkamai atliekami šie darbai. Neatliekant nurodytų būtinų techninės priežiūros darbų, gali įvykti nelaimingų atsitikimų! Grandininio pjūklo naudotojui draudžiama atlikti šioje naudojimo instrukcijoje neaprašytus techninės priežiūros darbus. Visus šiuos darbus privalo atlikti mūsų įgaliotasis techninės priežiūros centras.

Tikrintinas elementas / veikimo laikas	Prieš darbą	Kasdien	Kas savaitę	Kas 3 mėnesius	Kasmet	Prieš dedant laikyti
Grandininis pjūklas	Patikrinimas.	✓	-	-	-	-
	Valymas.	-	✓	-	-	-
	Kreipkitės į įgaliotąjį techninės priežiūros centrą.	-	-	-	-	✓
Pjūklo grandinė	Patikrinimas.	✓	-	-	-	-
	Jei reikia, galandimas.	-	-	-	-	✓
Pjovimo juosta	Patikrinimas.	✓	✓	-	-	-
	Nuimkite nuo grandininio pjūklo.	-	-	-	-	✓
Grandinės stabdys	Patikrinkite, kaip veikia.	✓	-	-	-	-
	Reguliariai tikrinkite įgaliotame techninės priežiūros centre.	-	-	-	✓	-
Grandinės tepimas	Patikrinkite alyvos tiekimo greitį.	✓	-	-	-	-
Gaidukas	Patikrinimas.	✓	-	-	-	-
Atlaisvinimo svirtelė	Patikrinimas.	✓	-	-	-	-
Alyvos bakelio dangtelis	Patikrinkite užveržimą.	✓	-	-	-	-
Grandinės gaudyklė	Patikrinimas.	-	-	✓	-	-
Sraigatai ir veržlės	Patikrinimas.	-	-	✓	-	-

Kad gaminys būtų SAUGUS ir PATIKIMAS, jį taisyti, apžiūrėti ar vykdyti bet kokią kitą priežiūrą ar derinimą turi įgaliotasis kompanijos „Makita“ techninės priežiūros centras; reikia naudoti tik kompanijos „Makita“ pagamintas atsargines dalis.



# GEDIMŲ ŠALINIMAS

Prieš kreipdamiesi dėl remonto darbų, pirmiausia patikrinkite gedimus patys. Kilus problemų, apie kurias nepaaiškinta vartotojo vadove, nemėginkite ardyti įrankio. Kreipkitės į įgaliotuosius „Makita“ techninės priežiūros centrus, kuriuose remontui visuomet naudojamos originalios „Makita“ keičiamosios dalys.

Trikties būseną	Priežastis	Veiksmas
Nepavyksta paleisti grandininio pjūklo.	Neįdėtos akumuliatoriaus kasetės.	Įdėkite dvi įkrautas akumuliatoriaus kasetes.
	Akumuliatoriaus problema (maža įtampa).	Įkraukite akumuliatoriaus kasetes. Jei įkrauti nepavyksta, akumuliatoriaus kasetę pakeiskite.
	Išjungtas pagrindinis maitinimo jungiklis.	Jei grandininis pjūklas nėra naudojamas tam tikrą laiką, jis išjungiamas automatiškai. Dar kartą paspauskite pagrindinį maitinimo jungiklį.
Nesisuka pjūklo grandinė.	Ijungtas grandinės stabdys.	Atleiskite grandinės stabdį.
Po trumpo naudojimo laikotarpio variklis nustoja veikęs.	Mažas akumuliatoriaus įkrovos lygis.	Įkraukite akumuliatoriaus kasetes. Jei įkrauti nepavyksta, akumuliatoriaus kasetę pakeiskite.
Ant grandinės nėra alyvos.	Tuščias alyvos bakelis.	Pripildykite alyvos bakelį.
	Nešvarus alyvos nukreipimo griovelis.	Išvalykite griovelį.
	Prastai tiekiamą alyvą.	Reguliavimo sraigtu pakoreguokite tiekiamos alyvos kiekį.
Grandininis pjūklas nepasiekia didž. aps./min.	Akumuliatoriaus kasetė netinkamai įdėta.	Akumuliatoriaus kasetes įdėkite, kaip aprašyta šioje naudojimo instrukcijoje.
	Mažėjama akumuliatoriaus galia.	Įkraukite akumuliatoriaus kasetes. Jei įkrauti nepavyksta, akumuliatoriaus kasetę pakeiskite.
	Netinkamai veikia pavaros sistema.	Dėl remonto darbų kreipkitės į regiono įgaliotąjį techninės priežiūros centrą.
Mirksi pagrindinė maitinimo lemputė.	Gaidukas paspaudžiamas neveikimo sąlygomis.	Paspaudę pagrindinį maitinimo jungiklį ir atleidę grandinės stabdį, paspauskite gaiduką.
Grandinė nesustoja, netgi įjungus grandinės stabdį: <b>nedelsdami sustabdykite įrenginį!</b>	Nusidėvėjęs stabdžio juosta.	Dėl remonto darbų kreipkitės į regiono įgaliotąjį techninės priežiūros centrą.
Neįprasta vibracija: <b>nedelsdami sustabdykite įrenginį!</b>	Atsilaisvinusi pjovimo juosta arba pjūklo grandinė.	Pareguliuokite pjovimo juostos arba pjūklo grandinės įtempimą.
	Įrankio triktis.	Dėl remonto darbų kreipkitės į regiono įgaliotąjį techninės priežiūros centrą.

## PASIRENKAMI PRIEDAI

**⚠️PERSPĖJIMAS:** Šiuos papildomus priedus arba įtaisus rekomenduojama naudoti su šioje instrukcijoje nurodytu „Makita“ bendrovės įrankiu. Naudojant bet kokius kitus papildomus priedus arba įtaisus, gali kilti pavojus sužeisti žmones. Naudokite tik nurodytam tikslui skirtus papildomus priedus arba įtaisus.

Jeigu norite daugiau sužinoti apie tuos priedus, kreipkitės į artimiausią „Makita“ techninės priežiūros centrą.

- Pjūklo grandinė
- Pjovimo juosta
- Pjovimo juostos gaubtas
- Dildė
- Krepšys įrankiui
- Originalus „Makita“ akumuliatorius ir įkroviklis

**⚠️PERSPĖJIMAS:** Jei pirksite kitokio nei standartinę pjovimo juosta ilgio juosta, taip pat įsigykite tinkamą pjovimo juostos gaubtą. Jis turi užsidėti ir visiškai uždengti pjovimo juosta ant grandininio pjūklo.

**PASTABA:** Kai kurie sąrašė esantys priedai gali būti pateikti įrankio pakuotėje kaip standartiniai priedai. Jie įvairiose šalyse gali skirtis.

## TEHNILISED ANDMED

<b>Mudel:</b>		<b>DUC303</b>	<b>DUC353</b>	<b>DUC400</b>
Üldpikkus (ilma juhtlatita)		443 mm		
Nimipinge		Alalisvool 36 V		
Standardne akukassett		BL1815N, BL1820, BL1820B, BL1830, BL1830B, BL1840, BL1840B, BL1850, BL1850B, BL1860B		
Netokaal (kui kasutada BL1815N-i)	koos 90PX-ga	4,6 kg	4,7 kg	4,8 kg
	koos 91PX-ga	4,7 kg	4,8 kg	4,9 kg
Standardse juhtlati pikkus		300 mm	350 mm	400 mm
Juhtlati soovitatav pikkus		300 - 400 mm		
Sobiv saeketi tüüp (vt alljärgnevat tabelit)		90PX 91PX		
Ketiratas	Hammaste arv	6		
	Samm	3/8"		
Keti kiirus		0–20 m/s (0–1 200 m/min)		
Ketiõli paagi mahutavus		200 cm <sup>3</sup>		

### Saekett ja juhtlatt

Saeketi tüüp		90PX		
Veolülide arv		46	52	56
Juhtlatt	Juhtlati pikkus	300 mm	350 mm	400 mm
	Lõikepikkus	280 mm	330 mm	375 mm
	Samm	3/8"		
	Mõõdik	1,1 mm		
	Tüüp	Ketiratta otsa latt		

Saeketi tüüp		91PX		
Veolülide arv		46	52	56
Juhtlatt	Juhtlati pikkus	300 mm	350 mm	400 mm
	Lõikepikkus	280 mm	330 mm	375 mm
	Samm	3/8"		
	Mõõdik	1,3 mm		
	Tüüp	Ketiratta otsa latt		

- Meie pideva uuringu- ja arendusprogrammi tõttu võidakse tehnilisi andmeid muuta ilma sellest ette teatamata.
- Tehnilised andmed ja akukassett võivad riigiti erineda.
- Kaal koos akukassetiga, EPTA-protseduuri 01/2003 kohaselt

**⚠ HOIATUS:** Kasutage juhtlati ja saeketi sobivat kombinatsiooni. Muidu võib tulemuseks olla kehavigastus.

### Sümbolid

Alljärgnevalt kirjeldatakse seadmetel kasutatavaid tingimärke. Veenduge, et olete nende tähendusest aru saanud enne seadme kasutamist.



Lugege juhendit.



Kandke kaitseprille.



Kasutage kõrvakaitsmeid.



Kandke kiivrit, kaitseprille ja kõrvakaitsmeid.



Kasutage sobivaid kaitsmeid käte ja jalgade kaitsmiseks.



Ärge jätke seadet niiskuse kätte.



Suurim lubatud lõikepikkus



Keti liikumise suund



Saeketiõli reguleerimine



Ainult EL-i riikide puhul  
Arge visake elektriseadmeid ja akusid ära koos majapidamisjäätmetega!  
Vastavalt Euroopa Parlamendi ja Nõukogu direktiividele elektri- ja elektroonikaseadmete jäätmete kohta ning patareide ja akude ning patarei- ja akujäätmete kohta ning nende nõuete kohaldamisele liikmesriikides tuleb kasutuskõlbmatuks muutunud elektriseadmeid ja akud koguda eraldi ning keskkonnasäästlikult korduv kasutada või ringlusse võtta.

## Kavandatud kasutus

Kettsaag on ette nähtud puidu lõikamiseks.

## Müra

Tüüpiline A-korrigeeritud müratase, määratud standardi EN60745 kohaselt:

### Mudel DUC303

Helirõhutase ( $L_{pA}$ ): 87,7 dB (A)

Helivõimsuse tase ( $L_{WA}$ ): 100,4 dB (A)

Määramatus (K): 2 dB (A)

### Mudel DUC353

Helirõhutase ( $L_{pA}$ ): 87,7 dB (A)

Helivõimsuse tase ( $L_{WA}$ ): 100,4 dB (A)

Määramatus (K): 2 dB (A)

**HOIATUS:** Kasutage kõrvakaitsmeid.

## Vibratsioon

Vibratsiooni koguväärtus (kolmeteljeliste vektorite summa) määratud standardi EN60745 kohaselt:

### Mudel DUC303

Töörežiim: puidu saagimine

Vibratsiooniheide ( $a_{h,w}$ ): 5,3 m/s<sup>2</sup>

Määramatus (K): 1,5 m/s<sup>2</sup>

### Mudel DUC353

Töörežiim: puidu saagimine

Vibratsiooniheide ( $a_{h,w}$ ): 5,3 m/s<sup>2</sup>

Määramatus (K): 1,5 m/s<sup>2</sup>

**MÄRKUS:** Deklareeritud vibratsiooniheide väärtus on mõõdetud kooskõlas standardse testimismeetodiga ning seda võib kasutada ühe seadme võrdlemiseks teiseiga.

**MÄRKUS:** Deklareeritud vibratsiooniheide väärtust võib kasutada ka mürataseme esmaseks hindamiseks.

**HOIATUS:** Vibratsioonitase võib elektritööriista tegelikuses kasutamise ajal erineda deklareeritud väärtusest olenevalt tööriista kasutamise viisidest.

**HOIATUS:** Rakendage operaatori kaitsmiseks kindlasti piisavaid ohutusabinõusid, mis põhinevad hinnangulisel müratasemel tegelikus tööolukorras (võttes arvesse tööperioodi kõiki osasid, nagu näiteks korrad, kui seade lülitatakse välja ja seade töötab tühikäigul, lisaks tööajale).

## EÜ vastavusdeklaratsioon

### Ainult Euroopa riikide puhul

EÜ vastavusdeklaratsioon sisaldub käesoleva juhendi Lisas A.

## OHUTUSHOIATUSED

### Üldised elektritööriistade ohutushoiatused

**HOIATUS:** Lugege läbi kõik selle elektritööriistaga kaasas olevad ohutushoiatused, juhised, joonised ja tehnilised andmed. Järgnevate juhiste eiramine võib põhjustada elektrilöögi, süttimise ja/või raske kehavigastuse.

### Hoidke edaspidisteks viide- teks alles kõik hoiatused ja juhtnöörid.

Hoiatuses kasutatud termini „elektritööriist“ all peetakse silmas elektriga töötavaid (juhtmega) elektritööriistu või akuga töötavaid (juhtmata) elektritööriistu.

### Juhtmata mootorsae ohutusnõuded

- Hoidke kõik kehaosad mootorsaest selle töö ajal eemal. Enne mootorsae käivitamist veenduge, et saag ei puutuks millegagi kokku.** Hetkeline tähelepanematus mootorsae töötamise ajal võib põhjustada teie riiete või keha takerdumist saeketti.
- Hoidke alati mootorsaagi parema käega tagumisest käepidemest ja vasaku käega esimesest käepidemest.** Mootorsae hoidmine vastupidist käte asetust kasutades suurendab kehavigastuse ohtu ja nii ei tohiks kunagi toimida.
- Hoidke elektritööriista ainult isoleeritud haardepindadest, sest saekett võib sattuda kokkupuutesse varjatud juhtmetega.** Pingestatud juhtmega kokkupuutesse sattunud saeketid võivad pingestada elektritööriista metallosi, mille tagajärjel võib seadme kasutaja saada elektrilöögi.
- Kasutage kaitseprille ja kuulmiskaitsmeid.** Soovitatav on ka peale, kätele, säärtetele ja jalalabadele mõeldud kaitsevarustus. Vastav kaitseriie- tus vähendab vigastuste ohtu juhuslikul kokkupuute- tel lendleva rusu või mootorsaeaga.
- Ärge töötage mootorsaeaga puu otsas.** Mootorsaeaga puu otsas töötamine võib lõppeda vigastustega.
- Toetuge alati korralikule jalgealusele ja kasutage mootorsaagi ainult liikumatul, kindlal ja tasasel pinnal.** Libedad ja ebastabiilsed pinnad (nagu redelid) võivad põhjustada tasakaalukaotust või sae üle kontrolli kaotamist.
- Pingul oleva puuharu lõikamisel olge valvas tagasilöögi suhtes.** Kui pinge puu kiududes vabaneb, võib pingul olnud oks operaatorit ootamatult tabada ja/või sae kontrolli alt välja lüüa.
- Olge eriti ettevaatlik võsa ja noorte puude saagimisel.** Õhuke materjal võib kergesti puruneda ja piitsana teie poole lennata või teid tasakaalust välja lüüa.

9. **Kandke mootorsaagi väljalülitatud esikäepidemest ning oma kehast eemal hoides. Mootorsae transportimisel või hoiundamisel pange alati juhtlatile kate peale.** Mootorsae korrektne käsitsemine vähendab kokkupuute tõenäosust liikuva saekettaga. Hoidke kõik kehaosad lõiketerast eemal.
10. **Järgige õlitamist, keti pingutamist ja lisatarvikute vahetamist puudutatuid juhiseid.** Valesti pingutatud või õlitatud ketid võivad puruneda või suurendada tagasilöögi ohtu.
11. **Hoidke käed kuivad, puhtad ning õli- ja rasvavabad.** Rasvased ja õlised käepidemed on libedad ja võivad põhjustada kontrolli kaotamist sae üle.
12. **Lõigake ainult puitu. Ärge kasutage mootorsaagi selleks mitte mõeldud eesmärkidel.** Näiteks ärge kasutage mootorsaagi plastmassi, kivi või mitte puidust ehitusmaterjalide lõikamiseks. Mootorsae kasutamine selleks mitte ettenähtud tööde tegemiseks võib tekitada ohtliku olukorra.
13. **Tagasilöögi põhjused ja operaatori tegevus selle vältimiseks.** Tagasilöökk võib ette tulla juhtlati otsa või tera kokkupuutel esemega või kui puit hakkab lähenema ja tõmbab saeketi lõikekohta. Tera kokkupuude võib mõnel juhul põhjustada äkilise vastupidise reaktsiooni, lüües juhtlati üles ja tagasi operaatori suunas. Saeketi tõmbamine mööda juhtlati tera võib tõugata juhtlati kiiresti tagasi operaatori suunas. Kõik need reaktsioonid võivad põhjustada kontrolli kaotamist mootorsae üle, mis võib tekitada tõsisemaid vigastusi. Ärge lootke ainuüksi sae sisseehitatud ohutusseadmetele. Mootorsae kasutajana peaksite võtma kasutusele mitmedabinõud, et vältida oma lõiketöodes õnnetusi ja vigastusi. Tagasilöök tuleneb tööriista valest kasutamisest ja/või ebakorrektestest tööprotseduuridest või -tingimustest ning on välditav allpool loetletud vastavate ettevaatusabinõude kasutusele võtmisega.
- Säilitage tugev haare, hoides mõlema käe põialde ja näppudega mootorsae käepidemeid ning sättige oma keha ja käsi nii, et suudaksite vastu panna tagasilöögi jõule. Vastavaid ettevaatusabinõusid kasutusele võttes on operaatoril võimalik kontrollida tagasilöögi jõudu. Ärge laske mootorsaest lahti.

#### ► Joon.1

- Ärge küünitage saagimisel liiga ette ega saagige olakõrgusest kõrgemalt. Sel moel väldite soovimatuid kokkupuuteid saeteraga ja suudate mootorsaagi ootamatutes situatsioonides paremini kontrolli all hoida.
  - Kasutage ainult tootja poolt lubatud tagavaraletti ja -kette. Ebaõiged tagavaraletid ja -ketid võivad põhjustada keti purunemist ja/või anda tagasilöögi.
  - Järgige tootja juhiseid kettsae teritamise ja hoolduse kohta. Lõikesügavuse kõrguse vähendamine võib põhjustada suuremat tagasilööki.
14. **Enne töö alustamist kontrollige, kas kettsaag on töökorras ja kas selle seisund vastab ohutuseeskirjade nõuetele. Kontrollige eriti, kas:**
- ketipidur töötab õigesti;
  - mahakäigupidur töötab õigesti;
  - juhtlati- ja ketikate on õigesti paigaldatud;

- kett on teritatud ja pingutatud vastavalt eeskirjadele.

15. **Ärge käivitage kettsaagi, kui ketikate on peal.** Kui käivitate kettsaagi, mille ketikate on peal, võib ketikate selle tulemusena paiskuda ettepoole, põhjustades vigastusi ja kahjustades operaatori läheduses olevaid objekte.

## HOIDKE JUHEND ALLES.

**⚠ HOIATUS: ÄRGE UNUSTAGE** järgida toote ohutusnõudeid mugavuse või toote (korduskasutamisega saavutatud) hea tundmise tõttu. **VALE KASUTUS** või kasutusjuhendi ohutuseeskirjade eiramine võib põhjustada tervisekahjustusi.

## Akukassetiga seotud olulised ohutusjuhised

- Enne akukasseti kasutamist lugege (1) akulaadial, (2) akul ja (3) seadmel olevad juhtnõidid ja hoiatused läbi.**
- Ärge võtke akukasseti lahti.**
- Kui tööaeg järsult lüheneb, siis lõpetage kohe kasutamine.** Edasise kasutamise tulemuseks võib olla ülekuumenemisoht, võimalikud põletused või isegi plahvatus.
- Kui elektrilüüti satub silma, siis loputage silma puhta veega ja pöörduge koheselt arsti poole.** Selline õnnetus võib põhjustada pimedaksjäämist.
- Ärge tekitage akukassetis lühist:**
  - Ärge puutuge klemme elektrijuhtidega.
  - Ärge hoidke akukassetti tööriistakastis koos metallsemetega, nagu naelad, mündid jne.
  - Ärge tehke akukassetti märjaks ega jätke seda vilma kätte.

**Aku lühis võib põhjustada tugevat elektrivoolu, ülekuumenemist, põletusi ning ka seadet tõsiselt kahjustada.**

- Ärge hoidke tööriista ja akukassetti kohtades, kus temperatuur võib tõusta üle 50 °C.**
- Ärge põletage akukassetti isegi siis, kui see on saanud tõsiselt vigastada või on täiesti kulunud. Akukassett võib tules plahvatada.**
- Olge ettevaatlik, ärge laske akul maha kukkuda ja vältige lööke.**
- Ärge kasutage kahjustatud akut.**
- Sisalduvatele liitium-ioonakudele võivad kohalduda ohtlike kaupade õigusaktide nõuded.** Kaubanduslikul transportimisel, näiteks kolmanda poolte või transpordiettevõtete poolt, tuleb järgida pakendil ja siltidel toodud erinõudeid. Transportimiseks ettevalmistamisel on vajalik pidada nõu ohtliku materjali eksperdigaga. Samuti tuleb järgida võimalike riiklike regulatsioonide üksikasjalikumaid nõudeid. Katke teibiga või varjake avatud kontaktid ja pakendage aku selliselt, et see ei saaks pakendis liikuda.
- Järgige kasutuskõlbatuks muutunud aku käitlemisel kohalikke eeskirju.**

## HOIDKE JUHEND ALLES.

**⚠ETTEVAATUST:** Kasutage ainult Makita originaalakusid. Mitte Makita originaalakude või muudetud akude kasutamine võib põhjustada akude süttimise, kehavigastuse ja kahjustuse. Samuti muudab see kehtetuks Makita tööriista ja laadija Makita garantii.

## Vihjeid aku maksimaalse kasutusaja tagamise kohta

1. Laadige akukasseti enne selle täielikku tühjenemist. Kui märkate, et tööriist töötab väiksema võimsusega, peatage töö ja laadige akukasseti.
- Joon.2

1	Akukasset	2	Eesmine käekaitse	3	Juhtlatt
4	Saekett	5	Hoob	6	Regulaatorketas
7	Kontrollnupp	8	Mahtvusindikaator	9	Toitelamp
10	Toitelüliti	11	Lukust avamise hoob	12	Tagumine käepide
13	Lüliti päästik	14	Eesmine käepide	15	Õlipaagi kork
16	Ketipüüdj	17	Reguleerimiskruvi (õlipumbale)	18	Juhtlati kate

## FUNKTSIONAALNE KIRJELDUS

**⚠ETTEVAATUST:** Kandke alati hoolt selle eest, et tööriist oleks enne reguleerimist ja kontrollimist välja lülitatud ja akukasset eemaldatud.

### Akukasseti paigaldamine või eemaldamine

**⚠ETTEVAATUST:** Lülitage tööriist alati enne akukasseti paigaldamist või eemaldamist välja.

**⚠ETTEVAATUST:** Akukasseti paigaldamisel või eemaldamisel tuleb tööriista ja akukassetti ei hoita kindlalt paigal, võivad need käest libiseda ning kahjustada tööriista ja akukassetti või põhjustada kehavigastusi.

- Joon.3: 1. Punane näidik 2. Nupp 3. Akukasset

Akukasseti eemaldamiseks libistage see tööriista küljest lahti, vajutades kasseti esiküljel paiknevat nuppu alla.

Akukasseti paigaldamiseks joondage akukasseti keel korpuse soonega ja libistage kassett oma kohale. Paigaldage akuadapter alati nii kaugele, et see lukustuks klõpsatusega oma kohale. Kui näete nupu ülaosas punast osa, pole kassett täielikult lukustunud.

**⚠ETTEVAATUST:** Paigaldage akukassett alati täies ulatuses nii, et punast osa ei jääks näha. Muidu võib adapter juhuslikult tööriistast välja kukkuda ning põhjustada teile või läheduses viibivatele isikutele vigastusi.

**⚠ETTEVAATUST:** Ärge rakendage akukasseti paigaldamisel jõudu. Kui kassett ei lähe kergesti sisse, pole see õigesti paigaldatud.

2. Ärge laadige täielikult laetud akukasseti. Ülelaadimine lühendab akude kasutusiga.
3. Laadige akukassetti toatemperatuuril 10 °C - 40 °C. Enne laadimist laske kuumenenud akukassetil maha jahtuda.
4. Kui te ei kasuta akukasseti kauem kui kuus kuud, laadige see.

## OSADE KIRJELDUS

**MÄRKUS:** Tööriist ei tööta ainult ühe akukassetiga.

**MÄRKUS:** Pöörake aku paigaldamisel tähelepanu oma sõrmede asendile. Nupp võidakse kogemata alla suruda.

### Tööriista/aku kaitsesüsteem





Tööriist on varustatud tööriista või aku kaitsesüsteemiga. Süsteem lülitab mootori automaatselt välja, et pikendada tööriista ja aku tööiga. Tööriist seiskub käitamise ajal automaatselt, kui tööriista või aku kohta kehtib üks järgmistest tingimustest. Teatud tingimustes hakkavad indikaatorid põlema.

### Ülekoormuskaitse

Kui tööriista kasutatakse viisil, mis põhjustab ebanormaalselt kõrget voolutaset, siis seiskub tööriist automaatselt ja toitelamp hakkab vilkuma. Sellisel juhul lülitage tööriist välja ja lõpetage tööriista ülekoormuse põhjustatud kasutus. Pärast seda käivitage tööriist uuesti.

### Ülekuumenemiskaitse

Ülekuumenemise korral seiskub tööriist automaatselt ja mahtvusindikaatori lamp hakkab näidatud moel vilkuma. Sellises olukorras laske tööriistal enne uuesti sisselülitamist maha jahtuda.

Mahtvusindikaatori olek			Olek
 Poleb	 Ei põle	 Vilgub	Ülekuumenenud.
			

### Ülelaadimiskaitse

Kui aku laetuse tase on madal, siis seiskub tööriist automaatselt. Kui seade ei hakka tööle ka lülitite kasutamisel, eemaldage tööriistast akud ja laadige neid.

## Aku jääkmahutavuse näit

- **Joon.4:** 1. Kontrollimise nupp  
2. Mahtvusindikaator

Kontrollnuppu vajutades näidatakse aku jääkmahtuvust. Kummalgi akul on oma mahtvusindikaator.

Mahtvusindikaatori olek			Aku jääkmahtuvus
Pöleb	Ei põle	Vilgub	
			50% kuni 100%
			20% kuni 50%
			0% kuni 20%
			Laadige akut

## Aku jääkmahutavuse näit

*Ainult näidikuga akukassettidele*

- **Joon.5:** 1. Märkulambid 2. Kontrollimise nupp

Akukasseti järelejäänud mahutavuse kontrollimiseks vajutate kontrollimise nuppu. Märkulambid süttivad mõneks sekundiks.

Märkulambid			Jääkmahutavus
Pöleb	Ei põle	Vilgub	
			75 - 100%
			50 - 75%
			25 - 50%
			0 - 25%
			Laadige akut.
			Akul võib olla tõrge.

**MÄRKUS:** Näidatud mahutavus võib veidi erineda tegelikust mahutavusest olenevalt kasutustingimustest ja ümbritseva keskkonna temperatuurist.

## Toitelüliti

**▲HOIATUS:** Kui seadet ei kasutata, lülitage toitelüliti alati välja.

Kettsae ootele seadmiseks vajutage toitelüliti, kuni toitelamp süttib. Väljalülitamiseks vajutage uuesti toitelüliti.

- **Joon.6:** 1. Toitelüliti

**MÄRKUS:** Mittekasutatavates tingimustes lüliti päästiku vajutamisel hakkab toitelamp vilkuma. Lamp vilgub, kui te

- lülitate toitelüliti sisse, hoides samal ajal lukust avamise hooba ja lüliti päästikut all;
- vajutate lüliti päästikut ketipiduri rakendamise ajal;
- vabastate ketipiduri, hoides samal ajal lukust avamise hooba all ja vajutades lüliti päästikut.

**MÄRKUS:** Sel kettsael on automaatse väljalülitamise funktsioon. Juhusliku käivitamise vältimiseks lülitub toitelüliti automaatselt välja, kui lüliti päästikut ei ole toitelüliti sisselülitamise järel teatud aja jooksul vajutatud.

## Lüliti funktsioneerimine

**▲HOIATUS:** Ohutuse huvides on sellel tööriistal lukust avamise hoob, mis hoiab ära tööriista ootamatu käivitamise. ÄRGE KUNAGI kasutage tööriista, kui see hakkab tööle lihtsalt lüliti päästiku tõmbamisel, lukust avamise hooba vajutamata. ENNE edasist kasutamist viige masin parandamiseks volitatud teeninduskeskusesse.

**▲HOIATUS:** ÄRGE KUNAGI teipige lahtilukustuse hooba kinni ega üritage selle funktsiooni blokeerida.

**▲ETTEVAATUST:** Kontrollige alati enne akukasseti tööriista külge paigaldamist, kas lüliti päästik funktsioneerib nõuetekohaselt ja liigub lahtilaskmisel tagasi väljalülitatud asendisse.

**TÄHELEPANU:** Ärge tõmmake lüliti päästikut jõuga ilma lahtilukustuse hooba vajutamata. See võib põhjustada lüliti purunemise.

Lüliti päästiku juhusliku vajutamise vältimiseks on tööriistal lukust avamise hoob. Tööriista käivitamiseks vajutage alla lukust avamise hoob ja vajutage lüliti päästikut. Seiskamiseks vabastage lüliti päästik.

- **Joon.7:** 1. Lüliti päästik 2. Lukust avamise hoob

## Ketipiduri kontrollimine

**▲ETTEVAATUST:** Hoidke kettsaagi sisselülitamisel mõlema käega. Hoidke parema käega tagumisest käepidemest ja vasaku käega eesmisest käepidemest. Latt ja kett ei tohi ühegi eseme vastu puutuda.

**▲ETTEVAATUST:** Kui saekett selle testi läbiviimisel silmapilkselt ei peatu, ei tohi saagi mitte mingil tingimusel kasutada. Pöörduge volitatud teeninduskeskuse poole.

1. Tõmmake lukust avamise hooba ja siis vajutage lüliti päästikut. Saekett käivitub silmapilkselt.
2. Vajutage eesmist kätekaitsset käeselja abil ettepoole. Kontrollige, kas saekett jääb kohe seisma.
  - ▶ **Joon.8:** 1. Eesmine käekaitse 2. Lukustamata asend 3. Lukustatud asend

## Mahakäigupiduri kontrollimine

**⚠ETTEVAATUST:** Kui saekett ei seisku selles testis ühe sekundi jooksul, seisake kettsaag ja pidage nõu volitatud teeninduskeskusega.

Laske saeketil käia ja vabastage seejärel lüliti päästik täielikult. Saekett peab sekundi jooksul seiskuma.

## Keti määrimise reguleerimine

Õlipumba etteandemäära saab reguleerida reguleerimiskruviga. Õli kogust saab reguleerida universaalse mutrivõtmeaga.

- ▶ **Joon.9:** 1. Reguleerimiskruvi

## KOKKUPANEK

**⚠ETTEVAATUST:** Kandke alati hoolt selle eest, et tööriist oleks enne igasuguseid hooldustöid välja lülitatud ja akukassett eemaldatud.

**⚠ETTEVAATUST:** Ärge puudutage saeketti paljaste kätega. Kandke saeketi käsitemisel alati kaitsekindaid.

## Saeketi eemaldamine või paigaldamine

**⚠ETTEVAATUST:** Pärast töötamist on saekett ja juhtlatt endiselt kuumad. Enne mis tahes tööde teostamist tööriistal laske nendel piisavalt maha jahtuda.

Saeketi eemaldamiseks toimige järgmiselt.

1. Tõmmake hooba üles, vajutades samas selle serva.
  - ▶ **Joon.10:** 1. Hoob
2. Saeketi pingsuse vähendamiseks keerake regulaatorketast suunas „-“.
  - ▶ **Joon.11:** 1. Regulaatorketas
3. Keerake hooba vastupäeva kuni ketiratta kate maha tuleb.
  - ▶ **Joon.12:** 1. Hoob 2. Ketiratta kate
4. Eemaldage ketiratta kate; seejärel eemaldage kettsae korpusest saekett ja juhtlatt.

Saeketi paigaldamiseks toimige järgmiselt.

1. Pange tähele keti liikumissuunda. Keti liikumissuunda näitab ketil olev noolemärk.
2. Asetage saeketi üks ots juhtlati tippu ja teine ots ketiratta ümber.
  - ▶ **Joon.13:** 1. Ketiratas

3. Asetage juhtlatt ettenähtud kohale.
4. Selleks, et libistada reguleerimistihvti noole suunas, keerake regulaatorketast suunas „-“.
  - ▶ **Joon.14:** 1. Reguleerimistihvt

5. Paigaldage ketiratas saeketile nii, et reguleerimistihvt paikneks juhtlati väikeses augus.
  - ▶ **Joon.15:** 1. Ketiratta kate 2. Juhtlatt 3. Ava

6. Keti pingsuse reguleerimiseks vajaliku lõdvenduse saavutamiseks keerake hoob täielikult päripäeva ja seejärel veerand pööret tagasi.

7. Keti pingsuse reguleerimiseks keerake regulaatorketast.

8. Pöörake hooba päripäeva, kuni ketiratta kate on kinni, ja tooge seejärel algasendis tagasi.
  - ▶ **Joon.16:** 1. Hoob 2. Ketiratta kate

## Saeketi pingsuse reguleerimine

**⚠ETTEVAATUST:** Paigaldage ja eemaldage saekett alati puhtas kohas, kus ei ole saepuru ega midagi muud sarnast.

**⚠ETTEVAATUST:** Ärge saeketti üle pingutage. Saeketi liigne pingsus võib põhjustada saeketi purunemise, juhtlati kulumise ja regulaatorketta purunemise.

**⚠ETTEVAATUST:** Liiga lõtv kett võib latil maha tulla ja põhjustada kehavigastusega õnnetusjuhtumi.

Tundidepikkuse kasutamise järel võib saekett lõdveneda. Enne kasutamist kontrollige aeg-ajalt saeketi pingsust.

1. Vajutage hooba ja avage see täielikult, kuni käib klõpsatus. Keerake seda pisut vastupäeva, et ketiratta katet natuke vabastada.
  - ▶ **Joon.17:** 1. Hoob 2. Ketiratta kate

2. Tõstke juhtlati ots kergelt üles ja reguleerige keti pingsust. Pöörake regulaatorketast lõdvendamiseks suunas „-“ ja pingutamiseks suunas „+“. Pingutage saeketti, kuni saeketi alumine külg asetub joonisel näidatud moel juhtlati juhikusse.
  - ▶ **Joon.18:** 1. Regulaatorketas 2. Juhtlatt 3. Saekett

3. Jätkake kergelt juhtlati toetamist ning pingutage ketiratta kate. Veenduge, et saekett ei oleks alumisel küljel lõtv.

4. Viige hoob tagasi algasendis.
  - ▶ **Joon.19:** 1. Hoob 2. Ketiratta kate

Veenduge, et saekett asetuks tihedalt vastu juhtlati alumist külge.

# TÖÖRIISTA KASUTAMINE

## Õlitamine

Tööriista kasutamise ajal õlitatakse saeketti automaatselt. Kontrollige regulaarselt õlipaagis alles olevat õli kogust.

Paagi täitmiseks asetage saekett küljele ja eemaldage õlipaagi kork. Õige õlikogus on 200 ml. Pärast paagi täitmist veenduge, et paagi kork oleks korralikult kinni.

► **Joon.20:** 1. Õlipaagi kork 2. Õlipaak (läbipaistev)

Pärast täitmist hoidke kettsaag puust eemal. Käivitage saag ja oodake, kuni saekett on piisavalt õlitatud.

► **Joon.21**

**TÄHELEPANU:** Esmakordsel ketiõliga täitmisel või täiesti tühjenenud paagi taastäitmisel lisage õli täitekaela alumise ääreni. Vastasel korral võib õliga varustamine olla häiritud.

**TÄHELEPANU:** Kasutage spetsiaalselt Makita jaoks mõeldud saeketiõli või sellega võrdväärset turul saada olevat õli.

**TÄHELEPANU:** Ärge kunagi kasutage tolmust või prügist õli ega lenduvat õli.

**TÄHELEPANU:** Puude kärpimisel kasutage botaanilist õli. Mineraalõli kahjustab puid.

**TÄHELEPANU:** Veenduge enne lõikamist, et komplekti õlipaagi kork oleks kohale keeratud.

## KETTSAEGA TÖÖTAMINE

**⚠ETTEVAATUST:** Seadme esmakordsel kasutamisel tuleks miinimumnõuete täitmiseks kasutada palkide lõikamiseks saepukki või -raami.

**⚠ETTEVAATUST:** Eelnevalt tükeldatud puidu saagimisel kasutage turvalist alust (saepukk vm alus). Saetavat puitu ei tohi hoida kinni jalaga ega lasta seda kinni hoida teisel inimesel.

**⚠ETTEVAATUST:** Ümarpuit tuleb saagimise ajaks kinnitada.

**⚠ETTEVAATUST:** Hoidke mootori töötamise ajal kõik oma kehaosad saeketist eemal.

**⚠ETTEVAATUST:** Hoidke kettsaagi mootori töötamise ajal tugevasti mõlema käega.

**⚠ETTEVAATUST:** Ärge küünitage liiga kaugele ette. Hoidke kogu aeg jalad kindlalt maas ning hoidke tasakaalu.

**TÄHELEPANU:** Ärge visake tööriista ega laske sel maha kukkuda.

**TÄHELEPANU:** Ärge katke kinni tööriista ventilatsiooniasiad.

Enne sae sisselülitamist pange kettsae korpuse alumine serv vastu lõigatavat oksa. Vastasel juhul võib see juhtlati loperdama panna, mille tagajärjeks võib olla operaatori kehavigastus. Saagige lõigatavat oksa, liigutades saagi alla vaid tema enda raskuse jõul.

► **Joon.22**

Kui teil ei õnnestu puitu ühe saagiskorraga läbi lõigata.

Avaldage käepidemele kergert survet ja jätkake saagimist, tõmmates kettsaagi pisut tagasi, seejärel raken-dage saehambaid pisut madalamal ja lõpetage käepideme-st tõstes lõige.

► **Joon.23**

## Läbisaaigimine

1. Toetage kettsae korpuse alumine äär vastu lõiga-tavat puud.

► **Joon.24**

2. Saagige töötava saeketiga puusse, kasutades sae tõstmiseks tagumist käepidet ja sae suunamiseks ees-mist käepidet. Kasutage pöördteljena piiktuge.

3. Jätkake lõikamist, avaldades eesmisele käepide-mele kergert survet ja lastes saagi pisut tagasi. Lükake piiktuge sügavamale puitu ja tõstke uuesti eesmist käepidet.

**TÄHELEPANU:** Mitme lõike tegemisel lülitage kettsaag lõigete vahel välja.

**⚠ETTEVAATUST:** Kui lõikamisel kasutatakse lati ülaserava, siis võib kettsaag kinnikiilumise korral kasutaja suunas kalduda. Sel põhjusel lõigake alumise servaga, et saag kalduks kinnikiilumise korral teie kehast eemale.

► **Joon.25**

Lõigates pinge all olevat puitu, lõigake esmalt surve all olevat külge (A). Siis sooritage lõplik lõige pinges ole-vat küljel (B). See hoiab ära lati kinnikiilumise.

► **Joon.26**

## Okste laasimine

**⚠ETTEVAATUST:** Okste laasimist tohivad teha ainult vastava väljaõppega isikud. Siin on ohuks võimalik tagasilöökk.

Okste laasimisel toetage kettsaag võimalusel puutü-vele. Ärge lõigake lati tipuga, kuna see tekitab tagasi-löögi ohu.

Olge eriti tähepanelik pinge all olevate okste suhtes.

Ärge lõigake toetamata oksa altpoolt.

Ärge seiske okste laasimise ajal langetatud puu tüvel.

## Uuristamine ja puusüüjoontega paralleelsed lõiked

**⚠ETTEVAATUST:** Uuristamist ja puusüüjoon-tega paralleelset lõikamist tohivad teha ainult vastava väljaõppega isikud. Võimaliku tagasilöögi tõttu on oht vigastada saada.

Tehke puusüüjoontega paralleelset lõikamist võimalikult väikese nurga all. Olge lõikamisel eriti ettevaatlik, kuna piiktuge ei ole võimalik kasutada.

► **Joon.27**



## Langetamine

**⚠ETTEVAATUST:** Langetamist tohivad teha ainult vastava väljaõppega isikud. See on ohtlik töö.

Kui soovite puud langetada, järgige kohalikke eeskirju.

► **Joon.28:** 1. Langetamispiirkond

- Enne langetama asumist veenduge, et:
    - läheduses viibiks ainult langetamisega seotud isikud;
    - kõikidel osalevatel isikutel oleks tõkestamata taganemistee ligikaudu 45° ulatuses kummalgi pool puutüve langetamisnurka. Lisaks arvestage ka langetatava puu elektriliinidele kukkumise ohuga;
    - langetatava puu kännuosa oleks vaba võrkehadedest, juurtest ja okstest;
    - langetatava puu kukkumise suunas ei oleks ükski isik ega objekt lähemal kui 2 1/2 puu pikkust.
  - Arvestage iga langetatava puu osas järgmist:
    - kaldenurk;
    - lahtised või kuivanud oksad;
    - puu kõrgus;
    - võra;
    - kas puu on mädanenud.
  - Arvestage tuule kiiruse ja suunaga. Tugevate tuulepuhangute korral ärge langetama asuge.
  - Juurekühmude kärpimine: alustage suurematest kühmudest. Sooritage esmalt vertikaalne, seejärel horisontaalne lõige.
  - Seiske langeva puu kõrvale. Hoidke langeva puu tagune ruum 45° ulatuses kummalgi pool kukkumisnurka puhtana (vt joonist „langetamispiirkond“). Olge tähelepanelik kukkuvate okste suhtes.
  - Enne saagimise algust peaks vajadusel planeerima taganemistee ja selle takistustest vabastama. Taganemistee peaks suunduma langetamise liinist tahapoole, oodatavast langetamise suunast diagonaalselt vastassuunas, nagu joonisel näidatud.
- **Joon.29:** 1. Langetamissuund 2. Ohupiirkond 3. Põgenemistee

Puid langetades tegutsege järgmiselt.

1. Tehke viiltune lõige võimalikult maapinna lähedalt. Tehke esmalt horisontaalne lõige sügavusega 1/5–1/3 puutüve läbimõõdust. Ärge lõigake liiga viiltu. Seejärel tehke diagonaalne lõige.

► **Joon.30**

**MÄRKUS:** Viiltune lõige määrab puu langemise suuna ning suunab seda. Selline lõige tehakse sellel küljel, millele puud langetada soovitakse.

2. Viiltusel lõikamisel tehke tagumine lõige pisut kõrgemale kui põhilõige. Tagumine lõige peab olema täiesti horisontaalne. Jätke tagumise lõike ja viiltuse lõike vahele ruum, mis vastab ligikaudu 1/10 puutüve läbimõõdust. Puidukiud puutüve lõikamata osas toimivad hingena. Sisestage kiilud viiltusesse langetuslõikesse õigeaegselt.

► **Joon.31**

**⚠HOIATUS:** Ärge mitte mingil juhul lõigake otse läbi kiudude. Vastasel juhul võib puu kukkuda täiesti kontrollimatult.

**TÄHELEPANU:** Langetuslõike avatuna hoidmiseks võib kasutada ainult plast- või alumiiniumkiilusid. Rauast kiilude kasutamine on keelatud.

## Tööriista kandmine

Enne tööriista kandmist pange alati peale ketipidur ja eemaldage tööriistalt akukassetid. Seejärel kinnitage juhtlati kate. Samuti katke akukassetit akukattega.

► **Joon.32:** 1. Juhtlati kate 2. Akukate

## HOOLDUS

**⚠ETTEVAATUST:** Enne kontrolli- või hooldustoimingute tegemist kandke alati hoolt selle eest, et tööriist oleks välja lülitatud ja akukassetit korpuse küljest eemaldatud.

**⚠ETTEVAATUST:** Tööriista kontrollimisel ja hooldustööde tegemisel kandke alati kindaid.

**TÄHELEPANU:** Ärge kunagi kasutage bensiini, vedeldit, alkoholi ega midagi muud sarnast. Selle tulemuseks võib olla luitumine, deformatsioon või pragunemine.

## Saeketi teritamine

Teritage saeketti siis, kui:

- niiske puidu saagimisel tekib jahune saepuru;
- kett läbibast puitu raskustega isegi tugeva surve avaldamisel;
- lõikeserval on silmnähtavad vigastused;
- saag kisub pidus paremale või vasakule (seda põhjustab saeketi ebaühtlane teritatus või ainult ühe külje vigastus).

Teritage saeketti sagedasti, kuid ainult natukese haaval. Rutiinsel teritamisel piisab enamasti kahest või kolmest viiltõmbest. Parast saeketi mitmekordset teritamist laske seda teritada meeli volitatud teeninduskeskuses.

**Teritamiskriteeriumid**

**⚠HOIATUS:** Lõikeserva ja sügavuspiiraja vaheline liiga suur vahemaa suurendab tagasilöögi ohtu.

► **Joon.33:** 1. Lõikuri pikkus 2. Lõikeserva ja sügavuspiiraja vahemaa 3. Lõikuri minimaalne pikkus (3 mm)

- Kõik lõikurid peavad olema võrdse pikkusega. Erineva pikkusega lõikurid takistavad sae sujuvat jooksu ning võivad põhjustada saeketi purunemise.
- Ärge teritage ketti, kui lõikuri pikkus on 3 mm või lühem. Kett tuleb vahetada uue vastu.
- Laastu paksus määratakse sügavuse piiraja (ümar nina) ja lõikeserva vahelise kauguse alusel.

- Parim lõiketulemus saadakse, kui vahemaa lõikeserva ja sügavuse piiraja vahel on järgmine.
  - Saetera 90PX: 0,65 mm (0,025 tolli)
  - Saetera 91PX: 0,65 mm (0,025 tolli)

► **Joon.34**

- Teritamisnurk 30° peab olema kõikidel lõikuritel ühesugune. Erinevad lõikurinurgad raskendavad sae jooksu ja muudavad selle ebaühtlaseks, kiirendavad kulumist ja viivad keti purunemiseni.
- Kasutage sobivat ümarviili, et tagada hammaste suhtes õige teritamisnurk.
  - Saetera 90PX: 55°
  - Saetera 91PX: 55°

**Viil ja viiljuhik**

- Kasutage keti teritamiseks spetsiaalselt saekettidele mõeldud ümarviili (lisatarvik). Tavalised ümarviilid ei sobi.
  - Eri saekettide puhul kasutatavate ümarviilide diameetrid on järgmised.
    - Saetera 90PX: 4,5 mm (3/16 tolli)
    - Saetera 91PX: 4,0 mm (5/32 tolli)
  - Viili peaks puutuma vastu lõikurit ainult tõuke ajal. Tagasitõmbe ajaks tõstke viil lõikuri pealt üles.
  - Teritage esmalt kõige lühemat lõikurit. Seejärel määrab lühima lõikuri pikkus saeketi kõigi ülejäänud lõikurite pikkuse.
  - Viilige joonisel näidatud moel.
- **Joon.35:** 1. Viil 2. Saekett
- Viili käsitsemine on hõlpsam, kui kasutada viilihoidikut (lisatarvik). Viilihoidikul on markeeringud õige teritamisnurga 30° leidmiseks (seadke markeeringud saeketiga paralleelselt ühele joonele) ja läbistussügavuse piiri tähised (kuni 4/5 viili läbimõõdust).

► **Joon.36:** 1. Viilihoidik

- Pärast keti teritamist kontrollige ketipiiraja (lisatarvik) abil sügavuse piiraja kõrgust.

► **Joon.37**

- Eemaldage spetsiaalse lameviiliga (lisatarvik) kõik väljaulatuvad osad, ükskõik kui väikesed need ka poleks.
- Ümardage uuesti sügavuse piiraja esiosa.

**Juhtlati puhastamine**

Juhtlati soonde kogunevad laastud ja saepuru. Need võivad lati soone ummistada ja takistada õli liikumist. Saeketi teritamisel või vahetamisel eemaldage alati ka laastud ja saepuru.

► **Joon.38**

**Ketiratta katte puhastamine**

Ketiratta katte sisse kogunevad saepuru ja laastud. Eemaldage ketiratta kate ja saekett tööriistalt ja puhastage seejärel saepurust ja laastudest.

► **Joon.39**

**Õli väljalaskeava puhastamine**

Töö käigus võib tühjendusavasse koguneda tolmu ja väikesed osakesi. Selline tolm ja väikesed osakesed võivad häirida õli voolu ja põhjustada terve saeketi ebapiisavat õlitatust. Kui juhtlati tipu õliga varustus häirub, siis puhastage õli väljalaskeava järgmisel moel.

1. Eemaldage tööriistalt ketiratta kate ja saekett.
  2. Eemaldage tolm või väikesed osakesed peenevarrelise lapikkrivikeeraja vms abil.
- **Joon.40:** 1. Lapikkrivikeeraja 2. Õli väljalaskeava
3. Pange akukassett tööriista sisse. Tõmmake lüliti päästikut, et lasta korjunud tolmul ja osakestel õli tühjendusava kaudu koos väljalastava õliga välja voolata.
  4. Eemaldage akukassett tööriista küljest. Paigaldage ketiratta kate ja saekett tööriistale tagasi.

**Ketiratta vahetamine**

**⚠ETTEVAATUST:** Kulunud ketiratas kahjustab uut saeketti. Sellisel juhul laske ketiratas välja vahetada.

Enne uue saeketi paigaldamist kontrollige ketiratta seisukorda.

► **Joon.41:** 1. Ketiratas 2. Kuluvad piirkonnad

Ketiratta vahetamisel paigaldage alati uus lukustusrõngas.

► **Joon.42:** 1. Lukustusrõngas 2. Ketiratas

**TÄHELEPANU:** Veenduge, et ketiratas paigaldaks alati joonisel näidatud viisil.

**Masina hoindamine**

1. Puhastage tööriist enne hoiupepanekut. Eemaldage tööriistast pärast ketiratta katte eemaldamist kõik laastud ja saepuru.
2. Pärast tööriista puhastamist laske sel saeketi ja juhtlati õlitamiseks tühjalt töötada.
3. Katke juhtlatt juhtlati kattega.
4. Tühjendage õlipaak.

## Regulaarne hooldus

Selleks, et tagada sae pikk kasutusiga, hoida ära selle rikked ning tagada ohutu töötamine, tuleb regulaarselt teha järgmisi hooldustöid. Seadme garantii kehtib üksnes juhul, kui nimetatud töid on tehtud regulaarselt ja nõuetekohaselt. Nende hooldustööde tegemata jätmine suurendab õnnetuste ohtu! Ketsae kasutaja tohib teha ainult käesolevas kasutusjuhendis kirjeldatud hooldustöid. Kõik sellised tööd tuleb lasta teha volitatud teeninduskeskuses.

Kontrollitav objekt / töötamisaeag		Enne kasutamist	Iga päev	Iga nädal	Iga 3 kuu tagant	Iga aasta	Enne hoiule panemist
Kettsaag	Ülevaatamine.	✓	-	-	-	-	-
	Puhastamine.	-	✓	-	-	-	-
	Kontrollige volitatud teeninduskeskuses.	-	-	-	-	✓	✓
Saekett	Ülevaatamine.	✓	-	-	-	-	-
	Teritamine vastavalt vajadusele.	-	-	-	-	-	✓
Juhtlatt	Ülevaatamine.	✓	✓	-	-	-	-
	Eemaldage kettsaelt.	-	-	-	-	-	✓
Ketipidur	Kontrollige toimimist.	✓	-	-	-	-	-
	Laske volitatud teeninduskeskuses regulaarselt üle vaadata.	-	-	-	✓	-	-
Keti õlitamine	Kontrollige õli etteandemäära.	✓	-	-	-	-	-
Lüliti päästik	Ülevaatamine.	✓	-	-	-	-	-
Lukust avamise hoob	Ülevaatamine.	✓	-	-	-	-	-
Õlipaagi kork	Kontrollige pingsust.	✓	-	-	-	-	-
Ketipüüdja	Ülevaatamine.	-	-	✓	-	-	-
Kruvid ja mutrid	Ülevaatamine.	-	-	✓	-	-	-

Toote OHUTUSE ja TÖÖKINDLUSE tagamiseks tuleb vajalikud remonttööd ning muud hooldus- ja reguleerimistööd lasta teha Makita volitatud teeninduskeskustes või tehase teeninduskeskustes. Alati tuleb kasutada Makita varuosi.

# VEAOTSING

Enne remonditöökotta pöördumist kontrollige niidukit ise. Ärge üritage niidukit lahti võtta, kui leiate probleemi, mida kasutusjuhendis ei kirjeldata. Selle asemel pöörduge Makita volitatud teeninduskeskusesse, kus kasutatakse remontimisel alati Makita tagavaraosi.

Tõrge	Põhjus	Tegevus
Kettsaag ei käivitu.	Kaks akukassetit ei ole paigaldatud.	Paigaldage kaks laetud akukassetit.
	Akuga seotud probleem (madal pingeline).	Laadige akukassetid. Kui laadimine ei anna tulemust, vahetage akukasset välja.
	Toitelüliti on väljas.	Kettsaag lülitub teatud mittekasutamise perioodi möödudes välja. Lülitage toitelüliti uuesti sisse.
Saekett ei liigu.	Ketipidur on peal.	Vabastage ketipidur.
Mootor seiskub pärast lühiajalist töötamist.	Aku laetustase on madal.	Laadige akukassetid. Kui laadimine ei anna tulemust, vahetage akukasset välja.
Ketil pole õli.	Õlipaak on tühi.	Täitke õlipaak.
	Õli juhtsoon on määratud.	Puhastage soon.
	Õli on halva kvaliteediga.	Reguleerige reguleerimiskruviga etteantava õli kogust.
Kettsaag ei saavuta maksimaalset pöörlemiskiirust.	Akukassetit ei ole õigesti paigaldatud.	Paigaldage akukassetid juhendis kirjeldatud viisil.
	Aku võimsus langeb.	Laadige akukassetid. Kui laadimine ei anna tulemust, vahetage akukasset välja.
	Veosüsteem ei tööta korralikult.	Pöörduge remontimiseks teie piirkonna volitatud teeninduskeskusesse.
Toitelamp vilgub.	Lüliti päästikut vajutati mittekasutatavates tingimustes.	Vajutage lüliti päästikut pärast toitelüliti sisselülitamist ja ketipiduri vabastamist.
Kett ei seisku isegi pärast ketipiduri aktiveerimist. <b>Seisake masin viivitamatult!</b>	Piduri rihm on kulunud.	Pöörduge remontimiseks teie piirkonna volitatud teeninduskeskusesse.
Ebatavaline vibratsioon: <b>Seisake masin viivitamatult!</b>	Juhtlatt või saekett on lõtv.	Reguleerige juhtlatti ja saeketi pingust.
	Tööriista rike.	Pöörduge remontimiseks teie piirkonna volitatud teeninduskeskusesse.

## VALIKULISED TARVIKUD

**⚠ETTEVAATUST:** Neid tarvikuid ja lisaseadiseid on soovitatav kasutada koos Makita tööriistaga, mille kasutamist selles kasutusjuhendis kirjeldatakse. Muude tarvikute ja lisaseadiste kasutamisega kaasneb vigastada saamise oht. Kasutage tarvikuid ja lisaseadiseid ainult oststarbekohaselt.

Saate vajaduse korral kohalikust Makita teeninduskeskusest lisateavet nende tarvikute kohta.

- Saekett
- Juhtlatt
- Juhtlatti kate
- Viil
- Tööriistakott
- Makita algupärane aku ja laadija

**⚠HOIATUS:** Kui ostate standardsest juhtlatist erineva pikkusega juhtlatti, ostke sinna juurde ka sobiva pikkusega juhtlatti kate. See peab sobima ja katma kettsae juhtlatti täielikult.

**MÄRKUS:** Mõned nimekirjas loetletud tarvikud võivad kuuluda standardvarustusse ning need on lisatud tööriista pakendisse. Need võivad riigiti erineda.

## ТЕХНИЧЕСКИЕ ХАРАКТЕРИСТИКИ

Модель:		DUC303	DUC353	DUC400
Общая длина (без пильной шины)		443 мм		
Номинальное напряжение		36 В пост. тока		
Стандартный блок аккумулятора		BL1815N, BL1820, BL1820B, BL1830, BL1830B, BL1840, BL1840B, BL1850, BL1850B, BL1860B		
Масса нетто (при использовании BL1815N)	с 90PX	4,6 кг	4,7 кг	4,8 кг
	с 91PX	4,7 кг	4,8 кг	4,9 кг
Стандартная длина направляющей шины		300 мм	350 мм	400 мм
Рекомендуемая длина направляющей шины		300 - 400 мм		
Применимый тип пильной цепи (см. таблицу ниже)		90PX 91PX		
Звездочка	Количество зубьев	6		
	Шаг	3/8"		
Скорость цепи		0 - 20 м/с (0 - 1 200 м/мин)		
Объем маслобака		200 см <sup>3</sup>		

### Пильная цепь и пильная шина

Тип пильной цепи		90PX		
Количество приводных звеньев		46	52	56
Пильная шина	Длина пильной шины	300 мм	350 мм	400 мм
	Длина распила	280 мм	330 мм	375 мм
	Шаг	3/8"		
	Измеритель	1,1 мм		
	Тип	Шина с концевой звездочкой		

Тип пильной цепи		91PX		
Количество приводных звеньев		46	52	56
Пильная шина	Длина пильной шины	300 мм	350 мм	400 мм
	Длина распила	280 мм	330 мм	375 мм
	Шаг	3/8"		
	Измеритель	1,3 мм		
	Тип	Шина с концевой звездочкой		

- Благодаря нашей постоянно действующей программе исследований и разработок указанные здесь технические характеристики могут быть изменены без предварительного уведомления.
- Технические характеристики и аккумуляторный блок могут отличаться в зависимости от страны.
- Масса (с аккумуляторным блоком) в соответствии с процедурой ЕРТА 01.2003

**⚠ ОСТОРОЖНО:** Используйте подходящее сочетание пильной шины и пильной цепи. Несоблюдение этой рекомендации может привести к травме.

### Символы

Ниже приведены символы, используемые для обозначения. Перед использованием убедитесь, что вы понимаете их значение.



Прочитайте руководство по эксплуатации.



Надевайте защитные очки.








Используйте средства защиты слуха.



Надевайте каску, защитные очки и используйте средства защиты слуха.



Используйте надежные средства защиты для ног и рук.

	Беречь от влаги.
	Максимально допустимая длина среза
	Направление движения цепи
	Регулировка подачи масла к пильной цепи
	Только для стран ЕС Не выбрасывайте электрооборудование или аккумуляторы вместе с бытовым мусором! В соответствии с европейскими директивами об утилизации электрического и электронного оборудования, о батареях и аккумуляторах, а также использованных батареях и аккумуляторах и их применении в соответствии с местными законами электрооборудование, батареи и аккумуляторы, срок эксплуатации которых истек, должны утилизироваться отдельно и передаваться для утилизации на предприятие, соответствующее применяемым правилам охраны окружающей среды.

## Назначение

Эта пила предназначена для распиливания древесины.

## Шум

Типичный уровень взвешенного звукового давления (A), измеренный в соответствии с EN60745:

### Модель DUC303

Уровень звукового давления ( $L_{pA}$ ): 87,7 дБ (A)  
Уровень звуковой мощности ( $L_{WA}$ ): 100,4 дБ (A)  
Погрешность (K): 2 дБ (A)

### Модель DUC353

Уровень звукового давления ( $L_{pA}$ ): 87,7 дБ (A)  
Уровень звуковой мощности ( $L_{WA}$ ): 100,4 дБ (A)  
Погрешность (K): 2 дБ (A)

**⚠ ОСТОРОЖНО:** Используйте средства защиты слуха.

## Вибрация

Суммарное значение вибрации (сумма векторов по трем осям), определенное в соответствии с EN60745:

### Модель DUC303

Рабочий режим: распиливание древесины  
Распространение вибрации ( $a_{h,w}$ ): 5,3 м/с<sup>2</sup>  
Погрешность (K): 1,5 м/с<sup>2</sup>

### Модель DUC353

Рабочий режим: распиливание древесины  
Распространение вибрации ( $a_{h,w}$ ): 5,3 м/с<sup>2</sup>  
Погрешность (K): 1,5 м/с<sup>2</sup>

**ПРИМЕЧАНИЕ:** Заявленное значение распространения вибрации измерено в соответствии со стандартной методикой испытаний и может быть использовано для сравнения инструментов.

**ПРИМЕЧАНИЕ:** Заявленное значение распространения вибрации можно также использовать для предварительных оценок воздействия.

**⚠ ОСТОРОЖНО:** Распространение вибрации во время фактического использования электроинструмента может отличаться от заявленного значения в зависимости от способа применения инструмента.

**⚠ ОСТОРОЖНО:** Обязательно определите меры безопасности для защиты оператора, основанные на оценке воздействия в реальных условиях использования (с учетом всех этапов рабочего цикла, таких как выключение инструмента, работа без нагрузки и включение).

## Декларация о соответствии ЕС

### Только для европейских стран

Декларация о соответствии ЕС включена в руководство по эксплуатации (Приложение А).

## МЕРЫ БЕЗОПАСНОСТИ

### Общие рекомендации по технике безопасности для электроинструментов

**⚠ ОСТОРОЖНО:** Ознакомьтесь со всеми представленными инструкциями по технике безопасности, указаниями, иллюстрациями и техническими характеристиками, прилагаемыми к данному электроинструменту. Несоблюдение каких-либо инструкций, указанных ниже, может привести к поражению электрическим током, пожару и/или серьезной травме.

### Сохраните брошюру с инструкциями и рекомендациями для дальнейшего использования.

Термин "электроинструмент" в предупреждениях относится ко всему инструменту, работающему от сети (с проводом) или на аккумуляторах (без провода).

### Правила техники безопасности при использовании цепной пилы с питанием от аккумуляторной батареи

1. **Не дотрагивайтесь до пильной цепи во время работы цепной пилы. Перед началом работы убедитесь в том, что пильная цепь ни к чему не прикасается.** Секундная невнимательность при работе с цепной пилой может привести к захлестыванию вашей одежды или частей тела пильной цепью.
2. **Всегда беритесь правой рукой за заднюю ручку цепной пилы, а левой – за переднюю.** Держать цепную пилу по-другому запрещено из-за повышения риска травмирования при работе с ней.

3. **Держите электроинструмент только за специально предназначенные изолированные поверхности, так как при выполнении работ существует риск контакта цепной пилы со скрытой электропроводкой.** Контакт с проводом под напряжением приведет к тому, что металлические детали цепной пилы также окажутся под напряжением, что приведет к поражению оператора электрическим током.
4. **Используйте защитные очки и средства защиты органов слуха.** Рекомендуется использовать дополнительные средства защиты головы, рук и ног. Надлежащая защитная одежда снижает риск получения травм от летящих частиц или при случайном прикосновении к пильной цепи.
5. **Не пользуйтесь цепной пилой на дереве.** Использование цепной пилы на дереве может привести к травме.
6. **Всегда твердо стойте на ногах; используйте пилу только стоя на неподвижной, надежной и ровной поверхности.** Скользящая или неустойчивая поверхность (например, лестница) может стать причиной потери равновесия или контроля над цепной пилой.
7. **Отрезая сук, находящийся под нагрузкой, помните о возможной отдаче.** Когда напряжение в волокнах дерева исчезнет, ветка может ударить оператора и/или выбить из рук цепную пилу.
8. **Соблюдайте особую осторожность при резании кустарника и молодых деревьев.** Пильная цепь может застрять в гибком материале, в результате чего вас может хлестнуть веткой, или вы можете потерять равновесие в результате рывка.
9. **Переносите цепную пилу только за переднюю ручку, в выключенном состоянии, не поднося к телу. На время транспортировки или хранения цепной пилы обязательно надевайте крышку пильной шины.** Правильное обращение с цепной пилой снижает риск случайного прикосновения к движущейся пильной цепи.
10. **Следуйте инструкциям по смазке, натяжению цепи и замене принадлежностей.** Из-за неправильного натяжения или смазки цепи увеличивается риск поломки или отдачи.
11. **Ручки инструмента всегда должны быть сухими и чистыми и не должны быть испачканы маслом или смазкой.** Замасленные ручки становятся скользкими, это может привести к потере контроля над инструментом.
12. **Разрешается использовать только для резки дерева.** Используйте цепную пилу только по назначению. Например: не используйте цепную пилу для резки пластика, кирпича или строительных материалов, изготовленных не из дерева. Использование цепной пилы не по назначению может привести к опасным ситуациям.
13. **Причины отдачи и меры их предотвращения оператором:**  
Отдача возможна в случае, если передняя часть или кончик пильной шины коснется предмета, или если дерево зажмет пильную цепь в разрезе. В некоторых случаях касание кончиком пилы может внезапно отбросить пильную шину вверх и назад, в сторону оператора.

Заземление пильной цепи у верхней части пильной шины может отбросить шину назад, к оператору. Любая из этих реакций может стать причиной потери контроля над пилой и привести к тяжелым травмам. Не полагайтесь только на предохранительные устройства пилы. Как оператор цепной пилы, вы должны принять меры для обеспечения безопасной работы. Отдача — это результат неправильного использования пилы и/или неправильных процедур или условий эксплуатации. Ее можно избежать, соблюдая указанные ниже меры предосторожности:

- Крепко удерживайте инструмент, обхватив рукоятки пилы двумя руками; положение тела и рук следует выбрать таким образом, чтобы быть готовым к отдаче. Если приняты соответствующие меры предосторожности, оператор способен справиться с силой отдачи. Не выпускайте цепную пилу из рук.

#### ► Рис.1

- Не старайтесь дотянуться до объектов за пределами досягаемости и не пилите на высоте выше уровня плеч. Это поможет предотвратить непреднамеренный контакт кончика пилы и лучше управлять цепной пилой в непредвиденных ситуациях.
  - Используйте сменные шины и цепи только рекомендованного производителем типа. Использование других сменных шин и цепей может привести к разрыву цепи и/или отдаче.
  - Следуйте инструкциям производителя по заточке и обслуживанию цепной пилы. Уменьшение высоты глубиномера может привести к увеличению силы отдачи.
14. **Перед началом работы убедитесь, что цепная пила находится в нормальном рабочем состоянии и соответствует нормативным требованиям техники безопасности. В частности, убедитесь, что:**
    - тормоз цепи работает нормально;
    - тормоз для нерабочего состояния работает нормально;
    - шина и крышка звездочки установлены правильно;
    - цепь наточена и натянута в соответствии с требованиями.
  15. **Не включайте цепную пилу, если на ней установлена крышка цепи.** В противном случае крышка цепи может оторваться и быть отброшена вперед, причинив травмы или повреждения окружающих предметов.

## СОХРАНИТЕ ДАННЫЕ ИНСТРУКЦИИ.

**▲ ОСТОРОЖНО: НЕ ДОПУСКАЙТЕ, чтобы удобство или опыт эксплуатации данного устройства (полученный от многократного использования) доминировали над строгим соблюдением правил техники безопасности при обращении с этим устройством. НЕПРАВИЛЬНОЕ ИСПОЛЬЗОВАНИЕ инструмента или несоблюдение правил техники безопасности, указанных в данном руководстве, может привести к тяжелой травме.**

## Важные правила техники безопасности для работы с аккумуляторным блоком

1. Перед использованием аккумуляторного блока прочитайте все инструкции и предупредительные надписи на (1) зарядном устройстве, (2) аккумуляторном блоке и (3) инструменте, работающем от аккумуляторного блока.
  2. Не разбирайте аккумуляторный блок.
  3. Если время работы аккумуляторного блока значительно сократилось, немедленно прекратите работу. В противном случае, может возникнуть перегрев блока, что приведет к ожогам и даже к взрыву.
  4. В случае попадания электролита в глаза промойте их обильным количеством чистой воды и немедленно обратитесь к врачу. Это может привести к потере зрения.
  5. Не замыкайте контакты аккумуляторного блока между собой:
    - (1) Не прикасайтесь к контактам какими-либо токопроводящими предметами.
    - (2) Не храните аккумуляторный блок в контейнере вместе с другими металлическими предметами, такими как гвозди, монеты и т. п.
    - (3) Не допускайте попадания на аккумуляторный блок воды или дождя.
 Замыкание контактов аккумуляторного блока между собой может привести к возникновению большого тока, перегреву, возможному ожогу и даже поломке блока.
  6. Не храните инструмент и аккумуляторный блок в местах, где температура может достигать или превышать 50 °C (122 °F).
  7. Не бросайте аккумуляторный блок в огонь, даже если он сильно поврежден или полностью вышел из строя. Аккумуляторный блок может взорваться под действием огня.
  8. Не роняйте и не ударяйте аккумуляторный блок.
  9. Не используйте поврежденный аккумуляторный блок.
  10. Входящие в комплект литий-ионные аккумуляторы должны эксплуатироваться в соответствии с требованиями законодательства об опасных товарах.
- Рис.2

При коммерческой транспортировке, например, третьей стороной или экспедитором, необходимо нанести на упаковку специальные предупреждения и маркировку.

В процессе подготовки устройства к отправке обязательно проконсультируйтесь со специалистом по опасным материалам. Также соблюдайте местные требования и нормы. Они могут быть строже.

Закройте или закрепите разомкнутые контакты и упакуйте аккумулятор так, чтобы он не перемещался по упаковке.

11. Выполняйте требования местного законодательства относительно утилизации аккумуляторного блока.

## СОХРАНИТЕ ДАННЫЕ ИНСТРУКЦИИ.

**▲ВНИМАНИЕ:** Используйте только фирменные аккумуляторные батареи Makita. Использование аккумуляторных батарей, не произведенных Makita, или батарей, которые были подвергнуты модификациям, может привести к взрыву аккумулятора, пожару, травмам и повреждению имущества. Это также автоматически аннулирует гарантию Makita на инструмент и зарядное устройство Makita.

## Советы по обеспечению максимального срока службы аккумулятора

1. Заряжайте блок аккумуляторов перед его полной разрядкой. Обязательно прекратите работу с инструментом и зарядите блок аккумуляторов, если вы заметили снижение мощности инструмента.
2. Никогда не подзаряжайте полностью заряженный блок аккумуляторов. Перезарядка сокращает срок службы аккумулятора.
3. Заряжайте блок аккумуляторов при комнатной температуре в 10 - 40 °C (50 - 104 °F). Перед зарядкой горячего блока аккумуляторов дайте ему остыть.
4. Зарядите ионно-литиевый аккумуляторный блок, если вы не будете пользоваться инструментом длительное время (более шести месяцев).

## ОПИСАНИЕ ДЕТАЛЕЙ

1	Блок аккумулятора	2	Передняя защита руки	3	Пильная шина
4	Пильная цепь	5	Рычаг	6	Регулировочный диск
7	Кнопка проверки	8	Индикатор емкости	9	Основной индикатор питания
10	Основной переключатель питания	11	Рычаг разблокировки	12	Задняя ручка
13	Триггерный переключатель	14	Передняя ручка	15	Крышка маслобака
16	Уловитель цепи	17	Винт регулировки масляного насоса	18	Крышка пильной шины



# ОПИСАНИЕ РАБОТЫ

**▲ВНИМАНИЕ:** Перед регулировкой или проверкой функций инструмента обязательно убедитесь, что он выключен и его аккумуляторный блок снят.

## Установка или снятие блока аккумулятора

**▲ВНИМАНИЕ:** Обязательно выключайте инструмент перед установкой и извлечением аккумуляторного блока.

**▲ВНИМАНИЕ:** При установке и извлечении аккумуляторного блока крепко удерживайте инструмент и аккумуляторный блок. Если не соблюдать это требование, они могут выскользнуть из рук, что приведет к повреждению инструмента, аккумуляторного блока и травмированию оператора.

► **Рис.3:** 1. Красный индикатор 2. Кнопка 3. Блок аккумулятора

Для снятия аккумуляторного блока нажмите кнопку на лицевой стороне и извлеките блок.

Для установки аккумуляторного блока совместите выступ аккумуляторного блока с пазом в корпусе и задвиньте его на место. Устанавливайте блок до упора так, чтобы он зафиксировался на месте с небольшим щелчком. Если вы можете видеть красный индикатор на верхней части клавиши, адаптер аккумулятора не полностью установлен на месте.

**▲ВНИМАНИЕ:** Обязательно устанавливайте аккумуляторный блок до конца, чтобы красный индикатор не был виден. В противном случае аккумуляторный блок может выпасть из инструмента и нанести травму вам или другим людям.

**▲ВНИМАНИЕ:** Не прилагайте чрезмерных усилий при установке аккумуляторного блока. Если блок не двигается свободно, значит он вставлен неправильно.

**ПРИМЕЧАНИЕ:** Инструмент не будет работать с одним блоком аккумулятора.

**ПРИМЕЧАНИЕ:** Соблюдайте осторожность при установке аккумулятора. Кнопка может быть нажата непреднамеренно.

## Система защиты инструмента/аккумулятора




На инструменте предусмотрена система защиты инструмента/аккумулятора. Она автоматически отключает питание двигателя для продления срока службы инструмента и аккумулятора. Инструмент автоматически остановится во время работы при возникновении указанных ниже ситуаций. В некоторых ситуациях загораются индикаторы.

## Защита от перегрузки

Если из-за способа эксплуатации инструмент потребляет очень большое количество тока, он автоматически выключится, а основной индикатор питания начнет мигать. В этом случае выключите инструмент и прекратите работу, повлекшую перегрузку инструмента. Затем включите инструмент для перезапуска.

## Защита от перегрева

При перегреве инструмент автоматически останавливается, а индикатор емкости начинает мигать, как показано на рисунке. В таком случае дайте инструменту остыть перед повторным включением.







Состояние индикатора емкости			Состояние
 Вкл.	 Выкл.	 Мигает	
			Перегрев.

## Защита от переразрядки

При истощении заряда аккумулятора инструмент автоматически останавливается. Если устройство не работает даже после нажатия переключателей, снимите аккумуляторы с инструмента и зарядите их.

## Индикация оставшегося заряда аккумулятора

► **Рис.4:** 1. Кнопка проверки 2. Индикатор емкости  
Оставшаяся емкость аккумулятора отображается при нажатии на кнопку проверки. Индикаторы емкости соответствуют каждому аккумулятору.

Состояние индикатора емкости			Уровень заряда аккумулятора
 Вкл.	 Выкл.	 Мигает	
			от 50% до 100%
			от 20% до 50%
			от 0% до 20%
			Зарядите аккумулятор

## Индикация оставшегося заряда аккумулятора

*Только для блоков аккумулятора с индикатором*

► **Рис.5:** 1. Индикаторы 2. Кнопка проверки

Нажмите кнопку проверки на аккумуляторном блоке для проверки заряда. Индикаторы загорятся на несколько секунд.

Индикаторы			Уровень заряда
Горит	Выкл.	Мигает	
			от 75 до 100%
			от 50 до 75%
			от 25 до 50%
			от 0 до 25%
			Зарядите аккумуляторную батарею.
			Возможно, аккумуляторная батарея неисправна.

**ПРИМЕЧАНИЕ:** В зависимости от условий эксплуатации и температуры окружающего воздуха индикация может незначительно отличаться от фактического значения.

## Основной переключатель питания

**⚠ОСТОРОЖНО:** Держите основной переключатель питания выключенным, когда он не используется.

Чтобы перевести цепную пилу в режим ожидания, нажимайте на главный переключатель питания до тех пор, пока не загорится основной индикатор питания. Для выключения нажмите на основной переключатель питания еще раз.

► **Рис.6:** 1. Основной переключатель питания

**ПРИМЕЧАНИЕ:** Если основной индикатор питания мигает, это означает, что триггерный переключатель нажат, но эксплуатация невозможна. Лампа мигает, если вы

- включили основной переключатель питания при нажатом рычаге разблокировки или триггерном переключателе;
- потянули за триггерный переключатель, когда тормоз цепи активирован;
- отпустили тормоз цепи, удерживая рычаг разблокировки и триггерный переключатель нажатыми.

**ПРИМЕЧАНИЕ:** Эта цепная пила обладает функцией автоматического отключения. Для предотвращения случайного запуска основной переключатель питания автоматически отключается, если вы не нажимаете на триггерный переключатель в течение определенного периода времени после включения основного переключателя питания.

## Действие выключателя

**⚠ОСТОРОЖНО:** В целях безопасности инструмент оснащен рычагом разблокировки, который предотвращает случайное включение инструмента. **ЗАПРЕЩАЕТСЯ** использовать инструмент после нажатия триггерного переключателя без включения рычага разблокировки. Верните инструмент в авторизованный сервисный центр для надлежащего ремонта **ДО** продолжения его эксплуатации.

**⚠ОСТОРОЖНО:** **ЗАПРЕЩЕНО** фиксировать рычаг разблокировки при помощи липкой ленты и вносить изменения в его конструкцию.

**⚠ВНИМАНИЕ:** Перед установкой аккумуляторного блока в инструмент обязательно убедитесь, что его триггерный переключатель нормально работает и возвращается в положение "OFF" (ВЫКЛ) при отпуске.

**ПРИМЕЧАНИЕ:** Не давите сильно на триггерный переключатель, не нажав на рычаг разблокировки. Это может привести к поломке переключателя.

Для предотвращения случайного нажатия триггерного переключателя инструмент оборудован рычагом блокировки. Для запуска инструмента отпустите рычаг блокировки, затем потяните триггерный переключатель. Отпустите триггерный переключатель для остановки.

► **Рис.7:** 1. Триггерный переключатель 2. Рычаг разблокировки

## Проверка тормоза цепи

**⚠ВНИМАНИЕ:** При включении держите цепную пилу двумя руками. Правой рукой возьмитесь за заднюю ручку, а левой – за переднюю. Шина и цепь не должны находиться в контакте с каким-либо предметом.

**⚠ВНИМАНИЕ:** Если при выполнении этой проверки пильная цепь не остановилась сразу же, эксплуатация пилы запрещена. Обратитесь в авторизованный сервисный центр.

1. Нажмите на рычаг разблокировки, затем потяните триггерный переключатель. Пильная цепь запустится незамедлительно.
2. Тыльной стороной руки переместите защиту руки вперед. Цепная пила должна сразу же остановиться.

► **Рис.8:** 1. Передняя защита руки 2. Положение разблокировки 3. Положение блокировки

## Проверка тормоза для остановки цепи, когда пила выключена

**⚠ВНИМАНИЕ:** Если во время проведения этой проверки пильная цепь не останавливается в течение одной секунды, прекратите эксплуатацию данной цепной пилы и обратитесь в авторизованный сервисный центр.

Включите цепную пилу, затем полностью отпустите триггерный переключатель. Пильная цепь должна остановиться в течение приблизительно одной секунды.

## Регулировка смазки цепи

Скорость подачи масла насосом можно корректировать с помощью регулировочного винта. Количество подаваемого масла можно регулировать с помощью универсального гаечного ключа.

► **Рис.9:** 1. Регулировочный винт

## СБОРКА

**⚠ВНИМАНИЕ:** Перед проведением каких-либо работ с инструментом обязательно убедитесь, что инструмент отключен, а блок аккумулятора снят.

**⚠ВНИМАНИЕ:** Не прикасайтесь к пильной цепи голыми руками. При работе с пильной цепью обязательно надевайте защитные перчатки.

## Снятие или установка пильной цепи

**⚠ВНИМАНИЕ:** После окончания эксплуатации пильная цепь и пильная шина остаются горячими. Дождитесь, пока они остынут, прежде чем выполнять какие-либо работы с инструментом.

Чтобы снять пильную цепь, выполните следующие действия:

1. Потяните рычаг вверх и одновременно с этим надавите на его край.

► **Рис.10:** 1. Рычаг

2. Поверните регулировочный диск в направлении «-» для ослабления пильной цепи.

► **Рис.11:** 1. Регулировочный диск

3. Поворачивайте рычаг против часовой стрелки до тех пор, пока не будет возможно снять звездочку.

► **Рис.12:** 1. Рычаг 2. Крышка звездочки

4. Снимите крышку звездочки, а затем отсоедините пильную цепь и пильную шину от корпуса цепной пилы.

Чтобы установить пильную цепь, выполните следующие действия:

1. Проверьте направление вращения цепи. Направление вращения цепи указано стрелкой на цепи.

2. Наденьте один конец пильной цепи на верхнюю часть пильной шины, а другой конец — на звездочку.

► **Рис.13:** 1. Звездочка

3. Оставьте пильную шину на месте пильной цепи.

4. Поверните регулировочный диск в направлении «-» для перемещения регулирующего штифта в направлении, показанном стрелкой.

► **Рис.14:** 1. Регулировочный штифт

5. Установите крышку звездочки на цепную пилу так, чтобы регулировочный штифт располагался в небольшом отверстии пильной шины.

► **Рис.15:** 1. Крышка звездочки 2. Пильная шина 3. Отверстие

6. Поверните рычаг до упора по часовой стрелке, а затем на четверть оборота назад для сохранения уровня ослабления для регулировки натяжения цепи.

7. Поверните регулировочный диск для регулировки натяжения цепи.

8. Поворачивайте рычаг по часовой стрелке, пока крышка звездочки не будет надежно закреплена, а затем верните его в первоначальное положение.

► **Рис.16:** 1. Рычаг 2. Крышка звездочки

## Регулирование натяжения пильной цепи

**⚠ВНИМАНИЕ:** Процедуру установки и снятия пильной цепи необходимо осуществлять в чистом месте, где нет опилок или других инородных предметов.

**⚠ВНИМАНИЕ:** Не перетягивайте пильную цепь. Слишком сильное натяжение пильной цепи может привести к ее разрыву, износу направляющей шины и поломке ручки регулировки.

**⚠ВНИМАНИЕ:** Слишком слабо натянутая цепь может соскочить с шины, что создаст риск получения травмы.

После многочасового использования пильная цепь может ослабнуть. Перед использованием периодически проверяйте натяжение пильной цепи.

1. Нажмите и полностью откройте рычаг до упора. Немного поверните его против часовой стрелки, чтобы слегка ослабить крышку звездочки.

► **Рис.17:** 1. Рычаг 2. Крышка звездочки

2. Слегка поднимите наконечник пильной шины и отрегулируйте натяжение цепи. Чтобы ослабить регулировочное кольцо, поверните его в сторону «-», чтобы затянуть — в сторону «+». Натягивайте пильную цепь до тех пор, пока нижняя сторона пильной цепи не войдет в паз направляющей шины, как показано на рисунке.

► **Рис.18:** 1. Регулировочный диск 2. Пильная шина 3. Пильная цепь

3. Затяните крышку звездочки, придерживая при этом пильную шину. Убедитесь, что пильная цепь не провисает с нижней стороны.

4. Верните рычаг в первоначальное положение.

► Рис.19: 1. Рычаг 2. Крышка звездочки

Убедитесь, что пильная цепь плотно посажена с нижней стороны шины.

## ЭКСПЛУАТАЦИЯ

### Смазка

Смазка пильной цепи осуществляется автоматически во время работы. Время от времени проверяйте, сколько масла осталось в баке.

Чтобы долить масло в бак, положите цепную пилу на бок и снимите крышку маслобака. Необходимое количество масла — 200 мл. После долива масла проверьте надежность затяжки крышки маслобака.

► Рис.20: 1. Крышка маслобака 2. Маслобак (просвечивающий)

После долива удерживайте пилу на расстоянии от дерева. Включите пилу и подождите, пока пильная цепь не будет смазана должным образом.

► Рис.21

**ПРИМЕЧАНИЕ:** При первой заливке масла или при его добавлении после полного опорожнения емкости заливайте масло до нижнего края заливной горловины. В противном случае, подача масла может быть нарушена.

**ПРИМЕЧАНИЕ:** Смазывайте пильные цепи только специальным маслом для цепных пил Makita или аналогичным ему.

**ПРИМЕЧАНИЕ:** Запрещается использовать загрязненное пылью и прочими частицами масло или летучую смазку.

**ПРИМЕЧАНИЕ:** При обрезке деревьев используйте масло растительного происхождения. При использовании минерального масла существует вероятность повреждения деревьев.

**ПРИМЕЧАНИЕ:** Прежде чем приступить к резке, убедитесь, что крышка масляного бака завинчена.

## ЭКСПЛУАТАЦИЯ ЦЕПНОЙ ПИЛЫ

**ВНИМАНИЕ:** Если вы пользуетесь пилой впервые, рекомендуется пилить бревна на козлах или опорной раме.

**ВНИМАНИЕ:** При распиловке подготовленных бревен используйте надежную опору (козлы или опорную раму). Не придерживайте разрезаемую заготовку ногой и не позволяйте делать это другим.

**ВНИМАНИЕ:** Круглые детали фиксируйте в направлении, противоположном направлению вращения.

**ВНИМАНИЕ:** Не приближайте пильную цепь к каким-либо частям тела, если электродвигатель работает.

**ВНИМАНИЕ:** При работающем электродвигателе крепко держите цепную пилу двумя руками.

**ВНИМАНИЕ:** При эксплуатации устройства не тяните и всегда сохраняйте устойчивое положение и равновесие.

**ПРИМЕЧАНИЕ:** Не кидайте и не роняйте инструмент.

**ПРИМЕЧАНИЕ:** Не закрывайте вентиляционные отверстия инструмента.

Перед включением цепной пилы поднесите корпус инструмента к ветке, которую вы собираетесь распилить, так, чтобы пила и ветка соприкасались. В противном случае направляющая шина начнет дрожать и ранит оператора. При распиливании опускайте дерево вниз, используя вес цепной пилы.

► Рис.22

Если ветку нельзя распилить за один заход: Слегка надавливая на ручку и продолжая пилить, немного подайте пилу назад, затем установите зубчатый бампер немного ниже и завершите распил, подняв ручку.

► Рис.23

### Раскряжевка

1. Используйте дерево, которое собираетесь распилить, в качестве опоры для корпуса цепной пилы.

► Рис.24

2. При работающей пильной цепи сделайте запил, используя заднюю ручку для подъема пилы и переднюю рукоятку для ее направления. Используйте зубчатый бампер как точку поворота.

3. Продолжите пиление, прилагая небольшое усилие к передней ручке и немного ослабляя заднюю часть пилы. Переместите зубчатый бампер в бревно дальше вниз и снова поднимите переднюю ручку.

**ПРИМЕЧАНИЕ:** При выполнении нескольких распилов выключайте пилу между выполнением распилов.

**▲ВНИМАНИЕ:** Если для распиливания используется верхний край шины, цепная пила может выгнуться в вашем направлении, если цепь пилы заклинит. Во избежание этого выполняйте пиление нижним краем шины, чтобы пила изгибалась в сторону от вашего тела.

► Рис.25

При распиливании древесины под давлением начинать распиливание необходимо со стороны воздействия давления (А). Окончательный распил выполняется со стороны возникновения растяжения (В). Такой способ пиления позволит избежать зажима шины.

► Рис.26

## Обрезка сучьев

**▲ВНИМАНИЕ:** Обрезка сучьев должна выполняться только опытными рабочими. При обрезке сучьев существует риск возникновения отдачи.

При обрезке сучьев при возможности используйте ствол в качестве опоры. Не пилите концом шины, так как это приведет к возникновению риска отдачи. Особое внимание обращайте на ветки, находящиеся в напряженном состоянии. Не пилите снизу ветки, не имеющие опоры. Во время раскрывки не стойте на поваленном бревне.

## Врезка и пиление параллельно волокнам

**▲ВНИМАНИЕ:** Врезка и пиление параллельно волокнам могут выполняться только лицами, прошедшими специальное обучение. Возможность возникновения отдачи может привести к травме.

Пиление параллельно волокнам должно выполняться под минимальным углом. Соблюдайте максимальную осторожность при пилении из-за невозможности использования зубчатого бампера.

► Рис.27

## Валка леса

**▲ВНИМАНИЕ:** Валка леса должна выполняться только опытными рабочими. Эта работа очень опасна.

Если вы хотите спилить дерево, соблюдайте местные нормативы.

► Рис.28: 1. Площадь вырубki

- Перед началом работ по валке леса убедитесь, что:
  - В непосредственной близости от места работ находится только персонал, связанный с работами по валке;

- Все лица, связанные с выполнением валки, имеют свободный путь отхода в пределах угла в 45° в каждую сторону от оси падения дерева. Рассмотрите вероятность возникновения дополнительного риска от падения дерева на электрические провода;
- Комель дерева в месте его пиления не имеет инородных предметов, корней и веток;
- В том направлении, куда будет падать дерево, люди или предметы находятся на расстоянии, в 2 1/2 раза превышающем высоту спиливаемого дерева.

- При спиливании каждого дерева следует также учитывать следующие факторы:
  - направление наклона;
  - наличие оторванных или сухих ветвей;
  - высота дерева;
  - естественный свес;
  - является ли дерево гнилым или нет.
- Учитывайте скорость и направление ветра. Не спиливайте деревья при сильных порывах ветра.
- Обрезка корневых наплывов: Начинать с самых больших наплывов. Сначала сделайте вертикальный запил и затем горизонтальный.
- Стойте сбоку от падающего дерева. Обеспечьте наличие свободного участка сзади падающего дерева в пределах угла в 45° в каждую сторону от оси падения дерева (см. рисунок "Площадь вырубki"). Обращайте внимание на падающие ветви.
- До начала работ необходимо предусмотреть и расчистить (при необходимости) маршрут аварийного покидания территории. Он должен проходить назад и по диагонали от предполагаемой линии валки, как показано на рисунке.

► Рис.29: 1. Направление валки деревьев  
2. Опасная зона  
3. Маршрут эвакуации

При валке леса необходимо соблюдать следующие инструкции:

1. Делайте запил как можно ближе к поверхности земли. Сначала сделайте горизонтальный запил на глубину 1/5-1/3 диаметра бревна. Не делайте его слишком широким. Затем сделайте диагональный запил.

► Рис.30

**ПРИМЕЧАНИЕ:** Запил определяет направление падения дерева и помогает этому. Он делается с той стороны, куда будет падать дерево.

2. Сделайте задний рез немного выше основания запила. Задний рез должен быть точно горизонтальным. Оставьте около 1/10 диаметра дерева между задним резом и запилом. Волокна древесины в нераспиленной части дерева будут действовать как шарнир. Своевременно вставьте клинья в задний рез.

► Рис.31

**⚠ОСТОРОЖНО:** Ни при каких обстоятельствах не пропиливайте волокна до конца. Несоблюдение этой рекомендации приведет к тому, что дерево упадет, а направление его падения будет невозможно предугадать.

**ПРИМЕЧАНИЕ:** Для сохранения зазора заднего реза следует использовать только пластиковые или алюминиевые клинья. Использование железных клиньев запрещено.

## Переноска инструмента

Перед переноской инструмента необходимо включить тормоз цепи и извлечь блоки аккумулятора. После этого требуется надеть крышку пильной шины. Также уложите блок аккумулятора в чехол.

► **Рис.32:** 1. Крышка пильной шины 2. Крышка аккумуляторной батареи

## ОБСЛУЖИВАНИЕ

**⚠ВНИМАНИЕ:** Перед проведением проверки или работ по техобслуживанию всегда проверяйте, что инструмент выключен, а блок аккумулятора снят.

**⚠ВНИМАНИЕ:** При выполнении осмотра или обслуживания всегда надевайте перчатки.

**ПРИМЕЧАНИЕ:** Запрещается использовать бензин, растворители, спирт и другие подобные жидкости. Это может привести к обесцвечиванию, деформации и трещинам.

## Заточка пильной цепи

Выполните заточку пильной цепи, если:

- При пилении влажной древесины образуются рыхлые опилки;
- Цепь с трудом входит в древесину даже при приложении значительного усилия на пилу;
- Края распилы имеют явные повреждения;
- Пилу при пилении тянет влево или вправо. (из-за неравномерной заточки пильной цепи или повреждения только с одной стороны)

Выполняйте заточку пильной цепи достаточно часто, но понемногу. Для заточки пилы при проведении повседневного ухода обычно достаточно двух или трех проходов напильником. После нескольких заточек заточите пильную цепь в авторизованном сервисном центре.

**Требования к заточке:**

**⚠ОСТОРОЖНО:** Слишком большое расстояние между режущей кромкой и глубиномером повышает риск отбрасывания инструмента из-за отдачи.

► **Рис.33:** 1. Длина режущего элемента  
2. Расстояние между режущей кромкой и глубиномером  
3. Минимальная длина зубьев (3 мм)

- Длина всех зубьев должна быть одинаковой. Зубья разной длины будут затруднять плавное движение пильной цепи и могут привести к ее разрыву.
- Если длина зубьев пильной цепи 3 мм или меньше, заточивать цепь запрещается. Вместо этого ее необходимо заменить.
- Толщина опилок определяется расстоянием между глубиномером (круглый выступ) и краем режущей кромки.
- Наилучшие результаты достигаются при соблюдении следующего расстояния между режущей кромкой и глубиномером.
  - Цепное лезвие 90PX : 0,65 мм (0,025дюйма)
  - Цепное лезвие 91PX : 0,65 мм (0,025дюйма)

► **Рис.34**

- Угол заточки в 30° должен соблюдаться на всех зубьях. Разница в углах заточки может привести к резкому и неравномерному движению цепи, ускоренному износу и к разрыву цепи.
- Необходимо использовать подходящий круглый напильник, чтобы угол заточки был направлен от зубьев.
  - Цепное лезвие 90PX : 55°
  - Цепное лезвие 91PX : 55°

**Напильник и заточка напильником**

- Для заточки цепей пилы используйте специальный круглый напильник (дополнительная принадлежность). Обычные круглые напильники не подходят для заточки цепей.
- Диаметр круглого напильника для каждой пильной цепи:
  - Цепное лезвие 90PX : 4,5 мм (3/16дюйма)
  - Цепное лезвие 91PX : 4,0 мм (5/32дюйма)
- Напильник должен стачивать зуб только при движении вперед. При перемещении напильника назад приподнимайте его над зубьями.
- Сначала наточите самый короткий зуб. Длина этого зуба будет служить ориентиром для остальных зубьев пильной цепи.
- Направляйте напильник, как показано на рисунке.

► **Рис.35:** 1. Напильник 2. Пильная цепь

- При использовании держателя напильника (дополнительная принадлежность) направлять напильник будет значительно легче. Держатель напильника имеет метки для правильного угла заточки в 30° (совместите метки параллельно с пильной цепью) и ограничивает глубину проникновения (до 4/5 диаметра напильника).

► **Рис.36:** 1. Держатель напильника

- После заточки цепи проверьте высоту глубиномера, используя для этого измерительный инструмент для цепи (дополнительная принадлежность).

► **Рис.37**

- Удалите любые, даже небольшие, выступы материала при помощи специального плоского напильника (дополнительная принадлежность).
- Закруглите еще раз переднюю часть глубиномера.

## Очистка пильной шины

В пазах пильной шины накапливаются щепки и опилки. Это может привести к засорению паза и ухудшить ток масла. Поэтому при заточке или замене пильной цепи необходимо выполнять очистку от щепок и опилок.

► Рис.38

## Очистка крышки звездочки

Во внутренней части крышки звездочки накапливаются щепки и опилки. Поэтому необходимо снимать крышку звездочки и отсоединять пильную цепь от инструмента, а затем выполнять очистку от щепок и опилок.

► Рис.39

## Очистка отверстия для подачи масла

Во время работы мелкая пыль или частицы могут скапливаться в отверстии для подачи масла. Они могут негативно повлиять на подачу масла и привести к недостаточной смазке всей пильной цепи. В случае ухудшения подачи масла к цепи в верхней части пильной шины очистите отверстие для подачи масла следующим образом.

1. Снимите крышку звездочки и пильную цепь с инструмента.
2. Удалите мелкую пыль или частицы с помощью плоской отвертки с тонким стержнем или аналогичного инструмента.

► Рис.40: 1. Шлицевая отвертка 2. Отверстие нагнетания масла

3. Вставьте блок аккумулятора в инструмент. Нажмите на триггерный переключатель для вымывания пыли и мелких частиц через отверстие подачи масла.
4. Выньте блок аккумулятора из инструмента. Установите крышку звездочки и пильную цепь обратно на инструмент.

## Замена звездочки

**⚠ВНИМАНИЕ:** Изношенная звездочка приведет к повреждению новой пильной цепи. Во избежание этого замените звездочку.

Перед установкой новой пильной цепи проверьте состояние звездочки.

► Рис.41: 1. Звездочка 2. Подвергающиеся износу участки

При замене звездочки всегда устанавливайте новое блокирующее кольцо.

► Рис.42: 1. Блокирующее кольцо 2. Звездочка

**ПРИМЕЧАНИЕ:** Убедитесь, что звездочка была установлена, как показано на рисунке.

## Хранение инструмента

1. Перед хранением почистите пилу. Сняв крышку звездочки, удалите щепки и опилки.
2. После очистки инструмента включите его на холостом ходу, чтобы смазать пильную цепь и пильную шину.
3. Закройте пильную шину крышкой.
4. Опорожните масляный бак.

## Указания по периодическому обслуживанию

Чтобы обеспечить продолжительный срок эксплуатации, предотвратить повреждения и обеспечить правильную работу защитных устройств, необходимо регулярно проводить обслуживание. Гарантийные претензии принимаются только при условии надлежащего и регулярного выполнения этих работ. Невыполнение обязательного обслуживания может стать причиной происшествий! Пользователь цепной пилы не должен проводить обслуживание, не описанное в настоящем руководстве. Все подобные работы должны выполняться только в авторизованном сервисном центре.

Элемент, подлежащий проверке / Время эксплуатации		Перед началом работы	Ежедневно	Еженедельно	Каждые 3 месяца	Ежегодно	Перед хранением
Цепная пила	Осмотр.	✓	-	-	-	-	-
	Очистка.	-	✓	-	-	-	-
	Проверьте в авторизованном сервисном центре.	-	-	-	-	✓	✓
Пильная цепь	Осмотр.	✓	-	-	-	-	-
	При необходимости заточите.	-	-	-	-	-	✓
Пильная шина	Осмотр.	✓	✓	-	-	-	-
	Снимите с цепной пилы.	-	-	-	-	-	✓
Тормоз цепи	Проверьте работу.	✓	-	-	-	-	-
	Регулярно передавать для осмотра в авторизованный сервисный центр.	-	-	-	✓	-	-
Смазка цепи	Проверьте скорость подачи масла.	✓	-	-	-	-	-
Триггерный переключатель	Осмотр.	✓	-	-	-	-	-
Рычаг разблокировки	Осмотр.	✓	-	-	-	-	-
Крышка маслобака	Проверьте герметичность.	✓	-	-	-	-	-
Уловитель цепи	Осмотр.	-	-	✓	-	-	-
Винты и гайки	Осмотр.	-	-	✓	-	-	-

Для обеспечения БЕЗОПАСНОСТИ и НАДЕЖНОСТИ оборудования ремонт, любое другое техобслуживание или регулировку необходимо производить в уполномоченных сервис-центрах Makita или сервис-центрах предприятия с использованием только сменных частей производства Makita.



# ПОИСК И УСТРАНЕНИЕ НЕИСПРАВНОСТЕЙ

Прежде чем обращаться по поводу ремонта, проведите осмотр самостоятельно. Если обнаружена неисправность, не указанная в руководстве, не пытайтесь разобрать инструмент. Обратитесь в один из авторизованных сервисных центров Makita, в которых для ремонта всегда используются оригинальные детали Makita.

Неисправность	Причина	Действие
Цепная пила не включается.	Не установлены два блока аккумулятора.	Установите два заряженных блока аккумулятора.
	Неисправен аккумулятор (низкое напряжение).	Повторно зарядите блоки аккумулятора. Если перезарядка не помогает, замените блок аккумулятора.
	Основной переключатель питания выключен.	Цепная пила автоматически отключается при бездействии в течение определенного времени. Снова включите основной переключатель питания.
Пильная цепь не работает.	Включен тормоз цепи.	Отпустите тормоз цепи.
После непродолжительного использования двигатель останавливается.	Низкий уровень заряда аккумулятора.	Повторно зарядите блоки аккумулятора. Если перезарядка не помогает, замените блок аккумулятора.
Нет масла на цепи.	Масляный бак пуст.	Заполните масляный бак.
	Загрязнен направляющий желоб для масла.	Очистите желоб.
	Недостаточная подача масла.	Отрегулируйте подачу масла с помощью винта регулировки.
Цепная пила не достигает максимального числа оборотов в минуту.	Неправильно установлен блок аккумулятора.	Вставьте блок аккумулятора, как описано в этом руководстве.
	Заряд аккумулятора падает.	Повторно зарядите блоки аккумулятора. Если перезарядка не помогает, замените блок аккумулятора.
	Привод работает неправильно.	Обратитесь в авторизованный сервисный центр в вашем регионе для выполнения ремонта.
Мигает основной индикатор питания.	Триггерный переключатель активирован в условиях, когда эксплуатация невозможна.	Включите основной переключатель питания и отпустите тормоз цепи. После этого потяните триггерный переключатель.
Цепь не останавливается даже после включения тормоза цепи: <b>Немедленно выключите оборудование!</b>	Тормозная лента износилась.	Обратитесь в авторизованный сервисный центр в вашем регионе для выполнения ремонта.
Сильная вибрация: <b>Немедленно выключите оборудование!</b>	Ослабьте пильную шину или пильную цепь.	Отрегулируйте натяжение пильной шины и пильной цепи.
	Неисправность инструмента.	Обратитесь в авторизованный сервисный центр в вашем регионе для выполнения ремонта.

## ДОПОЛНИТЕЛЬНЫЕ ПРИНАДЛЕЖНОСТИ

**ВНИМАНИЕ:** Данные принадлежности или приспособления рекомендуются для использования с инструментом Makita, указанным в настоящем руководстве. Использование других принадлежностей или приспособлений может привести к получению травмы. Используйте принадлежность или приспособление только по указанному назначению.

Если вам необходимо содействие в получении дополнительной информации по этим принадлежностям, свяжитесь с вашим сервис-центром Makita.

- Пильная цепь
- Пильная шина

- Крышка пильной шины
- Напильник
- Сумка для инструмента
- Оригинальный аккумулятор и зарядное устройство Makita

**ОСТОРОЖНО:** При покупке пильной шины, которая отличается по длине от стандартной модели, вместе с ней необходимо также приобрести крышку пильной шины подходящего размера. Убедитесь, что эта крышка подходит и полностью закрывает пильную шину цепной пилы.

**ПРИМЕЧАНИЕ:** Некоторые элементы списка могут входить в комплект инструмента в качестве стандартных приспособлений. Они могут отличаться в зависимости от страны.





**Makita Europe N.V.** Jan-Baptist Vinkstraat 2,  
3070 Kortenberg, Belgium

**Makita Corporation** 3-11-8, Sumiyoshi-cho,  
Anjo, Aichi 446-8502 Japan

[www.makita.com](http://www.makita.com)

885537A981  
EN, SV, NO, FI, LV,  
LT, ET, RU  
20161028