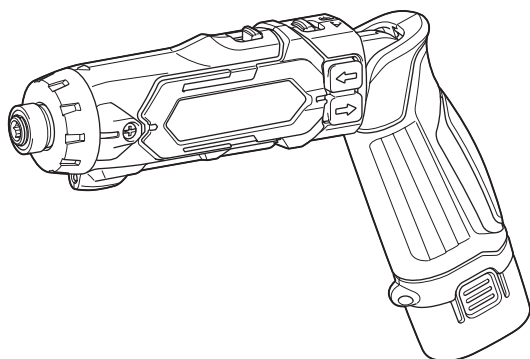




<b>EN</b>	<b>Cordless Driver Drill</b>	<b>INSTRUCTION MANUAL</b>	<b>4</b>
<b>SV</b>	<b>Sladdlös bormaskin</b>	<b>BRUKSANVISNING</b>	<b>9</b>
<b>NO</b>	<b>Batteridrevet borskru trekker</b>	<b>BRUKSANVISNING</b>	<b>14</b>
<b>FI</b>	<b>Akkuporakone</b>	<b>KÄYTTÖOHJE</b>	<b>19</b>
<b>LV</b>	<b>Bezvada skrūvgriezis-urbjmašīna</b>	<b>LIETOŠANAS INSTRUKCIJA</b>	<b>24</b>
<b>LT</b>	<b>Akumuliatorinis grąžtas</b>	<b>NAUDOJIMO INSTRUKCIJA</b>	<b>30</b>
<b>ET</b>	<b>Juhtmeta trell-kruvikeeraja</b>	<b>KASUTUSJUHEND</b>	<b>35</b>
<b>RU</b>	<b>Аккумуляторная дрель-шуруповерт</b>	<b>РУКОВОДСТВО ПО ЭКСПЛУАТАЦИИ</b>	<b>40</b>

# DF012D



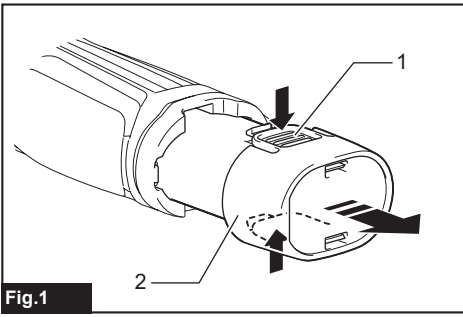


Fig.1

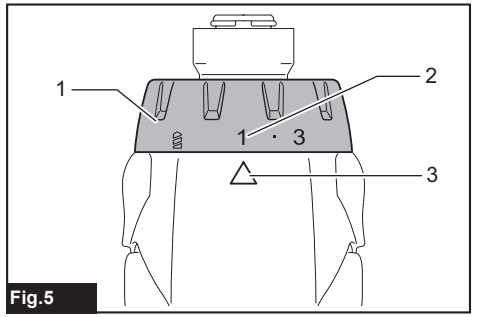


Fig.5

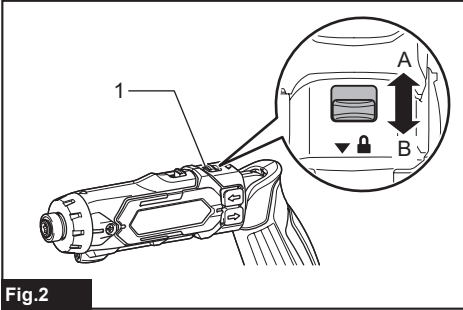


Fig.2

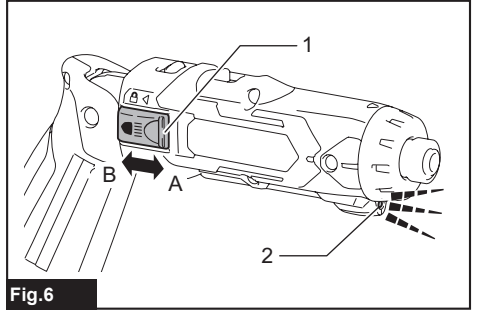


Fig.6

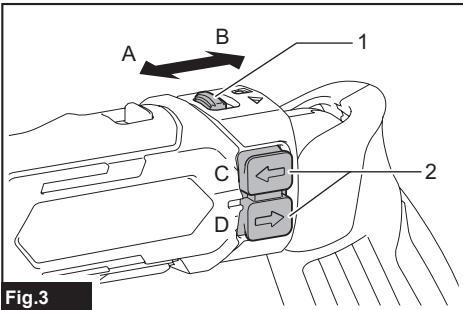


Fig.3

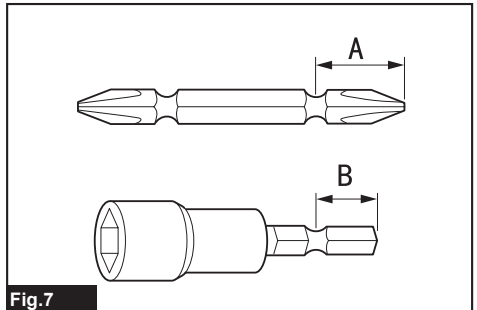


Fig.7

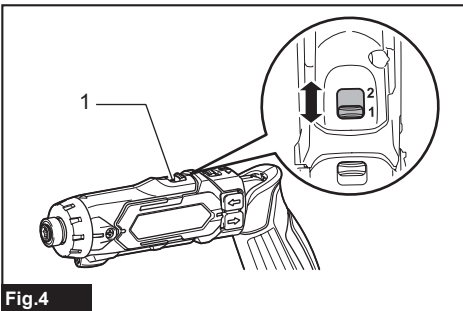


Fig.4

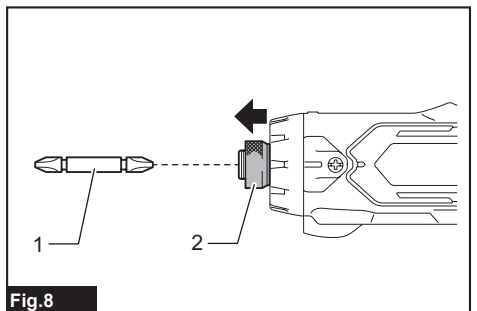
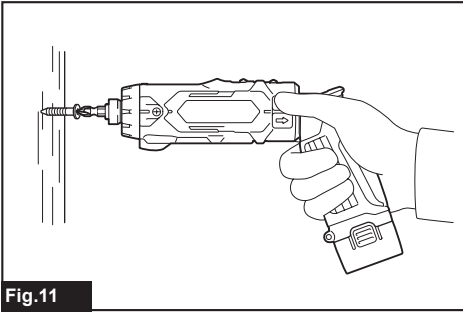
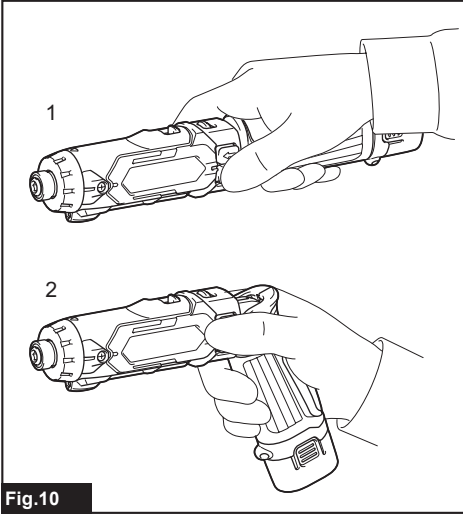
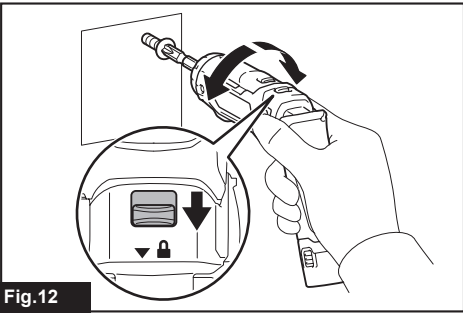
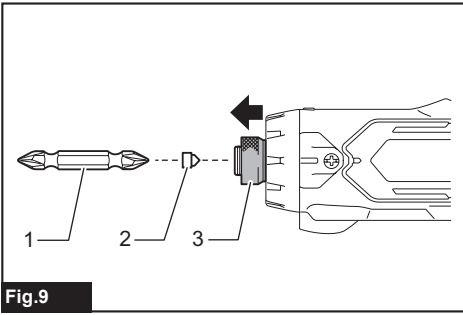


Fig.8



## SPECIFICATIONS

<b>Model:</b>		<b>DF012D</b>
Drilling capacities	Steel	5 mm
	Wood	6 mm
Fastening capacities	Wood screw	ø3.8 mm x 45 mm
	Machine screw	M5
No load speed	High (2)	650 min <sup>-1</sup>
	Low (1)	200 min <sup>-1</sup>
Overall length	With straight shape	273 mm
	With pistol shape	218 mm
Rated voltage		D.C. 7.2 V
Battery cartridge		BL0715
Net weight		0.53 kg

- Due to our continuing program of research and development, the specifications herein are subject to change without notice.
- Specifications and battery cartridge may differ from country to country.
- Weight, with battery cartridge, according to EPTA-Procedure 01/2014

### Intended use

The tool is intended for drilling and screw driving in wood, metal and plastic.

### Noise

The typical A-weighted noise level determined according to EN60745:

Sound pressure level ( $L_{pA}$ ): 70 dB(A) or less

Uncertainty (K): 3 dB(A)

The noise level under working may exceed 80 dB (A).

**⚠ WARNING: Wear ear protection.**

### Vibration

The vibration total value (tri-axial vector sum) determined according to EN60745:

Work mode: drilling into metal

Vibration emission ( $a_{h,D}$ ): 2.5 m/s<sup>2</sup> or less

Uncertainty (K): 1.5 m/s<sup>2</sup>

**NOTE:** The declared vibration emission value has been measured in accordance with the standard test method and may be used for comparing one tool with another.

**NOTE:** The declared vibration emission value may also be used in a preliminary assessment of exposure.

**⚠ WARNING:** The vibration emission during actual use of the power tool can differ from the declared emission value depending on the ways in which the tool is used.

**⚠ WARNING:** Be sure to identify safety measures to protect the operator that are based on an estimation of exposure in the actual conditions of use (taking account of all parts of the operating cycle such as the times when the tool is switched off and when it is running idle in addition to the trigger time).

### EC Declaration of Conformity

*For European countries only*

The EC declaration of conformity is included as Annex A to this instruction manual.

## SAFETY WARNINGS

### General power tool safety warnings

**⚠ WARNING:** Read all safety warnings, instructions, illustrations and specifications provided with this power tool. Failure to follow all instructions listed below may result in electric shock, fire and/or serious injury.

### Save all warnings and instructions for future reference.

The term "power tool" in the warnings refers to your mains-operated (corded) power tool or battery-operated (cordless) power tool.

### Cordless driver drill safety warnings

1. **Use auxiliary handle(s), if supplied with the tool.** Loss of control can cause personal injury.
2. **Hold the power tool by insulated gripping surfaces, when performing an operation where the cutting accessory may contact hidden wiring.** Cutting accessory contacting a "live" wire may make exposed metal parts of the power tool "live" and could give the operator an electric shock.
3. **Hold power tool by insulated gripping surfaces, when performing an operation where the fastener may contact hidden wiring.**

Fasteners contacting a "live" wire may make exposed metal parts of the power tool "live" and could give the operator an electric shock.

4. Always be sure you have a firm footing. Be sure no one is below when using the tool in high locations.
5. Hold the tool firmly.
6. Keep hands away from rotating parts.
7. Do not leave the tool running. Operate the tool only when hand-held.
8. Do not touch the drill bit or the workpiece immediately after operation; they may be extremely hot and could burn your skin.
9. Some material contains chemicals which may be toxic. Take caution to prevent dust inhalation and skin contact. Follow material supplier safety data.

## SAVE THESE INSTRUCTIONS.

**⚠ WARNING:** DO NOT let comfort or familiarity with product (gained from repeated use) replace strict adherence to safety rules for the subject product. MISUSE or failure to follow the safety rules stated in this instruction manual may cause serious personal injury.

## Important safety instructions for battery cartridge

1. Before using battery cartridge, read all instructions and cautionary markings on (1) battery charger, (2) battery, and (3) product using battery.
2. Do not disassemble battery cartridge.
3. If operating time has become excessively shorter, stop operating immediately. It may result in a risk of overheating, possible burns and even an explosion.
4. If electrolyte gets into your eyes, rinse them out with clear water and seek medical attention right away. It may result in loss of your eyesight.
5. Do not short the battery cartridge:
  - (1) Do not touch the terminals with any conductive material.
  - (2) Avoid storing battery cartridge in a container with other metal objects such as nails, coins, etc.
  - (3) Do not expose battery cartridge to water or rain. A battery short can cause a large current flow, overheating, possible burns and even a breakdown.
6. Do not store the tool and battery cartridge in locations where the temperature may reach or exceed 50 °C (122 °F).
7. Do not incinerate the battery cartridge even if it is severely damaged or is completely worn out. The battery cartridge can explode in a fire.
8. Be careful not to drop or strike battery.
9. Do not use a damaged battery.
10. The contained lithium-ion batteries are subject to the Dangerous Goods Legislation requirements. For commercial transports e.g. by third parties, forwarding agents, special requirement on packaging and labeling must be observed. For preparation of the item being shipped, consulting an expert for hazardous material is required. Please also observe possibly more detailed national regulations. Tape or mask off open contacts and pack up the battery in such a manner that it cannot move around in the packaging.

11. Follow your local regulations relating to disposal of battery.

## SAVE THESE INSTRUCTIONS.

**⚠ CAUTION:** Only use genuine Makita batteries. Use of non-genuine Makita batteries, or batteries that have been altered, may result in the battery bursting causing fires, personal injury and damage. It will also void the Makita warranty for the Makita tool and charger.

## Tips for maintaining maximum battery life

1. Charge the battery cartridge before completely discharged. Always stop tool operation and charge the battery cartridge when you notice less tool power.
2. Never recharge a fully charged battery cartridge. Overcharging shortens the battery service life.
3. Charge the battery cartridge with room temperature at 10 °C - 40 °C (50 °F - 104 °F). Let a hot battery cartridge cool down before charging it.

## FUNCTIONAL DESCRIPTION

**⚠ CAUTION:** Always be sure that the tool is switched off and the battery cartridge is removed before adjusting or checking function on the tool.

## Installing or removing battery cartridge

**⚠ CAUTION:** Always switch off the tool before installing or removing of the battery cartridge.

**⚠ CAUTION:** Hold the tool and the battery cartridge firmly when installing or removing battery cartridge.

Failure to hold the tool and the battery cartridge firmly may cause them to slip off your hands and result in damage to the tool and battery cartridge and a personal injury.

► Fig. 1: 1. Button 2. Battery cartridge

To remove the battery cartridge, withdraw it from the tool while pressing the buttons on both sides of the cartridge.

To install the battery cartridge, align the tongue on the battery cartridge with the groove in the housing and slip it into place.

**⚠ CAUTION:** Always insert it until it locks in place with a little click. If not, it may accidentally fall out of the tool, causing injury to you or someone around you.

**⚠ CAUTION:** Do not install the battery cartridge forcibly. If the cartridge does not slide in easily, it is not being inserted correctly.

## Battery protection system

The tool is equipped with a battery protection system. This system automatically cuts off power to the motor to extend battery life. The tool will automatically stop during operation if the tool and/or battery are placed under the following condition:

### Low battery voltage:

The remaining battery capacity is too low and the tool will not operate. If you turn the tool on, the motor runs again but stops soon. In this situation, remove and recharge the battery.

## Lock lever

**CAUTION:** When not operating the tool, always set the lock lever in the locked position B.

► Fig.2: 1. Lock lever

When the lock lever is in the locked position B, the switch cannot be actuated.

When the lock lever is in the unlocked position A, the switch can be actuated.

## Switch action

**CAUTION:** Before installing the battery cartridge into the tool, always check to see that the switch actuates properly and returns to the "OFF" position when released.

**CAUTION:** Always check the direction of rotation before operation.

► Fig.3: 1. Lock lever 2. Switch

To start the tool, first move the lock lever to the unlocked position A to release the switch. And then simply push the switch on the ⇨ C side for the clockwise rotation and the ⇩ D side for the counterclockwise rotation. Release the switch to stop.

**NOTICE:** Change the direction only after the tool comes to a complete stop. Changing the direction of rotation before the tool stops may damage the tool.

## Speed change

► Fig.4: 1. Speed change lever

**CAUTION:** Always set the speed change lever fully to the correct position. If you operate the tool with the speed change lever positioned halfway between the "1" side and "2" side, the tool may be damaged.

**CAUTION:** Do not use the speed change lever while the tool is running. The tool may be damaged.

Position of speed change lever	Speed	Torque	Applicable operation
1	Low	High	Heavy loading operation
2	High	Low	Light loading operation

To change the speed, switch off the tool first. Select the "2" side for high speed or "1" for low speed but high torque. Be sure that the speed change lever is set to the correct position before operation.

If the tool speed is coming down extremely during the operation with "2", slide the lever to the "1" and restart the operation.

## Adjusting the fastening torque

► Fig.5: 1. Adjusting ring 2. Graduation 3. Arrow

The fastening torque can be adjusted in 22 levels by turning the adjusting ring. Align the graduations with the arrow on the tool body. You can get the minimum fastening torque at 1 and maximum torque at 22 marking.


The clutch will slip at various torque levels when set at the number 1 to 21. The clutch does not work at the 22 marking.

Before actual operation, drive a trial screw into your material or a piece of duplicate material to determine which torque level is required for a particular application.

**NOTE:** See the following chart for the relation between the number of torque setting and fastening torque rate.

The fastening torque rate will be different depends on materials. Make a test fastening to get the desired torque before operation.

### Guideline for clutch auto stop

Work range of clutch auto-stop		Increments on adjusting ring for fastening torque	Fastening torque
High	Low		
✓	✓	1	Approx. 0.3 N•m (Approx. 3 Kgf•cm)
✓	✓	5	Approx. 0.82 N•m (Approx. 8.4 Kgf•cm)
✓	✓	9	Approx. 1.35 N•m (Approx. 13.8 Kgf•cm)
-	✓	13	Approx. 1.88 N•m (Approx. 19.2 Kgf•cm)
-	✓	17	Approx. 2.41N•m (Approx. 24.6 Kgf•cm)
-	✓	21	Approx. 2.9 N•m (Approx. 30 Kgf•cm)
-	-		At low speed, approx. 8 N•m (Approx. 81.6 Kgf•cm)
-	-		At high speed, approx. 1.5 N•m (Approx. 14.7 Kgf•cm)

When driving machine screws	Increments	Guideline for machine screw diameter
	1 - 3	2.5 mm
	4 - 8	3 mm
	9 - 18	4 mm
	19 - 21	5 mm

## Lighting up the front lamp

**CAUTION:** Do not look in the light or see the source of light directly.

To turn on the light, slide the lamp switch to the A position. To turn off the light, slide the lamp switch to B position.

Even if you leave the lamp on, the light will automatically turn off after 5 minutes.

► **Fig.6:** 1. Lamp switch 2. Lamp

**NOTE:** The lamp signals by flickering during use when the battery power is almost used up.

At this time, recharge the battery or replace the battery with a fully charged one.

## ASSEMBLY

**CAUTION:** Always be sure that the tool is switched off and the battery cartridge is removed before carrying out any work on the tool.

### Installing or removing driver bit/ socket bit

► **Fig.7**

Use only driver bit/socket bit that has inserting portion shown in the figure. Do not use any other driver bit/ socket bit.

**For tool with shallow driver bit hole**

A=12mm B=9mm	Use only these type of driver bit. Follow the procedure 1. (Note) Bit-piece is not necessary.
-----------------	---

**For tool with deep driver bit hole**

A=17mm B=14mm	To install these types of driver bits, follow the procedure 1.
A=12mm B=9mm	To install these types of driver bits, follow the procedure 2. (Note) Bit-piece is necessary for installing the bit.

## Procedure 1

► **Fig.8:** 1. Driver bit 2. Sleeve

To install the driver bit, pull the sleeve in the direction of the arrow and insert the driver bit into the sleeve as far as it will go.

Then release the sleeve to secure the driver bit.

## Procedure 2

In addition to **Procedure 1**, insert the bit-piece into the sleeve with its pointed end facing in.

► **Fig.9:** 1. Driver bit 2. Bit-piece 3. Sleeve

To remove the driver bit, pull the sleeve in the direction of the arrow and pull the driver bit out.

**NOTE:** If the driver bit is not inserted deep enough into the sleeve, the sleeve will not return to its original position and the driver bit will not be secured. In this case, try re-inserting the bit according to the instructions above.

**NOTE:** After inserting the driver bit, make sure that it is firmly secured. If it comes out, do not use it.

## OPERATION

**CAUTION:** When bending the tool to use in the pistol shape or straightening to use in the straight shape, do not hold the bendable part of the tool. Failure to do so may cause your hand and fingers to be pinched and injured by this part.

The tool can be used in two ways; a straight shape and a pistol shape which are selectable according to the conditions of workplace and screwdriving.

► **Fig.10:** 1. Straight shape 2. Pistol shape

## Screwdriving operation

**CAUTION:** Adjust the adjusting ring to the proper torque level for your work.


**CAUTION:** Make sure that the driver bit is inserted straight in the screw head, or the screw and/or driver bit may be damaged.

Place the point of the driver bit in the screw head and apply pressure to the tool. Start the tool slowly and then increase the speed gradually. Release the switch trigger as soon as the clutch cuts in.

► **Fig.11**

**NOTE:** When driving wood screw, pre-drill a pilot hole 2/3 the diameter of the screw. It makes driving easier and prevents splitting of the workpiece.

## Drilling operation

First, turn the adjusting ring so that the arrow points to the  marking. Then proceed as follows.

### Drilling in wood

When drilling in wood, the best results are obtained with wood drills equipped with a guide screw. The guide screw makes drilling easier by pulling the drill bit into the workpiece.

## Drilling in metal

To prevent the drill bit from slipping when starting a hole, make an indentation with a center-punch and hammer at the point to be drilled. Place the point of the drill bit in the indentation and start drilling. Use a cutting lubricant when drilling metals. The exceptions are iron and brass which should be drilled dry.

**⚠ CAUTION:** Pressing excessively on the tool will not speed up the drilling. In fact, this excessive pressure will only serve to damage the tip of your drill bit, decrease the tool performance and shorten the service life of the tool.

**⚠ CAUTION:** Hold the tool firmly and exert care when the drill bit begins to break through the workpiece. There is a tremendous force exerted on the tool/drill bit at the time of hole break through.

**⚠ CAUTION:** A stuck drill bit can be removed simply by setting the reversing switch to reverse rotation in order to back out. However, the tool may back out abruptly if you do not hold it firmly.

**⚠ CAUTION:** Always secure workpieces in a vise or similar hold-down device.

**⚠ CAUTION:** If the tool is operated continuously until the battery cartridge has discharged, allow the tool to rest for 15 minutes before proceeding with a fresh battery.

## OPTIONAL ACCESSORIES

**⚠ CAUTION:** These accessories or attachments are recommended for use with your Makita tool specified in this manual. The use of any other accessories or attachments might present a risk of injury to persons. Only use accessory or attachment for its stated purpose.

If you need any assistance for more details regarding these accessories, ask your local Makita Service Center.

- Drill bits
- Driver bits
- Socket bits
- Bit piece
- Plastic carrying case
- Makita genuine battery and charger

**NOTE:** Some items in the list may be included in the tool package as standard accessories. They may differ from country to country.

## Using the tool as a hand screwdriver

### ► Fig.12

Switch off the tool.

Move the lock lever to the locked position .

Turn the tool.

**NOTICE:** Use the tool with a fastening torque less than 5 N•m (50 kgf•cm).

**NOTICE:** Do not use the tool for work requiring excessive force, such as tightening bolt M6 or bolts greater than M6 or removing rusted screws.

**NOTE:** This use is convenient for checking the screwdriving.

## MAINTENANCE

**⚠ CAUTION:** Always be sure that the tool is switched off and the battery cartridge is removed before attempting to perform inspection or maintenance.

**NOTICE:** Never use gasoline, benzine, thinner, alcohol or the like. Discoloration, deformation or cracks may result.

To maintain product SAFETY and RELIABILITY, repairs, any other maintenance or adjustment should be performed by Makita Authorized or Factory Service Centers, always using Makita replacement parts.



## SPECIFIKATIONER

Modell:		DF012D
Borrkapaciteter	Stål	5 mm
	Trä	6 mm
Åtdragningskapaciteter	Tråskruv	ø3,8 mm x 45 mm
	Maskinskruv	M5
Hastighet utan belastning	Hög (2)	650 min <sup>-1</sup>
	Låg (1)	200 min <sup>-1</sup>
Total längd	Med rak modell	273 mm
	Med pistolmodell	218 mm
Märkspänning		7,2 V likström
Batterikassett		BL0715
Nettovikt		0,53 kg

- På grund av vårt pågående program för forskning och utveckling kan dessa specifikationer ändras utan föregående meddelande.
- Specifikationer och batterikassett kan variera mellan olika länder.
- Vikt med batterikassett i enlighet med EPTA-procedur 01/2014

### Avsedd användning

Maskinen är avsedd för borring och skruvdragnig i trä, metall och plast.

### Buller

Den normala bullernivån för A-belastning är bestämd enligt EN60745: Ljudtrycksnivå (L<sub>PA</sub>): 70 dB (A) eller lägre  
Måttolerans (K): 3 dB (A)

Bullernivån vid arbete kan överstiga 80 dB (A).

**⚠ VARNING: Använd hörselskydd.**

### Vibration

Det totala vibrationsvärdet (treaxlad vektorsumma) bestämt enligt EN60745:

Arbetsläge: borring i metall

Vibrationsemission (a<sub>h,D</sub>): 2,5 m/s<sup>2</sup> eller lägre

Måttolerans (K): 1,5 m/s<sup>2</sup>

**OBS:** Det deklarerade vibrationsemissionsvärdet har uppmätts i enlighet med standardtestmetoden och kan användas för att jämföra en maskin med en annan.

**OBS:** Det deklarerade vibrationsemissionsvärdet kan också användas i en preliminär bedömning av exponering för vibration.

**⚠ VARNING:** Vibrationsemissionen under faktisk användning av maskinen kan skilja sig från det deklarerade emissionsvärdet, beroende på hur maskinen används.

**⚠ VARNING:** Var noga med att identifiera säkerhetsåtgärder för att skydda användaren, vilka är grundade på en uppskattning av graden av exponering för vibrationer under de faktiska användningsförhållandena, (ta, förutom avtryckartiden, med alla delar av användarcykeln i beräkningen, som till exempel tiden då maskinen är avstängd och när den går på tomgång).

### EG-försäkring om överensstämmelse

**Gäller endast inom EU**

EG-försäkring om överensstämmelse inkluderar som bilaga A till denna bruksanvisning.

## SÄKERHETSVARNINGAR

### Allmänna säkerhetsvarningar för maskiner

**⚠ VARNING:** Läs alla säkerhetsvarningar, anvisningar, illustrationer och specifikationer som medföljer det här maskinen. Underlåtenhet att följa instruktionerna kan leda till elstötar, brand och/eller allvarliga personskador.

### Spara alla varningar och instruktioner för framtida referens.

Termen "maskin" som anges i varningarna hänvisar till din eldrivna maskin (sladdansluten) eller batteridrivna maskin (sladdlös).

### Säkerhetsvarningar för sladdlös bormaskin

1. **Använd extrahandtag om det levereras med maskinen.** Om du förlorar kontrollen över maskinen kan det leda till personskador.
2. **Håll maskinen i de isolerade handtagen om det finns risk för att skärverktyget kan komma i kontakt med en dold elkabel.** Om skärverktyget kommer i kontakt med en "strömförande" ledning blir maskinens blottlagda metalldelar "strömförande" och kan ge operatören en elektrisk stöt.

- Håll maskinen i de isolerade handtagen om det finns risk för att skruvdragaren kan komma i kontakt med en dold elkabel. Skruvdragare som kommer i kontakt med en "strömförande" kabel kan få sina blottlagda metalldelar "strömförande", vilket kan ge användaren en elektrisk stöt.
- Se till att alltid ha ordentligt fotfäste. Se till att ingen står under dig när maskinen används på hög höjd.
- Håll stadigt i maskinen.
- Håll händerna på avstånd från roterande delar.
- Lämna inte maskinen igång. Använd endast maskinen när du håller den i händerna.
- Rör inte vid borrbits eller arbetsstycke omedelbart efter användning eftersom de kan vara extremt varma och orsaka brännskador.
- Vissa material kan innehålla giftiga kemikalier. Se till att du inte andas in damm eller får det på huden. Följ anvisningarna i leverantörens materialsäkerhetsblad.

## SPARA DESSA ANVISNINGAR.

**⚠ VARNING:** GLÖM INTE att också fortsättningsvis strikt följa säkerhetsanvisningarna för maskinen även efter att du blivit van att använda den. Vid FELAKTIG HANTERING av maskinen eller om inte säkerhetsanvisningarna i denna bruksanvisning följs kan följden bli allvarliga personsador.

### Viktiga säkerhetsanvisningar för batterikassetten

- Innan batterikassetten används ska alla instruktioner och varningsmärken på (1) batteriladdaren, (2) batteriet och (3) produkten läsas.
- Montera inte isär batterikassetten.
- Om drifttiden blivit avsevärt kortare ska användningen avbrytas omedelbart. Det kan uppstå överhettning, brännskador och t o m en explosion.
- Om du får elektrolyt i ögonen ska de sköljas med rent vatten och läkare uppsöks omedelbart. Det finns risk för att synen förloras.
- Kortslut inte batterikassetten.
  - Rör inte vid polerna med något strömförande material.
  - Undvik att förvara batterikassetten tillsammans med andra metallobjekt som t.ex. spikar, mynt o.s.v.
  - Skydda batteriet mot vatten och regn. En batterikortslutning kan orsaka ett stort strömföflöde, överhettning, brand och maskinhaveri.
- Förvara inte maskinen och batterikassetten på platser där temperaturen kan nå eller överstiga 50 °C.
- Bränn inte upp batterikassetten även om den är svårt skadad eller helt utsliten. Batterikassetten kan explodera i öppen eld.
- Var försiktig så att du inte råkar tappa batteriet och utsätt det inte för stötar.
- Använd inte ett skadat batteri.
- De medföljande litiumjonbatterierna är föremål för kraven i gällande lagstiftning för farligt gods. För kommersiella transporter (av t.ex. tredje parter som speditiönsfirmor) måste de särskilda transportkrav som anges på emballaget och etiketter iakttas.

För att förbereda den produkt som ska avsändas krävs att du konsulterar en expert på riskmaterial. Var också uppmärksam på att det i ditt land kan finnas ytterligare föreskrifter att följa.

Tejpa över eller maskera blottade kontakter och packa batteriet på sådant sätt att det inte kan röra sig fritt i förpackningen.

- Följ lokala föreskrifter beträffande avfallshantering av batteriet.

## SPARA DESSA ANVISNINGAR.

**⚠ FÖRSIKTIGT:** Använda endast äkta Makita-batterier. Användning av oäkta Makita-batterier eller batterier som har manipulerats kan leda till person- och utrustningssador eller till att batteriet fattar eld. Det upphäver också Makitas garanti för verktyget och laddaren.

## Tips för att uppnå batteriets maximala livslängd

- Ladda batterikassetten innan den är helt urladdad. Stanna alltid maskinen och ladda batterikassetten när du märker att maskinen blir svagare.
- Ladda aldrig en fulladdad batterikassett. Överladdning förkortar batteriets livslängd.
- Ladda batterikassetten vid en rumstemperatur på 10 °C - 40 °C. Låt en varm batterikassett svalna innan den laddas.

## FUNKTIONSBEKRIVNING

**⚠ FÖRSIKTIGT:** Se alltid till att maskinen är avstängd och batterikassetten borttagen innan du justerar maskinen eller kontrollerar dess funktioner.

### Montera eller demontera batterikassetten

**⚠ FÖRSIKTIGT:** Stäng alltid av maskinen innan du monterar eller tar bort batterikassetten.

**⚠ FÖRSIKTIGT:** Håll stadigt i maskinen och batterikassetten när du monterar eller tar bort batterikassetten. I annat fall kan det leda till att de glider ur dina händer och orsakar skada på maskinen och batterikassetten samt personskada.

► Fig.1: 1. Knapp 2. Batterikassett

För att ta loss batterikassetten drar du av det från maskinen samtidigt som du trycker på knappen på båda sidorna av kassetten.

Sätt in batterikassetten genom att rikta in tungan på batterikassetten mot spåret i höljet och skjut den på plats.

**⚠ FÖRSIKTIGT:** Tryck alltid in den tills den låses fast med ett klick. I annat fall kan den plötsligt lossna från maskinen och skada dig eller någon annan.

**⚠ FÖRSIKTIGT:** Montera inte batterikassetten med våld. Om kassetten inte lätt glider på plats är den felinställt.

## Skyddssystem för batteri

Maskinen är utrustad med ett batteriskyddssystem. Detta system bryter automatiskt strömmen till motorn för att förlänga batteriets livslängd. Maskinen stoppar automatiskt under pågående användning om maskinen och/eller batteriet utsätts för följande situation:

### Batterispänningen faller:

Den kvarvarande batterikapaciteten är för låg och maskinen fungerar inte. Om du trycker in avtryckaren går motorn igång men stannar snart igen. I detta läge tar du bort batteriet och laddar det.

## Säkerhetsspärr

**⚠ FÖRSIKTIGT:** Placera alltid säkerhetsspärren i låst läge B när du inte använder maskinen.

► Fig.2: 1. Säkerhetsspärr

När säkerhetsspärren står i låst läge B går det inte att aktivera avtryckaren.

När säkerhetsspärren står i olåst läge A går det att aktivera avtryckaren.

## Avtryckarens funktion

**⚠ FÖRSIKTIGT:** Kontrollera alltid att avtryckaren löser ut ordentligt och återgår till läget "OFF" när den släpps innan batterikassetten installeras i verktyget.

**⚠ FÖRSIKTIGT:** Kontrollera alltid rotationsriktningen före användning.

► Fig.3: 1. Säkerhetsspärr 2. Strömbrytare

## Ställa in åtdragningsmomentet

► Fig.5: 1. Inställningsring 2. Gradering 3. Pil

Åtdragningsmomentet kan justeras i 22 steg genom att vrida på inställningsringen. Rikta in graderingsstegen mot pilen på verktygskroppen. Vid 1 får du det minsta åtdragningsmomentet och vid 22 får du det maximala åtdragningsmomentet.

Kopplingen kommer att börja slira vid olika åtdragningsmoment när den ställs in på läge 1 till 21. Kopplingen fungerar inte vid 22-märkingen.

Innan du börjar arbeta bör du skruva i en provskruv i ditt material eller i ett stycke av samma material så att du vet vilket vridmoment som passar för varje specifik användning.

**OBS:** Se följande tabell för relationen mellan siffran för momentinställning och åtdragningsmomentet.

Åtdragningsmomentet är olika beroende på material. Utför en teståtdragning för att få önskat moment före arbetet.

### Riktlinje för automatiskt stopp av kopplingen

Arbetsområde för automatiskt stopp av kopplingen		Steg för åtdragningsmoment på inställningsringen	Åtdragningsmoment
Hög	Låg		
✓	✓	1	Ca 0,3 N•m (ca 3 Kgf•cm)
✓	✓	5	Ca 0,82 N•m (ca 8,4 Kgf•cm)
✓	✓	9	Ca 1,35 N•m (ca 13,8 Kgf•cm)
-	✓	13	Ca 1,88 N•m (ca 19,2 Kgf•cm)
-	✓	17	Ca 2,41 N•m (ca 24,6 Kgf•cm)

Starta maskinen genom att först ställa säkerhetsspärren i olåst läge A för att frigöra avtryckaren. För att starta maskinen trycker man på avtryckaren på sida C för medurs rotation och sida D för moturs rotation. Släpp avtryckaren för att stoppa maskinen.

**OBSERVERA:** Riktningen får inte ändras förrän maskinen har stannat helt. Maskinen kan skadas om du byter rotationsriktning medan den fortfarande roterar.

## Hastighetsändring

► Fig.4: 1. Hastighetsspak


**⚠ FÖRSIKTIGT:** Dra alltid hastighetsspaken hela vägen i korrekt läge. Om du använder maskinen och hastighetsspaken står halvvägs mellan sida "1" och sida "2" kan maskinen skadas.

**⚠ FÖRSIKTIGT:** Ändra inte hastighetsspaken medan maskinen roterar. I annat fall kan maskinen skadas.

Läge för hastighetsreglaget	Hastighet	Vridmoment	Aktuell drift
1	Låg	Hög	Drift med hög belastning
2	Hög	Låg	Drift med lätt belastning

Om du vill ändra hastigheten ska du först stänga av maskinen. Välj sida "2" för hög hastighet eller "1" för låg hastighet men högt vridmoment. Kontrollera att hastighetsreglaget står i rätt läge före användning.

Om maskinens hastighet sänks extremt under ett arbetsmoment i läge "2" ska du flytta spaken till "1" och starta om arbetsmomentet.

Arbetsområde för automatiskt stopp av kopplingen		Steg för åtdragningsmoment på inställningsringen	Åtdragningsmoment
Hög	Låg		
-	✓	21	Ca 2,9 N•m (ca 30 Kg•cm)
-	-		Vid låg hastighet, ca 8 N•m (ca 81,6 Kg•cm)
-	-		Vid hög hastighet, ca 1,5 N•m (ca 14,7 Kg•cm)

Vid skruvning av maskinskrubar	Steg	Riktlinje för maskinskruvdiameter
	1 - 3	2,5 mm
	4 - 8	3 mm
	9 - 18	4 mm
	19 - 21	5 mm

## Tända frontlampan

**⚠ FÖRSIKTIGT:** Titta inte in i ljuset eller direkt i ljuskällan.

Skjut lampknappen till position A för att tända lampan. Skjut lampknappen till position B för att släcka lampan. Även om du lämnar lampan påslagen kommer ljuset automatiskt att stängas av efter 5 minuter.

► Fig.6: 1. Lampknapp 2. Lampa

**OBS:** Under användningen signalerar lampan genom att blinka när batterikapaciteten nästan är slut.

Ladda batteriet nu eller byt ut det mot ett fulladdat.

## MONTERING

**⚠ FÖRSIKTIGT:** Se alltid till att maskinen är avstängd och batterikassetten borttagen innan du underhåller maskinen.

### Montering eller demontering av skruvbits eller hylsbits

► Fig.7

Använd endast skruvbits/hylsbits som har en isättande del enligt vad som visas i figuren. Använd inga andra bits.

**För verktyg med grunt skruvbitshål**

A = 12 mm B = 9 mm	Använd endast dessa typer av borrbits. Följ procedur 1. OBS! Bitsfäste är inte nödvändigt.
-----------------------	--

**För verktyg med djupt borrbitshål**

A = 17 mm B = 14 mm	För att montera dessa typer av skruvbits följer du procedur 1.
A = 12 mm B = 9 mm	För att montera dessa typer av skruvbits följer du procedur 2. OBS! Bitsfäste är nödvändigt för att installera bitset.

## Procedur 1

► Fig.8: 1. Skruvbits 2. Hylsa

Montera skruvbitset genom att dra hylsan i pilens riktning och sätt i bitset i hylsan så långt det går. Släpp sedan hylsan för att fästa borrbitset.

## Procedur 2

Förutom procedur 1 ovan, ska bitsfästet föras in i hylsan med dess spetsiga del vänd in mot hylsan.

► Fig.9: 1. Skruvbits 2. Bitsfäste 3. Hylsa

Ta ut bitset genom att dra hylsan i pilens riktning och dra ut skruvbitset.

**OBS:** Om skruvbitset inte är isatt djupt nog i hylsan kommer inte hylsan att gå tillbaka till sitt ursprungliga läge och skruvbitset fästs inte. Försök då att sätta i bitset på nytt enligt instruktionerna ovan.

**OBS:** Efter att skruvbitset är isatt kontrollerar du att det är ordentligt fastskruvat. Om det åker ut ska du inte använda det.

## ANVÄNDNING

**⚠ FÖRSIKTIGT:** Håll inte i maskinens böjbara del när du böjer den för användning som pistol-modell eller när du rätar på den för användning som rak modell. I annat fall kan du klämma och skada din hand och dina fingrar i denna del.

Maskinen kan användas på två sätt; en rak modell och en pistolmodell. Vilken modell som används beror på arbets- och skruvdragningsförhållanden.

► Fig.10: 1. Rak modell 2. pistolmodell

### Skruvdragnig

**⚠ FÖRSIKTIGT:** Anpassa inställningsringen så att du får rätt åtdragningsmoment för ditt arbete.


**⚠ FÖRSIKTIGT:** Se till att skruvbitset placeras rakt i skruvkallen för att inte skruven och/eller skruvbitset ska skadas.

Placera spetsen på skruvbitset i skruvhuvudet och tryck med maskinen. Starta maskinen sakta och öka sedan hastigheten gradvis. Släpp avtryckaren så fort kopplingen slirar.

► Fig.11

**OBS:** Vid skruvning med träskruv är det lämpligt att förborra ett styrhål som är två tredjedelar av skruvens diameter. Det gör skruvdragningen enklare och förhindrar att träet spricker.

## Borning

Vrid först inställningsringen så att pilen pekar mot markeringen . Fortsätt sedan enligt följande:

### Borra i trä

Vid borning i trä uppnår du bäst resultat om du använder ett träborr med styrskruv. Styrskraven gör det enklare att borra genom att den drar in borret i arbetsstycket.

### Borra i metall

För att borret inte ska halka när du börjar borra kan du göra ett märke med en syl och en hammare i punkten där hålet ska borras. Placera borrets spets i sylhålet och börja borra.

Använd ett smörjmedel vid borning i metall.

Undantagen är järn och mässing som ska borras torrt.

**⚠FÖRSIKTIGT:** Borningen går inte fortare för att du trycker hårdare på maskinen. Detta extra tryck skadar bara toppen på ditt borr, sänker maskinens prestanda och förkortar maskinens livslängd.

**⚠FÖRSIKTIGT:** Håll ett stadigt tag i maskinen och var försiktig när borret börjar tränga igenom arbetsstycket. Det utvecklas en enorm kraft på maskinen/borret vid hålgenomslaget.

**⚠FÖRSIKTIGT:** Ett borr som fastnat kan enkelt backas ur genom att reversera borningens rotationsriktning. Maskinen kan dock plötsligt backa ut om du inte håller i den ordentligt.


**⚠FÖRSIKTIGT:** Fäst alltid arbetsstycken i ett städ eller liknande fasthållningsanordningar.

**⚠FÖRSIKTIGT:** Om maskinen används löpande tills batteriet är tomt bör maskinen vila 15 minuter innan du fortsätter arbetet med ett laddat batteri.

## Använda maskinen som en handskruvmejsel

► Fig.12

Stäng av verktyget.

Flytta säkerhetsspärren till låst läge .

Vrid verktyget.

**OBSERVERA:** Använd maskinen med ett åtdragningsmoment som är lägre än 5 N•m (50 kgf•cm).

**OBSERVERA:** Använd inte maskinen för arbete som kräver att du trycker hårt med den, såsom åtdragning av M6-bultar eller bultar som är större än M6 eller för att ta bort rostiga skruvar.

**OBS:** Denna användning är bekväm för att kontrollera skruvdragningen.

## UNDERHÅLL

**⚠FÖRSIKTIGT:** Se alltid till att maskinen är avstängd och batterikassetten borttagen innan inspektion eller underhåll utförs.

**OBSERVERA:** Använd inte bensin, förtunningsmedel, alkohol eller liknande. Missfärgning, deformation eller sprickor kan uppstå.

För att upprätthålla produktens SÄKERHET och TILLFÖRLITLIGHET bör allt underhålls- och justeringsarbete utföras av ett auktoriserat Makita servicecenter och med reservdelar från Makita.

## VALFRIA TILLBEHÖR

**⚠FÖRSIKTIGT:** Följande tillbehör eller tillsatser rekommenderas för användning med den **Makita-maskin som denna bruksanvisning avser**. Om andra tillbehör eller tillsatser används kan det uppstå risk för personskador. Använd endast tillbehören eller tillsatserna för de syften de är avsedda för.

Kontakta ditt lokala Makita servicecenter om du behöver ytterligare information om dessa tillbehör.

- Borr
- Skruvbits
- Hylsbits
- Bitsfäste
- Förvaringsväska av plast
- Makitas originalbatteri och -laddare

**OBS:** Några av tillbehören i listan kan vara inkluderade i maskinpaketet som standardtillbehör. De kan variera mellan olika länder.

## TEKNISKE DATA

Modell:		DF012D
Borekapasitet	Stål	5 mm
	Tre	6 mm
Festekapasitet	Treskrue	ø3,8 mm x 45 mm
	Maskinskrue	M5
Hastighet uten belastning	Høy (2)	650 min <sup>-1</sup>
	Lav (1)	200 min <sup>-1</sup>
Total lengde	Med rett form	273 mm
	Med pistolform	218 mm
Nominell spenning		DC 7,2 V
Batteriinsats		BL0715
Nettovekt		0,53 kg

- På grunn av vårt kontinuerlige forsknings- og utviklingsprogram kan spesifikasjonene som oppgis i dette dokumentet endres uten varsel.
- Spesifikasjoner og batteriinsats kan variere fra land til land.
- Vekt, med batteri, i henhold til EPTA-prosedyre 01/2014

### Riktig bruk

Maskinen er beregnet til boring og skruing i tre, metall og plast.

### Støy

Typisk A-vektet lydtrykknivå er bestemt i henhold til EN60745: Lydtrykknivå ( $L_{pA}$ ): 70 dB (A) eller mindre  
Usikkerhet (K): 3 dB (A)

Støynivået under arbeid kan overskride 80 dB (A).

**⚠ ADVARSEL:** Bruk hørselsvern.

### Vibrasjoner

Den totale vibrasjonsverdien (triaksial vektorsum) bestemt i henhold EN60745:

Arbeidsmodus: Bore inn i metall

Genererte vibrasjoner ( $a_{h,D}$ ): 2,5 m/s<sup>2</sup> eller mindre  
Usikkerhet (K): 1,5 m/s<sup>2</sup>

**MERK:** Den angitte verdien for de genererte vibrasjonene er målt i samsvar med standardtestmetoden og kan brukes til å sammenlikne et verktøy med et annet.

**MERK:** Den angitte verdien for de genererte vibrasjonene kan også brukes til en foreløpig vurdering av eksponeringen.

**⚠ ADVARSEL:** De genererte vibrasjonene ved faktisk bruk av elektroverktøyet kan avvike fra den angitte vibrasjonsverdien, avhengig av hvordan verktøyet brukes.

**⚠ ADVARSEL:** Sørg for å identifisere vernetiltak for å beskytte operatøren, som er basert på et estimat av eksponeringen under de faktiske bruksforholdene (idet det tas hensyn til alle deler av driftssyklusen, dvs. hvor lenge verktøyet er slått av, hvor lenge det går på tomgang og hvor lenge startbryteren faktisk holdes trykket).

### EFs samsvarserklæring

*Gjelder kun for land i Europa*

EFs samsvarserklæring er lagt til som vedlegg A i denne bruksanvisningen.

## SIKKERHETSADVARSEL

### Generelle advarsler angående sikkerhet for elektroverktøy

**⚠ ADVARSEL:** Les alle sikkerhetsadvarsler, instruksjoner, illustrasjoner og spesifikasjoner som følger med dette elektroverktøyet. Hvis ikke alle instruksjonene nedenfor følges, kan det forekomme elektrisk støt, brann og/eller alvorlig skade.

### Oppbevar alle advarsler og instruksjoner for senere bruk.

Uttrykket «elektrisk verktøy» i advarslene refererer både til elektriske verktøy (med ledning) tilkoblet strømmnett, og batteridrevne verktøy (uten ledning).

### Sikkerhetsadvarsler for den batteridrevne borskrutrekkeren

1. **Bruk hjelpehåndtak, hvis det (de) følger med maskinen.** Hvis maskinen kommer ut av kontroll, kan det resultere i helseskader.
2. **Hold maskinen i det isolerte håndtaket når skjæreverktøyet kan komme i kontakt med skjulte ledninger under arbeidet.** Hvis kuttetilbehøret kommer i kontakt med «strømførende» ledninger, kan ikke isolerte metalldeleler i maskinen bli «strømførende» og kunne gi brukeren elektrisk støt.

3. **Hold maskinen i det isolerte håndtaket når festemidlet kan komme i kontakt med skjulte ledninger under arbeidet.** Hvis skruer eller bolter kommer i kontakt med en «strømførende» ledning, kan metalldelene på det elektriske verktøyet bli «strømførende» og føre til at brukeren får støt.
4. **Pass på at du har godt fotfeste.** Forviss deg om at ingen står under deg når du jobber høyt over bakken.
5. **Hold godt fast i verktøyet.**
6. **Hold hendene unna roterende deler.**
7. **Ikke gå fra verktøyet mens det er i gang.** Verktøyet må bare brukes mens operatøren holder det i hendene.
8. **Ikke berør bor eller arbeidsstykke umiddelbart etter bruk.** Disse vil da være ekstremt varme, og du kan få brannskår.
9. **Enkelte materialer inneholder kjemikalier som kan være giftige.** Treff tiltak for å hindre hudkontakt og innånding av støv. Følg leverandørens sikkerhetsanvisninger.

## TA VARE PÅ DISSE INSTRUKSENE.

**⚠ADVARSEL:** IKKE LA hensynet til hva som er "behagelig" eller det faktum at du kjenner produktet godt (etter mange gangers bruk) gjøre deg mindre oppmerksom på sikkerhetsreglene for bruken av det aktuelle produktet. Ved MISBRUK eller hvis ikke sikkerhetsreglene i denne bruksanvisningen følges, kan det oppstå alvorlig personskade.

### Viktige sikkerhetsanvisninger for batteriinnsetts

1. Før du begynner å bruke batteriet, må du lese alle anvisninger og forsiktighetsregler på (1) batteriladeren, (2) batteriet og (3) det produktet batteriet skal brukes i.
2. Ikke ta fra hverandre batteriet.
3. Hvis driftstiden er blitt vesentlig kortere, må du omgående slutte å bruke maskinen. Hvis ikke kan resultatet bli overoppheting, mulige forbrenninger eller til og med en eksplosjon.
4. Hvis du får elektrolytt i øynene, må du skylle dem med store mengder rennende vann og oppsøke lege med én gang. Denne typen uhell kan føre til varig blindhet.
5. Ikke kortslutt batteriet:
  - (1) De kan være ekstremt varme og du kan brenne deg.
  - (2) Ikke lagre batteriet i samme beholder som andre metallgjenstander, som for eksempel spiker, mynter osv.
  - (3) Ikke la batteriet komme i kontakt med vann eller regn.

En kortslutning av batteriet kan føre til et kraftig strømstøt, overoppheting, mulige forbrenninger og til og med til at batteriet går i stykker.

6. Ikke lagre maskinen og batteriet på steder hvor temperaturen kan komme opp i eller overskride 50 °C.
7. Ikke sett fyr på batteriet, ikke engang om det er sterkt skadet eller helt utslitt. Batteriet kan eksplodere hvis det begynner å brenne.
8. Vær forsiktig så du ikke mister batteriet eller utsetter det for slag.
9. Ikke bruk batterier som er skadet.
10. Lithium-ion-batteriene som medfølger er gjenstand for krav om spesialavfall.

For kommersiell transport, f.eks av tredjeparter eller speditører, må spesielle krav om pakking og merking følges. Før varen blir sendt, må du forhøre deg med en ekspert på farlig materiale. Ta også hensyn til muligheten for mer detaljerte nasjonale bestemmelser. Bruk teip eller maskeringsteip for å skjule åpne kontakter og pakk inn batteriet på en slik måte at den ikke kan bevege seg rundt i emballasjen.

11. Følg lokale bestemmelser for avhending av batterier.

## TA VARE PÅ DISSE INSTRUKSENE.

**⚠FORSIKTIG:** Bruk kun originale Makita-batterier. Bruk av batterier som har endret seg, eller som ikke er originale Makita-batterier, kan føre til at batteriet sprekker og forårsaker brann, personskader og andre skader. Det vil også ugyldiggjøre garantien for Makita-verktøyet og -laderen.

## Tips for å opprettholde maksimal batterilevetid

1. Lad batteriinnsettsen før den er helt utladet. Stopp alltid driften av verktøyet og lad batteriinnsettsen når du merker at effekten reduseres.
2. Lad aldri en batteriinnsetts som er fulladet. Overopplading forkorter batteriets levetid.
3. Lad batteriet i romtemperatur ved 10 °C - 40 °C. Et varmt batteri må kjøles ned før lading.

## FUNKSJONSBEKRIVELSE

**⚠FORSIKTIG:** Forviss deg alltid om at maskinen er slått av og batteriet tatt ut før du justerer maskinen eller kontrollerer dens mekaniske funksjoner.

### Sette inn eller ta ut batteri

**⚠FORSIKTIG:** Slå alltid av verktøyet før du setter inn eller fjerner batteriet.

**⚠FORSIKTIG:** Hold verktøyet og batteripatronen i et fast grep når du monterer eller fjerner batteripatronen. Hvis du ikke holder verktøyet og batteripatronen godt fast, kan du miste grepet, og dette kan føre til skader på verktøyet og batteripatronen samt personskader.

► Fig. 1: 1. Knapp 2. Batteriinnsetts

Når du skal ta ut batteriet, må du trekke det ut av verktøyet mens du trykker på knappene på begge sider av batteriet.

Når du skal sette inn batteriet, må du plassere tungen på batteriet på linje med sporet i huset og skyve batteriet på plass.

**⚠FORSIKTIG:** Batteriet må skyves inn til det går i inngrep med et lite klikk. Hvis dette ikke gjøres, kan batteriet falle ut av verktøyet og skade deg eller andre som oppholder seg i nærheten.

**⚠FORSIKTIG:** Ikke bruk maskin når du setter i batteriet. Hvis batteriet ikke glir lett inn, er det fordi det ikke settes inn på riktig måte.

## Batteribeskyttelsessystem

Verktøyet er utstyrt med et batterivernsystem. Dette systemet slår automatisk av strømmen til motoren for å forlenge batteriets levetid.

Verktøyet stopper automatisk under drift hvis det og/eller batteriet utsettes for følgende tilstand:

### Lav batterispenning:

Gjenværende batterikapasitet er for lav og verktøyet vil ikke fungere. Når du starter verktøyet, starter motoren, men den stopper like etterpå. I dette tilfellet, fjern og lad batteriet opp igjen.

## Sperreknapp

**⚠FORSIKTIG:** Når du ikke skal bruke verktøyet lenger, må du alltid sette sperrehendelen i låst stilling B.

► Fig.2: 1. Sperreknapp

Når sperrehendelen står i låst stilling B, kan ikke bryteren brukes.

Når sperrehendelen står i ulåst stilling A, kan bryteren brukes.

## Bryterfunksjon

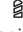

**⚠FORSIKTIG:** Før du setter batteriet i verktøyet, må du kontrollere at bryteren beveger seg riktig og går tilbake til stillingen "AV" når du slipper den.

**⚠FORSIKTIG:** Før arbeidet begynner, må du alltid kontrollere rotasjonsretningen.

► Fig.3: 1. Sperreknapp 2. Bryter

## Justere tiltrekkingsmomentet

► Fig.5: 1. Justeringsring 2. Gradinndeling 3. Pål

Tiltrekkingsmomentet kan justeres i 22 nivåer ved å dreie justeringsringen. Rett inn gradinndelingen med pila på verktøykroppen. Du oppnår minimum tiltrekkingsmoment i posisjon 1 og maksimalt dreiemoment ved -merket. Clutchen vil slure på forskjellige momentnivåer når den er innstilt på nummer 1 til 21. Kløtsjen fungerer ikke ved -merking.



Før den faktiske arbeidsoperasjonen skal utføres, må du skru inn en prøveskrue i materialet ditt eller i et materiale av samme type, for å finne ut hvilket dreiemoment som kreves for et bestemt bruksområde.

**MERK:** Informasjon om forholdet mellom tallet for dreiemomentet og skruerhastigheten finnes i diagrammet nedenfor.

Skruerhastigheten vil være ulik for ulike materialer. Utfør en prøveskrue for å stille inn ønsket dreiemoment før bruk.

### Veiledning for automatisk stopp av clutchen

Arbeidsområde for automatisk stopp av clutchen		Trinn for skruerhastighetens justeringsring	Tiltrekkingsmoment
Høy	Lav		
✓	✓	1	Ca. 0,3 N•m (ca. 3 kgf•cm)
✓	✓	5	Ca. 0,82 N•m (ca. 8,4 kgf•cm)
✓	✓	9	Ca. 1,35 N•m (ca. 13,8 kgf•cm)
-	✓	13	Ca. 1,88 N•m (ca. 19,2 kgf•cm)
-	✓	17	Ca. 2,41 N•m (ca. 24,6 kgf•cm)

Når du vil starte verktøyet, må du først flytte sperrehendelen til ulåst stilling A for å frigjøre bryteren. Deretter trykker du ganske enkelt på bryteren på  C-siden for å velge rotasjon med klokken og  D-siden for å velge rotasjon mot klokken. Slipp bryteren for å stoppe verktøyet.

**OBS:** Ikke endre rotasjonsretning før verktøyet har stoppet helt. Hvis du endrer rotasjonsretningen før verktøyet har stoppet, kan det bli ødelagt.

## Turtallsending

► Fig.4: 1. Hastighetsvelger


**⚠FORSIKTIG:** Hastighetsvelgeren må alltid settes i helt riktig posisjon. Hvis du bruker maskinen med hastighetsvelgeren innstilt på et punkt midt mellom posisjon «1» og «2», kan maskinen bli ødelagt.

**⚠FORSIKTIG:** Ikke bruk hastighetsvelgeren mens verktøyet er i bruk. Dette kan skade verktøyet.

Hastighetsvelgerens posisjon	Hastighet	Moment	Aktuell drift
1	Lav	Høy	Drift med tung last
2	Høy	Lav	Drift med lett last

Slå av verktøyet for å endre hastighet. Velg posisjon «2» for høy hastighet eller posisjon «1» for lav hastighet med høyt dreiemoment. Forviss deg om at hastighetsvelgeren er i riktig posisjon før du tar i bruk maskinen. Hvis hastigheten på verktøyet reduseres betydelig under drift i posisjon «2», skyv velgeren til posisjon «1» og start operasjonen på nytt.



Arbeidsområde for automatisk stopp av clutchen		Trinn for skrukehastighetens justeringsring	Tiltrekkingmoment
Høy	Lav		
-	✓	21	Ca. 2,9 N•m (ca. 30 kgf•cm)
-	-		Ved lavt turtall, ca. 8 N•m (ca. 81,6 kgf•cm)
-	-		Ved høyt turtall, ca. 1,5 N•m (ca. 14,7 kgf•cm)

Når du skrur inn maskinskruer	Trinn	Veiledning for maskinskruediameter
	1 - 3	2,5 mm
	4 - 8	3 mm
	9 - 18	4 mm
	19 - 21	5 mm

## Tenne frontlampen

**⚠FORSIKTIG:** Ikke se inn i lyset eller se direkte på lyskilden.

Hvis du vil slå på lampen, må du skyve lysbryteren til stilling A. Hvis du vil slå av lampen, må du skyve lysbryteren til stilling B. Selv om du lar lampen stå på, vil det automatisk slås av etter 5 minutter.

► **Fig.6:** 1. Lampebryter 2. Lampe

**MERK:** Hvis batteriet holder på å gå tomt under bruk, vil lampen begynne å blinke.

Du må da lade batteriet på nytt eller erstatte det med et fulladet batteri.

## MONTERING

**⚠FORSIKTIG:** Forviss deg alltid om at maskinen er slått av og batteriet tatt ut før du utfører noe arbeid på maskinen.

### Montere eller demontere skrutrekkerbor eller hulbor

► **Fig.7**

Bruk bare skrutrekkerbor eller hulbor som har åpningsdimensjoner som vist i figuren. Ikke bruk andre skrutrekkerbor/hulbor.

**For verktøy med grunt skrutrekkerborehull**

A= 12 mm B= 9 mm	Bruk bare denne typen skrutrekkerbor. Følg fremgangsmåte 1. (Merk) det er ikke nødvendig med bordelen.
---------------------	--

**For verktøy med dypt skrutrekkerborehull**

A= 17 mm B= 14 mm	Du installerer disse skrutrekkerborene ved å følge fremgangsmåte 1.
A= 12 mm B= 9 mm	Du installerer disse skrutrekkerborene ved å følge fremgangsmåte 2. (Merk) Du trenger bordelen for å installere boret.

## Fremgangsmåte 1

► **Fig.8:** 1. Skrutrekkerbor 2. Hylse

Hvis du vil montere skrutrekkerboret må du dra hylsen i pilretningen og sette skrutrekkerboret så langt inn i hylsen som mulig.

Deretter fjerner du hylsen for å feste skrutrekkerboret.

## Fremgangsmåte 2

I tillegg til fremgangsmåte 1 setter du bits-delen inn i kjoksen med den spisse enden pekende innover.

► **Fig.9:** 1. Skrutrekkerbor 2. Bits-del 3. Hylse

For å demontere skrutrekkerboret må du dra hylsen i pilretningen og dra skrutrekkerboret ut.

**MERK:** Hvis skrutrekkerboret ikke settes langt nok inn i hylsen, går ikke hylsen tilbake til utgangsposisjon og skrutrekkerboret sikres ikke. I slike tilfeller må du prøve å sette inn bitset på nytt i henhold til instruksene over.

**MERK:** Når skrutrekkerboret er satt inn, må du forsikre deg om at det sitter godt. Hvis det faller ut, må du ikke bruke det.

## BRUK

**⚠FORSIKTIG:** Når du skal bøye verktøyet for bruk i pistol-form eller rette det opp for rettvendt bruk, må du ikke holde i den bøyelige delen av verktøyet. Hvis du gjør det, kan hånden og fingrene klemmes og skades av denne delen.

Verktøyet kan brukes på to måter – enten i rett form eller i pistolform – som kan velges i henhold til forholdene på arbeidsplassen og for skruing.

► **Fig.10:** 1. Rett form 2. Pistolform

## Skrutrekkerfunksjon

**⚠FORSIKTIG:** Bruk justeringsringen til å stille inn korrekt momentnivå for den jobben du skal gjøre.


**⚠FORSIKTIG:** Pass på at skrutrekkerbitset er satt rett ned i skruhodet, ellers kan skruen og/eller skrutrekkerboret bli skadet.

Plasser spissen av boret i skruhodet og bruk trykk på verktøyet. Start verktøyet sakte. Øk hastigheten gradvis. Slipp opp startbryteren når clutchen slår inn.

► Fig.11

**MERK:** Når du skrur inn en treskrue, må du forhånds bore et pilothull på 2/3 av skrueens diameter. Dette gjør det enklere å skru inn skruen, og hindrer at treverket sprekker.

## Borfunksjon

Vri først justeringsringen slik at pilen peker mot -merket. Fortsett deretter som følger.

### Bore i tre

Når du borer i tre, blir resultatene best med trebor som er utstyrt med en ledeskruer. Ledeskruen forenkler boringen ved at den trekker skrutrekkerboret inn i arbeidsstykket.

### Bore i metall

For at ikke skrutrekkerboret skal gli når du begynner å bore, må du lage en fordypning med en dor og en hammer der hullet skal bores. Sett spissen av skrutrekkerboret i fordypningen og begynn å bore. Bruk en skjærevæske når du borer i metall. Unntakene er jern og messing som skal bores tørt.

**⚠FORSIKTIG:** Hvis du bruker for mye kraft på verktøyet, vil det ikke øke borehastigheten. Overdreven bruk av kraft vil tvert imot kunne bidra til å ødelegge spissen av skrutrekkerboret, redusere verktøyeffekten og forkorte verktøyet levetid.

**⚠FORSIKTIG:** Hold verktøyet i et fast grep, og vær forsiktig når skrutrekkerboret begynner å bryte gjennom arbeidsstykket. I gjennombruddsøyeblikket virker det en enorm kraft på verktøyet/skrutrekkerboret.

**⚠FORSIKTIG:** Et skrutrekkerbor som sitter fast kan fjernes hvis du setter reversbryteren til motsatt rotasjonsretning, så verktøyet kan bakke ut. Verktøyet kan imidlertid komme brått ut hvis du ikke holder det i et fast grep.


**⚠FORSIKTIG:** Arbeidsstykker må alltid festes med en skrustikke eller en liknende festeanordning.

**⚠FORSIKTIG:** Hvis verktøyet brukes kontinuerlig inntil batteriet er utladet, må du la verktøyet hvile i 15 minutter før du fortsetter med et nytt batteri.

## Bruke verktøyet som manuell skrutrekker

► Fig.12

Slå av verktøyet.

Flytt sperreknappen til låst stilling .

Snu verktøyet.

**OBS:** Bruk verktøyet med en skruerhastighet mindre enn 5 N•m (50 kgf•cm).

**OBS:** Ikke bruk verktøyet til arbeid som krever stor kraft, som f.eks. stramming av skruer med dimensjon M6 eller større enn M6, eller fjerning av rustne skruer.

**MERK:** Slik bruk er nyttig ved kontroll av skruingen.

## VEDLIKEHOLD

**⚠FORSIKTIG:** Forviss deg alltid om at maskinen er slått av og batteriet tatt ut før du foretar inspeksjon eller vedlikehold.

**OBS:** Aldri bruk gasolin, bensin, tynner alkohol eller lignende. Det kan føre til misfarging, deformering eller sprekke dannelse.

For å opprettholde produktets SIKKERHET og PÅLITELIGHET, må reparasjoner, vedlikehold og justeringer utføres av autoriserte Makita servicesentre eller fabrikk servicesentre, og det må alltid brukes reservedeler fra Makita.

## VALGFRITT TILBEHØR

**⚠FORSIKTIG:** Det anbefales at du bruker dette tilbehøret eller verktøyet sammen med den Makita-maskinen som er spesifisert i denne håndboken. Bruk av annet tilbehør eller verktøy kan forårsake personskader. Tilbehør og verktøy må kun brukes til det formålet det er beregnet på.

Ta kontakt med ditt lokale Makita-servicesenter hvis du trenger mer informasjon om dette tilbehøret.

- Bor
- Skrutrekkerbor
- Hulbor
- Bits-del
- Verktøykoffert av plast
- Makita originalbatteri og lader

**MERK:** Enkelte elementer i listen kan være inkludert som standardtilbehør i verktøypakken. Elementene kan variere fra land til land.

## TEKNISET TIEDOT

Malli:	DF012D	
Porauskapasiteetti	Teräs	5 mm
	Puu	6 mm
Kiinnityskapasiteetti	Puuruuvi	ø3,8 mm x 45 mm
	Koneruuvi	M5
Kuormittamaton kierrosnopeus	Korkea (2)	650 min <sup>-1</sup>
	Matala (1)	200 min <sup>-1</sup>
Kokonaispituus	Suoratyyppisessä käytössä	273 mm
	Pistoolityypisessä käytössä	218 mm
Nimellisjännite	DC 7,2 V	
Akkupaketti	BL0715	
Nettopaino	0,53 kg	

- Jatkuvasta tutkimus- ja kehitystyöstämme johtuen esitetyt tekniset tiedot saattavat muuttua ilman erillistä ilmoitusta.
- Tekniset tiedot ja akkupaketti voivat vaihdella maittain.
- Paino akku mukaan lukien EPTA-menettelytavan 01/2014 mukaan

### Käyttötarkoitus

Työkalu on tarkoitettu puun, metallin ja muovin poraamiseen ja ruuvaamiseen.

### Melutaso

Tyyppillinen A-painotettu melutaso määräytyy standardin EN60745 mukaan:

Äänenpainetaso ( $L_{pA}$ ) : 70 dB (A) tai vähemmän  
Virhemarginaali (K): 3 dB (A)

Työskentelyn aikana melutaso voi ylittää 80 dB (A).

**VAROITUS:** Käytä kuulosuojaimia.

### Tärinä

Kokonaistärinä (kolmen akselin vektorien summa)

määräytyy standardin EN60745 mukaan:

Työtila: metalliin poraus

Tärinäpäästö ( $a_{h,D}$ ) : 2,5 m/s<sup>2</sup> tai alhaisempi

Virhemarginaali (K): 1,5 m/s<sup>2</sup>

**HUOMAA:** Ilmoitettu tärinäpäästöarvo on mitattu standarditestausmenetelmän mukaisesti, ja sen avulla voidaan vertailla työkaluja keskenään.

**HUOMAA:** Ilmoitettua tärinäpäästöarvoa voidaan käyttää myös altistumisen alustavaan arviointiin.

**VAROITUS:** Työkalun käytön aikana mitattu todellinen tärinäpäästöarvo voi poiketa ilmoitetusta tärinäpäästöarvosta työkalun käyttötavan mukaan.

**VAROITUS:** Selvitä käyttäjän suojaamiseksi tarvittavat varoitimet todellisissa käyttöolosuhteissa tapahtuvan arvioidun altistumisen mukaisesti (ottaen huomioon käyttöajako kokonaisuudessaan, myös jaksot, joiden aikana työkalu on sammutettuna tai käy tyhjäkäynnillä).

### EY-vaatimustenmukaisuusvakuutus

*Koskee vain Euroopan maita*

EY-vaatimustenmukaisuusvakuutus on liitetty tähän käyttöoppaaseen.

## TURVAVAROITUKSET

### Sähkötyökalujen käyttöä koskevat yleiset varoitukset

**VAROITUS:** Tutustu kaikkiin tämän sähkötyökalun mukana toimitettuihin varoituksiin, ohjeisiin, kuviin ja teknisiin tietoihin. Seuraavassa lueteltujen ohjeiden noudattamatta jättäminen saattaa johtaa sähköiskuun, tulipaloon tai vakavaan vammautumiseen.

### Säilytä varoitukset ja ohjeet tulevaa käyttöä varten.

Varoituksissa käytettävällä termillä "sähkötyökalu" tarkoitetaan joko verkkovirtaa käyttävää (johdollaista) työkalua tai akkukäyttöistä (johdotonta) työkalua.

### Akkuporakoneen turvavaroitukset

1. **Käytä työkalun mukana mahdollisesti toimitettua lisäkahvaa tai-kahvoja.** Hallinnan menetys voi aiheuttaa henkilövahinkoja.
2. **Kun suoritat toimenpidettä, jossa leikkaustyökalu voi joutua kosketukseen piilossa olevien johtojen kanssa, pidä kiinni työkalusta sen eristetyn tarttumispinnan kohdalta.** Jos leikkaustyökalu joutuu kosketukseen jännitteisen johdon kanssa, jännite voi siirtyä työkalun sähköä johtaviin metalliosiin ja aiheuttaa käyttäjälle sähköiskun.

- Pitele sähkötyökalua sen eristetyistä tartunta-pinnasto silloin, kun on mahdollista, että kiinnitystarvikke saattaa osua pilossa oleviin johtoihin.** Kiinnitystarvikkeen osuminen jännitteeseen johtoon voi johtaa jännitteen työkalun sähköä johtaviin metalliosiin ja aiheuttaa käyttäjälle sähköiskun.
- Seiso aina tukevassa asennossa.** Varmista korkealla työskennellessäsi, että ketään ei ole alapuolella.
- Ota koneesta luja ote.**
- Pidä kädet loitolla pyörivistä osista.**
- Älä jätä konetta käymään itseksen.** Käytä laitetta vain silloin, kun pidät sitä kädessä.
- Älä kosketa terää tai työkalupäätä välittömästi käytön jälkeen, sillä ne voivat olla erittäin kuumia ja aiheuttaa palovammoja.**
- Jotkin materiaalit sisältävät kemikaaleja, jotka voivat olla myrkyllisiä.** Huolehdi siitä, että pölyn sisäänhengittäminen ja ihotoketus estetään. Noudata materiaalin toimittajan turvaohjeita.

## SÄILYTÄ NÄMÄ OHJEET.

**VAROITUS:** ÄLÄ anna työkalun helppokäyttöisyyden (toistuvan käytön aikaansaama) johtaa sinua väärään turvallisuuden tunteeseen niin, että laiminlyöt työkalun turvaohjeiden noudattamisen. **VÄÄRINKÄYTTÖ** tai tässä käyttöohjeessa ilmoitettujen turvamääräysten laiminlyönti voi aiheuttaa vakavia henkilövahinkoja.

## Akkupakettia koskevia tärkeitä turvaohjeita

- Ennen akun käyttöönottoa tutustu kaikkiin laturissa (1), akussa (2) ja akkukäyttöisessä tuotteessa (3) oleviin varoitusteksteihin.**
- Älä pura akkua.**
- Jos akun toiminta-aika lyhenee merkittävästi, lopeta akun käyttö.** Seurauksena voi olla ylikuumentuminen, palovammoja tai jopa räjähdys.
- Jos akkunestettä pääsee silmiin, huuhtele puhtaalla vedellä ja hakeudu välittömästi lääkärin hoitoon.** Akkuneste voi aiheuttaa näön menetyksen.
- Älä oikosulje akkua.**
  - Älä koske akun napoihin millään sähköä johtavalla materiaalilla.**
  - Vältä akun oikosulkemista äläkä säilytä akkua yhdessä muiden metalliesineiden, kuten naulojen, kolikoiden ja niin edelleen kanssa.**
  - Älä aseta akkua alttiiksi vedelle tai sateelle.** Oikosulku voi aiheuttaa virtapiikkiin, ylikuumentumista, palovammoja tai laitteen rikkoutumisen.
- Älä säilytä työkalua ja akkua paikassa, jossa lämpötila voi nousta 50 °C:een tai sitäkin korkeammaksi.**
- Älä hävitä akkua polttamalla, vaikka se olisi pahoin vaurioitunut tai täysin loppuun kulunut.** Avotuli voi aiheuttaa akun räjähtämisen.
- Varo kolhimasta tai pudottamasta akkua.**
- Älä käytä viallista akkua.**
- Sisältyviä litium-ioni-akkuja koskevat vaarallisten aineiden lainsäädännön vaatimukset.** Esimerkiksi kolmansien osapuolten huolintaliikenteiden tulee kaupallisissa kuljetuksissa noudattaa pakkaamista ja merkintöjä koskevia erityisvaatimuksia.

Lähetettävän tuotteen valmistelu edellyttää vaarallisten aineiden asiantuntijan neuvontaa. Huomioi myös mahdollisesti yksityiskohtaisemmat kansalliset määräykset Akun avoimet liittimet tulee suojata teipillä tai suojuksella ja pakkaaminen tulee tehdä niin, ettei akku voi liikkua pakkauksessa.

## 11. Hävitä akku paikallisten määräysten mukaisesti. SÄILYTÄ NÄMÄ OHJEET.

**HUOMIO:** Käytä vain alkuperäisiä Makita-akkuja. Muiden kuin aitojen Makita-akkujen, tai mahdollisesti muutettujen akkujen käyttö voi johtaa akun murtumiseen ja aiheuttaa tulipaloja, henkilö- ja omaisuusvahinkoja. Se mitätöi myös Makita-työkalun ja -laturin Makita-takuun.

## Vihjeitä akun käyttöäin pidentämiseksi

- Lataa akku ennen kuin se purkautuu täysin.** Lopeta aina työkalun käyttö ja lataa akku, jos huomaat työkalun tehon vähenävän.
- Älä koskaan lataa uudestaan täysin ladattua akkua.** Yliilataaminen lyhentää akun käyttöikää.
- Lataa akku huoneen lämpötilassa välillä 10 °C - 40 °C.** Anna kuumen akun jäähtyä ennen lataamista.

## TOIMINTOJEN KUVAUS

**HUOMIO:** Varmista aina ennen säätöjä ja tarkastuksia, että työkalu on sammutettu ja akkupaketti irrotettu.

## Akun asentaminen tai irrottaminen

**HUOMIO:** Sammuta työkalu aina ennen akun kiinnittämistä tai irrottamista.

**HUOMIO:** Pidä työkalusta ja akusta tiukasti kiinni, kun irrotat tai kiinnität akkua. Jos akkupaketti tai työkalu putoaa, ne voivat vaurioitua tai aiheuttaa tapaturman.

► **Kuva1:** 1. Painike 2. Akkupaketti

Irrota akku vetämällä sitä työkalusta samalla, kun painat akun kummallakin sivulla olevaa painiketta.

Akku liitetään sovitamalla akun kieleke rungon uraan ja työntämällä se sitten paikoilleen.

**HUOMIO:** Työnnä akku pohjaan asti niin, että kuulet sen napsahtavan paikoilleen. Jos akku ei ole kunnolla paikallaan, se voi pudota työkalusta ja aiheuttaa vammoja joko sinulle tai sivullisille.

**HUOMIO:** Älä käytä voimaa akun asennuksessa. Jos akku ei liu'u paikalleen helposti, se on väärässä asennossa.

## Akun suojausjärjestelmä

Työkalu on varustettu akun suojausjärjestelmällä. Tämä järjestelmä pidentää akun käyttöikää katkaisemalla moottorin virran automaattisesti.

Työkalu pysähtyy automaattisesti kesken käytön, jos työkalussa tai akussa ilmenee jokin seuraavista tilanteista:

## Alhainen akun jännite:

Akun varaus on liian alhainen eikä riitä työkalun käyttämiseen. Jos kytket työkalun päälle, moottori alkaa toimia, mutta pysähtyy pian. Irrota tässä tilanteessa akku ja lataa se.

## Lukitusvipu

**▲HUOMIO:** Kun laitetta ei käytetä, käännä lukitusvipu aina lukitusasentoon B.

► **Kuva2:** 1. Lukitusvipu

Kun lukitusvipu on lukittuna asennossa B, kytkintä ei voi käyttää.

Kun lukitusvipu on lukitsemattomana asennossa A, kytkintä voi käyttää.

## Kytkimen käyttäminen

**▲HUOMIO:** Varmista ennen akun asentamista laitteeseen, että kytkin toimii oikein ja palautuu "OFF"-asentoon, kun se vapautetaan.

**▲HUOMIO:** Tarkista aina pyörimissuunta ennen käyttöä.

► **Kuva3:** 1. Lukitusvipu 2. Kytkin

Aloita laitteen käyttö siirtämällä lukitusvipu lukitsemattomaan asentoon A kytkimen vapauttamiseksi. Laitteen käynnistämiseksi myötöpäivään, ⇐ paina C-puolen kytkintä. ⇨ D-puolen kytkimestä laite käynnistyy vastapäivään. Pysäytä liike vapauttamalla kytkin.

## Kiinnitysvääntömomentin säätäminen

► **Kuva5:** 1. Säästörengas 2. Asteikko 3. Nuoli

Kiinnitysvääntömomenttia voi säätää 22 tasoon säästörengasta kiertämällä. Kierrä haluamasi asetus työkalun rungossa olevan nuolen kohdalle. Saat pienimmän kiinnitysvääntömomentin käyttäessäsi asetusta 1 ja suurinta asetusta 21 -merkki.

Kytkin liukuu erilaisten momenttitasojen välillä, kun se on asetettu välille 1 - 21. Kytkin ei toimi 21 -merkin kohdalla.

Ennen varsinaisen työn suorittamista, ruuvaa koeruuvi materiaaliin tai kaksinkertaiseen materiaalikappaleeseen määrittäaksesi sen, mikä momenttitaso sopii määrättyyn sovellukseen.

**HUOMAA:** Seuraavassa kaaviossa on kuvattu kiristysmomenttiasetuksen numeron ja kiristysmomenttiarvon välinen suhde.

Kiristysmomenttiarvo voi vaihdella materiaalin mukaan. Tarkista oikea kiristysmomentti koekiristyksellä.

## Ohjeet kytkimen automaattiseen pysäytykseen

Kytkimen automaattisen pysäytyksen käyttöalue		Säästörengaan nousu kiristysmomentille	Kiristysmomentti
Korkea	Alhainen		
✓	✓	1	Noin 0,3 N•m (Noin 3 Kgf•cm)
✓	✓	5	Noin 0,82 N•m (Noin 8,4 Kgf•cm)
✓	✓	9	Noin 1,35 N•m (Noin 13,8 Kgf•cm)
-	✓	13	Noin 1,88 N•m (Noin 19,2 Kgf•cm)
-	✓	17	Noin 2,41 N•m (Noin 24,6 Kgf•cm)
-	✓	21	Noin 2,9 N•m (Noin 30 Kgf•cm)

**HUOMAUTUS:** Vaihda suunta vasta sen jälkeen, kun työkalu on lakannut kokonaan pyörimästä ja on täysin pysähtynyt. Pyörimissuunnan vaihto koneen vielä pyöriessä voi vahingoittaa sitä.

## Nopeuden muuttaminen

► **Kuva4:** 1. Nopeudenvaihtovipu


**▲HUOMIO:** Siirrä nopeudenvaihtokytkin aina täysin oikeaan asentoon. Jos käytät työkalua niin, että nopeudenvaihtovipu on asentojen "1" ja "2" puolivälissä, työkalu voi rikkoutua.

**▲HUOMIO:** Älä koske nopeudenvaihtovipuun, kun työkalu on käynnissä. Työkalu voi rikkoutua.

Nopeudenvaihtovivun asento	Nopeus	Vääntömomentti	Soveltuva käyttö
1	Matala	Korkea	Raskas kuormituskäyttö
2	Korkea	Matala	Kevyt kuormituskäyttö

Kun haluat muuttaa nopeutta, katkaise ensin työkalusta virta. Valitse puoli "2" suurelle nopeudelle tai "1" alhaiselle nopeudelle mutta suurelle vääntömomentille. Varmista ennen käyttöä, että nopeudenvaihtovipu on halutussa asennossa.

Jos työkalun nopeus pienenee huomattavasti, kun sitä käytetään asennossa "2", siirrä vipu asentoon "1" ja aloita käyttö uudelleen.

Kytkimen automaattisen pysäytyksen käyttöalue		Säätörenkaan nousu kirstysmomentille	Kirstysmomentti
Korkea	Alhainen		
-	-		Alhaisella nopeudella noin 8 N•m (Noin 81,6 Kgf•cm)
-	-		Korkealla nopeudella noin 1,5 N•m (Noin 14,7 Kgf•cm)

Käytettäessä koneruuveja	Nousut	Ohjeet koneruuvien halkaisijalle
	1 - 3	2,5 mm
	4 - 8	3 mm
	9 - 18	4 mm
	19 - 21	5 mm

## Etulampun sytyttäminen

**⚠HUOMIO:** Älä katso suoraan lampuun tai valonlähteeseen.

Sytytä lamppu siirtämällä lampun kytkin asentoon A. Sammuta lamppu siirtämällä lampun kytkin asentoon B. Jos lamppu jätetään palamaan, valo sammuu automaattisesti 5 minuutin kuluttua.

► **Kuva6:** 1. Lampun kytkin 2. Lamppu

**HUOMAA:** Lamppu vilkkuu käytön aikana akun varauksen ollessa lähes lopussa.

Lataa akku tässä tilanteessa tai vaihda tilalle täyteen ladattu akku.

## KOKOONPANO

**⚠HUOMIO:** Varmista aina ennen mitään työkalulle tehtäviä toimenpiteitä, että se on sammutettu ja akku irrotettu.

## Ruuvauskärjen/kärkipalan asentaminen tai irrottaminen

► **Kuva7**

Käytä vain ruuvauskärkeä tai istukkakärkeä, joissa on kuvan mukaiset kiinnityskohdat. Älä käytä mitään muunlaista ruuvauskärkeä tai istukkakärkeä.

**Työkaluille, joissa on matala kärkiaukko**

A=12mm B=9mm	Käytä vain tämäntyyppisiä ruuvauskärkiä. Seuraa toimintatapaa 1. (Huom.) Kärkipala ei ole välttämätön.
-----------------	--

**Työkaluille, joissa on matala ruuvauskärjen aukko**

A=17mm B=14mm	Tämäntyyppisiä ruuvauskärkiä käytettäessä seuraa toimintatapaa 1.
A=12mm B=9mm	Tämäntyyppisiä ruuvauskärkiä käytettäessä seuraa toimintatapaa 2. (Huom.) Kärkipala on välttämätön kärjen asentamiseksi.

## Tapa 1

► **Kuva8:** 1. Ruuvauskärki 2. Holkki

Ruuvauskärjen asentamiseksi vedä holkkia nuolen osoittamaan suuntaan ja aseta pää holkkiin niin pitkälle, kuin se menee.

Vapauta sitten holkki varmistaaksesi ruuvauskärjen.

## Tapa 2

Edellä **tavassa 1** mainitun ohjeen lisäksi työnnä teräkappale holkkiin terävä pää sisäänpäin.

► **Kuva9:** 1. Ruuvauskärki 2. Kärkikappale 3. Holkki

Vedä holkkia nuolen osoittamaan suuntaan kärjen irrottamiseksi ja vedä ruuvauskärki ulos.

**HUOMAA:** Jos ruuvauskärkeä ei ole asennettu holkkiin tarpeeksi syväälle, holkki ei palaa alkuperäiseen asentoonsa eikä ruuvauskärkeä ole varmistettu. Yritä tässä tapauksessa asentaa ruuvauskärki uudelleen yllä mainittujen ohjeiden mukaan.

**HUOMAA:** Varmista kärjen kiinnityksen pitävyyden kiinnittämisen jälkeen. Jos kärki ei pysy paikallaan, älä käytä sitä.

## TYÖSKENTELY

**⚠HUOMIO:** Työkalua taivutettaessa pistoolityyppiseen käyttöön tai oikaistaessa suoratyypiseen käyttöön, älä pidä työkalun taivutettavasta osasta kiinni. Tämän ohjeen laiminlyönti voi aiheuttaa kätesi ja sormesi puristumisen ja vahingoittumisen tällä alueella.

Työkalua voidaan käyttää kahdella tavalla: suora- ja pistoolityyppisenä, jotka ovat valittavissa työpaikan olosuhteiden ja ruuvauskäytön mukaan.

► **Kuva10:** 1. Suoratyyppinen käyttö  
2. Pistoolityyppinen käyttö

## Ruuvaaminen

**▲HUOMIO:** Säädä kiristysmomentti sopivaksi säätörengan avulla.


**▲HUOMIO:** Varmista, että ruuvauskärjen pää on suorassa kulmassa ruuvin kantaan nähden; muuten ruuvi ja/tai ruuvauskärki voivat vahingoittua.

Aseta ruuvauskärjen pää ruuvin kantaan ja paina kärkeä ruuvia vasten. Käynnistä työkalu varovasti ja lisää nopeutta asteittain. Vapauta liipaisinkytkin heti, kun kytkin alkaa ottaa.

► Kuva11

**HUOMAA:** Kun kiinnität puuruuveja, tee ensin aloitusreikä, jonka halkaisija on 2/3 reiän halkaisijasta. Se helpottaa ruuvaamista ja vähentää työkappaleen halkeamisen vaaraa.

## Poraustoiminta

Käännä ensin säätörengasta niin, että nuoli osoittaa  -merkkiä. Tee sitten näin.

### Puun poraaminen

Puuta porattaessa paras lopputulos saadaan ohjausruuvilla varustetuilla puuterillä. Ohjausruuvi helpottaa poraamista vetämällä poran terää työkappaleeseen.

### Metallin poraaminen

Poran terän syrjään luiskahdamisen ehkäisemiseksi porauksen alussa, tee ensin porauskohtaan pieni kolo punssilla ja vasaralla. Aseta poran kärki koloon ja aloita poraaminen.

Käytä metallia poratessasi leikkuuöljyä. Poikkeuksena ovat rauta ja messinki, joita tulee porata kuivana.

**▲HUOMIO:** Työkalun painaminen liian voimakkaasti ei nopeuta poraamista. Päinvastoin liiallinen paine vain tylsyyttää poran terää, hidastaa työtä ja lyhentää työkalun käyttöikää.

**▲HUOMIO:** Pidä työkalu tukevassa otteessa ja ole varovainen, kun terä alkaa porautua läpi työkappaleesta. Työkaluun/terään kohdistuu valtava voima, kun terä porautuu läpi.

**▲HUOMIO:** Juuttuneen terän voi irrottaa vaihtamalla terän pyörimissuuntaa ja peruuttaa. Pidä kuitenkin työkalusta lujasti kiinni, sillä se voi tökätä taaksepäin äkkinäisesti.


**▲HUOMIO:** Kiinnitä työkappaleet aina viilapenkkiin tai vastaavaan pidikkeeseen.

**▲HUOMIO:** Jos työkalua käytetään jatkuvasti niin pitkään, että akku tyhjenee, anna työkalun seistä 15 minuuttia ennen kuin jatkat työskentelyä uudella akulla.

## Työkalun käyttäminen käsi-ruuvimeisselinä

► Kuva12

Sammuta työkalu.

Siirrä lukitusvipu lukitusasentoon .

Käynnistä työkalu.

**HUOMAUTUS:** Käytä laitetta enintään 5 N•m kiristysmomentilla (50 kgf•cm).

**HUOMAUTUS:** Älä käytä laitetta erittäin suurta kiristysvoimaa vaativiin töihin, kuten M6 -koon tai M6 -koota suurempien pulttien kiristämiseen tai ruosteisten ruuvien avaamiseen.

**HUOMAA:** Tämän käyttö on käytännöllinen ruuvi-meisselin käytön tarkastamiseksi.

## KUNNOSSAPITO

**▲HUOMIO:** Varmista aina ennen tarkastusta tai huoltoa, että työkalu on sammutettu ja akku irrotettu.

**HUOMAUTUS:** Älä koskaan käytä bensiiniä, ohenteita, alkoholia tai tms. aineita. Muutoin pinta voi halkeilla tai sen värit ja muoto voivat muuttua. Muutoin laitteeseen voi tulla värjäytyksiä, muodon vääristymiä tai halkeamia.

Tuotteen TURVALLISUUDEN ja LUOTETTAVUUDEN takaamiseksi korjaukset, muut huoltotyöt ja säädöt on teetettävä Makitan valtuutetussa huoltopisteessä Makitan varaosia käyttäen.

## LISÄVARUSTEET

**▲HUOMIO:** Seuraavia lisävarusteita tai laitteita suositellaan käytettäväksi tässä ohjeessa kuvatun Makita-työkalun kanssa. Muiden lisävarusteiden tai laitteiden käyttö voi aiheuttaa henkilövahinkoja. Käytä lisävarusteita ja -laitteita vain niiden käyttötarkoituksen mukaisesti.

Jos tarvitset apua tai yksityiskohtaisempia tietoja seuraavista lisävarusteista, ota yhteys paikalliseen Makitan huoltoon.

- Poran terät
- Ruuvauskärjet
- Hylsykärjet
- Kärkikappale
- Muovinen kantolaukku
- Aito Makitan akku ja laturi

**HUOMAA:** Jotkin luettelossa mainitut varusteet eivät sisälly työkalun toimitukseen vakiovarusteina. Ne voivat vaihdella maittain.

## SPECIFIKĀCIJAS

Modelis:		DF012D
Urbšanas spēja	Tērauds	5 mm
	Koks	6 mm
Pievilšanas spēja	Koka skrūve	ø3,8 mm × 45 mm
	Nostiprinātājskrūve	M5
Ātrums bez slodzes	Liels (2)	650 min <sup>-1</sup>
	Mazs (1)	200 min <sup>-1</sup>
Kopējais garums	Taisnas formas	273 mm
	Pistoles formas	218 mm
Nominālais spriegums		Līdzstrāva 7,2 V
Akumulatora kasetne		BL0715
Tīrsvars		0,53 kg

- Nepārtrauktās izpētes un izstrādes programmas dēļ šeit uzrādītās specifikācijas var tikt mainītas bez brīdinājuma.
- Specifikācijas un akumulatora kasetne var atšķirties dažādās valstīs.
- Svārs ar akumulatora kasetni atbilstošs EPTA procedūrai 01/2014

### Paredzētā lietošana

Šis darbarīks ir paredzēts urbšanai un skrūvju ieskrūvēšanai kokā, metālā un plastmasā.

### Trokšņa līmenis

Tipiskais A svērtais trokšņa līmenis noteikts saskaņā ar EN60745:

Skaņas spiediena līmeni ( $L_{pA}$ ): 70 dB (A) vai mazāk  
Mainīgums (K): 3 dB (A)

Darbības laikā trokšņa līmenis var pārsniegt 80 dB (A).

**BRĪDINĀJUMS:** Lietojiet ausu aizsargus.

### Vibrācija

Vibrācijas kopējā vērtība (trīsasu vektora summa)

noteikta atbilstoši EN60745:

Darba režīms: urbšana metālā

Vibrācijas izmēte ( $a_{h,D}$ ): 2,5 m/s<sup>2</sup> vai mazāk

Mainīgums (K): 1,5 m/s<sup>2</sup>

**PIEZĪME:** Paziņotā vibrācijas emisijas vērtība noteikta atbilstoši standarta pārbaudes metodei un to var izmantot, lai salīdzinātu vienu darbarīku ar citu.

**PIEZĪME:** Paziņoto vibrācijas emisijas vērtību arī var izmantot iedarbības sākotnējā novērtējumā.

**BRĪDINĀJUMS:** Reāli lietojot elektrisko darbarīku, vibrācijas emisija var atšķirties no paziņotās emisijas vērtības atkarībā no darbarīka izmantošanas veida.

**BRĪDINĀJUMS:** Lai aizsargātu lietotāju, nēsā kiet drošības pasākumus, kas pamatoti ar iedarbību reālos darba apstākļos (ņemot vērā visus ekspluatācijas cikla posmus, piemēram, laiku, kamēr darbarīks ir izslēgts un kad darbojas tukšgaitā, kā arī palaides laiku).

### EK atbilstības deklarācija

*Tikai Eiropas valstīm*

EK atbilstības deklarācija šajā lietošanas rokasgrāmatā ir iekļauta kā A pielikums.

## DROŠĪBAS BRĪDINĀJUMI

### Vispārīgi elektrisko darbarīku drošības brīdinājumi

**BRĪDINĀJUMS:** Izlasiet visus drošības brīdinājumus, instrukcijas, apskatiet ilustrācijas un tehniskos datus, kas iekļauti mehanizētā darbarīka komplektācijā. Ja netiek ievēroti visi tālāk minētie noteikumi, var tikt izraisīta elektrotrauma, notikt aizdegšanās un/vai rasties smagas traumas.



## Glabājiet visus brīdinājumus un norādījumus, lai varētu tajos ieskatīties turpmāk.

Termins „elektrisks darbarīks” brīdinājumos attiecas uz tādu elektrisko darbarīku, ko darbina ar elektrību (ar vadu), vai tādu, ko darbina ar akumulatoru (bez vada).

### Drošības brīdinājumi bezvada skrūvgrieža-urbjmašīnas lietošanai

1. Izmantojiet ar darbarīku piegādātos papildu rokturus. Zaudējot kontroli, var tikt gūtas traumas.
2. Strādājot turiet elektrisko darbarīku aiz izolētajām satveršanas virsmām, ja griešanas darbarīks varētu saskarties ar neredzamu elektroinstalāciju. Griežinjstrumentam saskaroties ar vadu, kurā ir spriegums, spriegums var tikt pārņemts uz elektriskā darbarīka metāla daļām, un, iespējams, radīt operatoram elektrotraumu.
3. Veicot darbu, turiet elektrisko darbarīku aiz izolētajām satveršanas virsmām, ja stiprinājums varētu saskarties ar paslēptu elektroinstalāciju. Stiprinājumiem saskaroties ar vadu, kurā ir spriegums, elektriskā darbarīka ārējās metāla virsmas var vadīt strāvu un radīt lietotājam elektrotraumu.
4. Vienmēr nodrošiniet stabilu pamatu kājām. Ja lietojat darbarīku, strādājot lielā augstumā virs zemes, pārliecinieties, ka apakšā neviena nav.
5. Darbarīku turiet cieši.
6. Turiet rokas tālu no rotējošām daļām.
7. Neatstājiet darbarīku ieslēgtu. Darbiniet darbarīku vienīgi tad, ja turat to rokās.
8. Neskariet urbja uzgali vai apstrādāto detaļu tūlīt pēc darba veikšanas; tie var būt ļoti karsti un var apdedzināt ādu.
9. Daži materiāli satur ķīmiskas vielas, kuras var būt toksiskas. Izvairieties no putekļu ieelpošanas un to nokļūšanas uz ādas. Ievērojiet materiāla piegādātāja drošības datus.

### SAGLABĀJIET ŠOS NORĀDĪJUMUS.

**▲BRĪDINĀJUMS:** NEPIELĀUJIET to, ka labu iemaņu vai izstrādājuma labas pārziņšanas (darbarīku atkārtoti ekspluatējot) rezultātā vairs stingri neievērojat šī izstrādājuma drošības noteikumus. NEPAREIZI LIETOJOT darbarīku vai neievērojot šajā instrukciju rokasgrāmatā minētos drošības noteikumus, var tikt gūtas smagas traumas.

### Svarīgi drošības norādījumi par akumulatora kasetni

1. Pirms akumulatora lietošanas izlasiet visus norādījumus un brīdinājumus, kuri attiecas uz (1) akumulatora lādētāju, (2) akumulatoru un (3) ierīci, kurā tiek izmantots akumulators.
2. Neizjauciet akumulatoru.
3. Ja akumulatora darbības laiks kļūva ievērojami īsāks, nekavējoties pārtrauciet to izmantot. Citādi, tas var izraisīt pārkarsējumu, uzliesmojumu vai pat sprādzienu.

4. Ja elektrolīts nonāk acīs, izskalojiet tās ar tīru ūdens un nekavējoties griezieties pie ārsta. Tas var izraisīt redzes zaudēšanu.
5. Neradiet īssavienojumu akumulatora kasetnē:
  - (1) Nepieskarieties spaiļiem ar elektrību vadošiem materiāliem.
  - (2) Neuzglabājiet akumulatoru kasetni kopā ar citiem metāla priekšmetiem, tādiem kā naglas, monētas u. c.
  - (3) Nepakļaujiet akumulatora kasetni ūdens vai lietus iedarbībai.Akumulatora īssavienojums var radīt spēcīgu strāvas plūsmu, pārkaršanu, uzliesmojumu un pat sabojāt akumulatoru.
6. Neglabājiet darbarīku un akumulatora kasetni vietās, kur temperatūra var sasniegt vai pārsniegt 50 °C (122 °F).
7. Nededziniet akumulatora kasetni, pat ja tā ir stipri bojāta vai pilnībā nolietota. Akumulatora kasetne ugunī var eksplodēt.
8. Uzmanieties, lai nejautu akumulatoram nokrist un nepakļautu to sitenam.
9. Neizmantojiet bojātu akumulatoru.
10. Uz izmantotajiem lītija jonu akumulatoriem attiecas likumdošanas prasības par bīstamiem izstrādājumiem. Komerciālā transportēšanā, ko veic, piemēram, trešās puses, transporta uzņēmumi, jāievēro uz iesaiņojuma un marķējuma norādītās īpašās prasības. Lai izstrādājumu sagatavotu nosūtīšanai, jāsazinās ar bīstamo materiālu speciālistu. Ievērojiet arī citus attiecināmos valsts normatīvus. Vaļējus kontaktus nosedziet ar līmlenti vai citādi pārklājiet, bet akumulatoru iesaiņojiet tā, lai sānīt tas nevarētu izkustēties.
11. Ievērojiet vietējos noteikumus par akumulatora likvidēšanu.

### SAGLABĀJIET ŠOS NORĀDĪJUMUS.

**▲UZMANĪBU:** Lietojiet tikai oriģinālos Makita akumulatorus. Ja lietojat neoriģinālus Makita akumulatorus vai pārveidotus akumulatorus, tie var uzsprāgt un izraisīt aizdegšanos, traumas un materiālos zaudējumus. Tiks anulēta arī Makita darbarīka un lādētāja garantija.

### Ieteikumi akumulatora kalpošanas laika pagarināšanai

1. Uzlādējiet akumulatora kasetni, pirms tā ir pilnībā izlādējusies. Vienmēr, kad ievērojat, ka darbarīka darba jauda zudusi, apturiet darbarīku un uzlādējiet akumulatora kasetni.
2. Nekad neuzlādējiet pilnībā uzlādētu akumulatora kasetni. Pārmērīga uzlāde saīsina akumulatora kalpošanas laiku.
3. Uzlādējiet akumulatora kasetni istabas temperatūrā 10 °C - 40 °C. Karstai akumulatora kasetnei pirms uzlādes ļaujiet atdzist.

# FUNKCIJU APRAKSTS

**⚠UZMANĪBU:** Pirms darbarīka regulēšanas vai tā darbības pārbaudes vienmēr pārliedzinieties, ka darbarīks ir izslēgts un akumulatora kasetne ir izņemta.

## Akumulatora kasetnes uzstādīšana un izņemšana

**⚠UZMANĪBU:** Vienmēr pirms akumulatora kasetnes uzstādīšanas vai noņemšanas izslēdziet darbarīku.

**⚠UZMANĪBU:** Uzstādot vai izņemot akumulatora kasetni, darbarīku un akumulatora kasetni turiet cieši. Ja darbarīku un akumulatora kasetni netur cieši, tie var izkrist no rokām un radīt bojājumus darbarīkam un akumulatora kasetnei, kā arī izraisīt ievainojumus.

► **Att.1:** 1. Poga 2. Akumulatora kasetne

Lai izņemtu akumulatora kasetni, velciet to ārā no darbarīka, turot nospiestas kasetnes abās malās esošās pogas.

Lai uzstādītu akumulatora kasetni, salāgojiet mēlīti uz akumulatora kasetnes ar rienu ietvarā un iebīdīet to vietā.

**⚠UZMANĪBU:** Vienmēr ievietojiet kasetni, līdz tā nofiksējas ar klusu klikšķi. Pretējā gadījumā akumulators var nejauši izkrist no darbarīka un radīt jums vai apkārtējiem traumas.

**⚠UZMANĪBU:** Neievietojiet akumulatora kasetni ar spēku. Ja kasetne neslīd ietvarā viegli, tā nav pareizi ielikta.

## Akumulatora aizsardzības sistēma

Darbarīks ir aprīkots ar akumulatora aizsardzības sistēmu. Šī sistēma automātiski izslēdz jaudas pavedi motoram, lai pagarinātu akumulatora kalpošanas laiku. Darbarīka darbība tiks automātiski apturēta, ja darbarīku un/vai akumulatoru pakļaus kādam no šiem apstākļiem.

### Zema akumulatora jauda:

Akumulatora uzlādes līmenis ir pārāk zems, un darbarīks nedarbosies. Ja ieslēgsit darbarīku, motors vēlreiz sāks darboties, taču drīz apstāsies. Šādā gadījumā noņemiet akumulatoru un uzlādējiet.

## Blokēšanas svira

**⚠UZMANĪBU:** Kad darbarīks netiek izmantots, obligāti iestatiet blokēšanas sviru blokētā pozīcijā B.

► **Att.2:** 1. Blokēšanas svira

Kad blokēšanas svira ir blokētā pozīcijā B, slēdzi nevar darbināt.

Kad blokēšanas svira ir atbloķētā pozīcijā A, slēdzi var darbināt.

## Slēdža darbība

**⚠UZMANĪBU:** Pirms akumulatora kasetnes uzstādīšanas darbarīkā vienmēr pārbaudiet, vai slēdzis darbojas pareizi un pēc atlaišanas atgriežas pozīcijā "OFF" (izslēgts).

**⚠UZMANĪBU:** Pirms sākt darbu, vienmēr pārbaudiet griešanās virzienu.

► **Att.3:** 1. Bloķēšanas svira 2. Slēdzis

Lai darbarīku iedarbinātu, vispirms pārvietojiet blokēšanas sviru atbloķētā pozīcijā A, lai atlaistu slēdzi. Un tad vienkārši nospiediet slēdzi ⇐ C pusē rotācijai pulksteņrādītāju kustības virzienā vai ⇒ D pusē rotācijai pretēji pulksteņrādītāju kustības virzienam. Lai apturētu darbarīku, atlaidiet slēdzi.

**IEVĒRĪBAI:** Mainiet griešanās virzienu tikai tad, kad darbarīks ir pilnībā apturēts. Griešanās virziena maiņa pirms darbarīka pilnīgas apturēšanas var izraisīt darbarīka bojājumus.

## Ātruma regulēšana

► **Att.4:** 1. Ātruma regulēšanas svira

**⚠UZMANĪBU:** Ātruma regulēšanas sviru vienmēr stingri iestatiet pareizajā stāvoklī. Ja jūs darbināt darbarīku ar ātruma regulēšanas sviru, izvietotu starp stāvokļiem „1” un „2”, tas var sabojāt darbarīku.

**⚠UZMANĪBU:** Nelietojiet ātruma regulēšanas sviru, kamēr darbarīks darbojas. Tas var sabojāt darbarīku.

Ātruma regulēšanas sviras stāvoklis	Ātrums	Griezes moments	Lietojuma iespējas
1	Mazs	Liels	Lielas noslodzes režīms
2	Liels	Mazs	Nelielas noslodzes režīms

Lai mainītu ātrumu, vispirms izslēdziet darbarīku. Izvēlieties „2” lielam ātrumam vai „1” mazam ātrumam un lielam griezes momentam. Pirms darba uzsākšanas pārliedzinieties, vai ātruma regulēšanas svira ir uzstādīta pareizā stāvoklī.

Ja ekspluatācijas laikā stāvoklī „2” ātrums ievērojami samazinās, pārvirziet sviru stāvoklī „1” un atsāciet ekspluatāciju.

## Stiprinājuma griezes momenta regulēšana

- **Att.5:** 1. Regulēšanas gredzens 2. Iedaļas  
3. Bultiņa

Stiprinājuma griezes momentam var iestatīt kādu no 22 līmeņiem, pagriežot regulēšanas gredzenu. Savietojiet iedaļas ar bultiņu uz darbarīka korpusa. Minimālais stiprinājuma griezes moments ir stāvoklī 1, un maksimālais stiprinājuma griezes moments ir stāvoklī 22.


Iestatot ietveri stāvoklī no 1 līdz 21, tā ieslīdēs dažādos griezes momenta līmeņos. Ietvere nedarbojas pie atzīmes 22.

Pirms darba sākšanas apstrādājamajā materiālā vai rezerves materiālā ieskrūvējiet izmēģinājuma skrūvi, lai noteiktu, kāds griezes moments ir piemērots konkrētajā gadījumā.

**PIEZĪME:** Skatiet šo tabulu, kurā ir parādīta attiecība starp griezes momenta iestatījuma skaitli un savilces momentu.

Savilces momenti atšķiras atkarībā no materiāla. Lai iegūtu vēlamo griezes momentu, pirms darbības veiciet pārbaudes savilkšanu.

### Norādījumi attiecībā uz ietveres automātisko apturēšanu

Ietveres automātiskās apturēšanas darbības diapazons		Vienības uz savilces momenta regulēšanas gredzenu	Pievilšanas griezes moments
Liels ātrums	Mazs ātrums		
✓	✓	1	Aptuv. 0,3 N•m (aptuv. 3 kgf•cm)
✓	✓	5	Aptuv. 0,82 N•m (aptuv. 8,4 kgf•cm)
✓	✓	9	Aptuv. 1,35 N•m (aptuv. 13,8 kgf•cm)
-	✓	13	Aptuv. 1,88 N•m (aptuv. 19,2 kgf•cm)
-	✓	17	Aptuv. 2,41 N•m (aptuv. 24,6 kgf•cm)
-	✓	21	Aptuv. 2,9 N•m (aptuv. 30 kgf•cm)
-	-		Darbinot ar mazu ātrumu, aptuv. 8 N•m (aptuv. 81,6 kgf•cm)
-	-		Darbinot ar lielu ātrumu, aptuv. 1,5 N•m (aptuv. 14,7 kgf•cm)

Izmantojot stiprinājuma skrūvju skrūvēšanai	Vienības	Norādījumi attiecībā uz stiprinājuma skrūvju diametru
	1 - 3	2,5 mm
	4 - 8	3 mm
	9 - 18	4 mm
	19 - 21	5 mm

## Priekšējās lampas ieslēgšana

**⚠UZMANĪBU:** Neskatieties gaismā, neļaujiet tās avotam iespīdēt acīs.

Lai ieslēgtu gaismu, pārslēdziet lampas slēdzi pozīcijā A. Lai izslēgtu gaismu, pārslēdziet lampas slēdzi pozīcijā B.

Pat, ja atstājat lampu ieslēgtu, tā automātiski izslēgsies pēc 5 minūtēm.

- **Att.6:** 1. Lampas slēdzis 2. Lampa

**PIEZĪME:** Kad lietošanas laikā akumulators ir gandrīz izlādējies, par to liecina mirgojoša lampa.

Šādā gadījumā uzlādējiet akumulatoru vai nomainiet to ar pilnībā uzlādētu akumulatoru.

## MONTĀŽA

**⚠UZMANĪBU:** Pirms darbarīka regulēšanas vai apkopes vienmēr pārliecinieties, ka darbarīks ir izslēgts un akumulatora kasetne ir izņemta.

### Skrūvgrieža uzgaļa/galatslēgas uzgaļa uzstādīšana vai noņemšana

- **Att.7**

Izmantojiet tikai skrūvgrieža uzgali/galatslēgas uzgali ar atēlā redzamo ievietojamo daļu. Neizmantojiet citu skrūvgrieža uzgali/uzgriežņa uzgali.

## Darbarīkam ar seklu skrūvgrieža uzgaļa padziļinājumu

A = 12 mm B = 9 mm	Izmantojiet tikai šāda veida skrūvgrieža uzgali, levērojiet 1. procedūru. (Piezīme) Uzgaļa daļa nav nepieciešama.
-----------------------	---

## Darbarīkam ar dziļu skrūvgrieža uzgaļa padziļinājumu

A = 17 mm B = 14 mm	Lai uzstādītu šādu veidu skrūvgrieža uzgali, izpildiet 1. procedūru.
A = 12 mm B = 9 mm	Lai uzstādītu šādu veidu skrūvgrieža uzgali, izpildiet 2. procedūru. (Piezīme) Uzgaļa uzstādīšanai nepieciešama uzgaļa daļa.

## 1. darbība

► **Att.8:** 1. Skrūvgrieža uzgalis 2. Uzmava

Lai uzstādītu skrūvgrieža uzgali, velciet uznavu bultiņas virzienā un ievietojiet skrūvgrieža uzgali uznavā līdz galam. Tad atlaidiet uznavu, lai nostiprinātu skrūvgrieža uzgali.

## 2. darbība

Papildus 1. darbībai uzgaļa daļa jāievieto uznavā ar tās smailo galu vērstu uz iekšu.

► **Att.9:** 1. Skrūvgrieža uzgalis 2. Skrūves daļa 3. Uzmava

Lai noņemtu skrūvgrieža uzgali, velciet uznavu bultiņas virzienā un izvelciet skrūvgrieža uzgali.

**PIEZĪME:** Ja skrūvgrieža uzgalis nav pietiekami dziļi ievietots uznavā, tā neatgriezīsies savā sākotnējā stāvoklī, un skrūvgrieža uzgalis netiks nostiprināts. Šajā gadījumā mēģiniet vēlreiz ievietot uzgali atbilstoši iepriekš minētajām instrukcijām.

**PIEZĪME:** Pēc skrūvgrieža uzgaļa ievietošanas pārliedzinieties, ka tas ir cieši nostiprināts. Ja tas iznāk ārā, neizmantojiet to.

## EKSPLOATĀCIJA

**UZMANĪBU:** Saliecot darbarīku, lai izmantotu to pistoles formā, vai iztaisnojot to, lai lietotu taisnā stāvoklī, neturiet darbarīka lokāmo daļu. Šo norādījumu neievērošanas gadījumā šī darbarīka daļa var iespiest un traumēt pirkstus.

Darbarīku var izmantot divos veidos: taisnā un pistoles formā, ko var izvēlēties saskaņā ar darbavietas un skrūvju skrūvēšanas stāvokli.

► **Att.10:** 1. Taisnas formas 2. Pistoles formas

## Skrūvgrieža darba režīms

**UZMANĪBU:** Ar regulēšanas gredzena palīdzību uzstādiet veicamam darbam atbilstošu griezes momenta līmeni.


**UZMANĪBU:** Pārliedzinieties, ka skrūvgrieža uzgalis ir taisni ievietots skrūves galviņā, pretējā gadījumā skrūve un/vai skrūvgrieža uzgalis var tikt bojāts.

Novietojiet skrūvgrieža uzgaļa galu skrūves galviņā un uzspiediet uz darbarīka. Ieslēdziet darbarīku nelielā ātrumā un tad pakāpeniski ātrumu palieliniet. Atlaidiet slēdža mēlīti tikko ietvere iegriežas iekšā.

► **Att.11**

**PIEZĪME:** Skrūvējot koka skrūvi, sākumā izurbiet palīgcaurumu, kura izmērs ir 2/3 no skrūves diametra. Tādējādi skrūvēšana būs vieglāka un apstrādājamā detaļa nesadalīsies.

## Urbšana

Vispirms pielāgojiet regulēšanas gredzenu tā, lai bultiņas rādītu uz atzīmi . Tad rīkojieties, kā norādīts tālāk.

## Urbšana kokā

Urbjot kokā, vislabākie rezultāti iegūstami ar kokurbja uzgaliem, kuri aprīkoti ar vadskrūvi. Vadskrūve atvieglo urbšanu, virzot urbja uzgali apstrādes detaļā.

## Urbšana metālā

Lai novērstu urbja uzgaļa slīdēšanu, sākot urbšanu, vispirms ar punkstīti un āmuru izveidojiet iedobi vietā, kur jāurbj. Novietojiet urbja uzgali iedobē un sāciet urbt. Urbjot metālā, izmantojiet griešanas smērvielu. Izņēmums ir dzelzs un misiņš, kuri jāurbj bez smērvielas.

**UZMANĪBU:** Pārmērīgs spiediens uz darbarīku urbšanas ātrumu nepalielinās. Patiesībā pārmērīgs spiediens tikai sabojās urbja uzgali, samazinās darbarīka jaudu un saīsinās tā kalpošanas laiku.

**UZMANĪBU:** Stingri turiet darbarīku un īpaši uzmanieties brīdī, kad urbja uzgalis sāk virzīties cauri apstrādājamaļ daļai. Cauruma izveides brīdī uz darbarīku un uzgali iedarbojas ļoti liels spēks.

**UZMANĪBU:** Iestrēgušu urbja uzgali var atbrīvot, vienkārši uzstādot griešanās virziena pārslēdzēju pretējā virzienā, lai urbis tiktu virzīts atpakaļ virzienā uz āru. Taču uzmanieties, jo, ja ierīci neturēsiet stingri, tā var strauji virzīties atpakaļ.

**UZMANĪBU:** Nelielas apstrādājamas detaļas vienmēr ievietojiet skrūvspilēs vai citā stiprinājuma ierīcē.

**UZMANĪBU:** Ja darbarīks tiek darbināts nepārtraukti, līdz akumulatora kasetne ir izlādējusies, pirms turpināt darbu ar jaunu akumulatoru, izslēdziet darbarīku uz 15 minūtēm.

## Izmantojot darbarīku kā skrūvgriezi

### ► Att.12

Izslēdziet darbarīku.

Pārbīdīet bloķēšanas sviru bloķēšanas stāvoklī .

Pagrieziet darbarīku.

**IEVĒRĪBAI:** Izmantojiet darbarīku ar savilces momentu, kas mazāks par 5 N•m (50 kgf•cm).

**IEVĒRĪBAI:** Neizmantojiet darbarīku darbos, kuros nepieciešams pārmērīgs spēks, piemēram, M6 vai lielāku skrūvju kā M6 pievilkšanai, vai arī sarūsējušu skrūvju izskrūvēšanai.

**PIEZĪME:** Šī izmantošana ir ērta, lai pārbaudītu skrūvju skrūvēšanu.

## APKOPE

**⚠UZMANĪBU:** Pirms darbarīka pārbaudes vai apkopes vienmēr pārlicinieties, ka darbarīks ir izslēgts un akumulatora kasetne ir izņemta.

**IEVĒRĪBAI:** Nekad neizmantojiet gazolinu, benzīnu, atšķaidītāju, spirtu vai līdzīgus šķidrumus. Tas var radīt izbalēšanu, deformāciju vai plaisas.

Lai saglabātu izstrādājuma DROŠU un UZTICAMU darbību, remontdarbus, apkopi un regulēšanu uzticiet veikt tikai Makita pilnvarotam vai rūpnīcas apkopes centram, un vienmēr izmantojiet tikai Makita rezerves daļas.

## PAPILDU PIEDERUMI

**⚠UZMANĪBU:** Šādi piederumi un papildierīces tiek ieteiktas lietošanai ar šajā rokasgrāmatā aprakstīto Makita darbarīku. Izmantojot citus piederumus vai papildierīces, var tikt radīta trauma gūšanas bīstamība. Piederumu vai papildierīci izmantojiet tikai paredzētajam mērķim.

Ja jums vajadzīga palīdzība vai precīzāka informācija par šiem piederumiem, vērsieties savā tuvākajā Makita apkopes centrā.

- Urbja uzgaļi
- Skrūvgrieža uzgaļi
- Līgšanas uzgaļi
- Uzgaļa daļa
- Plastmasas pārmēsāšanas soma
- Makita oriģinālais akumulators un lādētājs

**PIEZĪME:** Daži sarakstā norādītie izstrādājumi var būt iekļauti instrumenta komplektācijā kā standarta piederumi. Tie dažādās valstīs var būt atšķirīgi.

## SPECIFIKACIJOS

Modelis:		DF012D
Gręžimo pajėgumas	Plienas	5 mm
	Medis	6 mm
Fiksavimo pajėgumas	Medvaržtis	ø3,8 mm x 45 mm
	Mašininis sraigtas	M5
Be apkrovos	Aukštas (2)	650 min <sup>-1</sup>
	Žemas (1)	200 min <sup>-1</sup>
Bendrasis ilgis	Tiesios formos	273 mm
	Pistoletto formos	218 mm
Vardinė įtampa		Nuol. sr. 7,2 V
Akumulatoriaus kasetė		BL0715
Grynasis svoris		0,53 kg

- Atliekame tęsinius tyrimus ir nuolatos tobuliname savo gaminius, todėl čia pateikiamos specifikacijos gali būti keičiamos be įspėjimo.
- Įvairiose šalyse specifikacijos ir akumulatoriaus kasetė gali skirtis.
- Svoris su akumulatoriaus kasete pagal Europos elektrinių įrankių asociacijos metodiką „EPTA-Procedure 01/2014“

## Numatytoji naudojimo paskirtis

Šis įrenginys yra skirtas medienai, metalui ir plastmasei gręžti.

## Triukšmas

Įprastas triukšmo A lygis, nustatytas pagal EN60745:

Garso slėgio lygis ( $L_{pA}$ ): 70 dB (A) arba mažiau

Paklaida (K): 3 dB (A)

Dirbant triukšmo lygis gali viršyti 80 dB (A).

**⚠️ ĮSPĖJIMAS:** Dėvėkite ausų apsaugą.

## Vibracija

Vibracijos bendroji vertė (triašio vektorius suma)

nustatyta pagal EN60745 standartą:

Darbo režimas: metalo gręžimas

Vibracijos emisija ( $a_{h,p}$ ): 2,5 m/s<sup>2</sup> arba mažiau

Paklaida (K): 1,5 m/s<sup>2</sup>

**PASTABA:** Paskelbtasis vibracijos emisijos dydis nustatytas pagal standartinį testavimo metodą ir jį galima naudoti vienam įrankiui palyginti su kitu.

**PASTABA:** Paskelbtasis vibracijos emisijos dydis taip pat gali būti naudojamas preliminariai įvertinti vibracijos poveikį.

**⚠️ ĮSPĖJIMAS:** Faktiškai naudojant elektrinį įrankį, keliamos vibracijos dydis gali skirtis nuo paskelbtojo dydžio, priklausomai nuo būdų, kuriais yra naudojamas šis įrankis.

**⚠️ ĮSPĖJIMAS:** Siekdami apsaugoti operatorių, būtinai įvertinkite saugos priemones, remdamiesi vibracijos poveikio įvertinimu esant faktinėms naudojimo sąlygoms (atsižvelgdami į visas darbo ciklo dalis, pavyzdžiui, ne tik kiek laiko įrankis veikia, bet ir kiek kartų jis yra išjungiamas bei kai jis veikia be apkrovų).

## EB atitikties deklaracija

*Tik Europos šalims*

EB atitikties deklaracija yra pridedama kaip šio instrukcijų vadovo A priedas.

## SAUGOS ĮSPĖJIMAI

## Bendrieji įspėjimai dirbant elektriniais įrankiais

**⚠️ ĮSPĖJIMAS:** Perskaitykite visus saugos įspėjimus, instrukcijas, iliustracijas ir techninius duomenis, pateiktus kartu su šiuo elektriniu įrankiu. Nesilaikant visų toliau išvardytų instrukcijų galima patirti elektros smūgi, gali kilti gaisras ir (arba) galima sunkiai susižaloti.

## Išsaugokite visus įspėjimus ir instrukcijas, kad galėtumėte jas peržiūrėti ateityje.

Terminas „elektrinis įrankis“ pateiktuose įspėjimuose reiškia į maitinimo tinklą jungiamą (laidinį) elektrinį įrankį arba akumulatoriaus maitinamą (belaidį) elektrinį įrankį.

## Saugos įspėjimai dėl akumulatorinio grąžto naudojimo

1. Naudokite su įrankiu pridėtą išorinę rankeną (rankenas). Nesuvaldžius įrankio, galima susižeisti.
2. Atlikdami darbus, kurių metu pjovimo dalys gali paliesti paslėptus laidus, laikykite elektrinį įrankį tik už izoliuotų, laikyti skirtų paviršių. Pjovimo antgaliai prisilietus prie laido, kuriuo teka elektros srovė, neizoliuotos metalinės elektrinio įrankio dalys gali sukelti elektros smūgį ir nutrenkti operatorių.

- Atlikdami darbus, kurių metu tvirtinimo elementas galėtų užkliudyti nematomą laidą arba savo paties laidą, laikykite elektrinius įrankius už izoliuotų paviršių. Užkliudžius laidą, kuriuo teka srovė, įtampa gali būti perduota neizoliuotoms metalinėms elektrinio įrankio dalims ir operatorius gali gauti elektros smūgį.
- Būtinai įsitikinkite, kad tvirtai stovite. Jei naudojate įrankį aukštais, įsitikinkite, ar apačioje nėra žmonių.
- Tvirtai laikykite įrenginį.
- Laikykite rankas toliau nuo sukamųjų dalių.
- Nepalikite veikiančio įrankio. Naudokite įrankį tik laikydami rankomis.
- Nelieskite grąžto arba ruošinio iškart po naudojimo; jie gali būti itin karšti ir gali nudeginti odą.
- Kai kuriose medžiagose esama cheminių medžiagų, kurios gali būti nuodingos. Saugokitės, kad neįkvėptumėte dulkių ir nesiliestumėte oda. Laikykites medžiagų tiekėjo saugos duomenų.

## SAUGOKITE ŠIAS INSTRUKCIJAS.

**⚠ PERSPĖJIMAS:** NELEISKITE, kad patogumas ir gaminio pažinimas (įgyjamas pakartotinai naudojant) susilpnintų griežtą saugos taisyklių, taikytinų šiam gaminiui, laikymąsi. Dėl NETINKAMO NAUDOJIMO arba saugos taisyklių, kurios pateiktos šioje instrukcijoje, nesilaikymo galima rimtai susižeisti.

### Svarbios saugos instrukcijos, taikomos akumulatoriaus kasetei

- Prieš naudodami akumulatoriaus kasetę, perskaitykite visas instrukcijas ir perspėjimus ant (1) akumulatorių įkroviklio, (2) akumulatorių ir (3) akumulatorių naudojančio gaminio.
- Neardykite akumulatoriaus kasetės.
- Jei įrankio darbo laikas žymiai sutrumpėjo, nedelsdami nutraukite darbą su įrankiu. Tai gali kelti perkaitimą, nudegimų ar net sprogmio pavojų.
- Jei elektrolitas pateko į akis, plaukite jas tyru vandeniu ir nedelsdami kreipkitės į gydytoją. Gali kilti regėjimo praradimo pavojus.
- Neužtrumpinkite akumulatoriaus kasetės:
  - Nelieskite kontaktų degiomis medžiagomis.
  - Venkite laikyti akumulatoriaus kasetę kartu su kitais metaliniais daiktais, pavyzdžiui, vinimis, monetomis ir pan.
  - Saugokite akumulatoriaus kasetę nuo vandens ir lietaus.
 Trumpasis jungimas akumulatoriuje gali sukelti stiprią srovę, perkaitimą, galimus nudegimus ar net akumulatoriaus gedimą.
- Nelaiykite įrankio ir akumulatoriaus kasetės vietoje, kur temperatūra gali pasiekti ar viršyti 50 °C.
- Nedeginkite akumulatoriaus kasetės, net jei yra stipriai pažeista ar visiškai susidėvėjusi. Ugnyje akumulatoriaus kasetė gali sprogti.
- Saugokite akumulatorių nuo kritimo ir smūgių.
- Nenaudokite pažeisto akumulatoriaus.
- Įdėtoms ličio jonų akumulatoriams taikomi Pavojingų prekių teisės akto reikalavimai. Komeracinis transportas, pvz., trečiųjų šalių, prekių vežimo atstovų, turi laikytis specialaus reikalavimo ant pakuotės ir ženklavimo.

Norėdami paruošti siųstiną prekę, pasitarkite su pavojingų medžiagų specialistu. Be to, laikykitės galimai išsamesnių nacionalinių reglamentų. Užklijuokite juosta arba padenkite atvirus kontaktus ir supakuokite akumulatorių taip, kad ji pakuotėje nejudėtų.

- Vadovaukitės vietos įstatymais dėl akumulatorių išmetimo.

## SAUGOKITE ŠIAS INSTRUKCIJAS.

**⚠ PERSPĖJIMAS:** Naudokite tik originalų „Makita“ akumulatorių. Neoriginalus „Makita“ arba pakeisto akumulatoriaus naudojimas gali nulemti gaisrą, asmens sužalojimą ir pažeidimą. Tai taip pat panaikina „Makita“ suteikiamą „Makita“ įrankio ir įkroviklio garantiją.

## Patarimai, ką daryti, kad akumulatorius veiktų kuo ilgiau

- Pakraukite akumulatoriaus kasetę prieš jai visiškai išsikraunant. Visuomet nustokite naudoti įrankį ir pakraukite akumulatoriaus kasetę, kai pastebite, kad įrankio galia sumažėjo.
- Niekada nekraukite iki galo įkrautos akumulatoriaus kasetės. Perkraunant trumpėja akumulatoriaus eksploatacijos laikas.
- Akumulatoriaus kasetę kraukite esant kambario temperatūrai 10 - 40 °C. Prieš pradėdami krauti, leiskite įkautusiai akumulatoriaus kasetei atvėsti.

## VEIKIMO APRAŠYMAS

**⚠ PERSPĖJIMAS:** Prieš pradėdami reguliuoti arba tikrinti įrankio veikimą, visuomet būtinai išjunkite įrankį ir išimkite akumulatoriaus kasetę.

### Akumulatoriaus kasetės uždėjimas ir nuėmimas

**⚠ PERSPĖJIMAS:** Prieš įdėdami arba išimdami akumulatoriaus kasetę, visada išjunkite įrankį.

**⚠ PERSPĖJIMAS:** Įdėdami arba išimdami akumulatoriaus kasetę, tvirtai laikykite įrankį ir akumulatoriaus kasetę. Jeigu įrankį ir akumulatoriaus kasetę laikysite netvirtai, jie gali išslįsti iš jūsų rankų, todėl įrankis ir akumulatoriaus kasetė gali būti sugadinti, o naudotojas sužalotas.

► **Pav.1:** 1. Mygtukas 2. Akumulatoriaus kasetė

Jei norite išimti akumulatoriaus kasetę, išimkite ją iš įrankio, spausdami mygtukus abiejose kasetės pusėse. Jei norite įdėti akumulatoriaus kasetę, sulygiuokite liežuvelį ant akumulatoriaus kasetės su grioveliu korpuse ir įstumkite į jai skirtą vietą.

**⚠ PERSPĖJIMAS:** Visuomet įkiškite iki galo, kol ji spragtelės užsikisus. Priešingu atveju kasetė gali atsitiktinai iškristi iš įrankio ir sužeisti jus arba aplinkinius.

**⚠ PERSPĖJIMAS:** Nekiškite akumulatoriaus kasetės įėga. Jeigu kasetė sunkiai lenda, ją kiškite netinkamai.

## Akumulatoriaus apsaugos sistema

Įrankyje įrengta akumulatoriaus apsaugos sistema. Ši sistema automatiškai atjungia variklio maitinimą, kad pailgėtų akumulatoriaus naudojimo laikas.

Įrankis automatiškai išsijungs darbo metu, esant vienai iš šių įrankio ir (arba) akumulatorius naudojimo sąlygų:

### Žema akumulatoriaus įtampa:

Likęs akumulatoriaus įkrovos lygis per žemas, todėl įrankis neveiks. Įjungus įrankį, variklis pradeda veikti, bet netrukus vėl išsijungia. Tokiu atveju išimkite akumulatorių ir jį įkraukite.

## Fiksavimo svirtis

**▲ PERSPĖJIMAS:** Kai įrankio nenaudojate, visada nustatykite fiksavimo svirtį į užfiksuotą padėtį B.

► Pav.2: 1. Fiksavimo svirtis

Kai fiksavimo svirtis yra užfiksuota į B padėtį, jungiklis negali būti įjungtas.

Kai fiksavimo svirtis nėra užfiksuota į A padėtį, jungiklis gali būti įjungtas.

## Jungiklio veikimas


**▲ PERSPĖJIMAS:** Prieš dėdami akumulatoriaus kasetę į įrankį, visuomet patikrinkite, ar jungiklis tinkamai veikia ir atleistas grįžta į išjungimo padėtį „OFF“.


**▲ PERSPĖJIMAS:** Prieš naudodami visuomet patikrinkite sukimosi kryptį.

► Pav.3: 1. Fiksavimo svirtis 2. Jungiklis

## Veržimo sukimo momento reguliavimas

► Pav.5: 1. Reguliavimo žiedas 2. Padalos 3. Rodyklė

Priveržimo momentą galima reguliuoti 22 lygiais, sukant reguliavimo žiedą. Sulygiuokite padalas su rodykle, esančia ant įrankio korpuso. Galite nustatyti minimalų veržimo momentą 1 ir maksimalų veržimo momentą ties  žyma.



Sankaba slyks esant įvairiems sukimo momentams, nustačius ties 1–21. Nustačius ties žyme , sankaba neveikia. Prieš pradėdami tikrą darbą, įsukite bandomąjį varžtą į reikiamą ar analogišką medžiagą, kad išsiaiškintumėte, kurio sukimo momento lygio reikia konkrečiam darbui atlikti.

**PASTABA:** Žr. toliau pateiktą lentelę, kurioje nurodytas santykis tarp sukimo momento nuostatos skaičiaus ir sukimo momento dydžio.

Veržimo sukimo momento dydžiai skirsis priklausomai nuo naudojamų medžiagų. Prieš pradėdami dirbti, atlikite bandomąjį veržimą, kad nustatytumėte reikiamą sukimo momentą.

### Sankabos automatinio stabdymo rekomendacijos

Sankabos automatinio stabdymo darbinis intervalas		Užveržimo sukimo momento reguliavimo žiedo padalos	Užveržimo sukimo momentas
Aukštas	Žemas		
✓	✓	1	Maždaug 0,3 N•m (maždaug 3 kgf•cm)
✓	✓	5	Maždaug 0,82 N•m (maždaug 8,4 kgf•cm)
✓	✓	9	Maždaug 1,35 N•m (maždaug 13,8 kgf•cm)
-	✓	13	Maždaug 1,88 N•m (maždaug 19,2 kgf•cm)

Norėdami įjungti įrankį, pirmiausia perjunkite fiksavimo svirtį į neužfiksuotą A padėtį, kad atlaisvintumėte jungiklį. Tuomet paprasčiausiai paspauskite C pusės  (suksis pagal laikrodžio rodyklę) arba D pusės  (suksis prieš laikrodžio rodyklę) jungiklį. Norėdami išjungti, atleiskite jungiklį.

**PASTABA:** Sukimo kryptį keiskite tik įrankiu visiškai sustojus. Jei keisite sukimosi kryptį prieš įrankiu sustojant, galite sugadinti įrankį.

## Greičio keitimas

► Pav.4: 1. Greičio keitimo svirtelė


**▲ PERSPĖJIMAS:** Visuomet nustatykite greičio keitimo svirtelę iki galo į tinkamą padėtį. Jei įrankį valdote greičio keitimo svirtelė, nustatyta per vidurį tarp padėčių „1“ ir „2“, galite sugadinti įrankį.

**▲ PERSPĖJIMAS:** Nenaudokite greičio keitimo svirtelės tol, kol įrankis veikia. Įrankis galis sugesti.

Greičio keitimo svirtelės padėtis	Greitis	Sukimo momentas	Atliekamas darbas
1	Mažas	Didelis	Didelės apkrovos darbas
2	Didelis	Mažas	Mažos apkrovos darbas

Jeigu norite pakeisti greitį, pirmiausiai įrankį išjunkite. Jeigu greitį norite padidinti, pasirinkite „2“ nuostatą, arba pasirinkite „1“ nuostatą, kad greitis būtų mažas, o veržimo sukimo momentas – didelis. Prieš pradėdami darbą, patikrinkite, ar greičio keitimo svirtelė nustatyta į tinkamą padėtį. Jeigu naudojant nuostatą „2“ įrankis gręžia pernelyg greitai, pastumkite svirtį ties nuostata „1“ ir dirbkite toliau.



Sankabos automatinio stabdymo darbinis intervalas		Užveržimo sukimo momento reguliavimo žiedo padalos	Užveržimo sukimo momentas
Aukštas	Žemas		
-	✓	17	Maždaug 2,41 N•m (maždaug 24,6 kgf•cm)
-	✓	21	Maždaug 2,9 N•m (maždaug 30 kgf•cm)
-	-		Esant mažam greičiui maždaug 8 N•m (maždaug 81,6 kgf•cm)
-	-		Esant dideliui greičiui maždaug 1,5 N•m (maždaug 14,7 kgf•cm)

Sukant mašinos varžtus	Padalos	Rekomenduojami mašinos varžto skersmenys
	1 - 3	2,5 mm
	4 - 8	3 mm
	9 - 18	4 mm
	19 - 21	5 mm

## Priekinės lempuotės uždegimas

**▲PERSPĖJIMAS:** Nežiūrėkite tiesiai į šviesą arba šviesos šaltinį.

Nustatykite lempos jungiklį į A padėtį, kad įjungtumėte šviesą. Nustatykite lempos jungiklį į B padėtį, kad išjungtumėte šviesą.

Net jei paliksite lempą įjungtą, ji automatiškai išsijungs po 5 minučių.

► **Pav.6:** 1. Lempos jungiklis 2. Lemputė

**PASTABA:** Kai naudojimo metu lempa pradeda mirksėti, tai yra ženklas, kad akumulatoriaus galia yra beveik išnaudota.

Tada įkraukite akumuliatorių arba pakeiskite visiškai įkrautu akumuliatoriumi.

## SURINKIMAS

**▲PERSPĖJIMAS:** Prieš darydami ką nors įrankiui visada patikrinkite, ar įrenginys išjungtas, o akumuliatorių kasetė – nuimta.

## Suktuvo galvutės / sukimo antgalio dėjimas ir išėmimas

► **Pav.7**

Naudokite tik tokią suktuvo galvutę / sukimo antgalį, kurio įkišama dalis yra tokia, kaip parodyta paveikslėlyje. Nenaudokite jokios kitos suktuvo galvutės / sukimo antgalio.

Įrankiui su negilia anga suktuvo galvutėms

A = 12 mm B = 9 mm	Naudokite tik šių tipų suktuvo galvutes. Atlikite 1 procedūrą. (Pastaba) Suktuvo antgalis nereikalingas.
-----------------------	--

Įrankiui su gilia anga suktuvo galvutėms

A = 17 mm B = 14 mm	Norėdami įtvirtinti šių tipų suktuvo galvutes, atlikite 1 procedūrą.
A = 12 mm B = 9 mm	Norėdami įtvirtinti šių tipų suktuvo galvutes, atlikite 2 procedūrą. (Pastaba) Tvirtinant galvutę suktuvo antgalis reikalingas.

## 1 procedūra

► **Pav.8:** 1. Suktuvo galvutė 2. Įvorė

Norėdami įstatyti suktuvo galvutę, stumkite įvorę rodyklės kryptimi ir įkiškite į ją suktuvo galvutę tiek, kiek ji lenda.

Tada atleiskite įvorę, kad galvutė užsifiksuotų.

## 2 procedūra

Atlikdami 1 procedūrą, įkiškite gražtą į įvorę taip, kad smailas galas būtų nukreiptas į vidų.

► **Pav.9:** 1. Suktuvo galvutė 2. Suktuvo antgalis 3. Įvorė

Norėdami ištraukti suktuvo galvutę, traukite įvorę rodyklės kryptimi ir ištraukite galvutę.

**PASTABA:** Jeigu suktuvo galvutės neįkiškite į įvorę iki galo, įvorė nesugrįš į pradinę padėtį ir galvutė neužsifiksuos. Tokiu atveju dar kartą pabandykite įkišti galvutę, laikydamiesi anksčiau išdėstytų nurodymų.

**PASTABA:** Įdėję galvutę, įsitikinkite, ar ji tvirtai pritvirtinta. Jei ji iškrenta, nenaudokite jos.

## NAUDOJIMAS

**▲PERSPĖJIMAS:** Lenkdami įrankį smūginio tipo naudojimui arba tiesindami tiesaus tipo naudojimui, nelaikykite už besilankstančios įrankio dalies. Laikant už šios dalies, jūsų ranka ir pirštai gali būti sugnybti arba sužaloti.

Įrankį galima naudoti dviem būdais: tiesiu ir smūginiu, kurie yra pasirenkami priklausomai nuo darbo vietos ir sukimo sąlygų.

► **Pav.10:** 1. Tiesus tipas 2. Smūginis tipas

## Varžtų sukimas

**▲ PERSPĖJIMAS:** Sureguliuokite reguliavimo žiedą tinkamam jūsų darbo lygiui.

**▲ PERSPĖJIMAS:** Patikrinkite, ar sukutvas įstatytas tiesiai į varžto galvutę, nes galima sugadinti varžtą ir (arba) sukutvo galvutę.

Pridėkite varžtų sukutvo galvutę prie varžto galvutės ir paspauskite įrankį. Pradėkite dirbti įrankiu mažu greičiu ir palaipsniui didinkite greitį. Atleiskite mygtuką, kai tik įlenda griebtuvas.

► **Pav.11**

**PASTABA:** Norėdami sukuti medvaržčius, iš anksto išgręžkite vedančiąsias 2/3 varžto skersmens skylutes. Tuomet medvaržčius sukuti bus lengviau ir ruošinys neskilinės.

## Gręžimas

Pirmiausiai pasukite reguliavimo žiedą taip, kad rodyklė būtų nukreipta į žymą. Toliau atlikite šiuos veiksmus.

## Medienos gręžimas

Kai gręžiate medieną, geriausi rezultatai gaunami su grąžtais, turinčiais pagrindinį varžtą. Kreipiamasis sraigtas palengvina gręžimą, įtraukdamas grąžto galvutę į ruošinį.

## Metalo gręžimas

Kad grąžto galvutė neslystų, kai pradėdote gręžti skylę, įmuškite duobutę centro muškekliu ir plaktuku numatomoje gręžimo vietoje. Pridėkite grąžto galvutės galą prie judimo ir pradėkite gręžti.

Gręždami metalus, naudokite pjovimo tepalą. Išimties – geležis ir žalvaris, kuriuos reikia gręžti sausai.

**▲ PERSPĖJIMAS:** Per didelį įrankio spaudimą nepagreitins gręžimo. Iš tikrųjų dėl tokio spaudimo gali būti pažeista grąžto galvutė, pablogėti įrankio darbas ir sutrumpėti jo eksploataavimo trukmė.

**▲ PERSPĖJIMAS:** Laikykite įrankį tvirtai ir atsargiai žiūrėkite, kada grąžto galvutė pradės gręžti ruošinį. Įrankį / grąžto galvutę veikia didelė sukamoji jėga, kai gręžiama skylė.

**▲ PERSPĖJIMAS:** Įstrigusią grąžto galvutę galima ištraukti tiesiog atbulinės eigos jungiklį nustatant į atbulinės eigos padėtį. Tačiau įrankis gali grubiai judėti atgal, jei tvirtai nelaikysite įrankio.

**▲ PERSPĖJIMAS:** Visada pritvirtinkite apdirbamus gaminius spaustuvoje arba panašiam prietaisui.

**▲ PERSPĖJIMAS:** Jei įrankis naudojamas tol, kol akumulatoriaus kasetė išsikrauna, leiskite įrankiui pailsėti 15 minučių prieš tęsdami su kitu akumulatoriumi.

## Įrankio kaip rankinio sukutvo naudojimas.

► **Pav.12**

Išjunkite įrankį.

Perkelkite užrakto svirtį į užrakintą padėtį .

Ijunkite įrankį.

**PASTABA:** Naudokite įrankį, kurio užveržimo sukimo momentas mažesnis kaip 5 N•m (50 kgf•cm).

**PASTABA:** Nenaudokite įrankio darbui, reikalaujančiam didelės jėgos, pvz., veržti M6 tipo varžtams ar varžtams, didesniems nei M6, arba atsukti surūdijusius varžtus.

**PASTABA:** Taip patogu patikrinti varžto sukimą.

## TECHNINĖ PRIEŽIŪRA

**▲ PERSPĖJIMAS:** Visuomet įsitinkinkite, ar įrankis yra išjungtas ir akumulatoriaus kasetė yra nuimta prieš atlikdami apžiūrą ir priežiūrą.

**PASTABA:** Niekada nenaudokite gazolino, benzino, tirpiklio, spirito arba panašių medžiagų. Gali atsirasti išblukimų, deformacijų arba įtrūkimų.

Kad gaminyt būtų SAUGUS ir PATIKIMAS, jį taisyti, apžiūrėti ar vykdyti bet kokią kitą priežiūrą ar derinimą turi įgaliotasis kompanijos „Makita“ techninės priežiūros centras; reikia naudoti tik kompanijos „Makita“ pagamintas atsargines dalis.

## PASIRENKAMI PRIEDAI

**▲ PERSPĖJIMAS:** Šiuos papildomus priedus arba įtaisus rekomenduojama naudoti su šioje instrukcijoje nurodytu „Makita“ bendrovės įrankiu. Naudojant bet kokius kitus papildomus priedus arba įtaisus, gali kilti pavojus sužeisti žmones. Naudokite tik nurodytą tikslui skirtus papildomus priedus arba įtaisus.

Jeigu norite daugiau sužinoti apie tuos priedus, kreipkitės į artimiausią „Makita“ techninės priežiūros centrą.

- Grąžtai
- Sukutvo galvutės
- Sukimo antgaliai
- Grąžtas
- Plastikinis dėklas
- Originalus „Makita“ akumulatorius ir įkroviklis

**PASTABA:** Kai kurie sąraše esantys priedai gali būti pateikti įrankio pakuotėje kaip standartiniai priedai. Jie įvairiose šalyse gali skirtis.

## TEHNILISED ANDMED

Mudel:		DF012D
Puurimisvõimekus	Teras	5 mm
	Puit	6 mm
Kinnitamisvõimekus	Puidukruvi	ø3,8 mm × 45 mm
	Metallikruvi	M5
Koorumuse kiirus	Kiire (2)	650 min <sup>-1</sup>
	Aeglane (1)	200 min <sup>-1</sup>
Üldpikkus	Sirges asendis	273 mm
	Püstoli asendis	218 mm
Nimipinge		Alalisvool 7,2 V
Akukassett		BL0715
Netomass		0,53 kg

- Meie pideva uuringu- ja arendusprogrammi tõttu võidakse tehnilisi andmeid muuta ilma sellest ette teatamata.
- Tehnilised andmed ja akukassett võivad riigiti erineda.
- Kaal koos akukassetiga, EPTA-protseduuri 01/2014 kohaselt

### Kavandatud kasutus

See tööriist on mõeldud puidu, metalli ja plasti puurimiseks ning sinna kruvide keeramiseks.

### Müra

Tüüpiline A-korrigeeritud müratase, määratud standardi EN60745 kohaselt:

Helirõhutase ( $L_{pA}$ ): 70 dB (A) või vähem  
Määramatus (K): 3 dB (A)

Töötamisel võib müratase ületada 80 dB (A).

**⚠ HOIATUS:** Kasutage kõrvakaitsmeid.

### Vibratsioon

Vibratsiooni koguväärtus (kolmeteljeliste vektorite summa) määratud standardi EN60745 kohaselt:

Töörežiim: metalli puurimine  
Vibratsiooniheide ( $a_{h,D}$ ): 2,5 m/s<sup>2</sup> või vähem  
Määramatus (K): 1,5 m/s<sup>2</sup>

**MÄRKUS:** Deklareeritud vibratsiooniheite väärtus on mõõdetud kooskõlas standardse testimismeetodiga ning seda võib kasutada ühe seadme võrdlemiseks teisega.

**MÄRKUS:** Deklareeritud vibratsiooniheite väärtust võib kasutada ka mürataseme esmaseks hindamiseks.

**⚠ HOIATUS:** Vibratsioonitase võib elektritööriista tegelikkuses kasutamise ajal erineda deklareeritud väärtusest olenevalt tööriista kasutamise viisidest.

**⚠ HOIATUS:** Rakendage operaatori kaitsmiseks kindlasti piisavaid ohutusabinõusid, mis põhinevad hinnangulisel müratasemel tegelikus tööolukorras (võttes arvesse tööperioodi kõiki osasid, nagu näiteks korrad, kui seade lülitatakse välja ja seade töötab tühikäigul, lisaks tööajale).

### EÜ vastavusdeklaratsioon

*Ainult Euroopa riikide puhul*

EÜ vastavusdeklaratsioon sisaldub käesoleva juhendi Lisas A.

## OHUTUSHOIATUSED

### Üldised elektritööriistade ohutushoiatused

**⚠ HOIATUS:** Lugege läbi kõik selle elektritööriistaga kaasas olevad ohutushoiatused, juhised, joonised ja tehnilised andmed. Järgnevate juhiste eiramine võib põhjustada elektrilöögi, süttimise ja/või raske kehavigastuse.

### Hoidke edaspidisteks viideteks alles kõik hoiatused ja juhtnöörid.

Hoiatuses kasutatud termini „elektritööriist“ all peetakse silmas elektriga töötavaid (juhtmega) elektritööriistu või akuga töötavaid (juhtmeta) elektritööriistu.

### Juhtmeta trell-kruvikeeraja ohutusnõuded

1. **Kasutage lisakäepidet/pidemeid, kui need on tööriistadega kaasas.** Kontrolli puudumine võib põhjustada inimestele vigastusi.
2. **Hoidke elektritööriista isoleeritud käepidemet, kui löikate ja löikeriist võib kokku puutuda peidetud juhtmetega.** Voolu all oleva juhtmega kokkupuutesse sattunud löiketera võib pingestada elektritööriista metallosi ning põhjustada kasutajale elektrilöögi.
3. **Hoidke elektritööriista isoleeritud haardepindadest, kui töötate kohas, kus kinnituvahend võib sattuda kokkupuutesse varjatud elektrijuhtmetega.** Kinnitustetaili kokkupuude elektrijuhtmetega võib pingestada tööriista avatud metallosad, mille tulemusel võib operaator saada elektrilöögi.

4. Veenduge alati, et teie jalgealune oleks kindel. Kui töötate kõrguses, siis jälgige, et teist allpool ei viibiks inimesi.
5. Hoidke tööriistast kindlalt kinni.
6. Hoidke käed eemal pöörlevatest osadest.
7. Ärge jätke tööriista käima. Käivitage tööriist ainult siis, kui hoiate seda käes.
8. Ärge puutuge puuri või töödeldavat detaili vahetult peale puurimist; need võivad olla väga kuumad ja põhjustada põletushaavu.
9. Mõned materjalid võivad sisaldada mürgiseid aineid. Võtke meetmed tolm sissehingamise ja nahaga kokkupuute vältimiseks. Järgige materjali tarnija ohutusteavet.

## HOIDKE JUHEND ALLES.

**⚠️HOIATUS:** ÄRGE UNUSTAGE järgida toote ohutusnõudeid mugavuse või toote (korduskasutamise saavutatud) hea tundmise tõttu. VALE KASUTUS või kasutusjuhendi ohutuseeskirjade eiramine võib põhjustada tervisekahjustusi.

### Akukassetiga seotud olulised ohutusjuhised

1. Enne akukassetti kasutamist lugege (1) akulaadiljal, (2) akul ja (3) seadmel olevad juhtnõidid ja hoiatused läbi.
  2. Ärge võtke akukassetti lahti.
  3. Kui tööaeg järsult lüheneb, siis lõpetage kohe kasutamine. Edasise kasutamise tulemuseks võib olla ülekuumenemisoht, võimalikud põletused või isegi plahvatus.
  4. Kui elektrolüüti satub silma, siis loputage silma puhta veega ja pöörduge koheselt arsti poole. Selline õnnetus võib põhjustada pimedaksjäämist.
  5. Ärge tekitage akukassetis lühist:
    - (1) Ärge puutuge klemme elektrijuhtidega.
    - (2) Ärge hoidke akukassetti tööriistakassis koos metalliesemetega, nagu naelad, mündid jne.
    - (3) Ärge tehke akukassetti märjaks ega jätke seda vihma kätte.
- Aku lühis võib põhjustada tugevat elektri-voolu, ülekuumenemist, põletusi ning ka seadet tõsiselt kahjustada.
6. Ärge hoidke tööriista ja akukassetti kohtades, kus temperatuur võib tõusta üle 50 °C.
  7. Ärge põletage akukassetti isegi siis, kui see on saanud tõsiselt vigastada või on täiesti kulumud. Akukassetti võib tules plahvatada.
  8. Olge ettevaatlik, ärge laske akul maha kukkuda ja vältige lööke.
  9. Ärge kasutage kahjustatud akut.
  10. Sisalduvatele liitium-ioonakudele võivad kohalduda ohtlike kaupade õigusaktide nõuded. Kaubanduslikul transportimisel, näiteks kolmandate poolte või transpordiettevõtete poolt, tuleb järgida pakendil ja siltidel toodud erinõudeid. Transportimiseks ettevalmistamisel on vajalik pidada nõu ohtliku materjali eksperdigaga. Samuti tuleb järgida võimalike riiklike regulatsioonide üksikasjalikumaid nõudeid. Katke teibiga või varjake avatud kontaktid ja pakendage aku selliselt, et see ei saaks pakendis liikuda.

11. Järgige kasutuskõlbatuks muutunud aku käitlemisel kohalikke eeskirju.

## HOIDKE JUHEND ALLES.

**⚠️ETTEVAATUST:** Kasutage ainult Makita originaalalakesid. Mitte Makita originaalalake või muudetud akude kasutamine võib põhjustada akude süttimise, kehavigastuse ja kahjustuse. Samuti muudab see kehtetuks Makita tööriista ja laadija Makita garantii.

## Vihjeid aku maksimaalse kasutuse tagamise kohta

1. Laadige akukassetti enne selle täieliku tühjenemist. Kui märkate, et tööriist töötab väiksema võimsusega, peatage töö ja laadige akukassetti.
2. Ärge laadige täielikult laetud akukassetti. Ülelaadimine lühendab akude kasutusiga.
3. Laadige akukassetti toatemperatuuril 10 °C - 40 °C. Enne laadimist laske kuumenenud akukassetti maha jahtuda.

## FUNKSIONAALNE KIRJELDUS

**⚠️ETTEVAATUST:** Kandke alati hoolt selle eest, et tööriist oleks enne reguleerimist ja kontrollimist välja lülitatud ja akukassett eemaldatud.

### Akukassetti paigaldamine või eemaldamine

**⚠️ETTEVAATUST:** Lülitage tööriist alati enne akukassetti paigaldamist või eemaldamist välja.

**⚠️ETTEVAATUST:** Akukassetti paigaldamisel või eemaldamisel tuleb tööriista ja akukassetti kindlalt paigal hoida. Kui tööriista ja akukassetti ei hoita kindlalt paigal, võivad need käest libiseda ning kahjustada tööriista ja akukassetti või põhjustada kehavigastusi.

► Joon.1: 1. Nupp 2. Akukassett

Akukassetti äravõtmiseks eemaldage see tööriistast vajutusega kassetti mõlemal küljel paiknevatele nuppudele.

Akukassetti paigaldamiseks joondage akukassetti keel korpusse soonega ja libistage kassett kohale.

**⚠️ETTEVAATUST:** Paigaldage see nii kaugele, et see lukustuks klõpsatusega oma kohale. Muudu võib see juhuslikult tööriistast välja kukkuda ning põhjustada teile või läheduses viibivatele isikutele vigastusi.

**⚠️ETTEVAATUST:** Ärge rakendage akukassetti paigaldamisel jõudu. Kui kassett ei lähe kergesti sisse, pole see õigesti paigaldatud.

## Aku kaitsesüsteem

Tööriist on varustatud aku kaitsesüsteemiga. Süsteem lülitab mootori automaatselt välja, et pikendada aku tööiga. Tööriist seiskub käitamise ajal automaatselt, kui tööriista ja/või aku kohta kehtivad järgmised tingimused:

### Madal akupinge:

Järelejäänud aku voolutugevus on liiga väike ja tööriist ei tööta. Tööriista sisse lülitades hakkab mootor tööle, kuid seiskub peatselt. Sellisel juhul eemaldage aku ja laadige seda.

## Lukustushoob

**⚠ETTEVAATUST:** Kui tööriista ei kasutata, hoidke lukustushooba alati lukustatud asendis B.

► **Joon.2:** 1. Lukustushoob

Kui lukustushoob on lukustatud asendis B, ei saa lüliti kasutada. Kui lukustushoob on avatud asendis A, saab lüliti kasutada.

## Lüliti funktsioneerimine

**⚠ETTEVAATUST:** Kontrollige alati enne akukasseti paigaldamist tööriista, kas lüliti töötab nõuetekohaselt ja liigub vabastamisel tagasi väljalülitatud asendisse.



**⚠ETTEVAATUST:** Enne töö alustamist kontrollige alati pöörlemise suunda.

► **Joon.3:** 1. Lukustushoob 2. Lüliti

Tööriista käivitamiseks liigutage lüliti vabastamiseks kõigepealt lukustushoob avatud asendisse A. Seejärel vajutage lihtsalt lüliti päripäeva pöörlemiseks C-poolle ↶ ja vastupäeva pöörlemiseks D-poolle ↷. Seiskamiseks vabastage lüliti.

## Kinnitamiste väändmomendi reguleerimine

► **Joon.5:** 1. Reguleerimisrõngas 2. Mõõteskaala 3. Nool

Pingutusjõude saab reguleerimisrõngast pöörates 22 astme ulatuses muuta. Viige gradeerimisnumbrid kohakuti tööriista korpusel oleva noolega. Minimaalse pingutusjõu saate „1” ja maksimaalse pingutusjõu  märgise juures. Sidur libiseb erinevatel väändmomendi tasemetel, kui seadeks on number 1 kuni 21. Märgise  juures sidur ei toimi. Enne tegelikku kasutamist kruvige proovikruvi oma materjali või duplikaatmaterjali tüki sisse, et teha kindlaks, kui suurt pöördemomenti on konkreetse rakenduse puhul vaja.

**MÄRKUS:** Vaadake alljärgnevast tabelist pöördemomendi numברי ja kinnitamise pöördemomendi vahelist seost.

Kinnitamise pöördemoment erineb olenevalt materjalist. Enne töö alustamist tehke proovikinnitamine, et saavutada soovitud pöördemoment.

### Automaatseiskamise siduri suunis

Automaatseiskamise siduri töövahemik		Kinnitamise pöördemomendi sammad reguleerimisrõngal	Väändmoment
Kiire	Aeglane		
✓	✓	1	Ligikaudu 0,3 N•m (ligikaudu 3 kgf•cm)
✓	✓	5	Ligikaudu 0,82 N•m (ligikaudu 8,4 kgf•cm)
✓	✓	9	Ligikaudu 1,35 N•m (ligikaudu 13,8 kgf•cm)
-	✓	13	Ligikaudu 1,88 N•m (ligikaudu 19,2 kgf•cm)
-	✓	17	Ligikaudu 2,41 N•m (ligikaudu 24,6 kgf•cm)

**TÄHELEPANU:** Muutke pöörlemissuunda alles pärast tööriista täielikku seiskumist. Suuna muutmine enne tööriista seiskumist võib tööriista kahjustada.

## Kiiruse muutmine

► **Joon.4:** 1. Kiiruseregulaatori hoob


**⚠ETTEVAATUST:** Seadke kiiruseregulaatori hoob alati korralikult õigesse asendisse. Tööriista kasutamine selliselt, et kiiruseregulaatori hoob paikneb „1” ja „2” asendi vahel, võib tööriista kahjustada.

**⚠ETTEVAATUST:** Ärge kasutage kiiruseregulaatori hooba siis, kui tööriist töötab. See võib tööriista kahjustada.

Kiiruse vahetamise hoova asend	Kiirus	Väändmoment	Sobiv toiming
1	Kiire	Aeglane	Suure koormusega töötamine
2	Aeglane	Kiire	Kerge koormusega töötamine

Kiiruse muutmiseks lülitage tööriist kõigepealt välja. Valige „2” suure kiiruse jaoks või „1” väikese kiiruse, kuid suure väändmomendi jaoks. Veenduge, et enne töö alustamist oleks kiiruseregulaatori hoob õiges asendis.

Kui tööriista kiirus väheneb olulisel määral asendis „2” töötamise ajal, siis lükake hoob asendisse „1” ja alustage uuesti tööd.

Automaatseiskamise siduri töövahemik		Kinnitamise pöördemomendi sammud reguleerimisrõngal	Vändemoment
Kiire	Aeglane		
-	✓	21	Ligikaudu 2,9 N•m (ligikaudu 30 kgf•cm)
-	-		Madalal kiirusel ligikaudu 8 N•m (ligikaudu 81.6 kgf•cm)
-	-		Suurel kiirusel ligikaudu 1,5 N•m (ligikaudu 14,7 kgf•cm)

Masinakruvide kruvimine	Sammud	Masinakruvi läbimõõdu suunis
	1 - 3	2,5 mm
	4 - 8	3 mm
	9 - 18	4 mm
	19 - 21	5 mm

## Eesmise lambi süütamine

**⚠ETTEVAATUST:** Ärge vaadake otse valgusse ega valgusalikalt.

Tule sisselülitamiseks lükake lambi lüliti asendisse A. Tule väljalülitamiseks lükake lambi lüliti asendisse B. Isegi kui jätate tule põlema, lülitub see viie minuti pärast automaatselt välja.

► **Joon.6:** 1. Lambi lüliti 2. Lamp

**MÄRKUS:** Lamp annab kasutamise ajal vilkumise märgu, kui aku on peaaegu tühi.

Sel juhul laadige akut või asendage see täielikult laetud akuga.

## Protseduur 1

► **Joon.8:** 1. Kruvikeeraja otsak 2. Hülss

Kruvikeeraja otsaku paigaldamiseks tõmmake hülssi noole suunas ja torgake kruvikeeraja otsak võimalikult sügavale hülssi. Seejärel vabastage hülss kruvikeeraja otsaku kinnitamiseks.

## Protseduur 2

Lisaks protseduurile 1 tuleb otsak sisestada hülssi nii, et selle terav ots oleks suunaga sissepoole.

► **Joon.9:** 1. Kruvikeeraja otsak 2. Otsakuhoidik 3. Hülss

Kruvikeeraja otsaku eemaldamiseks tõmmake hülssi noole suunas ja tõmmake kruvikeeraja otsak välja.

**MÄRKUS:** Kui kruvikeeraja otsakut ei panda piisavalt sügavale hülssi, ei pöördu hülss tagasi algasendisse ja kruvikeeraja otsak ei fikseeru. Sel juhul proovige otsakut eespool toodud suuniste kohaselt uuesti paigaldada.

**MÄRKUS:** Pärast kruvikeeraja otsaku sisestamist kontrollige, kas see on tugevalt kinni. Kui see ei tule enam välja, ärge kasutage seda.

## KOKKUPANEK

**⚠ETTEVAATUST:** Kandke alati hoolt selle eest, et tööriist oleks enne igasuguseid hooldustöid välja lülitatud ja akukassett eemaldatud.

## Kruvikeeraja otsaku/sokliotsaku paigaldamine või eemaldamine

► **Joon.7**

Kasutage ainult otsakut/sokliotsakut, mille sisestatav osa on joonisel näidatud. Ärge kasutage teistsuguseid kruvikeeraja otsakuid / sokliotsakuid.

**Madala kruvikeeraja otsaku avaga seadmele**

A = 12 mm B = 9 mm	Kasutage ainult seda tüüpi kruvikeeraja otsakut. Järgige toimingut 1. (Märkus) Otsakuhoidik ei ole vajalik.
-----------------------	---

**Sügava kruvikeeraja otsaku avaga seadmele**

A = 17 mm B = 14 mm	Seda tüüpi kruvikeeraja otsakute paigaldamiseks järgige toimingut 1.
A = 12 mm B = 9 mm	Seda tüüpi kruvikeeraja otsakute paigaldamiseks järgige toimingut 2. (Märkus) Otsaku paigaldamiseks on vajalik otsakuhoidik.

## TÖÖRIISTA KASUTAMINE

**⚠ETTEVAATUST:** Kui painutate tööriista püstoli asendis kasutamiseks või tõmbate sirges asendis kasutamiseks, ärge hoidke tööriista selle väanatavast osast. Selle juhise eiramise korral võivad teie käsi ja sõrmed vigastada saada.

Olenevalt töökohta ja kruvi keeramise tingimustest saab tööriista kasutada kahel viisil: sirgelt ja püstolina.

► **Joon.10:** 1. Sirge asend 2. Püstoli asend

## Kruvikeeraja režiim

**⚠ETTEVAATUST:** Reguleerige regulaatorrõngas tööks sobivale vändemomendi tasemele.


**⚠ETTEVAATUST:** Veenduge, et kruvikeeraja otsak oleks asetatud kruvipeasse otse, sest muidu võite kruvi ja/või kruvikeeraja otsakut kahjustada.

Asetage kruvikeeraja otsaku tipp kruvipeasse ja suruge tööriistale. Käivitage tööriist aeglaselt ja seejärel suured järk-järgult kiirust. Vabastage lüliti päästik niipea, kui sidur rakendub.

► Joon.11

**MÄRKUS:** Puidukruvi paigaldamisel puurige enne juhtauk, mille läbimõõt moodustab 2/3 kruvi läbimõõdust. See hõlbustab kruvi paigaldamist ja aitab vältida töödeldava detaili lõhenemist.

## Puurimisrežiim

Smalt pöörake reguleerimisrõngast nii, et nool oleks suunatud märgisele . Seejärel tegutsuge järgmiselt.

## Puidu puurimine

Puidu puurimise hõlbustamiseks kasutage juhtkruviga puure. Juhtkruvi lihtsustab puurimist, tõmmates kruvikeeraja otsaku pinna sisse.

## Metalli puurimine

Puuriotsaku libisemise vältimiseks puurimise alustamise hetkel, tehke puuritavasse kohta kärni ja haamriga mäрге. Asetage puuriotsaku tipp märgi kohale ja alustage puurimist. Metallide puurimisel kasutage lõikuri määreõli. Erandiks on raud ja messing, mida tuleks puurida kuival.

**⚠ETTEVAATUST:** Liiga suur surve seadmele ei kiirenda puurimist. Liigne surve hoopis kahjustab puuriotsaku tippu, vähendab seadme efektiivsust ja lühendab seadme tööiga.

**⚠ETTEVAATUST:** Hoidke tööriista kindlat ning olge tähelepanelik, kui puuriotsak hakkab puuritava materjalist läbi tungima. Materjali läbistamisel rakendub tööriistale/puuriotsakule väga suur jõud.

**⚠ETTEVAATUST:** Kinnikiilunud puuriotsaku saab lihtsalt vabastada, kui muudate puuri pöörlemissuuna vastupidiseks. Kui tööriista ei hoita kindlat, võib see ootamatult tagasi viskuda.


**⚠ETTEVAATUST:** Kinnitage töödeldavad esemed alati kruustangide või mõne sarnase kinnitusvahendiga.

**⚠ETTEVAATUST:** Kui tööriistaga töötatakse järjest seni, kuni akukassett on tühi, laske tööriistal enne uue akuga töö jätkamist 15 minutit seista.

## Tööriista kasutamine käsikruvikeerajana

► Joon.12

Lülitage tööriist välja.

Liigutage lukustushoob lukustatud asendisse .

Pöörake tööriista.

**TÄHELEPANU:** Kasutage tööriista väiksema pöördemomendiga kui 5 N•m (50 kgf•cm).

**TÄHELEPANU:** Ärge kasutage tööriista suurt jõudu nõudvate tööde jaoks, nagu poldi M6 või suuremate poltide kui M6 kinnitamine või roostetanud kruvide eemaldamine.

**MÄRKUS:** Selline kasutusviis on mugav kruvikeeramise kontrolliks.

## HOOLDUS

**⚠ETTEVAATUST:** Enne kontroll- või hooldustoimingute tegemist kandke alati hoolt selle eest, et tööriist oleks välja lüüritatud ja akukassett korpuse küljest eemaldatud.

**TÄHELEPANU:** Ärge kunagi kasutage bensiini, vedeldit, alkoholi ega midagi muud sarnast. Selle tulemuseks võib olla luitumine, deformatsioon või pragunemine.

Toote OHUTUSE ja TÖÖKINDLUSE tagamiseks tuleb vajalikud remonttööd ning muud hooldus- ja reguleerimistööd lasta teha Makita volitatud teeninduskeskustes või tehase teeninduskeskustes. Alati tuleb kasutada Makita varuosi.

## VALIKULISED TARVIKUD

**⚠ETTEVAATUST:** Neid tarvikuid ja lisaseadiseid on soovitatav kasutada koos Makita tööriistaga, mille kasutamist selles kasutusjuhendis kirjeldatakse. Muude tarvikute ja lisaseadiste kasutamisega kaasneb vigastada saamise oht. Kasutage tarvikuid ja lisaseadiseid ainult otstarbekohaselt.

Saate vajaduse korral kohalikust Makita teeninduskeskusest lisateavet nende tarvikute kohta.

- Puurid
- Kruvikeeraja otsakud
- Sokliga otsakud
- Otsakumoodul
- Plastist kandekohver
- Makita algupärane aku ja laadija

**MÄRKUS:** Mõned nimekirjas loetletud tarvikud võivad kuuluda standardvarustusse ning need on lisatud tööriista pakendisse. Need võivad riigiti erineda.

## ТЕХНИЧЕСКИЕ ХАРАКТЕРИСТИКИ

<b>Модель:</b>		<b>DF012D</b>
Максимальный диаметр сверления	Сталь	5 мм
	Дерево	6 мм
Усилие затяжки	Шуруп	∅3,8 мм x 45 мм
	Мелкий крепежный винт	M5
Число оборотов без нагрузки	Высокое (2)	650 мин <sup>-1</sup>
	Низкое (1)	200 мин <sup>-1</sup>
Общая длина	В прямом виде	273 мм
	В виде пистолета	218 мм
Номинальное напряжение		7,2 В пост. тока
Блок аккумулятора		BL0715
Масса нетто		0,53 кг

- Благодаря нашей постоянно действующей программе исследований и разработок указанные здесь технические характеристики могут быть изменены без предварительного уведомления.
- Технические характеристики и аккумуляторный блок могут отличаться в зависимости от страны.
- Масса (с блоком аккумулятора) в соответствии с процедурой ЕРТА 01.2014

### Назначение

Инструмент предназначен для сверления и закручивания шурупов в дерево, металл и пластик.

### Шум

Типичный уровень взвешенного звукового давления (A), измеренный в соответствии с EN60745:  
 Уровень звукового давления (L<sub>рA</sub>): 70 дБ (или менее)  
 Погрешность (K): 3 дБ (A)

Уровень шума при выполнении работ может превышать 80 дБ (A).

**⚠ ОСТОРОЖНО:** Используйте средства защиты слуха.

### Вибрация

Суммарное значение вибрации (сумма векторов по трем осям), определенное в соответствии с EN60745:

Рабочий режим: сверление металла  
 Распространение вибрации (a<sub>н,в</sub>): 2,5 м/с<sup>2</sup> или менее  
 Погрешность (K): 1,5 м/с<sup>2</sup>

**ПРИМЕЧАНИЕ:** Заявленное значение распространения вибрации измерено в соответствии со стандартной методикой испытаний и может быть использовано для сравнения инструментов.

**ПРИМЕЧАНИЕ:** Заявленное значение распространения вибрации можно также использовать для предварительных оценок воздействия.

**⚠ ОСТОРОЖНО:** Распространение вибрации во время фактического использования электроинструмента может отличаться от заявленного значения в зависимости от способа применения инструмента.

**⚠ ОСТОРОЖНО:** Обязательно определите меры безопасности для защиты оператора, основанные на оценке воздействия в реальных условиях использования (с учетом всех этапов рабочего цикла, таких как выключение инструмента, работа без нагрузки и включение).

### Декларация о соответствии ЕС

*Только для европейских стран*

Декларация о соответствии ЕС включена в руководство по эксплуатации (Приложение А).

## МЕРЫ БЕЗОПАСНОСТИ

### Общие рекомендации по технике безопасности для электроинструментов

**⚠ ОСТОРОЖНО:** Ознакомьтесь со всеми представленными инструкциями по технике безопасности, указаниями, иллюстрациями и техническими характеристиками, прилагаемыми к данному электроинструменту. Несоблюдение каких-либо инструкций, указанных ниже, может привести к поражению электрическим током, пожару и/или серьезной травме.



## Сохраните брошюру с инструкциями и рекомендациями для дальнейшего использования.

Термин "электроинструмент" в предупреждениях относится ко всему инструменту, работающему от сети (с проводом) или на аккумуляторах (без провода).

### Меры безопасности при использовании аккумуляторной дрели-шуруповерта

1. Используйте дополнительную ручку (если входит в комплект инструмента). Утрата контроля над инструментом может привести к травме.
2. Если при выполнении работ существует риск контакта режущего инструмента со скрытой электропроводкой, держите электроинструмент за специально предназначенные изолированные поверхности. Контакт с проводом под напряжением приведет к тому, что металлические детали инструмента также будут под напряжением, что приведет к поражению оператора электрическим током.
3. Если при выполнении работ существует риск контакта инструмента со скрытой электропроводкой, держите электроинструмент за специально предназначенные изолированные поверхности. Контакт с проводом под напряжением приведет к тому, что металлические детали инструмента также будут под напряжением, что приведет к поражению оператора электрическим током.
4. При выполнении работ всегда занимайте устойчивое положение. При использовании инструмента на высоте убедитесь в отсутствии людей внизу.
5. Крепко держите инструмент.
6. Руки должны находиться на расстоянии от вращающихся деталей.
7. Не оставляйте работающий инструмент без присмотра. Включайте инструмент только тогда, когда он находится в руках.
8. Сразу после окончания работ не прикасайтесь к головке сверла или детали. Они могут быть очень горячими, что приведет к ожогам кожи.
9. Некоторые материалы могут содержать токсичные химические вещества. Примите соответствующие меры предосторожности, чтобы избежать вдыхания или контакта с кожей таких веществ. Соблюдайте требования, указанные в паспорте безопасности материала.

## СОХРАНИТЕ ДАННЫЕ ИНСТРУКЦИИ.

**▲ ОСТОРОЖНО:** НЕ ДОПУСКАЙТЕ, чтобы удобство или опыт эксплуатации данного устройства (полученный от многократного использования) доминировали над строгим соблюдением правил техники безопасности при обращении с этим устройством. НЕПРАВИЛЬНОЕ ИСПОЛЬЗОВАНИЕ инструмента или несоблюдение правил техники безопасности, указанных в данном руководстве, может привести к тяжелой травме.

## Важные правила техники безопасности для работы с аккумуляторным блоком

1. Перед использованием аккумуляторного блока прочитайте все инструкции и предупреждающие надписи на (1) зарядном устройстве, (2) аккумуляторном блоке и (3) инструменте, работающем от аккумуляторного блока.
2. Не разбирайте аккумуляторный блок.
3. Если время работы аккумуляторного блока значительно сократилось, немедленно прекратите работу. В противном случае, может возникнуть перегрев блока, что приведет к ожогам и даже к взрыву.
4. В случае попадания электролита в глаза промойте их обильным количеством чистой воды и немедленно обратитесь к врачу. Это может привести к потере зрения.
5. Не замыкайте контакты аккумуляторного блока между собой:
  - (1) Не прикасайтесь к контактам какими-либо токопроводящими предметами.
  - (2) Не храните аккумуляторный блок в контейнере вместе с другими металлическими предметами, такими как гвозди, монеты и т. п.
  - (3) Не допускайте попадания на аккумуляторный блок воды или дождя.Замыкание контактов аккумуляторного блока между собой может привести к возникновению большого тока, перегреву, возможным ожогам и даже поломке блока.
6. Не храните инструмент и аккумуляторный блок в местах, где температура может достигать или превышать 50 °C (122 °F).
7. Не бросайте аккумуляторный блок в огонь, даже если он сильно поврежден или полностью вышел из строя. Аккумуляторный блок может взорваться под действием огня.
8. Не роняйте и не ударяйте аккумуляторный блок.
9. Не используйте поврежденный аккумуляторный блок.
10. Входящие в комплект литий-ионные аккумуляторы должны эксплуатироваться в соответствии с требованиями законодательства об опасных товарах. При коммерческой транспортировке, например, третьей стороной или экспедитором, необходимо нанести на упаковку специальные предупреждения и маркировку. В процессе подготовки устройства к отправке обязательно проконсультируйтесь со специалистом по опасным материалам. Также соблюдайте местные требования и нормы. Они могут быть строже. Закройте или закрепите разомкнутые контакты и упакуйте аккумулятор так, чтобы он не перемещался по упаковке.
11. Выполняйте требования местного законодательства относительно утилизации аккумуляторного блока.

## СОХРАНИТЕ ДАННЫЕ ИНСТРУКЦИИ.

**⚠ВНИМАНИЕ:** Используйте только фирменные аккумуляторные батареи Makita. Использование аккумуляторных батарей, не произведенных Makita, или батарей, которые были подвергнуты модификациям, может привести к взрыву аккумулятора, пожару, травмам и повреждению имущества. Это также автоматически аннулирует гарантию Makita на инструмент и зарядное устройство Makita.

## Советы по обеспечению максимального срока службы аккумулятора

1. Заряжайте блок аккумуляторов перед его полной разрядкой. Обязательно прекратите работу с инструментом и зарядите блок аккумуляторов, если вы заметили снижение мощности инструмента.
2. Никогда не подзаряжайте полностью заряженный блок аккумуляторов. Перезарядка сокращает срок службы аккумулятора.
3. Заряжайте блок аккумуляторов при комнатной температуре в 10 - 40 °C (50 - 104 °F). Перед зарядкой горячего блока аккумуляторов дайте ему остыть.

## ОПИСАНИЕ РАБОТЫ

**⚠ВНИМАНИЕ:** Перед регулировкой или проверкой функций инструмента обязательно убедитесь, что он выключен и его аккумуляторный блок снят.

### Установка или снятие блока аккумуляторов

**⚠ВНИМАНИЕ:** Обязательно выключайте инструмент перед установкой и извлечением аккумуляторного блока.

**⚠ВНИМАНИЕ:** При установке и извлечении аккумуляторного блока крепко удерживайте инструмент и аккумуляторный блок. Если не соблюдать это требование, они могут выскользнуть из рук, что приведет к повреждению инструмента, аккумуляторного блока и травмированию оператора.

► Рис.1: 1. Кнопка 2. Блок аккумулятора

Для снятия блока аккумулятора нажмите две кнопки с обеих сторон и извлеките блок.

Для установки блока аккумулятора совместите выступ блока аккумулятора с пазом в корпусе и задвиньте его на место.

**⚠ВНИМАНИЕ:** Обязательно установите блок до упора так, чтобы он зафиксировался на месте со щелчком. В противном случае блок может выпасть из инструмента и нанести травму вам или другим людям.

**⚠ВНИМАНИЕ:** Не прилагайте чрезмерных усилий при установке аккумуляторного блока. Если блок не двигается свободно, значит он вставлен неправильно.

## Система защиты аккумулятора

На инструменте предусмотрена система защиты аккумулятора. Она автоматически отключает питание двигателя для продления срока службы аккумулятора. Инструмент автоматически остановится во время работы при возникновении указанных ниже ситуаций, влияющих на инструмент и/или аккумулятор:

**Низкое напряжение аккумуляторной батареи:**

Уровень оставшейся емкости аккумулятора слишком низкий, и инструмент не работает. При включении инструмента электродвигатель запускается и вскоре останавливается. В этом случае снимите и зарядите аккумулятор.

## Стопорный рычаг

**⚠ВНИМАНИЕ:** Если инструмент не используется, обязательно устанавливайте стопорный рычаг в положение блокировки.

► Рис.2: 1. Стопорный рычаг

Когда стопорный рычаг находится в положении блокировки В, выключатель не действует. Когда стопорный рычаг находится в положении разблокировки А, выключатель действует.

## Действие выключателя

**⚠ВНИМАНИЕ:** Перед установкой блока аккумулятора на инструмент обязательно убедитесь, что его переключатель нормально работает и возвращается в положение "OFF" (ВЫКЛ.) при отпускании.

**⚠ВНИМАНИЕ:** Перед работой всегда проверьте направление вращения.

► Рис.3: 1. Стопорный рычаг 2. Выключатель

Чтобы включить инструмент, сначала переместите стопорный рычаг в положение разблокировки А (для разблокировки выключателя). Затем нажмите на сторону ⇐ С для вращения по часовой стрелке, или на сторону ⇒ D для вращения против часовой стрелки. Для выключения инструмента отпустите выключатель.

**ПРИМЕЧАНИЕ:** Меняйте направление вращения только после полной остановки инструмента. Изменение направления вращения до полной остановки инструмента может привести к его повреждению.

## Изменение скорости

► Рис.4: 1. Рычаг изменения скорости

**⚠ВНИМАНИЕ:** Всегда устанавливайте рычаг изменения скорости в правильное положение до конца. Если Вы работаете с инструментом, а рычаг изменения скорости находится посередине между обозначениями "1" и "2", это может привести к повреждению инструмента.

**⚠ВНИМАНИЕ:** Не используйте рычаг переключения скорости при работающем инструменте. Это может привести к повреждению инструмента.


Положение рычага переключения скорости	Скорость	Крутящий момент	Допустимые работы
1	Низкая	Высокая	Работа с высокой нагрузкой
2	Высокая	Низкая	Работа с малой нагрузкой


Для изменения скорости работы сначала выключите инструмент. Выберите положение "2" для высоких оборотов или положение "1" для низких оборотов с высоким крутящим моментом. Перед началом работ убедитесь в правильном положении рычага переключения скорости.

Если обороты инструмента значительно снизились во время работы в положении "2", переведите рычаг в положение "1" и продолжите работу.

## Регулировка крутящего момента затяжки

► **Рис.5:** 1. Регулировочное кольцо 2. Градуировка 3. Стрелка

Крутящий момент затяжки настраивается поворотом регулировочного кольца (предусмотрено 22 положения). Совместите градуировку со стрелкой на корпусе инструмента. Минимальному крутящему моменту затяжки соответствует положение 1, а максимальному – отметка .


Муфта будет проскальзывать при различных уровнях крутящего момента, установленного на значение от 1 до 21. Муфта не работает при выборе отметки .

Перед выполнением работы закрутите пробный болт в ваш материал или деталь из такого материала для определения необходимого крутящего момента для данного конкретного применения.

**ПРИМЕЧАНИЕ:** На графике ниже показано соотношение между номером настройки крутящего момента и усилием затяжки.

Усилие затяжки отличается на разных материалах. Чтобы выбрать подходящее усилие затяжки, перед началом работы сделайте пробную затяжку.

### Указатель для функции автоматической остановки муфты

Рабочий диапазон функции автоматической остановки муфты		Деления на шкале регулировочного кольца усилия затяжки	Момент затяжки
Высокая	Низкая		
✓	✓	1	Приблизительно 0,3 Нм (Приблизительно 3 кгс-см)
✓	✓	5	Приблизительно 0,82 Нм (Приблизительно 8,4 кгс-см)
✓	✓	9	Приблизительно 1,35 Нм (Приблизительно 13,8 кгс-см)
-	✓	13	Приблизительно 1,88 Нм (Приблизительно 19,2 кгс-см)
-	✓	17	Приблизительно 2,41 Нм (Приблизительно 24,6 кгс-см)
-	✓	21	Приблизительно 2,9 Нм (Приблизительно 30 кгс-см)
-	-		При низкой скорости, приблизительно 8 Нм (Приблизительно 81,6 кгс-см)
-	-		При высокой скорости, приблизительно 1,5 Нм (Приблизительно 14,7 кгс-см)

При закручивании мелких крепежных винтов	Увеличение	Диаметры мелких крепежных винтов
	1 - 3	2,5 мм
	4 - 8	3 мм
	9 - 18	4 мм
	19 - 21	5 мм

## Включение передней лампы

**⚠ВНИМАНИЕ:** Не смотрите непосредственно на свет или источник света.

Для включения подсветки переведите переключатель в положение А. Для выключения подсветки переведите переключатель в положение В. Если оставить подсветку включенной, она автоматически погаснет через 5 минут.

► **Рис.6:** 1. Выключатель лампы 2. Подсветка

**ПРИМЕЧАНИЕ:** При использовании подсветки лампа начинает мигать, когда заряд аккумулятора на исходе.

В этом случае зарядите аккумулятор или замените его полностью заряженным.

## СБОРКА

**⚠ВНИМАНИЕ:** Перед проведением каких-либо работ с инструментом обязательно убедитесь, что инструмент отключен, а блок аккумулятора снят.

### Установка или снятие насадки для отвертки/гнездовой биты

► **Рис.7**

Используйте только насадки для отвертки или гнездовые биты с хвостовиком, указанным на рисунке. Не используйте насадки для отвертки или гнездовые биты других типов.

Для инструмента с небольшим углублением под насадку

A=12 мм B=9 мм	Используйте только указанные типы насадки для отвертки. Выполните процедуру 1. (Примечание) Переходник не нужен.
-------------------	--

Для инструмента с большим углублением под насадку

A=17 мм B=14 мм	Для установки насадок данных типов выполните процедуру (1).
A=12 мм B=9 мм	Для установки насадок данных типов выполните процедуру (2). (Примечание) Для установки насадки необходим переходник.

## Процедура 1

► **Рис.8:** 1. Насадка для отвертки 2. Муфта

Для установки насадки сдвиньте муфту по стрелке и вставьте насадку в муфту до упора.

Затем отпустите муфту, чтобы зафиксировать насадку.

## Процедура 2

В дополнение к процедуре 1 установите переходник в муфту заостренной стороной внутрь.

► **Рис.9:** 1. Насадка для отвертки 2. Переходник 3. Муфта

Для снятия насадки потяните муфту в направлении, указанном стрелкой, и вытяните насадку.

**ПРИМЕЧАНИЕ:** Если не вставить насадку в муфту достаточно глубоко, муфта не вернется в первоначальное положение и насадка не будет закреплена. В таком случае попытайтесь повторно вставить насадку в соответствии с инструкциями выше.

**ПРИМЕЧАНИЕ:** После установки насадки для отвертки проверьте надежность ее фиксации. Если насадка выходит из держателя, не используйте ее.

## ЭКСПЛУАТАЦИЯ

**⚠ВНИМАНИЕ:** При складывании инструмента для его использования в виде пистолета при его выпрямлении не держитесь за складываемую часть инструмента. Несоблюдение этого требования может привести к защемлению руки и пальцев и их травмированию.

Инструмент может использоваться двумя способами: в прямом виде и в виде пистолета, в соответствии с условиями места выполнения работ и требуемой операцией.

► **Рис.10:** 1. Прямой вид 2. Вид пистолета

### Работа в режиме шуруповерта

**⚠ВНИМАНИЕ:** Установите регулировочное кольцо на соответствующий уровень крутящего момента для вашей работы.


**⚠ВНИМАНИЕ:** Следите за тем, чтобы насадка для отвертки вставлялась прямо в головку винта, иначе можно повредить винт и/или насадку.

Установите конец насадки в головку шурупа и надавите инструмент к шурупу. Включите инструмент на медленной скорости и затем постепенно увеличивайте ее. Отпустите триггерный переключатель, как только сработает сцепление.

► **Рис.11**

**ПРИМЕЧАНИЕ:** При закручивании шурупов в дерево предварительно просверлите направляющее отверстие, диаметр которого равен 2/3 диаметра шурупа. Это облегчит закручивание шурупа и предотвратит возникновение трещин в детали.

## Сверление

Сначала поверните регулировочное кольцо, чтобы совместить указатель со стрелкой . Затем действуйте следующим образом.

### Сверление дерева

При сверлении дерева наилучшие результаты достигаются с применением сверл для дерева с направляющим винтом. Направляющий винт упрощает сверление, удерживая головку сверла в обрабатываемой детали.

### Сверление металла

Для предотвращения скольжения сверла при начале сверления сделайте углубление с помощью кернера и молотка в точке сверления. Вставьте острие головки сверла в углубление и начните сверление. При сверлении металлов пользуйтесь смазочно-охлаждающей жидкостью. Исключение составляют железо и латунь, которые надо сверлить насухо.

**ВНИМАНИЕ:** Чрезмерное нажатие на инструмент не ускорит сверление. На самом деле, чрезмерное давление только повредит наконечник головки сверла, снизит производительность инструмента и сократит срок его службы.

**ВНИМАНИЕ:** Крепко удерживайте инструмент и будьте осторожны, когда головка сверла начинает проходить сквозь обрабатываемую деталь. В момент выхода головки сверла из детали возникает огромное усилие на инструмент/сверло.

**ВНИМАНИЕ:** Заклинившая головка сверла может быть без проблем извлечена из обрабатываемой детали путем изменения направления вращения при помощи реверсивного переключателя. Однако если вы не будете крепко держать инструмент, он может резко сдвинуться назад.


**ВНИМАНИЕ:** Всегда закрепляйте обрабатываемые детали в тисках или аналогичном зажимном устройстве.

**ВНИМАНИЕ:** Если инструмент эксплуатировался непрерывно до разряда блока аккумулятора, сделайте перерыв на 15 минут перед началом работы с заряженным аккумулятором.

## Использование инструмента в качестве ручной отвертки

### ► Рис.12

Выключите инструмент.

Переместите стопорный рычаг в положение блокировки . Поверните инструмент.

**ПРИМЕЧАНИЕ:** Использование инструмента с моментом затяжки менее 5 Нм (50 кгс-см).

**ПРИМЕЧАНИЕ:** Не используйте инструмент для работ, требующих значительных усилий, как например, затяжка болтов М6 или размера больше М6, а также отворачивание проржавевших винтов.

**ПРИМЕЧАНИЕ:** Такое использование удобно для проверки затяжки шурупов.

## ОБСЛУЖИВАНИЕ

**ВНИМАНИЕ:** Перед проведением проверки или работ по техобслуживанию всегда проверяйте, что инструмент выключен, а блок аккумулятора снят.

**ПРИМЕЧАНИЕ:** Запрещается использовать бензин, растворители, спирт и другие подобные жидкости. Это может привести к обезжелезиванию, деформации и трещинам.

Для обеспечения БЕЗОПАСНОСТИ и НАДЕЖНОСТИ оборудования ремонт, любое другое техобслуживание или регулировку необходимо производить в уполномоченных сервис-центрах Makita или сервис-центрах предприятий с использованием только сменных частей производства Makita.

## ДОПОЛНИТЕЛЬНЫЕ ПРИНАДЛЕЖНОСТИ

**ВНИМАНИЕ:** Данные принадлежности или приспособления рекомендуются для использования с инструментом Makita, указанным в настоящем руководстве. Использование других принадлежностей или приспособлений может привести к получению травмы. Используйте принадлежность или приспособление только по указанному назначению.

Если вам необходимо содействие в получении дополнительной информации по этим принадлежностям, свяжитесь с вашим сервис-центром Makita.

- Головки сверл
- Насадки для отвертки
- Гнездовые насадки
- Переходник
- Пластмассовый чемодан для переноски
- Оригинальный аккумулятор и зарядное устройство Makita

**ПРИМЕЧАНИЕ:** Некоторые элементы списка могут входить в комплект инструмента в качестве стандартных приспособлений. Они могут отличаться в зависимости от страны.





**Makita Europe N.V.** Jan-Baptist Vinkstraat 2,  
3070 Kortenberg, Belgium

**Makita Corporation** 3-11-8, Sumiyoshi-cho,  
Anjo, Aichi 446-8502 Japan

[www.makita.com](http://www.makita.com)

188611  
EN, SV, NO, FI, LV,  
LT, ET, RU  
20170309