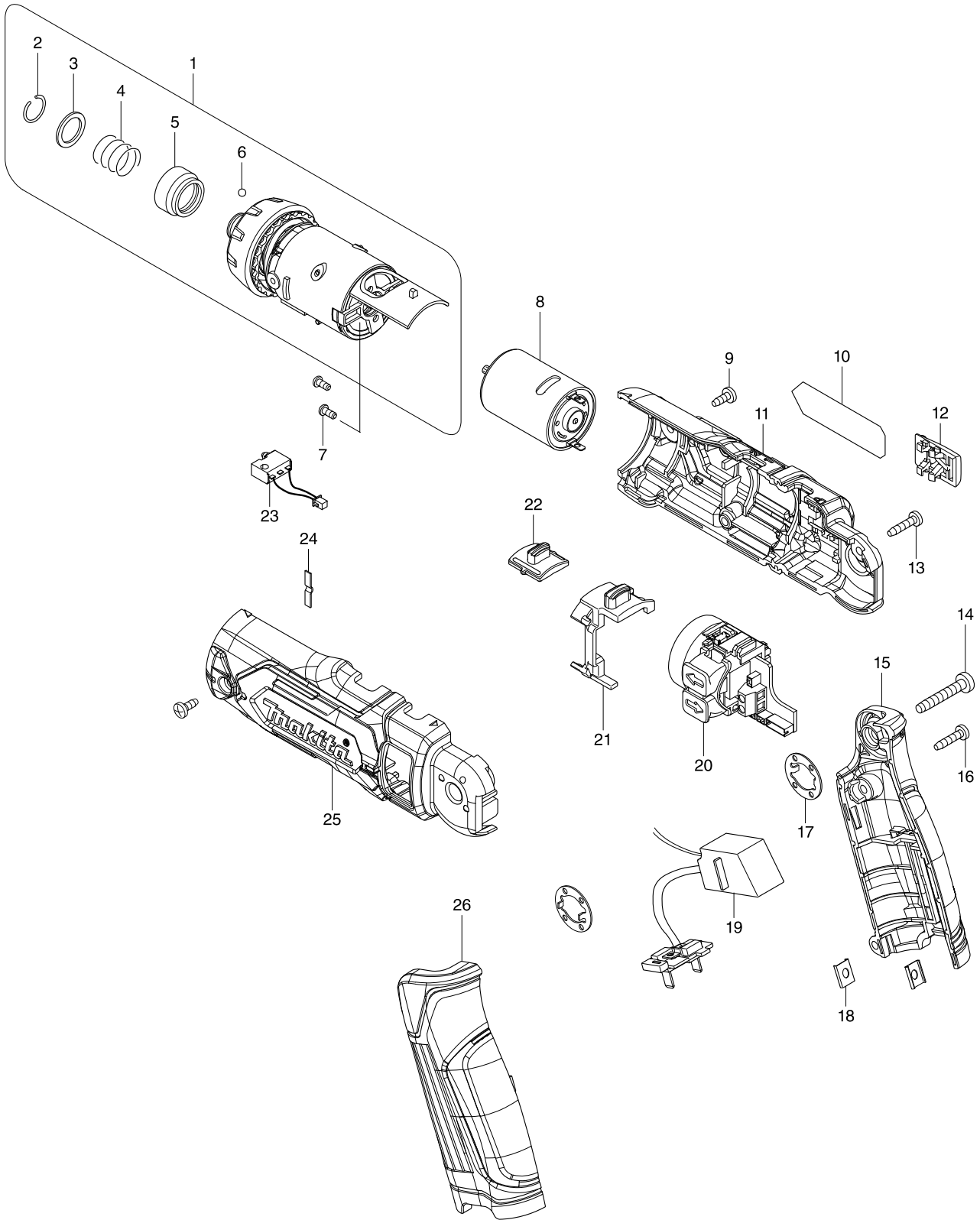


Model No. DF012D CORDLESS DRIVER DRILL



Model No. DF012D CORDLESS DRIVER DRILL

Item	Parts No.	Description	I/C	Qty	N/O	Opt. 1	Opt. 2	Note
001	123914-7	GEAR ASSY		1				
C10	450558-3	CHANGE RING		1				
D10		INC. 2-6						
002	231965-7	RING SPRING 10		1				
003	267143-3	FLAT WASHER 11		1				
004	233005-7	COMPRESSION SPRING 13		1				
005	324711-6	BIT SLEEVE		1				
006	216019-1	STEEL BALL 3		2				
007	265172-0	+PAN HEAD SCREW M2.6X6		2				
008	629266-9	DC MOTOR		1				
009	265954-0	TAPPING SCREW BIND PT3X8		2				
010	853C22-5	DF012D NAME PLATE		1				
011	183F98-9	MOTOR HOUSING SET		1				
D10		INC. 25						
012	450590-7	SLIDE PLATE		1				
013	266404-8	TAPPING SCREW BIND 3X14		3				
014	266374-1	TAPPING SCREW 4X25		1				
015	183G00-8	HANDLE SET		1				
D10		INC. 26						
016	266404-8	TAPPING SCREW BIND 3X14		2				
017	267803-7	LOCK WASHER		2				
018	345749-8	SET PLATE		2				
019	631811-8	CONTROLLER		1				
020	638605-2	SWITCH UNIT		1				
021	450553-3	CHANGE LEVER		1				
022	125465-6	SPEED CHANGE LEVER ASSEMBLY		1				
C10	233018-8	COMPRESSION SPRING 3		2				
023	638609-4	SWITCH UNIT		1				
024	232369-6	LEAF SPRING		1				
025	183F98-9	MOTOR HOUSING SET		1				
D10		INC. 11						
026	183G00-8	HANDLE SET		1				
D10		INC. 15						
A01	***DC10WA	DC10WA BATTERY CHARGER		1				
D10		COMPO-PARTS						
A02	198000-3	BATTERY BL0715 SET		2				
A03	784244-7	+ BIT 2-50		1				
A04	784245-5	+ BIT 1-50		1				
A05	824781-0	PLASTIC CASE		1				
A06	821549-5	CONNECTOR PLASTIC CASE (TYPE1)		1				
C10	453974-8	LATCH		4				
A07	837871-0	INNER TRAY		1				
A08	812M89-2	DF012DSJ INDICATION LABEL		1				
A09	812M90-7	DF012DSJ PLASTIC CASE LABEL		2				