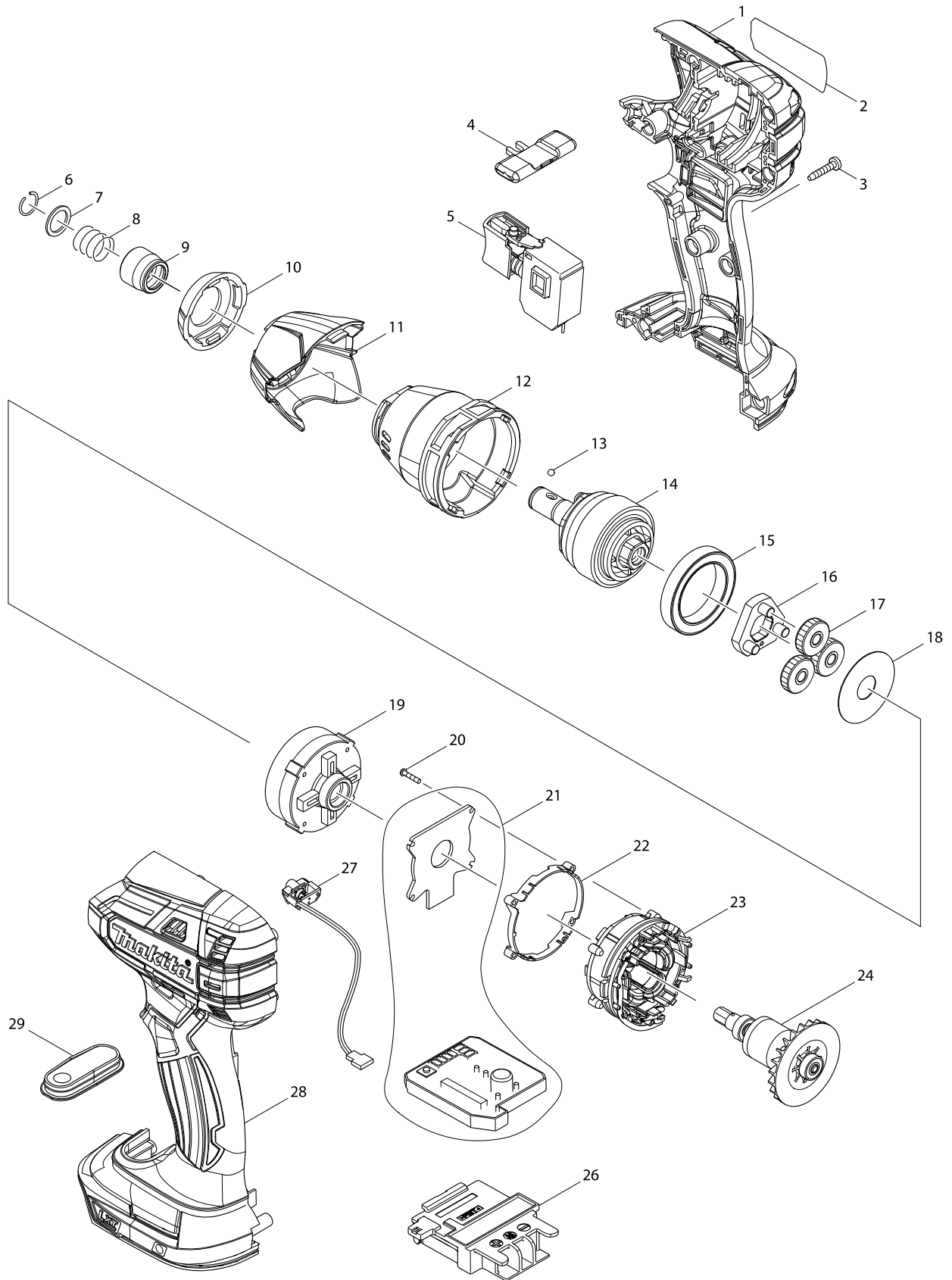


Model No. DTS141 CORDLESS OIL-PULSE DRIVER



Model No. DTS141 CORDLESS OIL-PULSE DRIVER

| Item | Parts No. | Description | I/C | Qty | N/O | Opt. 1 | Opt. 2 | Note |
|-------|-----------|-------------------------------|-----|-----|-----|--------|--------|------|
| 001 | 187989-0 | HOUSING SET | | 1 | | | | |
| C10 | 263005-3 | RUBBER PIN 6 | | 2 | | | | |
| C20 | 252126-6 | HEX. LOCKING NUT M4-7 | | 2 | | | | |
| D10 | | INC. 28 | | | | | | |
| 002 | 850H88-6 | DTS141 NAME PLATE | | 1 | | | | |
| 003 | 266130-9 | TAPPING SCREW BIND PT 3X16 | | 9 | | | | |
| 004 | 455053-8 | F/R CHANGE LEVER | | 1 | | | | |
| 005 | 650673-5 | SWITCH C3JW-1A | | 1 | | | | |
| 006 | 231965-7 | RING SPRING 10 | | 1 | | | | |
| 007 | 267143-3 | FLAT WASHER 11 | | 1 | | | | |
| 008 | 234347-2 | COMPRESSION SPRING 11 | | 1 | | | | |
| 009 | 326465-1 | BIT SLEEVE | | 1 | * | | | |
| 009-1 | 326542-9 | BIT SLEEVE | < | 1 | | | | |
| 010 | 424662-4 | BUMPER | | 1 | | | | |
| 011 | 455468-9 | UNIT CASE COVER | | 1 | | | | |
| 012 | 142928-7 | UNIT CASE COMPLETE | | 1 | | | | |
| C10 | 213126-1 | OIL SEAL 12 | | 1 | | | | |
| C20 | 211136-2 | BALL BEARING 6801LLB | | 1 | | | | |
| 013 | 216019-1 | STEEL BALL 3 | | 2 | | | | |
| 014 | 142936-8 | OIL UNIT COMPLETE | | 1 | * | | | |
| 014-1 | 142936-8 | OIL UNIT COMPLETE | < | 1 | * | | | |
| C10 | 143265-2 | BIT PIECE C COMPLETE | | 1 | * | | | |
| 014-2 | 143275-9 | OIL UNIT COMPLETE | < | 1 | | | | |
| C10 | 143265-2 | BIT PIECE C COMPLETE | | 1 | | | | |
| 015 | 211294-4 | BALL BEARING 6806LLU | | 1 | | | | |
| 016 | 142929-5 | CARRIER COMPLETE | | 1 | | | | |
| 017 | 227368-1 | SPUR GEAR 22 | | 3 | | | | |
| 018 | 267067-3 | FLAT WASHER 12 | | 1 | | | | |
| 019 | 227361-5 | INTERNAL GEAR 51 | | 1 | | | | |
| 020 | 266786-8 | + PAN HEAD TAPPING SCREW 2X10 | | 4 | | | | |
| 021 | 620354-5 | CONTROLLER | | 1 | | | | |
| 022 | 687464-1 | SUPPORT | | 1 | | | | |
| 023 | 629137-0 | STATOR | | 1 | | | | |
| 024 | 619358-2 | ROTOR | | 1 | | | | |
| 026 | 643860-3 | TERMINAL | | 1 | | | | |
| 027 | 620355-3 | LED CIRCUIT | | 1 | | | | |
| 028 | 187989-0 | HOUSING SET | | 1 | | | | |
| C10 | 263005-3 | RUBBER PIN 6 | | 2 | | | | |
| C20 | 252126-6 | HEX. LOCKING NUT M4-7 | | 2 | | | | |
| D10 | | INC. 1 | | | | | | |
| 029 | 141583-2 | SWITCH PLATE COMPLETE | | 1 | * | | | |
| 029-1 | 141583-2 | SWITCH PLATE COMPLETE | < | 1 | | | | |
| A01 | 266622-8 | + TRUSS HEAD SCREW M4X12 | | 1 | | | | |
| A02 | 346317-0 | HOOK | | 1 | | | | |
| | | | | | | | | |
| | | | | | | | | |
| | | | | | | | | |
| | | | | | | | | |