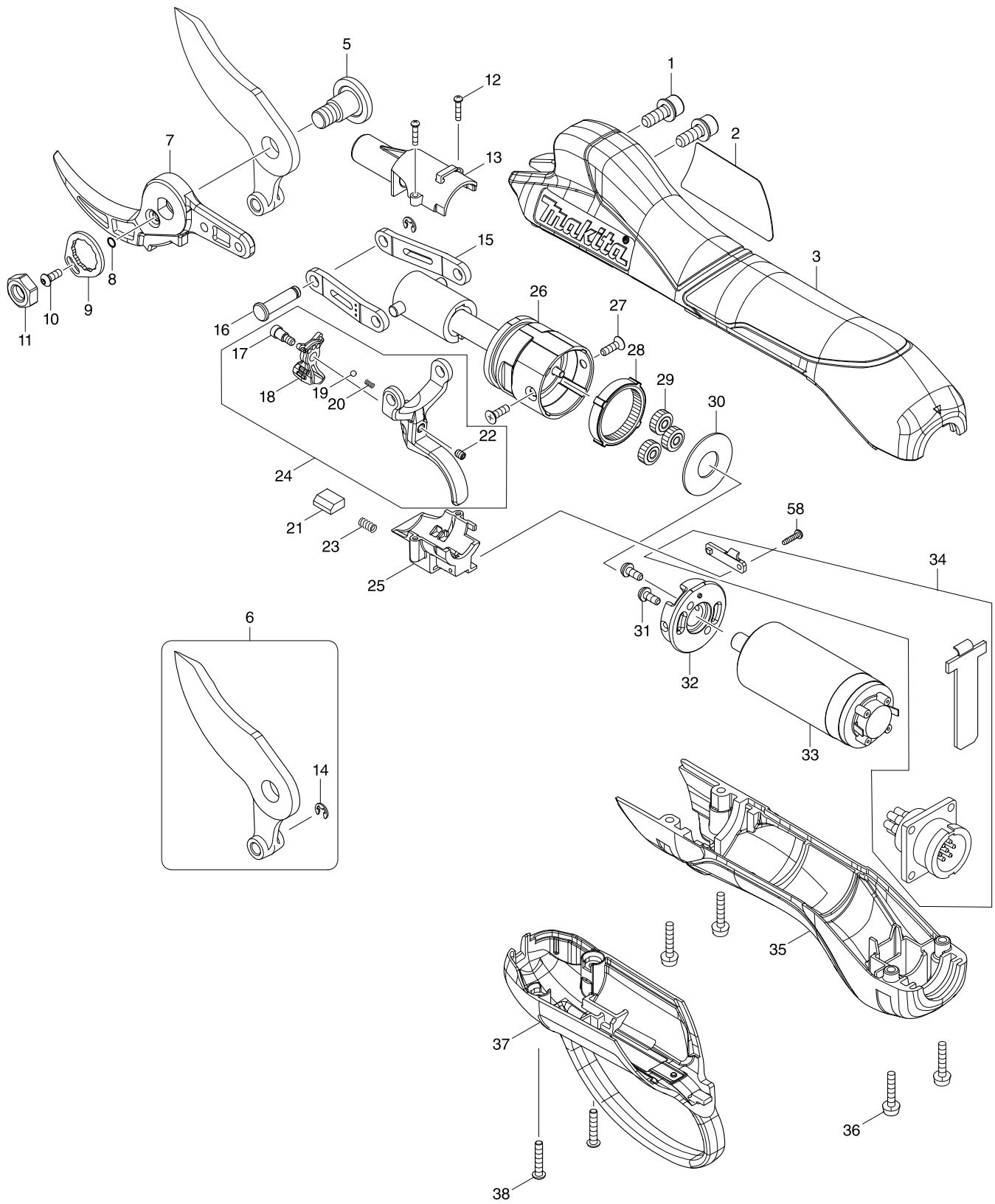
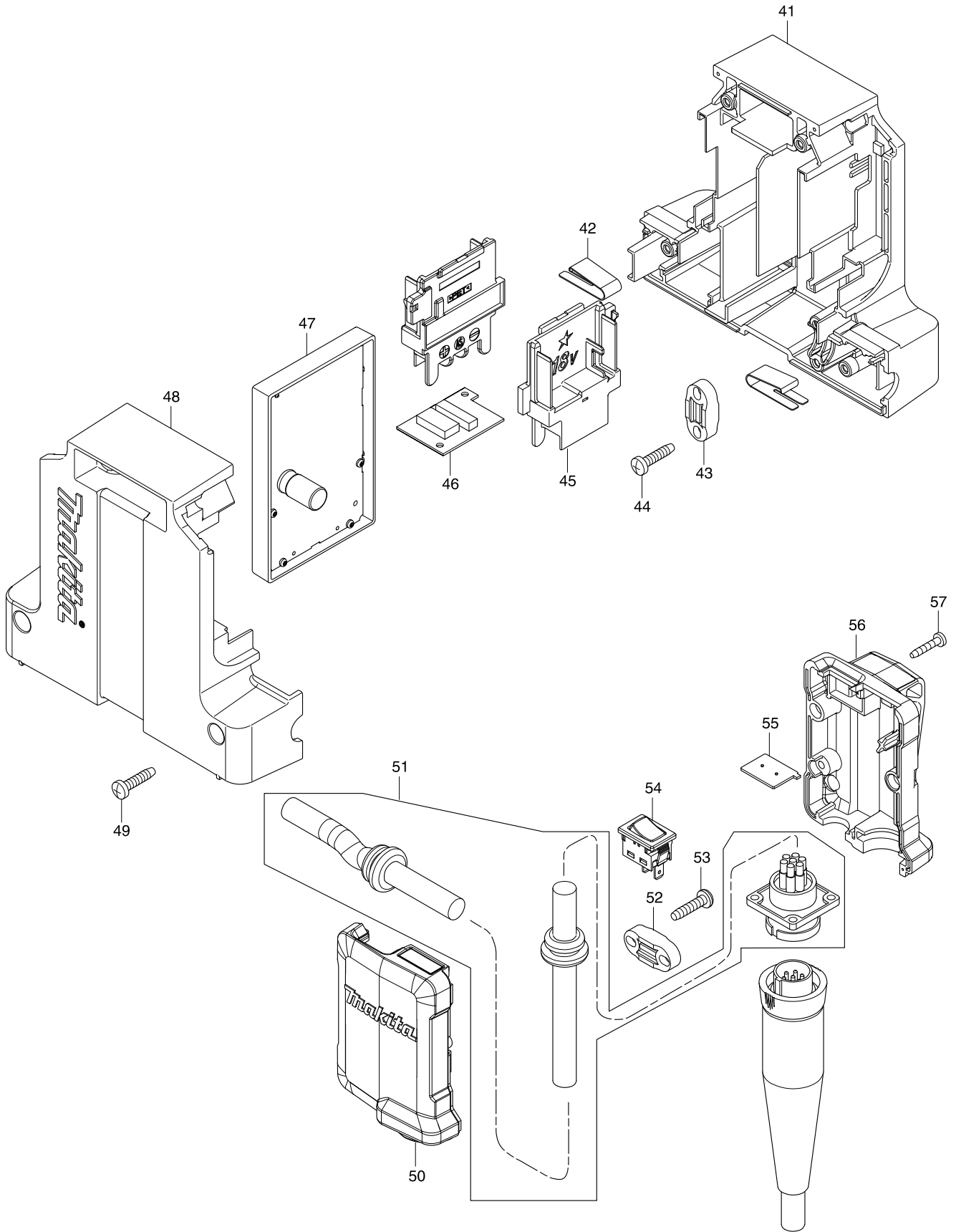


Model No. DUP361 BATTERY POWERED PRUNING SHEAR



Model No. DUP361 BATTERY POWERED PRUNING SHEAR



Model No. DUP361 BATTERY POWERED PRUNING SHEAR

Item	Parts No.	Description	I/C	Qty	N/O	Opt. 1	Opt. 2	Note
001	251485-5	H.S.H.BOLT M5X14 WITH WR		2	*			
001-1	251490-2	H.S.H.BOLT M5X14 WITH WR	<	2				
002	851F32-4	DUP361 NAME PLATE		1				
003	456209-6	UPPER HOUSING		1				
005	251474-0	SHOULDER SCREW M8		1				
006	197366-8	SHEAR BLADE U SET		1				
D10		INC. 14						
007	197367-6	SHEAR BLADE L SET		1				
008	213034-6	O RING 3		1				
009	346940-1	LOCK PLATE		1				
010	266557-3	H.S.BUTTON HEAD BOLT M3X8		1				
011	264118-3	HEX. NUT M8		1				
012	266786-8	+ PAN HEAD TAPPING SCREW 2X10		2				
013	456218-5	BALL NUT COVER B		1				
014	961011-9	STOP RING E-4		1				
015	346941-9	LINK ARM		2	*			
015-1	347165-0	LINK ARM	<	2				
016	256568-6	FLAT FILLISTER HD.PIN 5		1				
017	251484-7	+ FLAT HEAD SCREW M3X4		1				
018	456215-1	LEVER		1				
019	216031-1	STEEL BALL 2.3		1				
020	233491-2	COMPRESSION SPRING 2		1				
021	688189-0	MAGNET		1				
022	266999-1	H.S.SET SCREW(FLAT POINT)M3X4		1				
023	231397-8	COMPRESSION SPRING 4		1				
024	123536-3	TRIGGER ASS'Y		1				
D10		INC. 17-20,22						
025	456217-7	BALL NUT COVER A		1				
026	123458-7	BALL SCREW ASSEMBLY		1				
027	912012-0	C.H.SCREW M3X10		2				
028	227390-8	INTERNAL GEAR 48		1				
029	227389-3	SPUR GEAR 18		3				
030	253810-6	FLAT WASHER 12		1				
031	911006-2	PAN HEAD SCREW M3X8		2				
032	319349-0	MOTOR HOLDER		1				
033	629160-5	DC MOTOR		1				
034	620459-1	SUB CONTROLLER		1				
035	456211-9	LOWER HOUSING		1				
036	911028-2	PAN HEAD SCREW M3X16		4				
037	143633-9	FRONT HOUSING COMPLETE		1	*			
C10	807L80-7	INDICATION LABEL		1	*			
037-1	143935-3	FRONT HOUSING COMPLETE	<	1				
C10	807L80-7	INDICATION LABEL		1				
038	266980-2	HEX.S.BUTTON HEAD SCREW M3X16		2				
041	183B69-2	CONTROLLER HOUSING SET		1				
D10		INC. 48						
042	232267-4	LEAF SPRING		2				
043	687053-2	STRAIN RELIEF		1				

