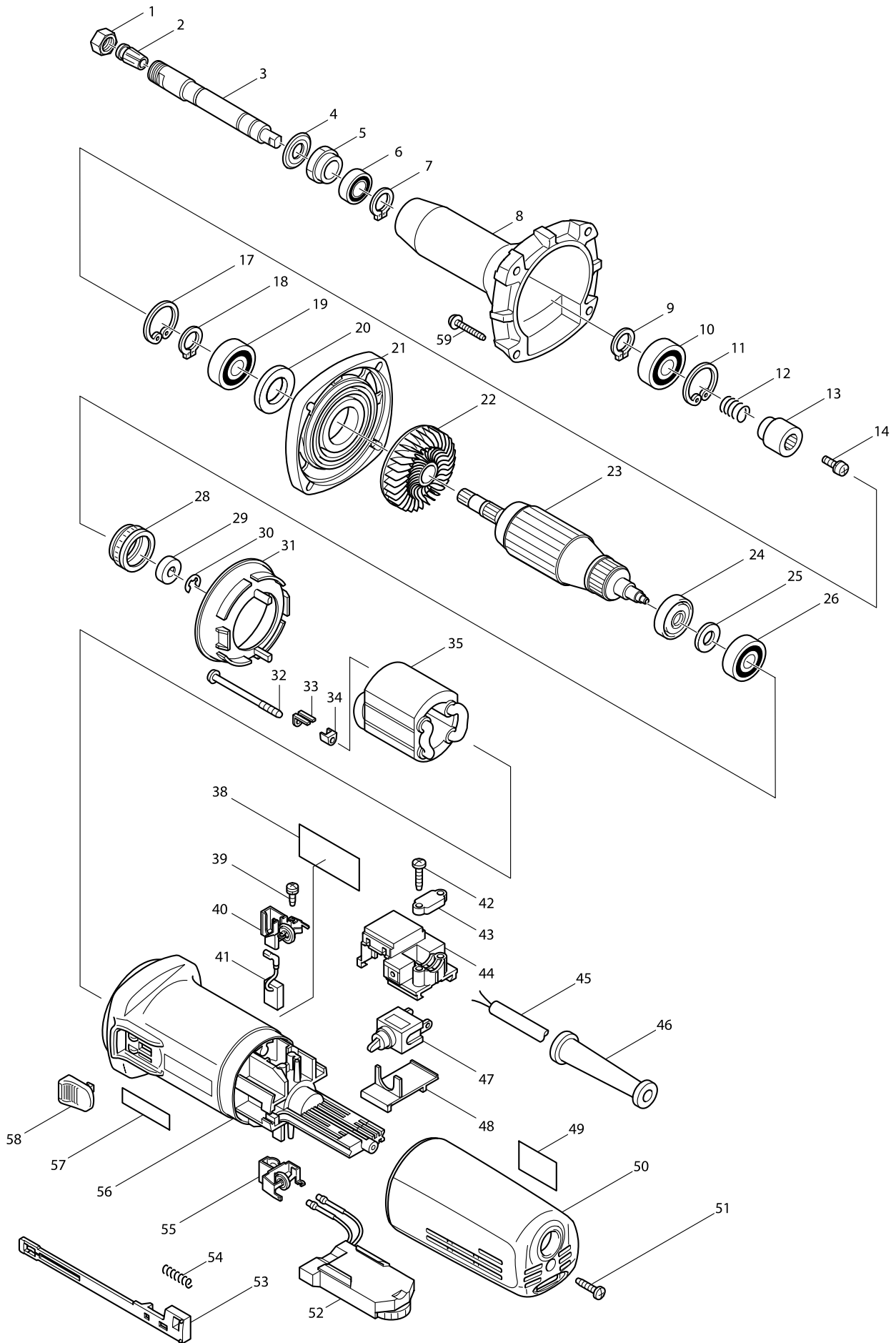


# Model No. GD0800C DIE GRINDER



# Model No. GD0800C DIE GRINDER

Item	Parts No.	Description	I/C	Qty	N/O	Opt. 1	Opt. 2	Note
001	763645-2	COLLET NUT		1				
002	193012-1	COLLET CONE 6 SET		1				
C10	763646-0	COLLET CONE 6		1				
D10		INC. 1						
003	324042-3	SPINDLE		1				
004	213209-7	OIL SEAL 16		1				
005	285700-5	BEARING RETAINER		1				
006	211141-9	BALL BEARING 6901LLB		1				
007	961052-5	RETAINING RING S-12		1				
008	317368-0	BARREL		1				
009	961052-5	RETAINING RING S-12		1				
010	211142-7	BALL BEARING 6001LLB		1	*			
010-1	211148-5	BALL BEARING 6001ZZ	<	1				
011	962106-1	RETAINING RING R-28		1				
012	233901-9	LOCK SPRING 12		1				
013	323989-8	COUPLING		1				
014	265082-1	PAN HEAD SCREW M4X8		1				
017	962106-1	RETAINING RING R-28		1				
018	961052-5	RETAINING RING S-12		1				
019	211142-7	BALL BEARING 6001LLB		1	*			
019-1	211148-5	BALL BEARING 6001ZZ	<	1				
020	253084-9	FLAT WASHER 12		1				
021	317367-2	BEARING BOX		1				
022	240036-9	FAN 57		1				
023B_	515194-3	ARMATURE ASS'Y 230-240V		1	*			
D10		INC. 22,24-26			*			
023B1	515219-3	ARMATURE ASS'Y 240V	S	1				
D10		INC. 22,24-26						
024	681656-4	INSULATION WASHER		1				
025	253823-7	FLAT WASHER 7		1				
026	210023-2	BALL BEARING 627DDW		1				
028	421770-2	LABYRINTH RUBBER RING 22		1				
029	688117-5	MAGNET SLEEVE		1				
030	961011-9	STOP RING E-4		1	*			
030-1	259039-2	SELF LOCK 6	S	1				
031	413076-2	BAFFLE PLATE		1				
032	266259-1	TAPPING SCREW 4X60		2				
033	344871-8	RETAINER		2				
034	417237-6	INSULATION COVER		2				
035B_	626524-4	FIELD 230-240V		1				
038	852410-5	NAME PLATE GD0800C		1	*			
038-1	814S07-2	NAME PLATE GD0800C	<	1				
039	266256-7	TAPPING SCREW PT3X10		4				
040	643762-3	BRUSH HOLDER		1	*			
040-1	643760-7	BRUSH HOLDER	O	1				
041	191974-7	A.C. CARBON BRUSH CB-310		1	*			
041-1	191978-9	A.C. CARBON BRUSH CB-318	X	1				
042	265995-6	TAPPING SCREW 4X18		2				

**Model No. GD0800C DIE GRINDER**

Item	Parts No.	Description	I/C	Qty	N/O	Opt. 1	Opt. 2	Note
043A_	687052-4	STRAIN RELIEF		1				
044A_	632945-0	SWITCH BLOCK		1				
045E_	665394-6	POWER SUPPLY CORD 1.0-2-2.5		1				
046A_	682559-5	CORD GUARD 8		1				
047	651418-4	SWITCH ST115A-40		1				
048	687113-0	COVER		1				
049	816800-6	INDICATION LABEL		1				
050	417185-9	REAR COVER		1				
051	265995-6	TAPPING SCREW 4X18		1				
052A_	631391-4	CONTROLLER		1				
053	417187-5	SWITCH LEVER		1				
054	233071-4	COMPRESSION SPRING 4		1				
055	643761-5	BRUSH HOLDER		1	*			
055-1	643974-8	BRUSH HOLDER	O	1				
056	417184-1	MOTOR HOUSING		1	*			
056-1	183406-8	MOTOR HOUSING	S	1	*			
D10		INC. 57			*			
056-2	417812-8	MOTOR HOUSING	<	1				
057	819720-3	MAKITA LABEL		1	*			
058	417188-3	SWITCH KNOB		1	*			
058-1	417813-6	SWITCH KNOB	<	1				
059	265999-8	TAPPING SCREW 4X25		4				
060	800092-7	INDICATION LABEL		1				
A01	781203-2	WRENCH 13		1				
A02	781206-6	WRENCH 19		1				
A03	192985-5	SIDE HANDLE SET		1				
C10	152521-9	GRIP 36 COMPLETE		1				
C20	415485-1	GRIP BASE		1				
C30	921919-9	HEX. BOLT M8X110		1				