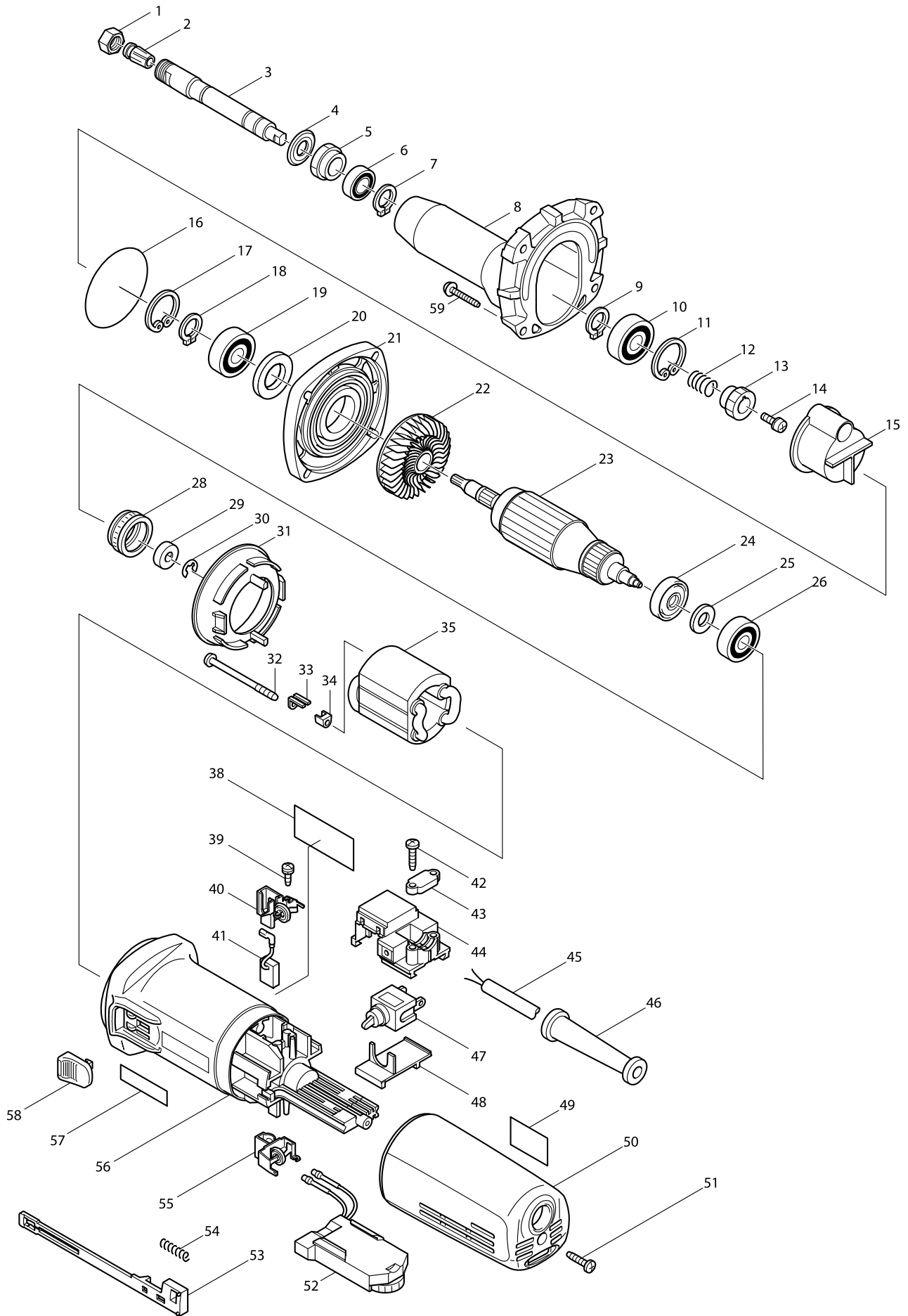


# Model No. GD0810C DIE GRINDER



# Model No. GD0810C DIE GRINDER

Item	Parts No.	Description	I/C	Qty	N/O	Opt. 1	Opt. 2	Note
001	763645-2	COLLET NUT		1				
002	193012-1	COLLET CONE 6 SET		1				
C10	763646-0	COLLET CONE 6		1				
D10		INC. 1						
003	324042-3	SPINDLE		1				
004	213209-7	OIL SEAL 16		1				
005	285700-5	BEARING RETAINER		1				
006	211141-9	BALL BEARING 6901LLB		1				
007	961052-5	RETAINING RING S-12		1				
008	317369-8	BARREL		1				
009	961052-5	RETAINING RING S-12		1				
010	211142-7	BALL BEARING 6001LLB		1	*			
010-1	211148-5	BALL BEARING 6001ZZ	<	1				
011	962106-1	RETAINING RING R-28		1				
012	233901-9	LOCK SPRING 12		1				
013	226531-3	HELICAL GEAR 25		1				
014	265082-1	PAN HEAD SCREW M4X8		1				
015	417363-1	GEAR COVER		1				
016	213611-4	O RING 46		1				
017	962106-1	RETAINING RING R-28		1				
018	961052-5	RETAINING RING S-12		1				
019	211142-7	BALL BEARING 6001LLB		1	*			
019-1	211148-5	BALL BEARING 6001ZZ	<	1				
020	253084-9	FLAT WASHER 12		1				
021	317367-2	BEARING BOX		1				
022	240036-9	FAN 57		1				
023	515199-3	ARMATURE ASS'Y 230-240V		1	*			
D10		INC. 22,24-26			*			
023-1	515214-3	ARMATURE ASS'Y 240V	S	1				
D10		INC. 22,24-26						
024	681656-4	INSULATION WASHER		1				
025	253823-7	FLAT WASHER 7		1				
026	210023-2	BALL BEARING 627DDW		1				
028	421770-2	LABYRINTH RUBBER RING 22		1				
029	688117-5	MAGNET SLEEVE		1				
030	961011-9	STOP RING E-4		1	*			
030-1	259039-2	SELF LOCK 6	S	1				
031	413076-2	BAFFLE PLATE		1				
032	266259-1	TAPPING SCREW 4X60		2				
033	344871-8	RETAINER		2				
034	417237-6	INSULATION COVER		2				
035	626529-4	FIELD 230-240V		1				
038	852418-9	NAME PLATE GD0810C		1	*			
038-1	814S06-4	NAME PLATE GD0810C	<	1				
039	266256-7	TAPPING SCREW PT3X10		4				
040	643762-3	BRUSH HOLDER		1	*			
040-1	643760-7	BRUSH HOLDER	O	1				
041	191974-7	A.C. CARBON BRUSH CB-310		1	*			

