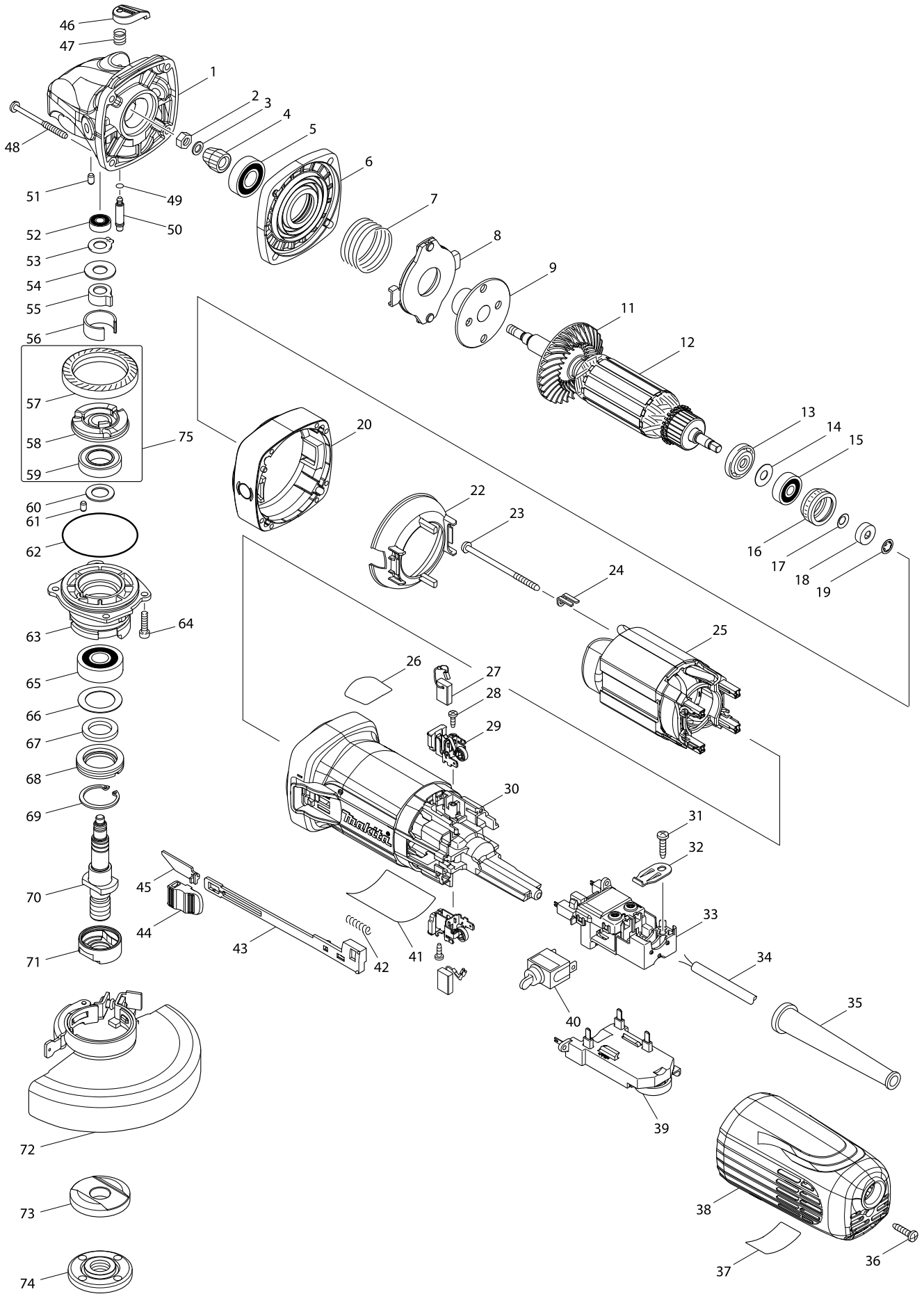


Model No. GA5041C 125MM ANGLE GRINDER



Model No. GA5041C 125MM ANGLE GRINDER

Item	Parts No.	Description	I/C	Qty	N/O	Opt. 1	Opt. 2	Note
001	168705-9	GEAR HOUSING COMPLETE		1	*			
001-1	319310-7	GEAR HOUSING	<	1				
002	252186-8	HEX. NUT M6		1				
003	253077-6	FLAT WASHER 6		1				
004	227591-8	SPIRAL BEVEL GEAR 10		1				
005	211142-7	BALL BEARING 6001LLB		1				
006	141981-0	GEAR HOUSING COVER COMPLETE		1				
007	234230-3	COMPRESSION SPRING 33		1				
008	141515-9	BRAKE SHOE HOLDER COMPLETE		1				
009	326132-8	BRAKE PLATE		1	*			
011	240135-7	FAN 60 B		1	*			
012	515378-3	ARMATURE ASS'Y 220-240V		1	*			
D10		INC. 11,13-15			*			
012-1	515398-7	ARMATURE ASS'Y 220-240V	X	1				
D10		INC. 13-15						
013	681656-4	INSULATION WASHER		1				
014	253823-7	FLAT WASHER 7		1				
015	210027-4	BALL BEARING 627DDW		1				
016	421738-8	LABYRINTH RUBBER RING 22		1				
017	267756-0	WAVE WASHER 6		1				
018	688117-5	MAGNET SLEEVE		1				
019	259039-2	SELF LOCK 6		1				
020	453374-2	SPACER		1	*			
020-1	455351-0	SPACER	<	1				
022	453375-0	BUFFLE PLATE B		1				
023	266258-3	TAPPING SCREW 4X70		2				
024	344871-8	RETAINER		2				
025	626653-3	FIELD 220-240V		1				
026	898443-6	SJS2 MARK LABEL		1				
027	191978-9	A.C. CARBON BRUSH CB-318		1				
028	266007-8	TAPPING SCREW BIND PT 3X10		2				
029	643769-9	BRUSH HOLDER		2	*			
029-1	643770-4	BRUSH HOLDER	<	2				
030	453376-8	MOTOR HOUSING B		1				
031	266326-2	TAPPING SCREW 4X18		1				
032	687169-3	STRAIN RELIEF		1				
033	638947-4	SWITCH BLOCK		1				
034	695034-2	POWER SUPPLY CORD 1.0-2-4.0		1				
035	682559-5	CORD GUARD 8		1				
036	266326-2	TAPPING SCREW 4X18		1				
037	898444-4	INDICATION LABEL		1				
038	453365-3	REAR COVER C		1				
039	620127-6	CONTROLLER		1				
040	651418-4	SWITCH ST115A-40		1				
041	897102-9	GA5041C NAME PLATE		1	*			
041-1	897102-9	GA5041C NAME PLATE	<	1				
042	233071-4	COMPRESSION SPRING 4		1				
043	453847-5	SWITCH LEVER		1				

Model No. GA5041C 125MM ANGLE GRINDER

Item	Parts No.	Description	I/C	Qty	N/O	Opt. 1	Opt. 2	Note
044	453377-6	SWITCH KNOB B		1				
045	346557-0	SWITCHI PLATE		1				
046	453369-5	PIN CAP		1				
047	234057-1	COMPRESSION SPRING 8		1				
048	266467-4	TAPPING SCREW 4X50		4				
049	213032-0	O RING 4		1				
050	256535-1	SHOULDER PIN 6		1				
051	263002-9	RUBBER PIN 4		1				
052	210006-2	BALL BEARING 696ZZ		1				
053	961005-4	RETAINING RING S-9		1				
054	253180-3	FLAT WASHER 10		1				
055	310508-9	JOINT SLEEVE		1	*			
055-1	310577-0	JOINT SLEEVE	<	1				
056	346556-2	C TYPE PLATE		1				
057	227592-6	SPIRAL BEVEL GEAR 38		1				
058	313228-4	COUPLING		1				
059	210302-8	BALL BEARING 6903ZZ		1				
060	253744-3	FLAT WASHER 12		1				
061	263002-9	RUBBER PIN 4		1				
062	213641-5	O RING 51		1				
063	318839-0	BEARRING BOX B		1				
064	265490-6	HEX. SOCKET HEAD BOLT M4X16		4				
065	211129-9	BALL BEARING 6201DDW		1				
066	267279-8	FLAT WASHER 21		1				
067	443124-3	FELT RING 17		1				
068	285854-8	BEARING RETAINER 20-33		1				
069	962105-3	RETAINING RING R-26		1				
070	326133-6	SPINDLE		1				
071	310514-4	LEAD FLANGE		1				
072	123145-8	TOOLLESS WHEELCOVER 125AK ASS		1				
C10	213009-5	O RING 4		1				
C20	265180-1	PAN HEAD SCREW M5X16		1				
073	224447-6	INNER FLANGE 42B		1				
074	122864-3	TOOLLESS LOCK NUT ASSEMBLY M1.		1				
075	135555-7	COUPLING ASS'Y		1				
D10		INC. 57-59						
076	819357-6	CLEAR LABEL		1	*			
076-1	804Y42-4	CLEAR LABEL	<	1				
A01	162258-0	VIBRATION PROOF GRIP		1				
A02	782407-9	LOCK NUT WRENCH 35		1				
A03	A-80656	GRINDING WHEEL 125 WA36N		1	*			
A03-1	D-18465	GRINDING WHEEL 125X6 A24R	O	1				