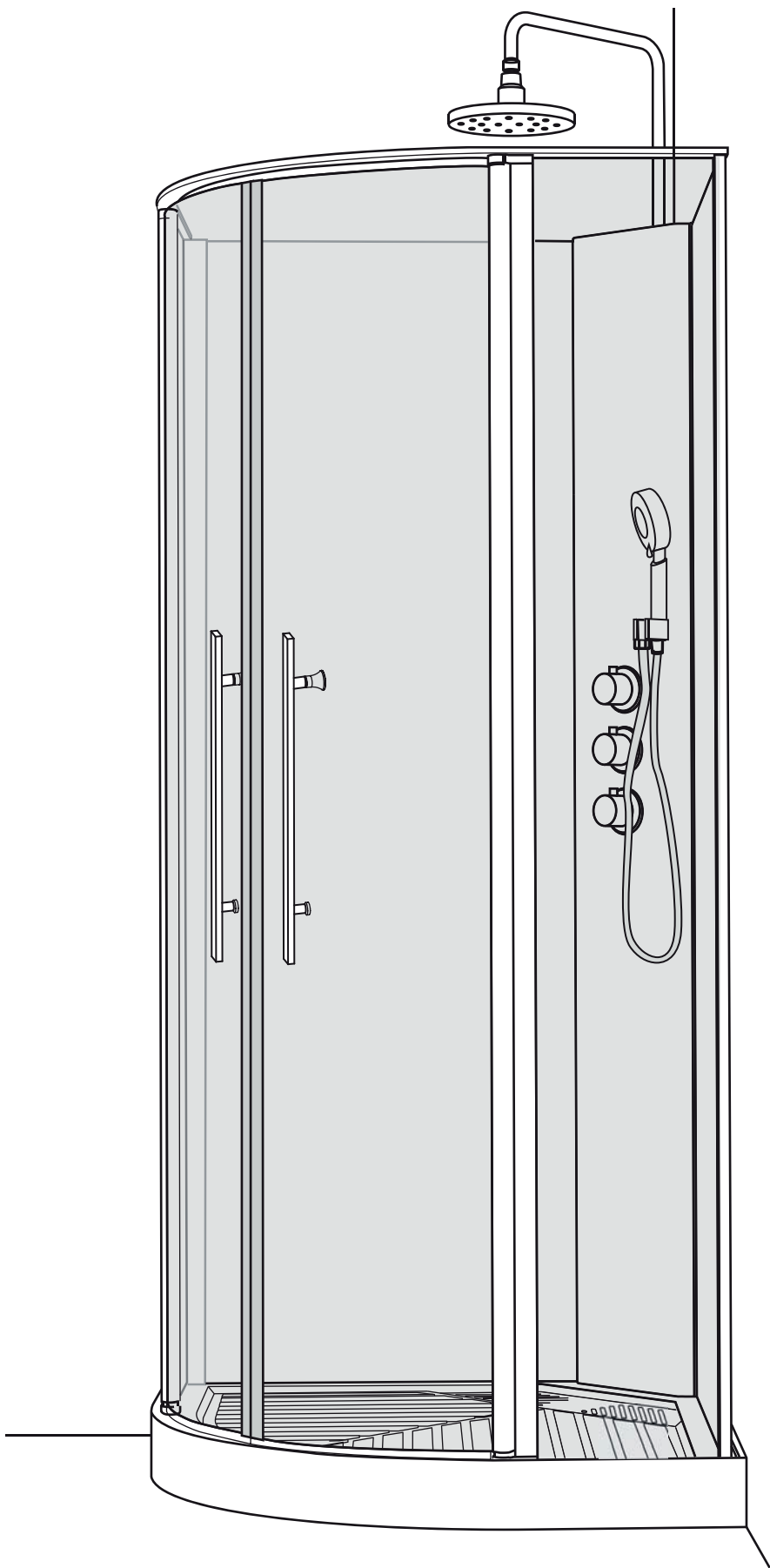



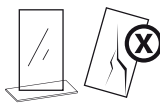




# NORO®

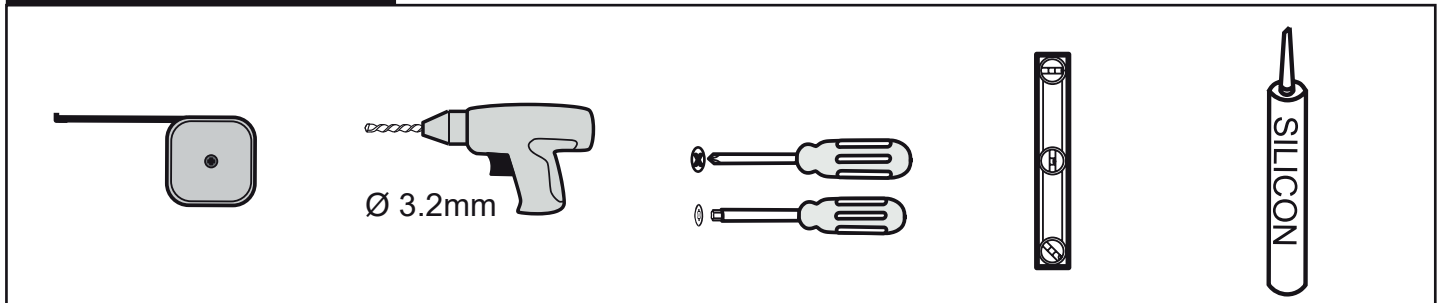


WAVE

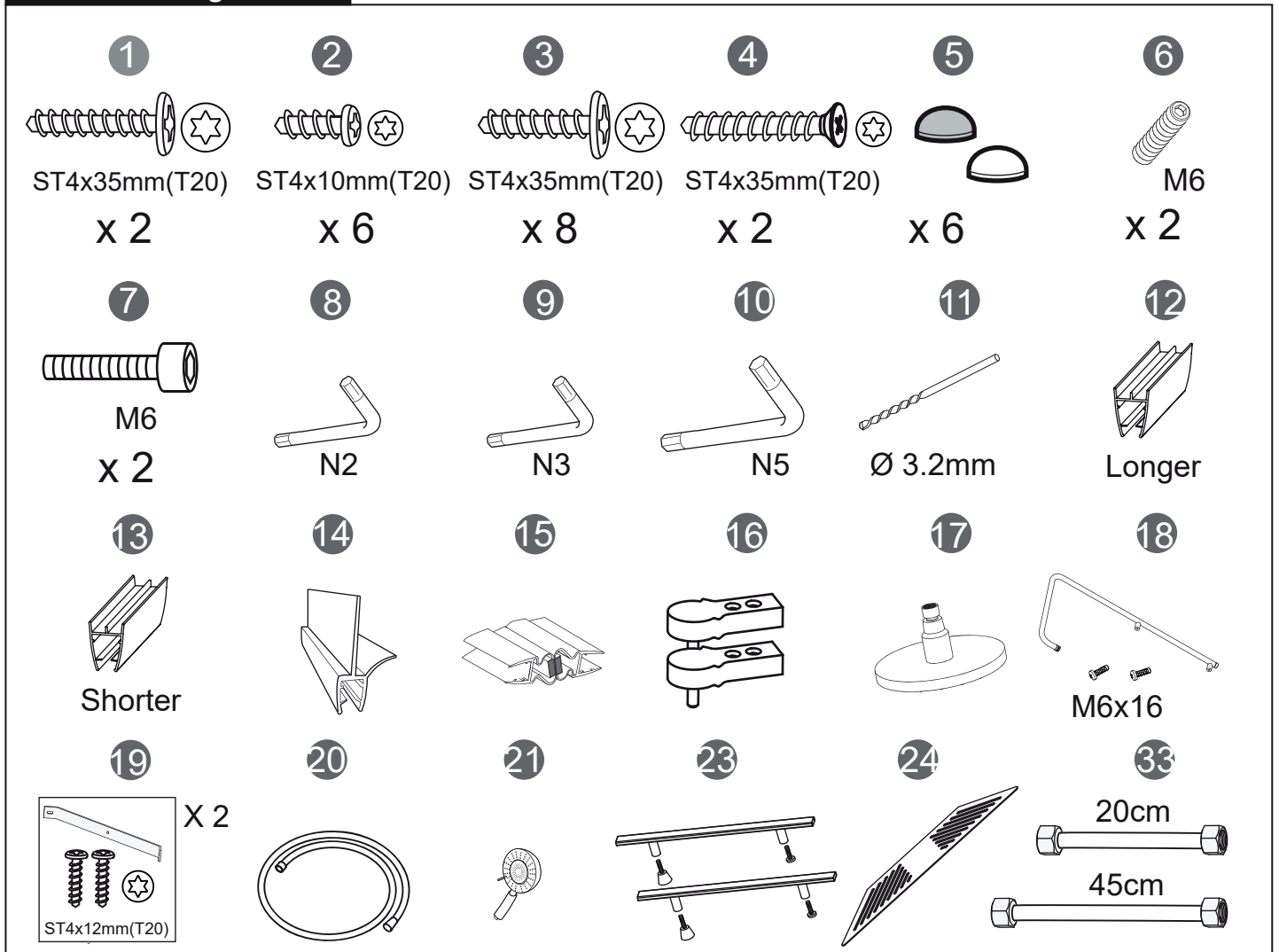
## Getting Start:

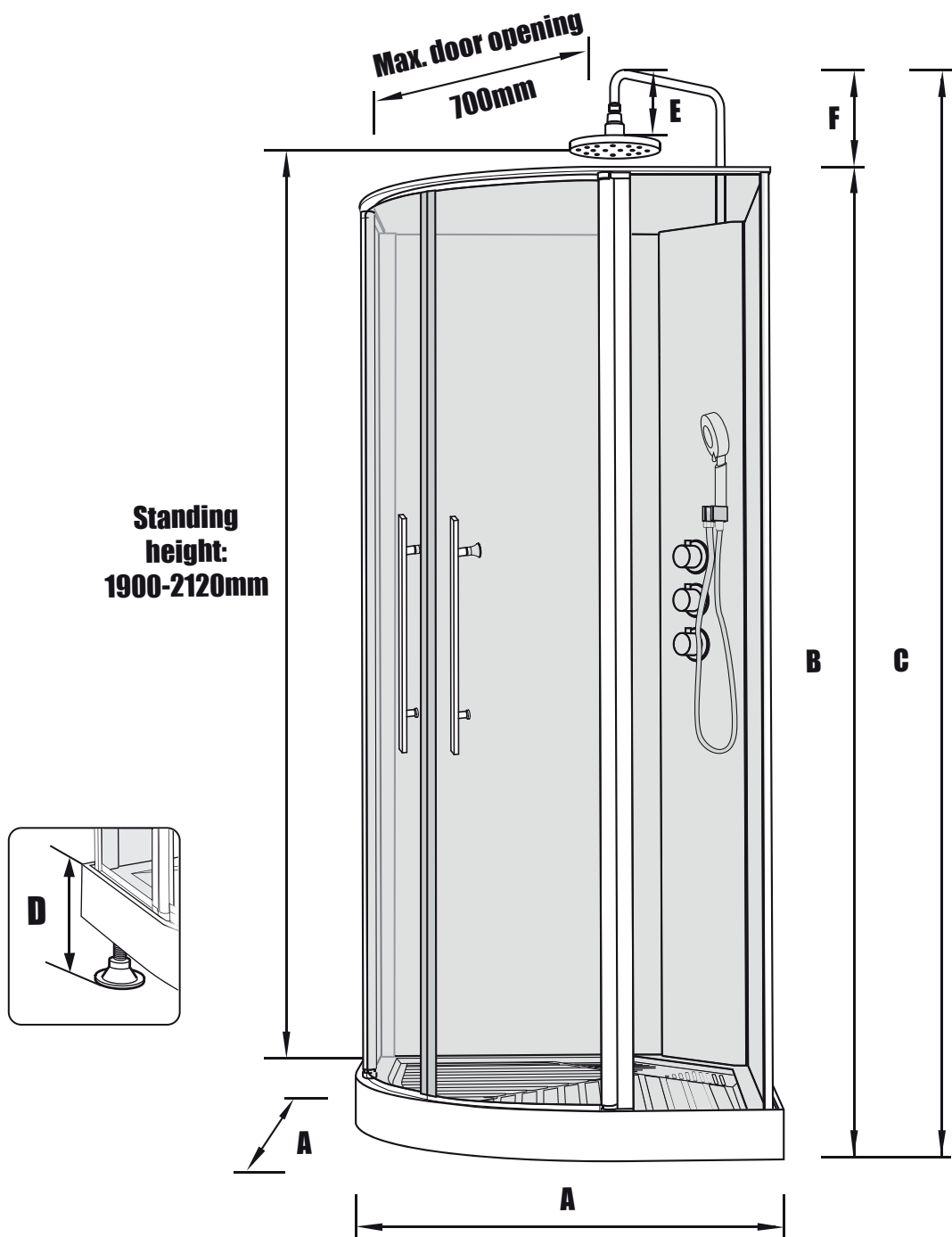
 <p>CE EN14428</p>	<p>This product fulfils the EN14428 standard</p>		<p>Goggles are recommended to protect the eyes</p>
 <p>CE EN12150</p>	<p>All glass used are tempered security glass</p>		<p>Caution: Always Handle Glass With Care! Always protect the edges and corners of the glass when assembling.</p>
	<p>2 people are recommended to assemble this shower enclosure</p>		<p>Gloves are recommended to prevent slippery on glass</p>

## Tools Needed:



## Accessories Bags:

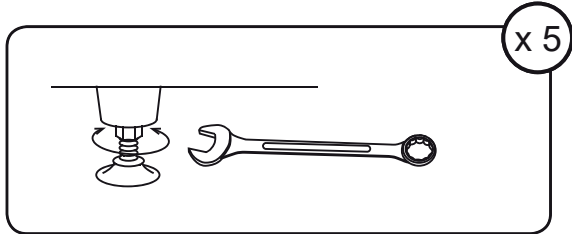
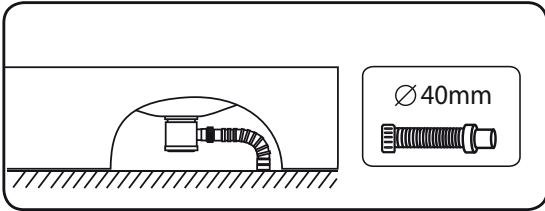
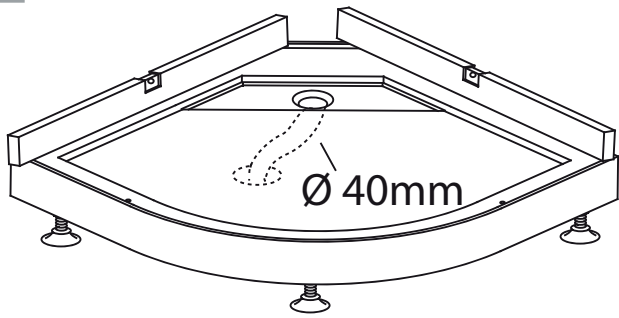


**Measurement:**

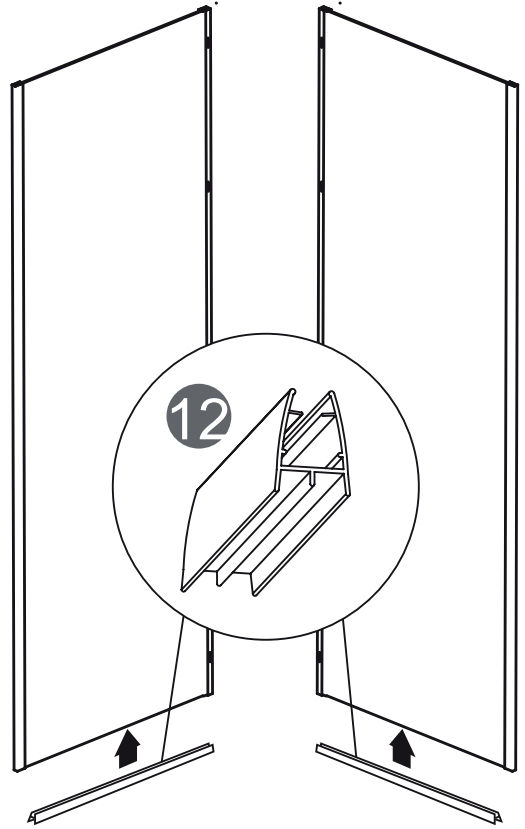
<b>Model</b>	<b>A</b>	<b>B</b>	<b>C</b>	<b>D</b>	<b>E</b>	<b>F</b>
<b>90x90</b>	900mm	2010-2040mm	2190 - 2450mm	130 - 160mm	180mm	180-240mm

<b>Mixer</b>	
Standard / Standardi:	EN 817
Drifttryck / Working pressure / Driftstrykk / Driftstryk / Käyttöpaine :	10-1000 kPa 300-500kPa*
Provningstryck max / Max test pressure / Teststrykk maks. / Prøvningstryk maks. / Koestuspaine max:	1600 kPa
* Rekommenderat värde / Recommended value / Anbefalt verdi / Anbefalet værdi / Suositusarvo	

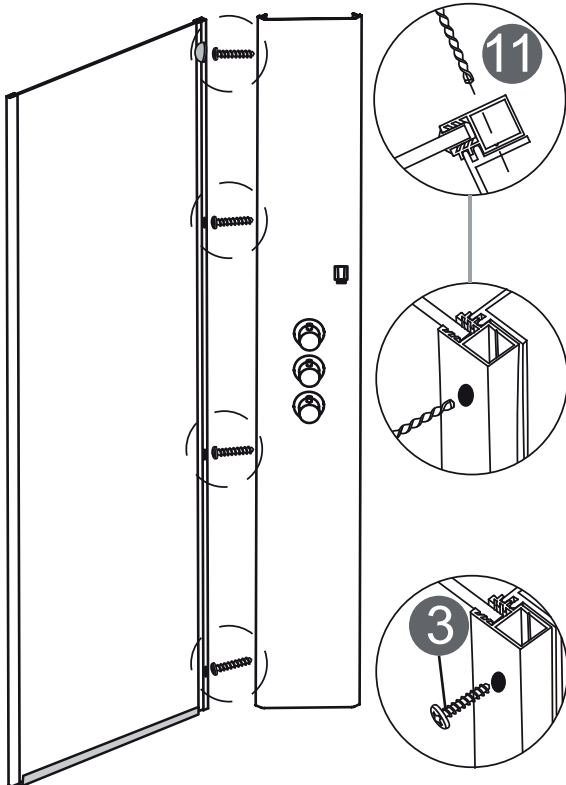
1



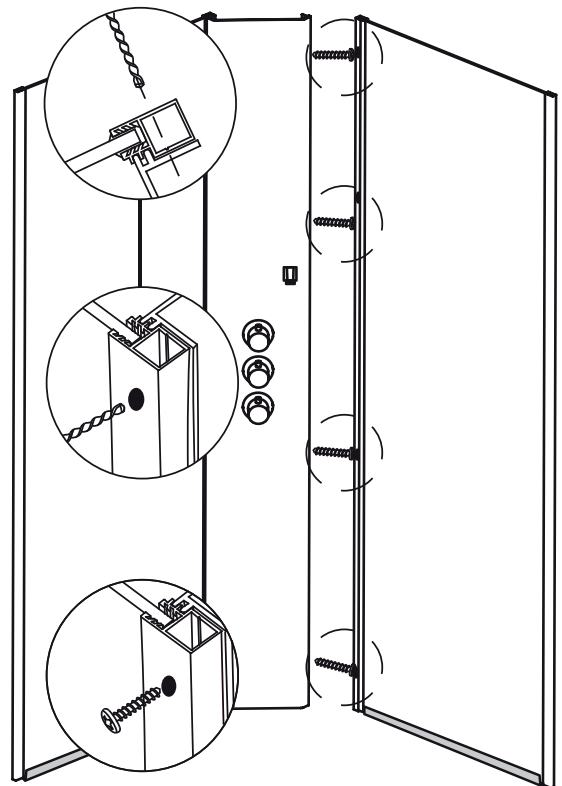
2



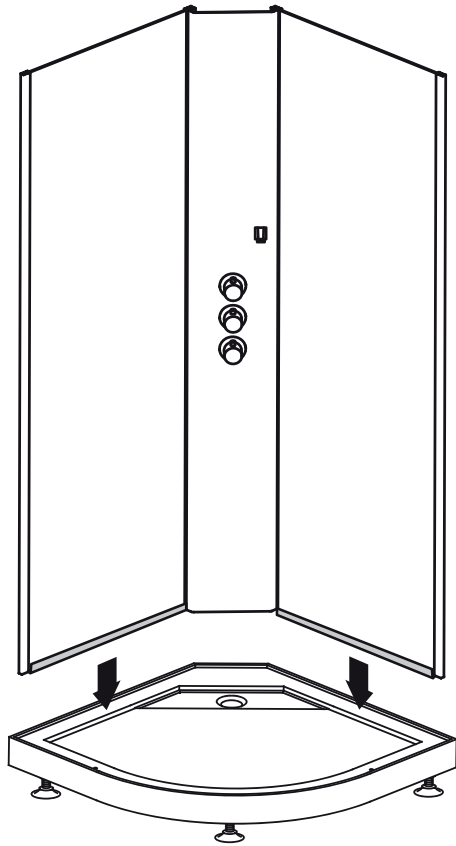
3



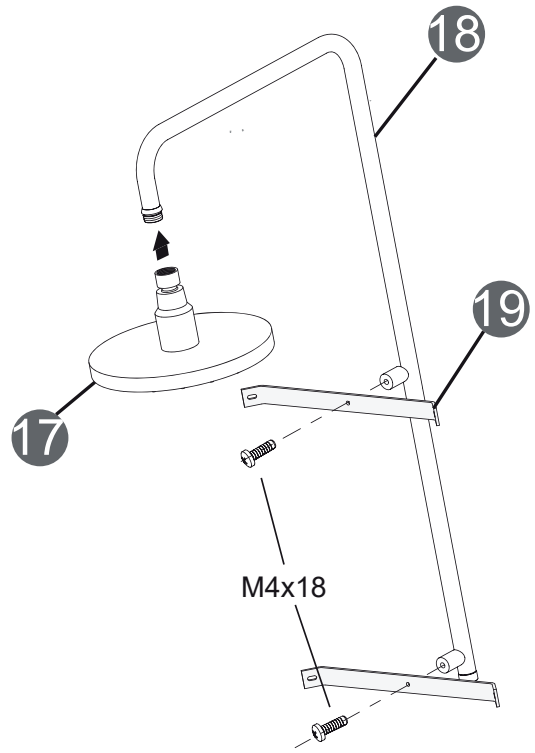
4



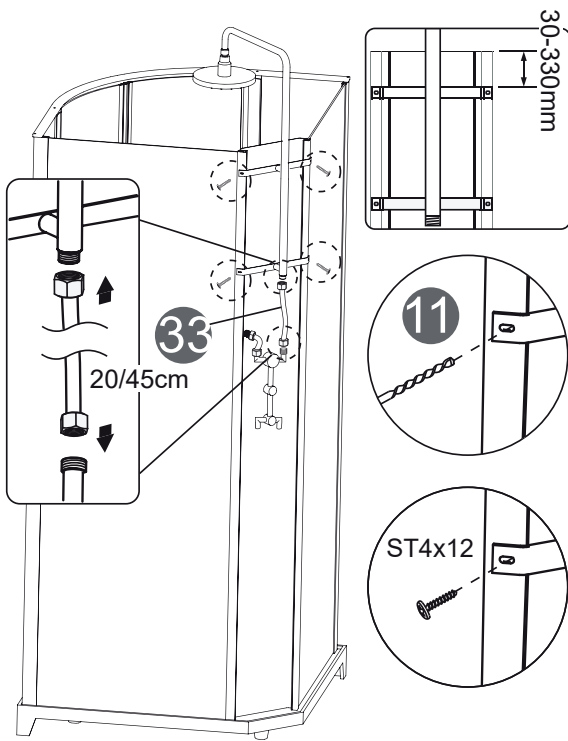
5



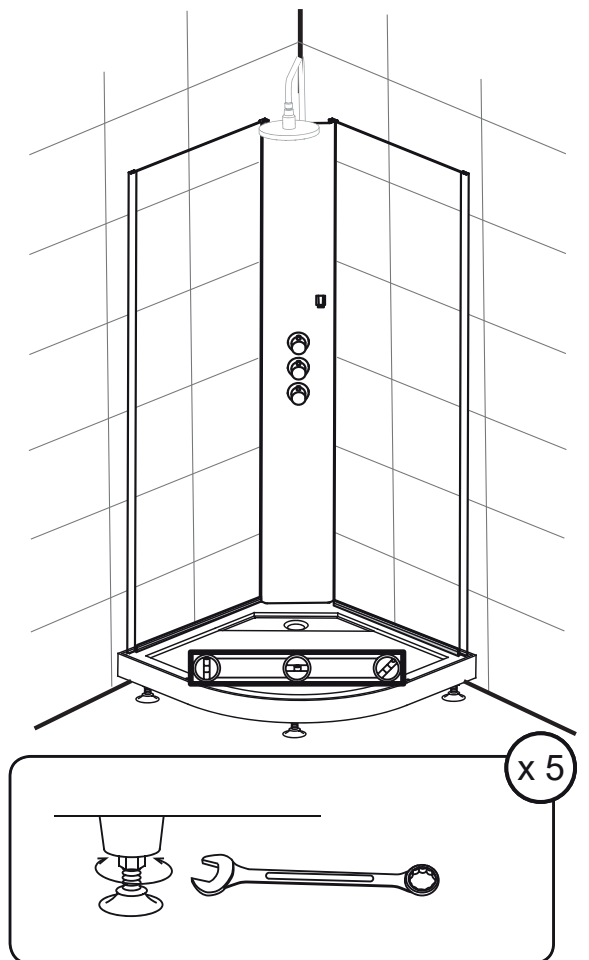
6

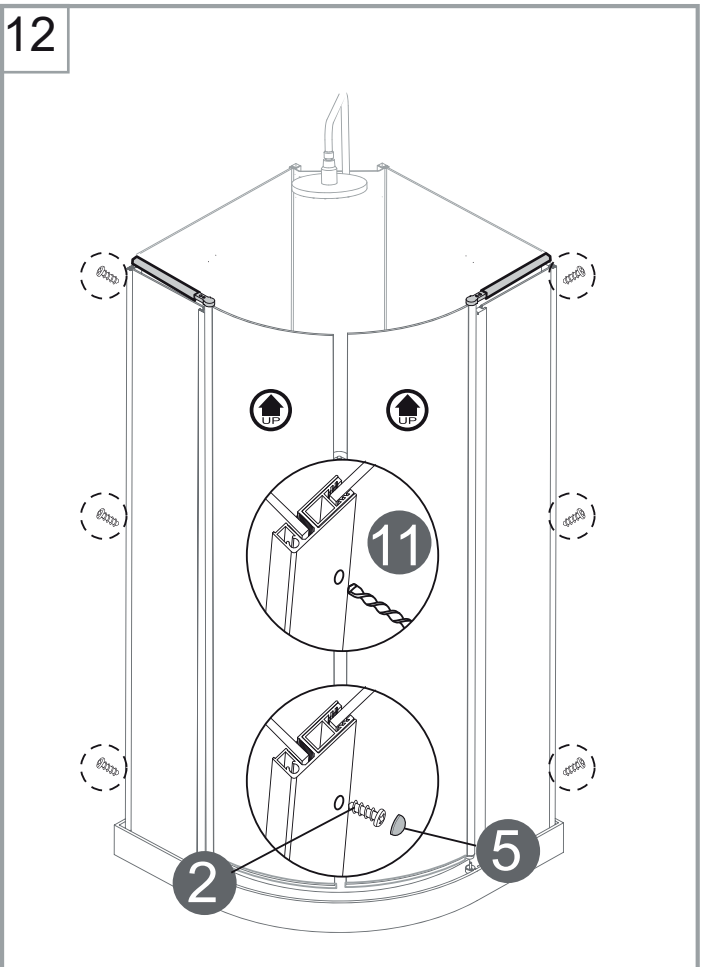
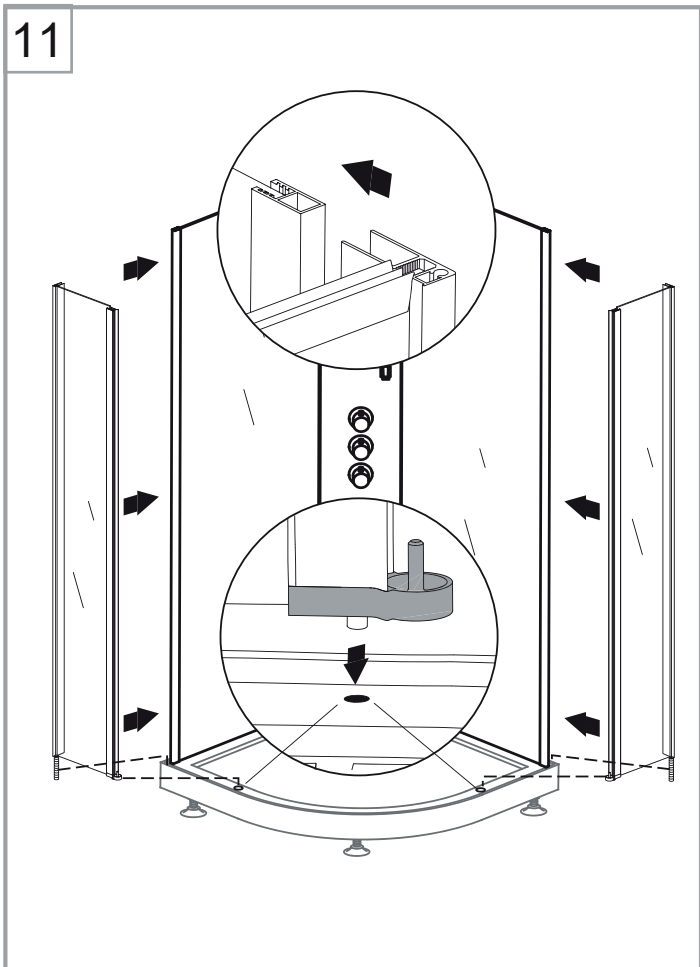
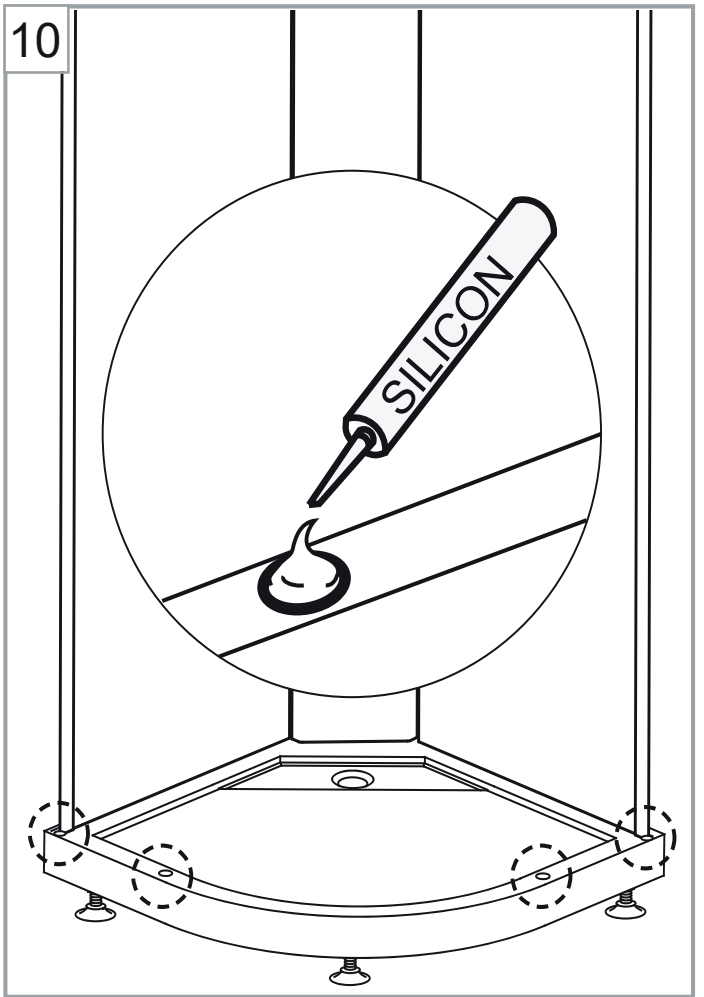
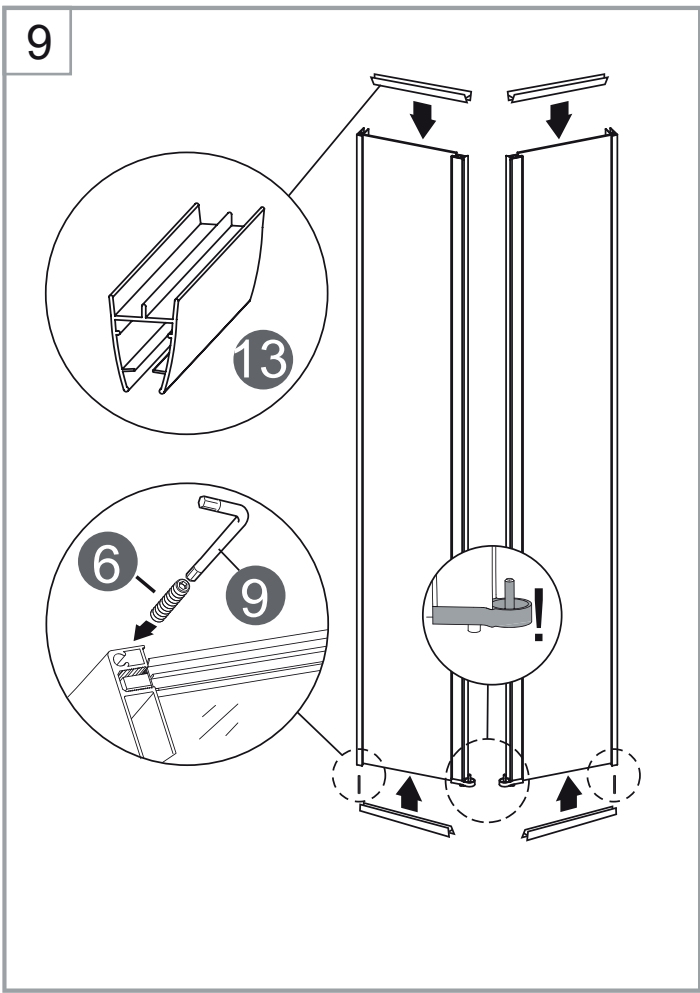


7

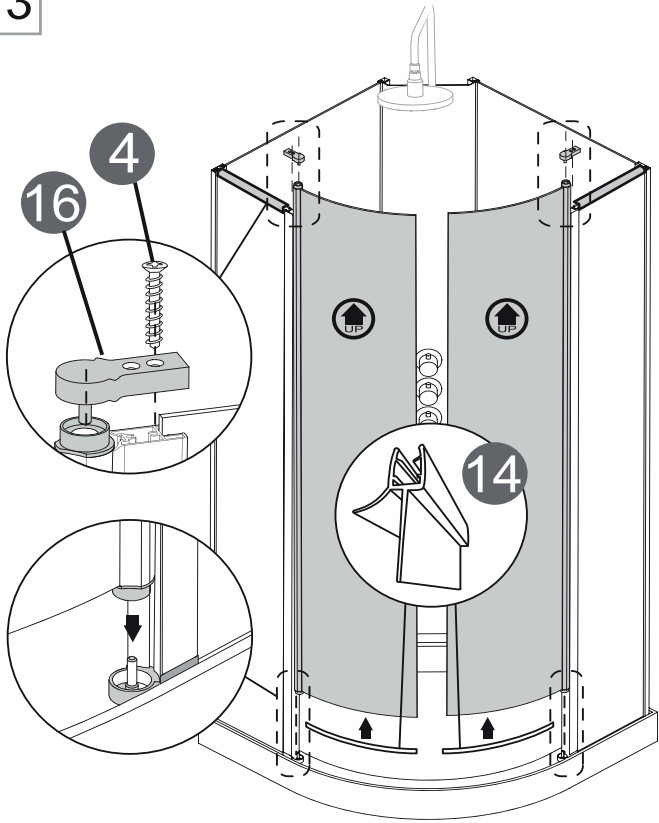


8

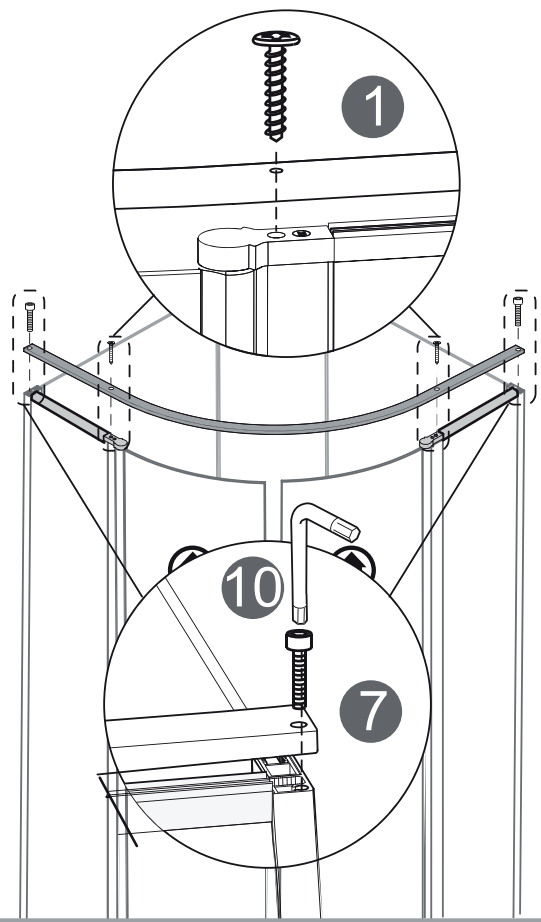




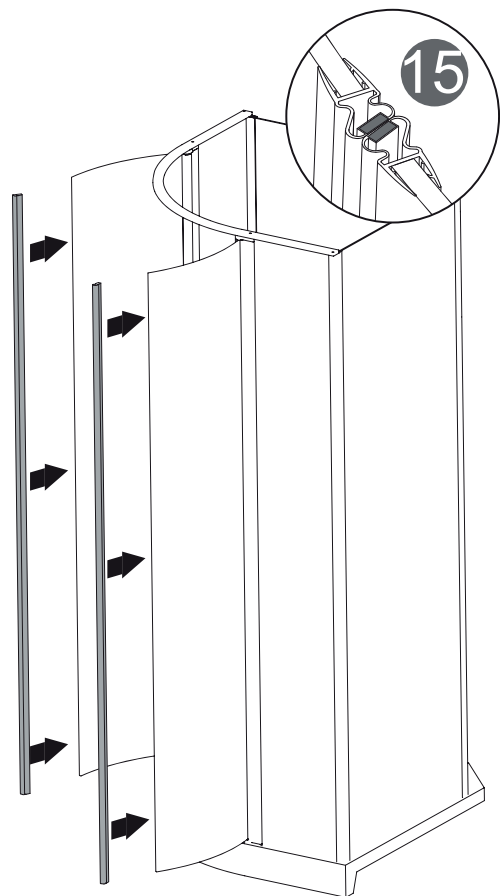
13



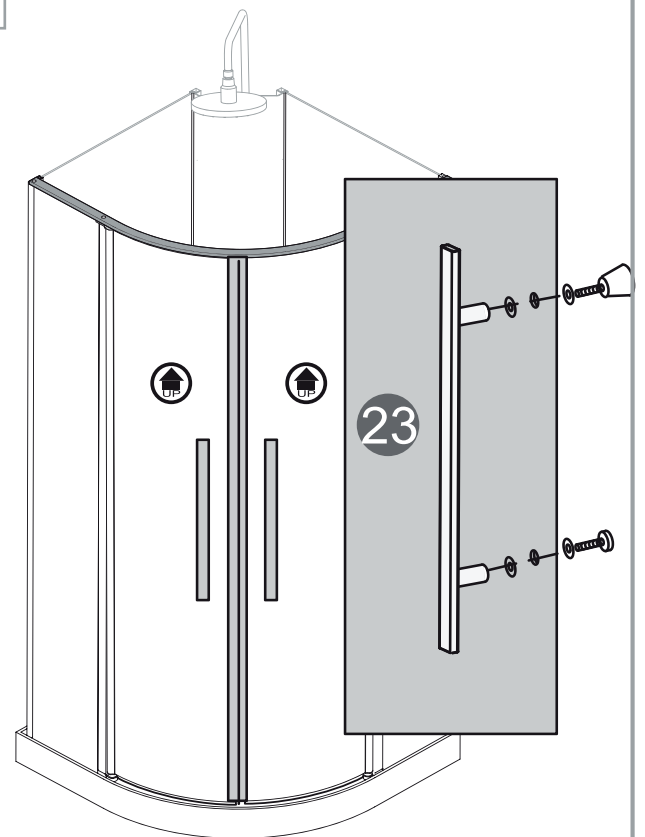
14



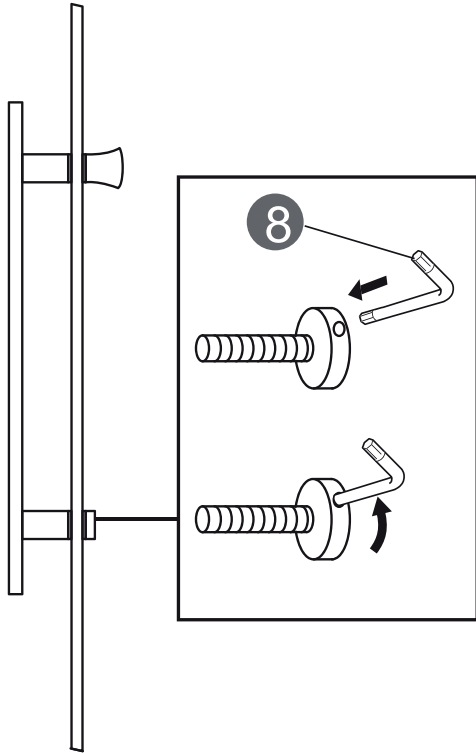
15



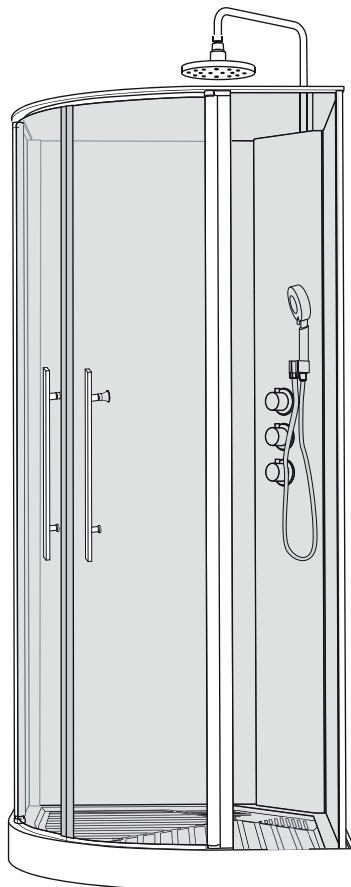
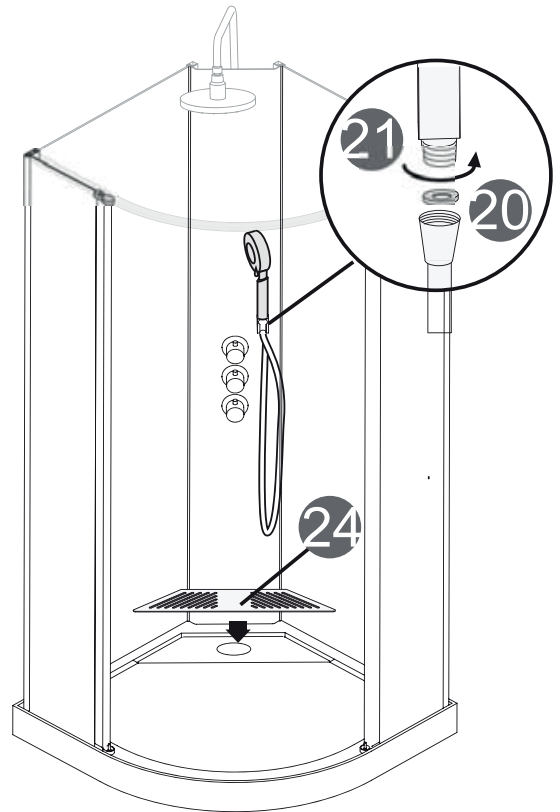
16



17



18



# WAVE

035 166430 **SE**  
info@noro.se

020 7435740 **FI**  
info@norokylpyhuone.fi

21 62 88 60 **NO**  
info@noro.se

70 252822 **DK**  
info@noro.dk

Ver.005